



US00D932057S

(12) **United States Design Patent** (10) **Patent No.:** **US D932,057 S**
Golledge et al. (45) **Date of Patent:** **** Sep. 28, 2021**

(54) **STAKE**
(71) Applicant: **BFRE Pty Ltd.**, Bowral (AU)
(72) Inventors: **Lyndon James Golledge**, Bowral (AU);
Malcolm Alexander Golledge, Bowral (AU)
(73) Assignee: **BFRE Pty Ltd.**, Bowral (AU)
(**) Term: **15 Years**
(21) Appl. No.: **29/638,302**
(22) Filed: **Feb. 26, 2018**
(30) **Foreign Application Priority Data**
Aug. 27, 2017 (AU) 201715065
(51) **LOC (13) Cl.** **25-01**
(52) **U.S. Cl.**
USPC **D25/126**
(58) **Field of Classification Search**
USPC D25/125-136; D8/354, 307, 310, 313,
D8/316, 317, 321, 322, 349, 355, 356,
D8/380, 383, 384, 403, 1, 391, 499;
D21/468, 471, 478, 479, 840; D3/10
CPC E04C 2003/0421; E04C 2003/0434; E04C
2003/0452; E04C 3/06; E04C 2003/023;
E04C 2003/0413; E04C 3/14; B32B
15/043; B32B 2419/00; B32B 2607/00;
B32B 2607/02; E04B 1/5812; E04B
2001/2457; E04B 1/34326; E04B
2001/5856; E04B 2001/5875; E04B 1/19;
E04B 1/24; E04B 1/41; E04H 12/2238;
E04H 12/2246; E04H 12/2269; E04H
17/20; E04H 17/22; E04H 17/18; E04H
1/00; E04H 15/34; E04H 15/646; E04H
12/22; E01F 9/692; E04F 13/12; E04F
13/0889; Y10T 403/349; Y10T 403/347;
Y10T 403/341; Y10S 135/909; E06B
9/52

See application file for complete search history.

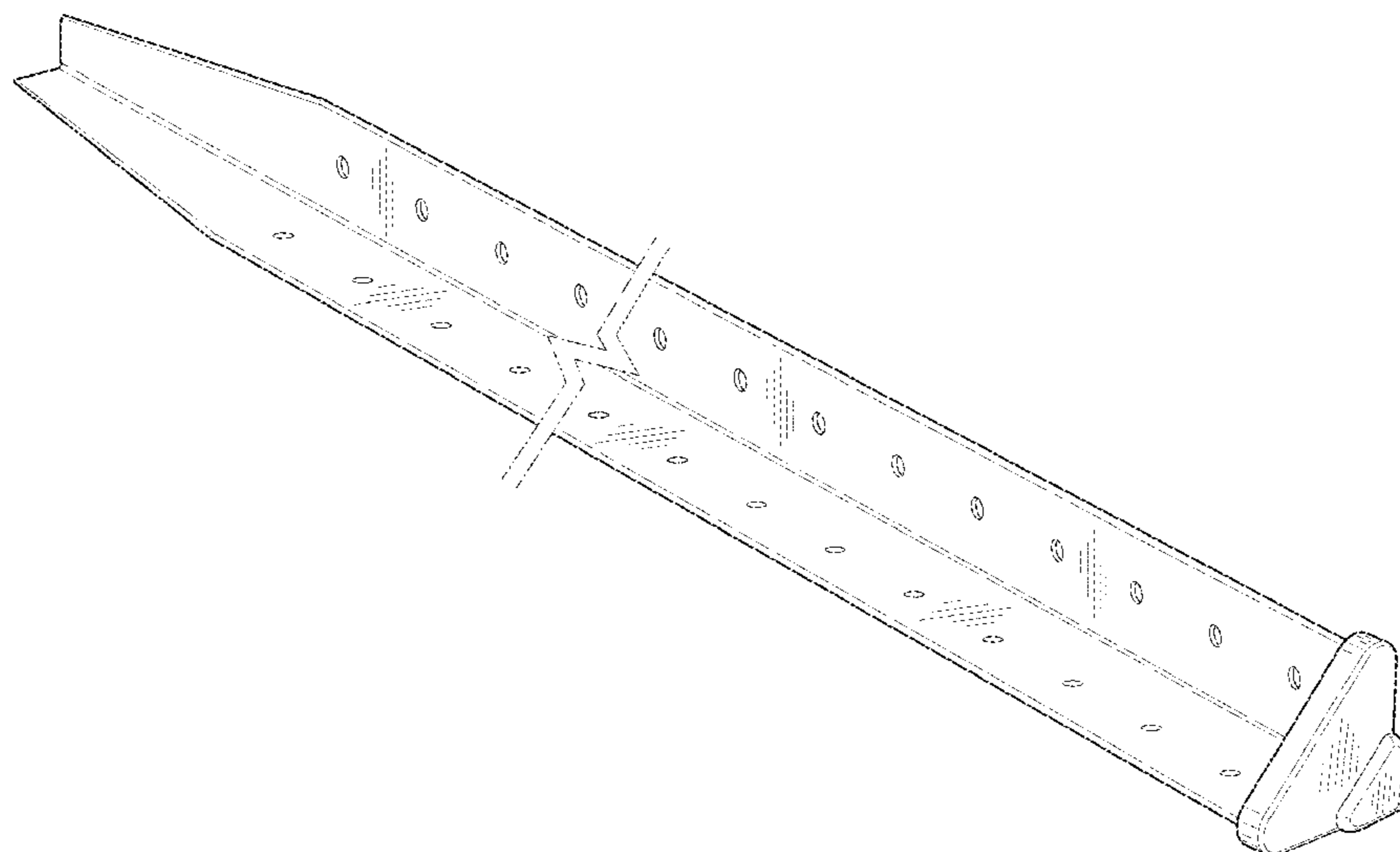
(56) **References Cited**
U.S. PATENT DOCUMENTS
D243,614 S * 3/1977 Russo D25/126
D282,104 S * 1/1986 Taylor D25/131
D549,853 S * 8/2007 Walker D25/131
D575,415 S * 8/2008 Charette D25/133
D579,585 S * 10/2008 Walker D25/131
7,472,874 B2 * 1/2009 Gross E04H 12/2215
135/118
D674,256 S * 1/2013 Charette D8/1
D682,054 S 5/2013 Gary
D702,515 S 4/2014 Garber
D710,661 S * 8/2014 Lu D8/1
(Continued)

Primary Examiner — Samantha Q Lawrence
(74) *Attorney, Agent, or Firm* — Craft Chu PLLC;
Andrew W. Chu

(57) **CLAIM**
The ornamental design for a stake, as shown and described.

DESCRIPTION
FIG. 1 is a front upper perspective view of the stake showing my design.
FIG. 2 is a front lower perspective view thereof.
FIG. 3 is a side elevation view thereof;
FIG. 4 is another side elevation view, showing the stake rotated 90 degrees from the view of FIG. 3;
FIG. 5 is a top plan view thereof;
FIG. 6 is a bottom plan view thereof;
FIG. 7 is another side elevation view, showing the stake rotated 90 degrees from the view of FIG. 4; and,
FIG. 8 is another side elevation view, showing the stake rotated 90 degrees from the view of FIG. 7.
The stake is shown with a symbolic break in its length. The appearance of any portion of the article between the break lines forms no part of the claimed design.

1 Claim, 5 Drawing Sheets



(56)

References Cited

U.S. PATENT DOCUMENTS

D725,296 S * 3/2015 Taylor D25/126
D725,297 S * 3/2015 Taylor D25/126
D742,187 S 11/2015 Thompson
D798,678 S * 10/2017 Walsh D8/1
D842,056 S * 3/2019 Golledge D8/1
D874,890 S * 2/2020 Lazarov D8/1
2017/0301265 A1* 10/2017 Kyle G09F 7/18

* cited by examiner

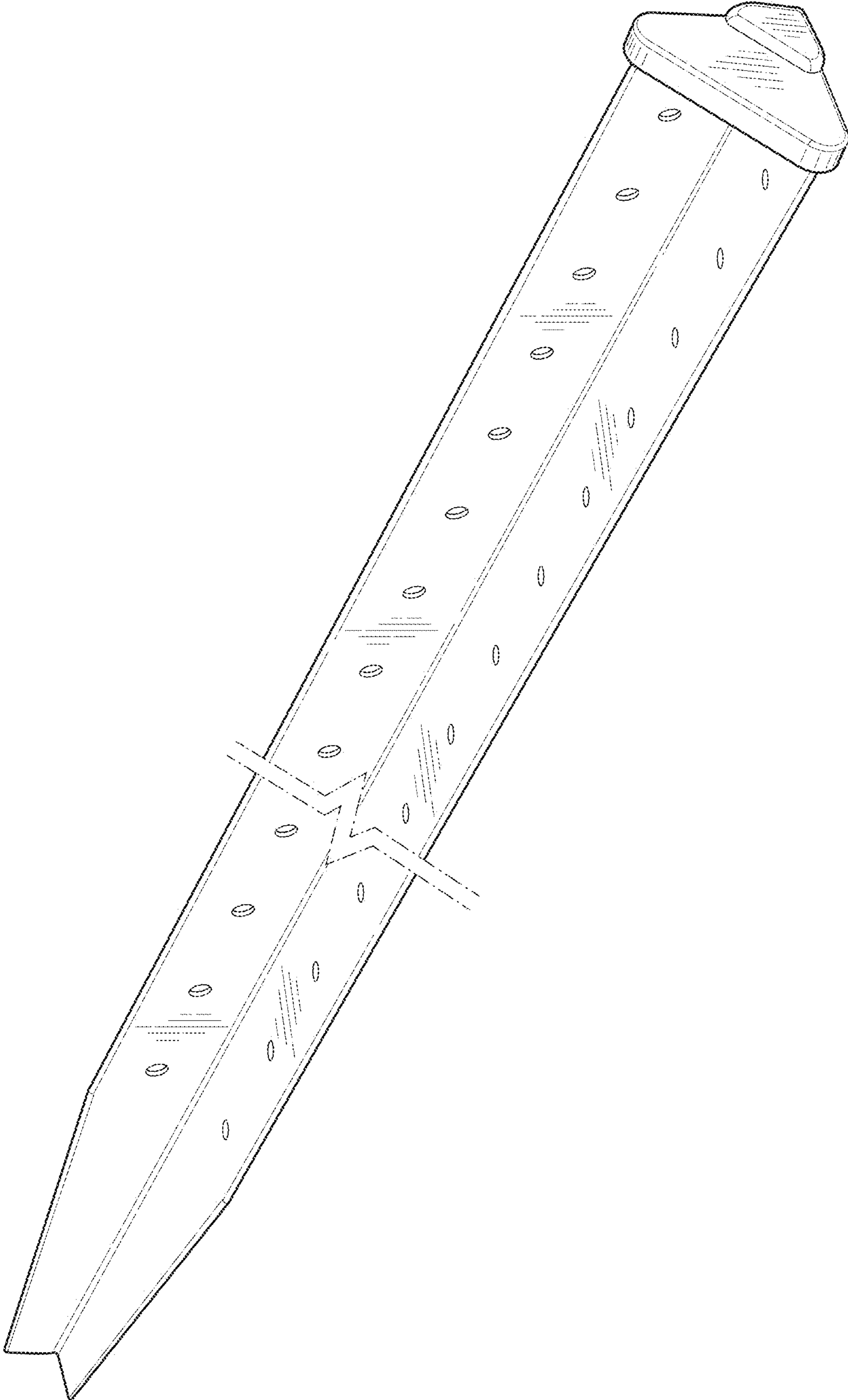


FIG. 1

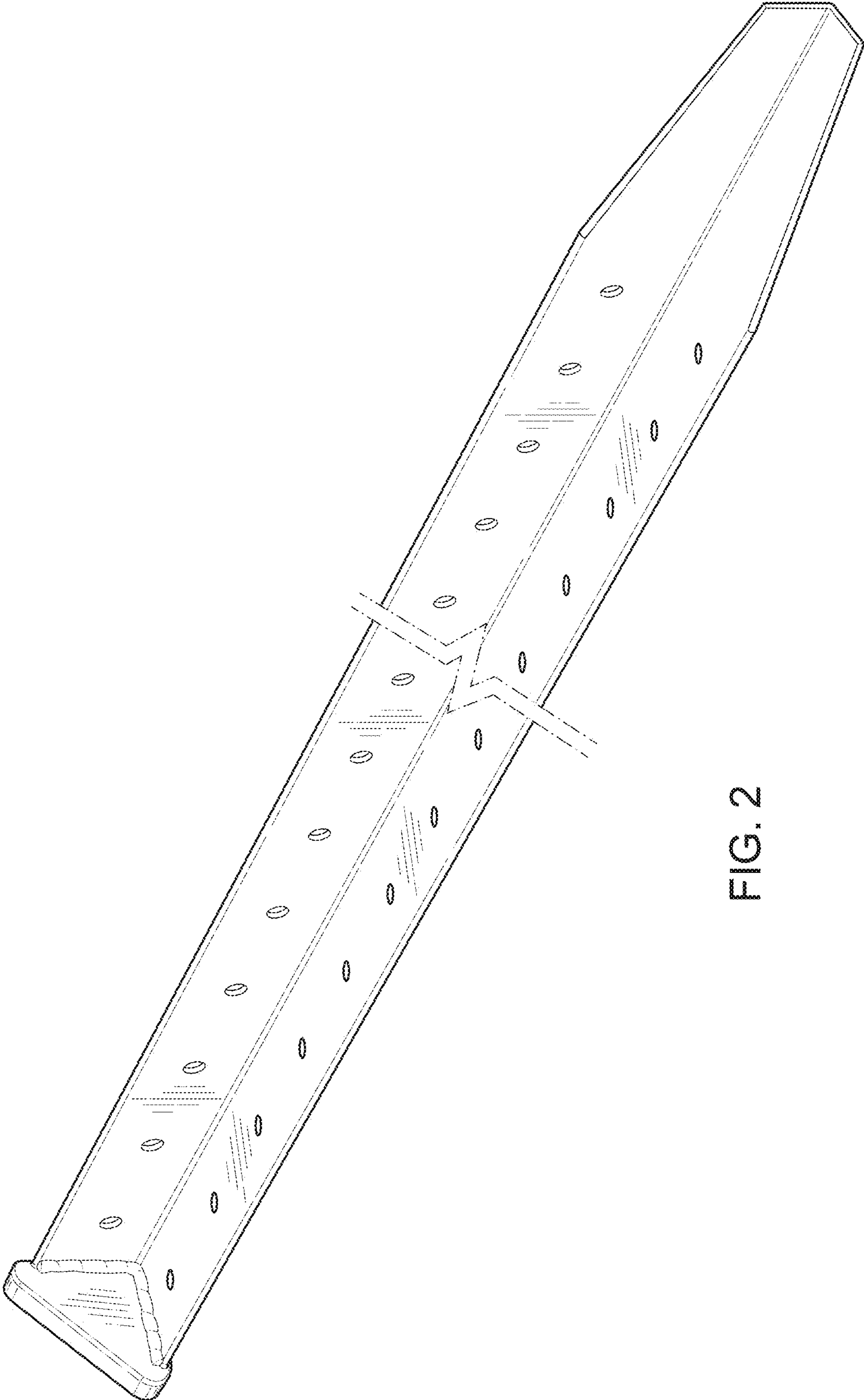


FIG. 2

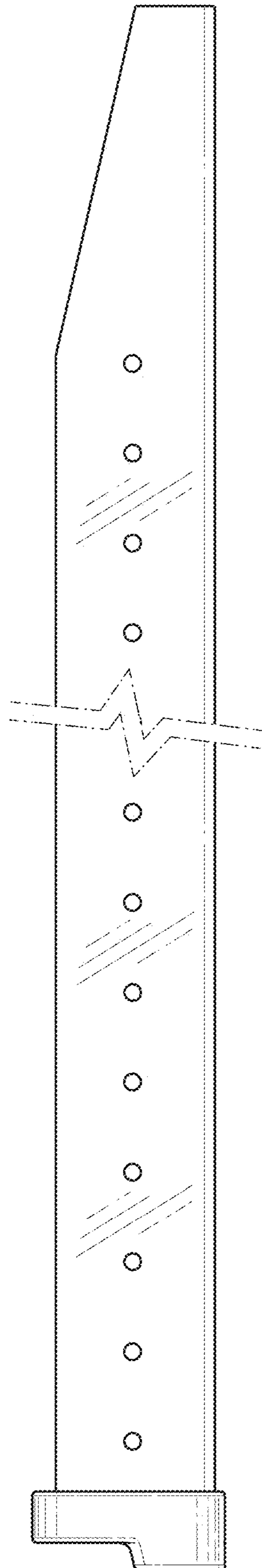


FIG. 3

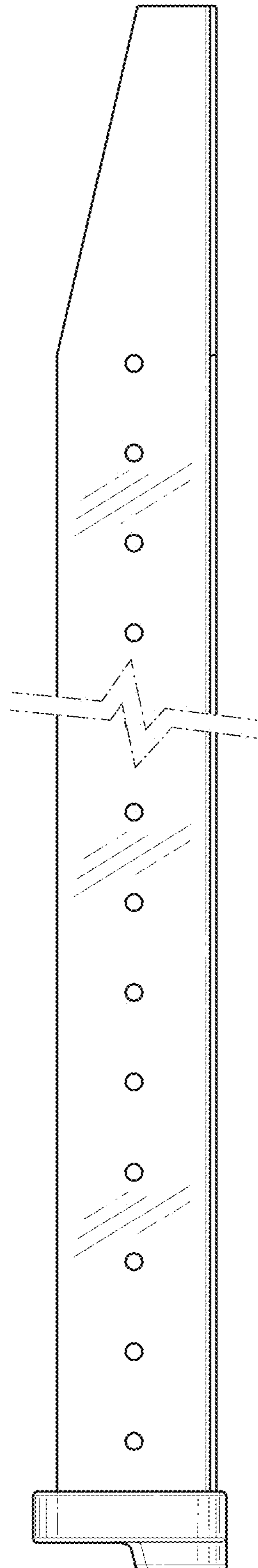


FIG. 4

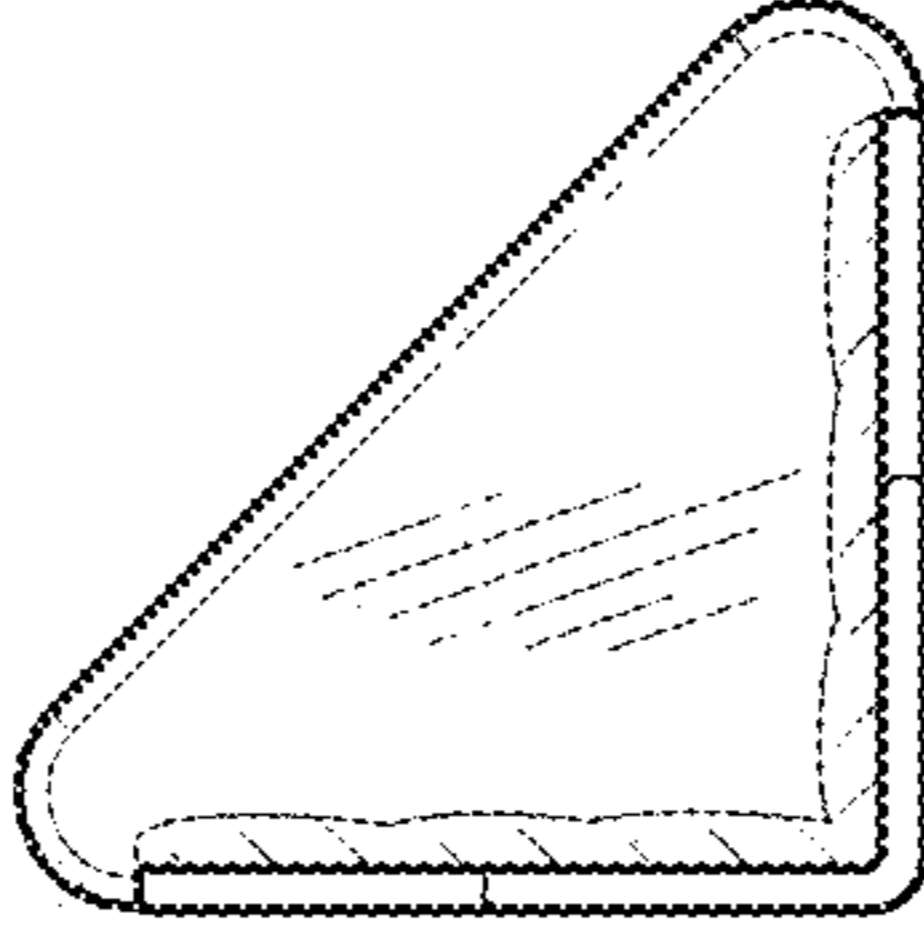


FIG. 5

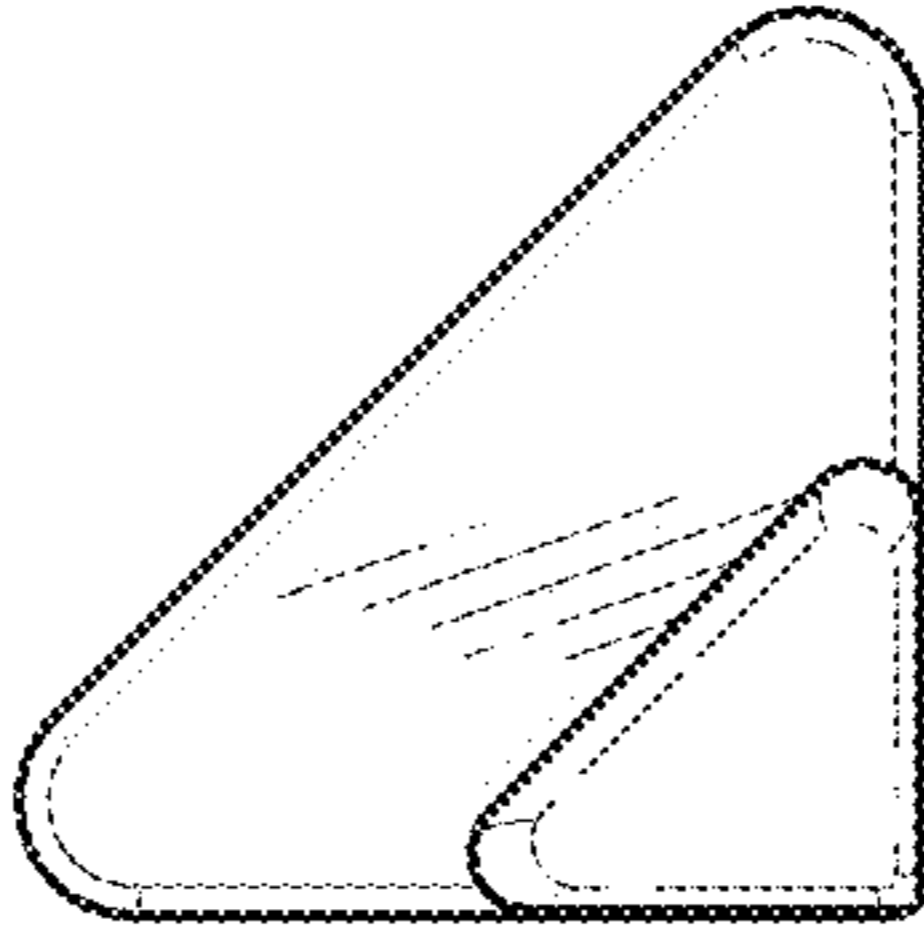


FIG. 6

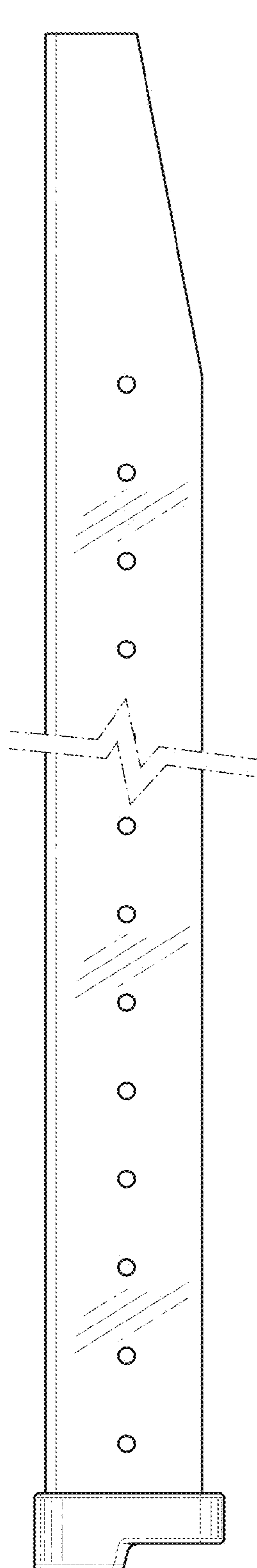


FIG. 7

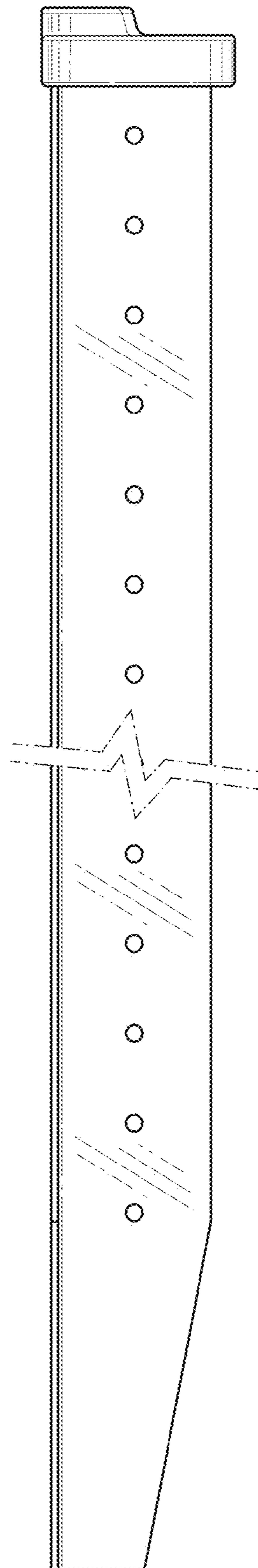


FIG. 8