



US00D932051S

(12) **United States Design Patent** (10) **Patent No.:** **US D932,051 S**
Masuda et al. (45) **Date of Patent:** **** Sep. 28, 2021**

(54) **ANALYSIS CHIP FOR BIOCHEMICAL TESTING MACHINE**

(71) Applicant: **KYOCERA Corporation**, Kyoto (JP)

(72) Inventors: **Yuji Masuda**, Yasu (JP); **Masashi Yoneta**, Kagoshima (JP)

(73) Assignee: **KYOCERA CORPORATION**, Kyoto (JP)

(**) Term: **15 Years**

(21) Appl. No.: **29/704,290**

(22) Filed: **Sep. 3, 2019**

(30) **Foreign Application Priority Data**

Aug. 30, 2019 (JP) 2019-019350

(51) **LOC (13) Cl.** **24-01**

(52) **U.S. Cl.**
USPC **D24/225**

(58) **Field of Classification Search**
USPC D24/216, 219, 223–233, 186, 107, 121;
D10/81
CPC B01L 3/5027; B01L 3/508; B01L 3/5085;
B01L 3/50853; B01L 3/50855; B01L
3/50857; G01N 2035/00138; G01N
2035/00158

See application file for complete search history.

(56) **References Cited**

U.S. PATENT DOCUMENTS

D650,090 S *	12/2011	Odeh	D24/225
D678,547 S *	3/2013	Sekizawa	D24/224
D851,275 S *	6/2019	Spuhler	D24/225
D887,998 S *	6/2020	Krasnopolski	D13/182
D888,273 S *	6/2020	Thompson, II	D24/224
2005/0079098 A1 *	4/2005	Matsuda	B01J 19/0093 422/400

2011/0244595 A1 *	10/2011	Chung	G01N 33/4905 436/501
2014/0206073 A1 *	7/2014	Park	B01L 3/5027 435/287.2
2015/0190811 A1 *	7/2015	Tachibana	B01L 3/5027 435/305.1
2015/0352552 A1 *	12/2015	Levenberg	G01N 1/30 435/30
2018/0043320 A1 *	2/2018	Ramsay	B01J 19/0093
2018/0056298 A1 *	3/2018	Iwamoto	B01J 19/0053
2019/0201905 A1 *	7/2019	Bianchessi	B01L 3/563

* cited by examiner

Primary Examiner — Anhdao Doan

(74) *Attorney, Agent, or Firm* — Hauptman Ham, LLP

(57) **CLAIM**

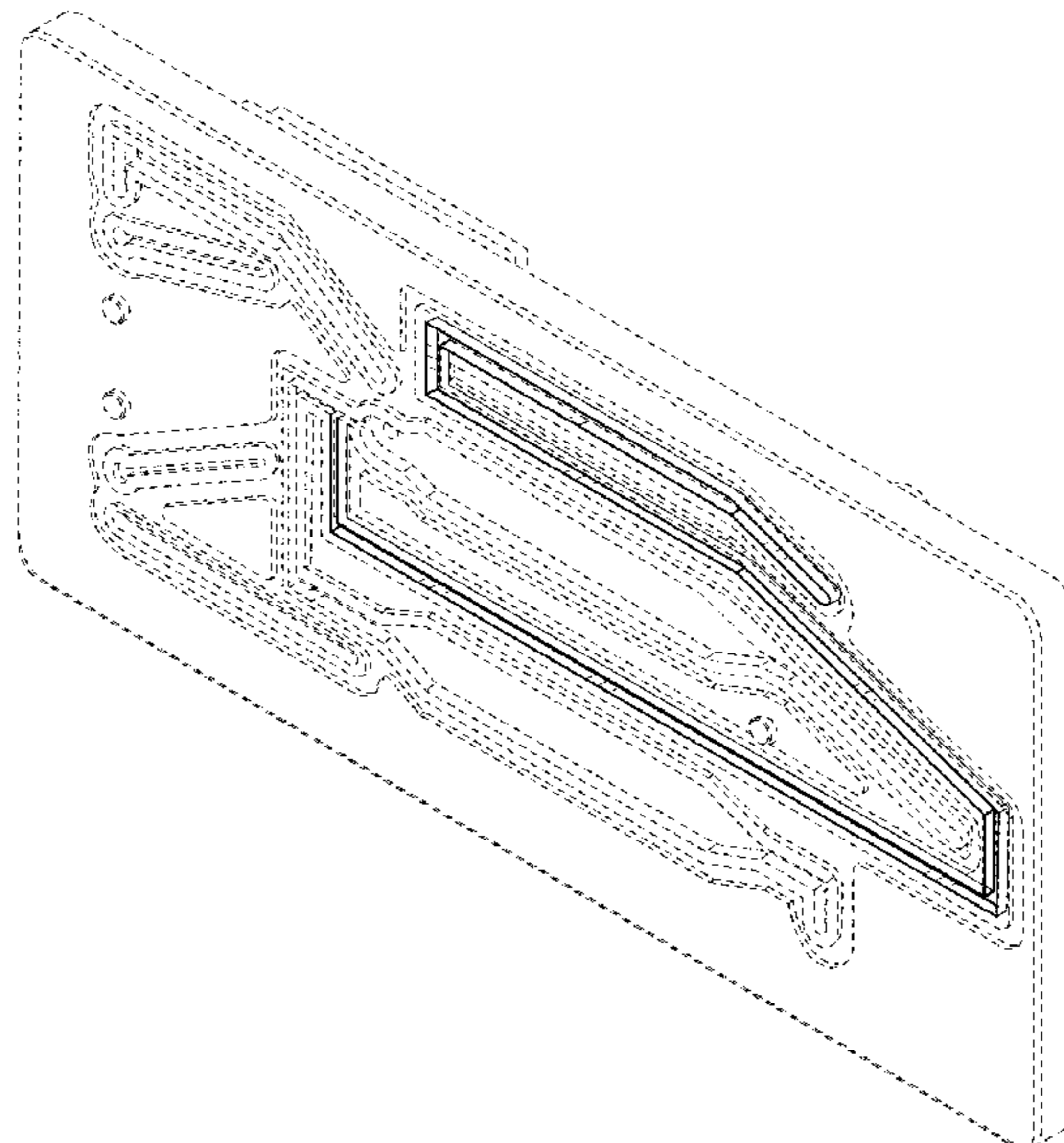
The ornamental design for an analysis chip for biochemical testing machine, as shown and described.

DESCRIPTION

FIG. 1 is a front view of an analysis chip for biochemical testing machine showing our new design;
 FIG. 2 is a rear view thereof;
 FIG. 3 is a left side view thereof;
 FIG. 4 is a right side view thereof;
 FIG. 5 is a top plan view thereof;
 FIG. 6 is a bottom plan view thereof;
 FIG. 7 is a front perspective view thereof;
 FIG. 8 is a rear perspective view thereof;
 FIG. 9 is a sectional view taken from line 9-9 in FIG. 1;
 FIG. 10 is a referential rear view identical to FIG. 2, except that an area 11 to be enlarged in FIG. 11 is indicated by dashed-dotted lines; and,
 FIG. 11 is an enlarged view of the area 11 circumscribed in FIG. 10.

The dashed lines in the drawings depict portions of the analysis chip for biochemical testing machine that form no part of the claimed design.

1 Claim, 6 Drawing Sheets



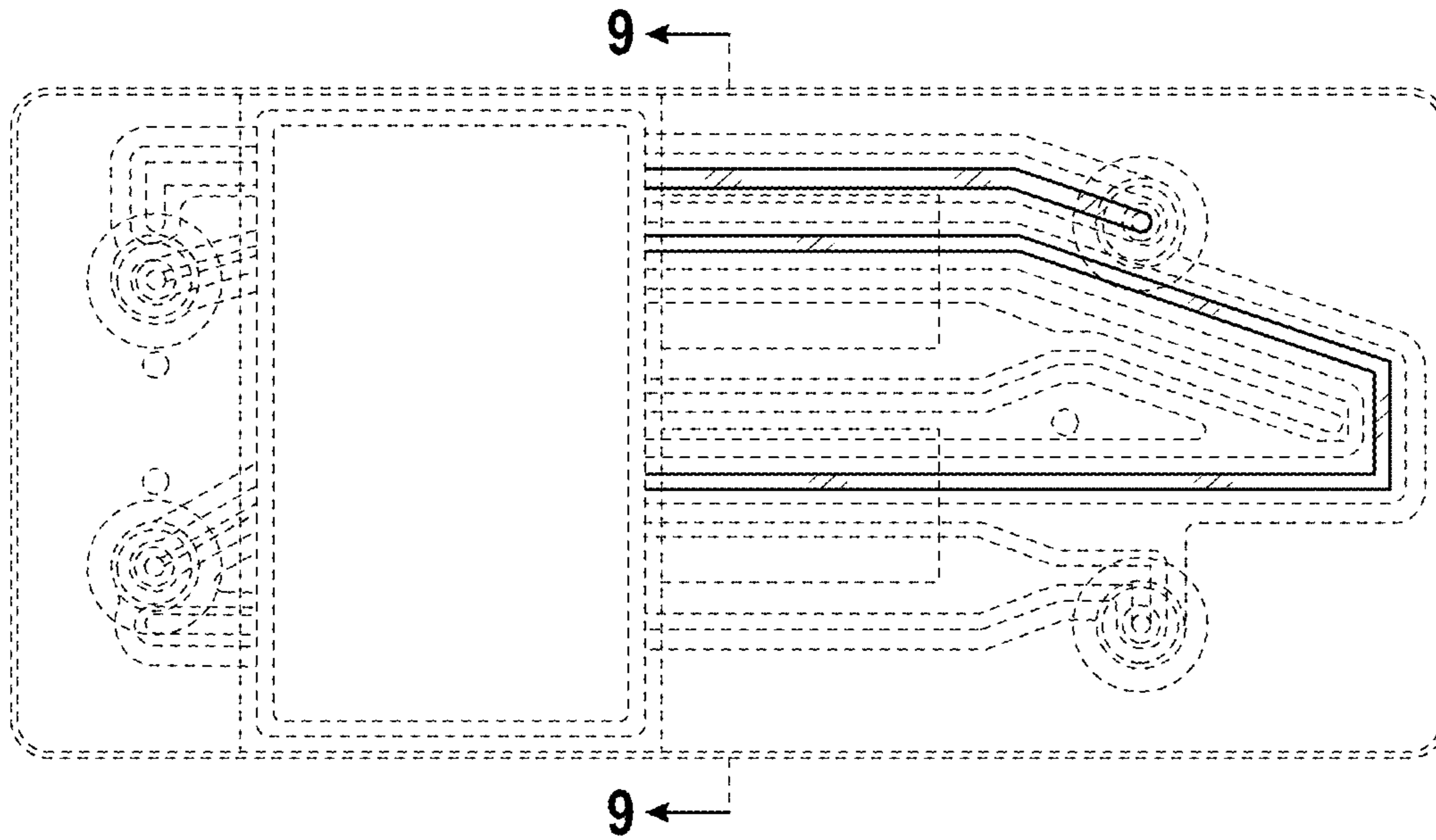


FIG. 1

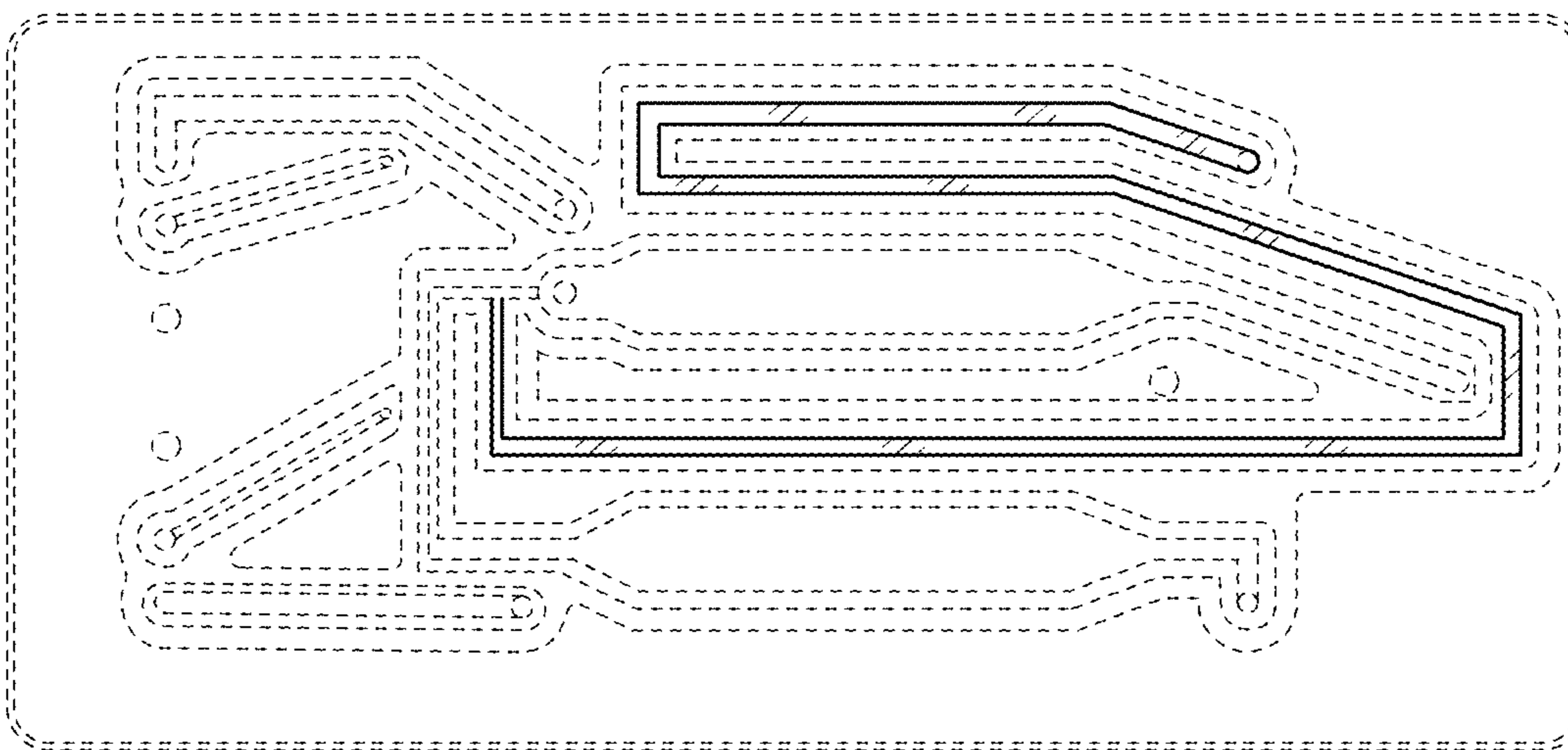


FIG. 2

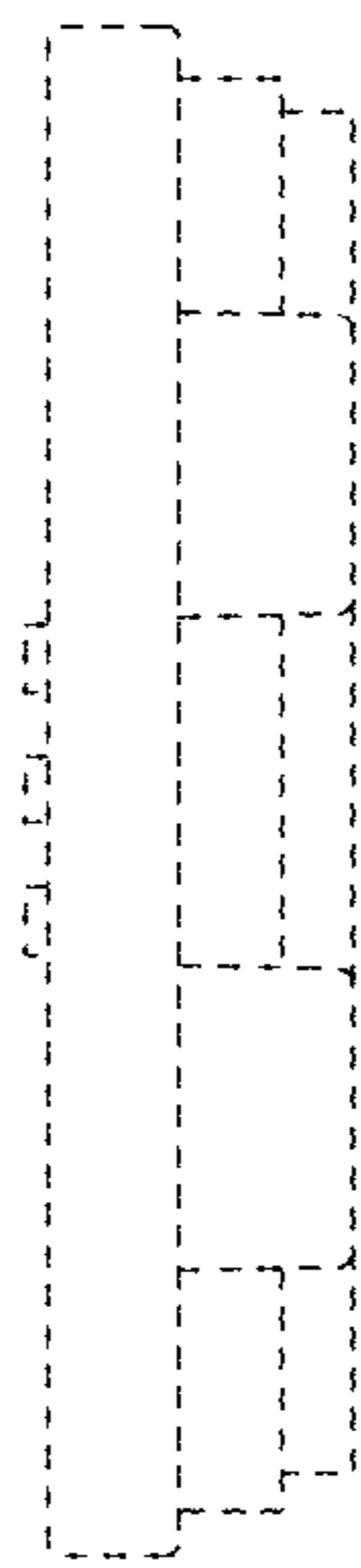


FIG. 3

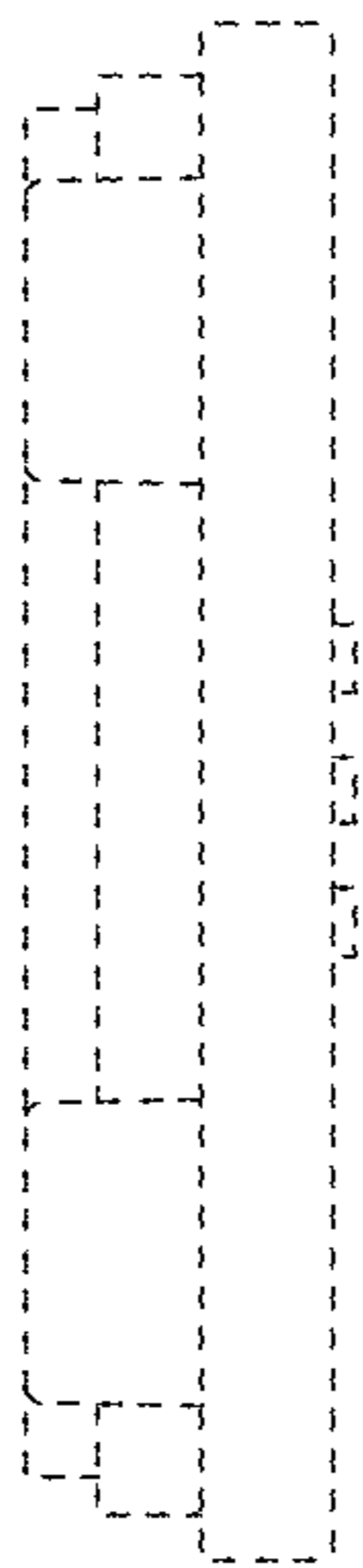


FIG. 4

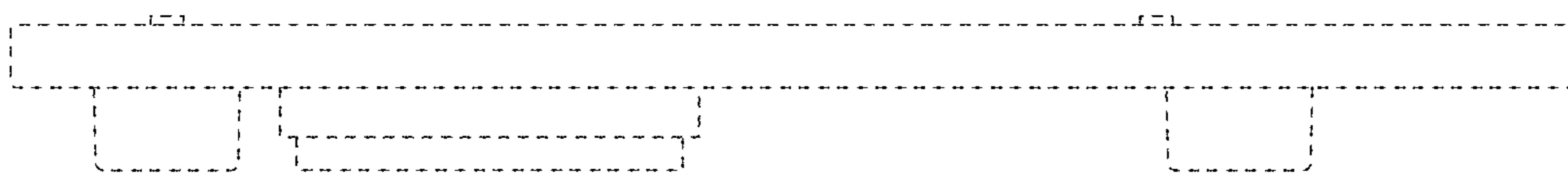


FIG. 5

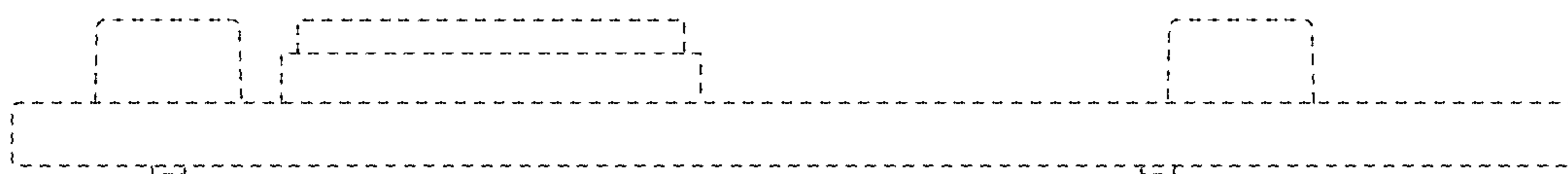


FIG. 6

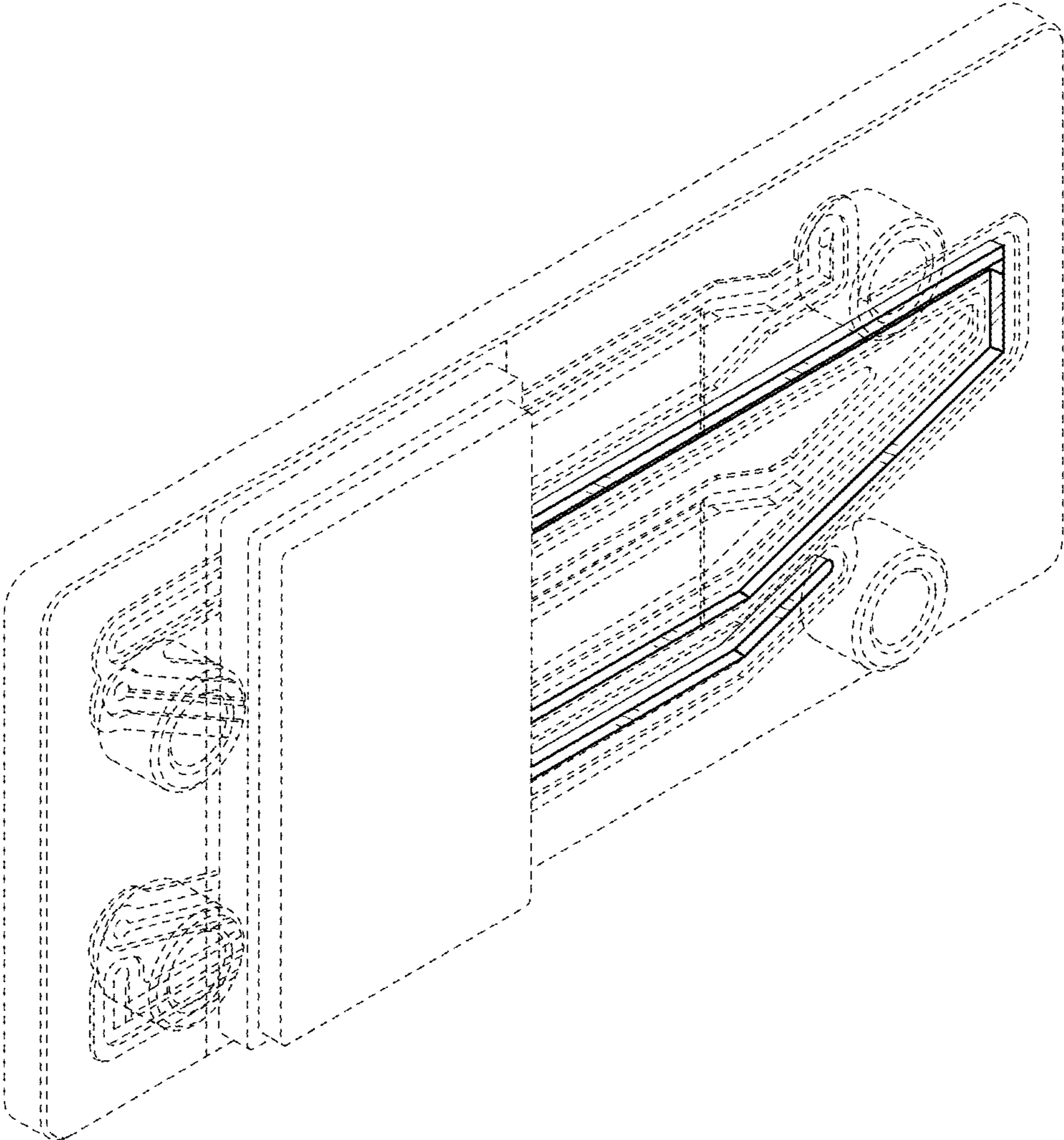


FIG. 7

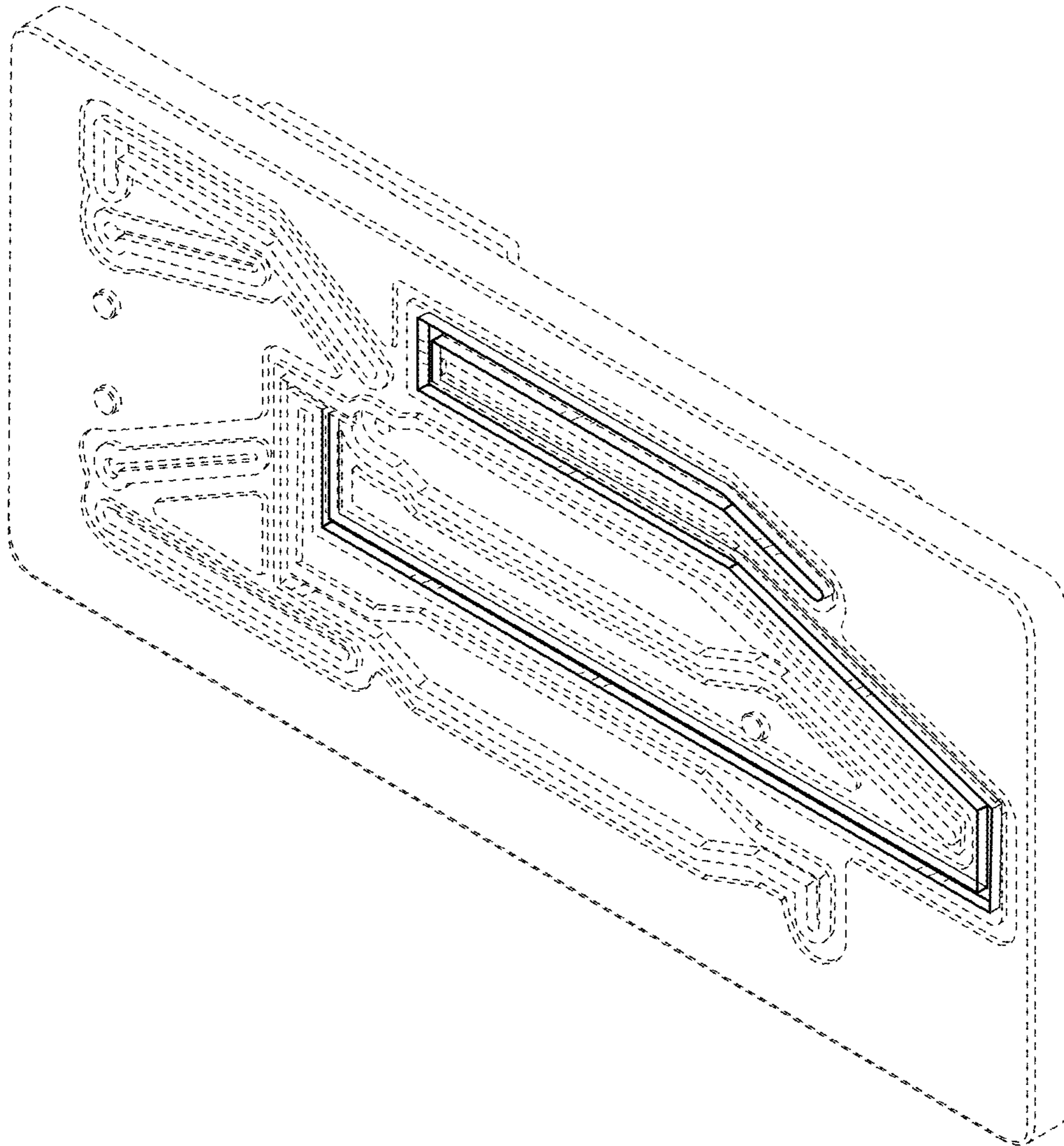


FIG. 8



FIG. 9

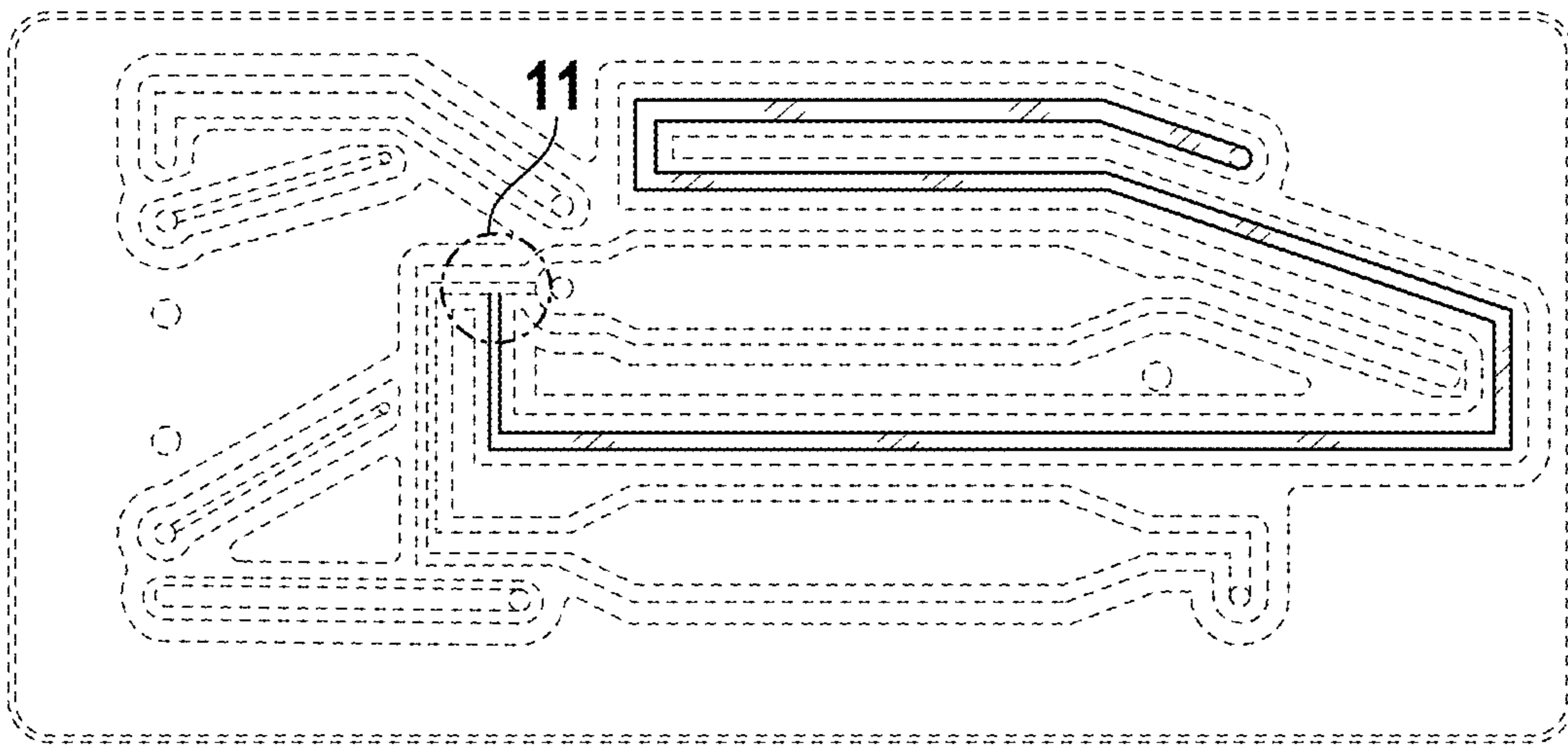


FIG. 10

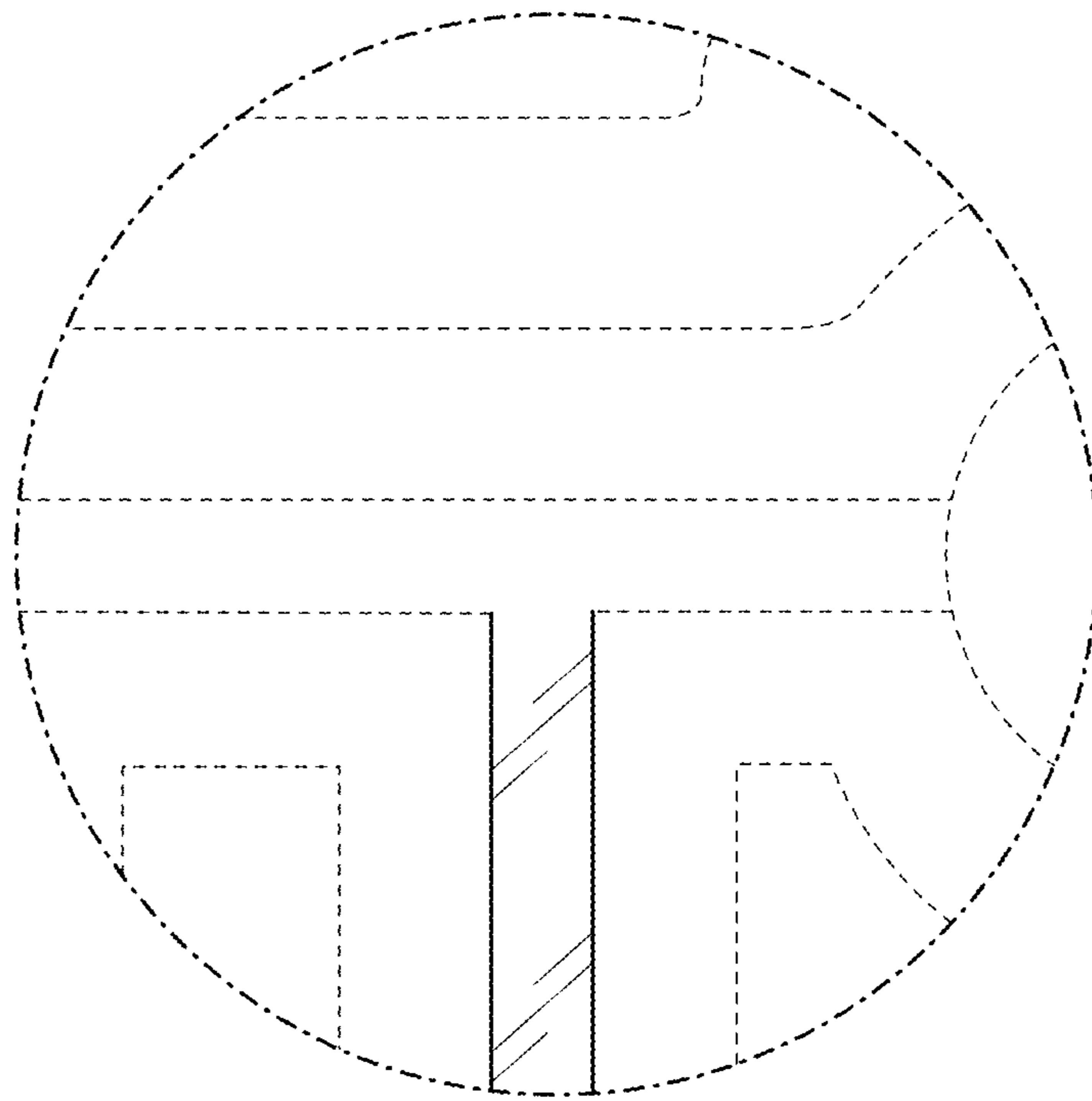


FIG. 11