



US00D932049S

(12) **United States Design Patent** (10) **Patent No.:** **US D932,049 S**
Kuroda et al. (45) **Date of Patent:** **** Sep. 28, 2021**

(54) **VESSEL ASSEMBLY**

(56) **References Cited**

(71) Applicant: **Becton, Dickinson and Company**,
Franklin Lakes, NJ (US)

(72) Inventors: **Melody M. H. Kuroda**, Durham, NC
(US); **Ammon David Lentz**, York, PA
(US); **Dwight Livingston**, Fallston, MD
(US); **Michael Justin Lizzi**,
Stewartstown, PA (US); **Scott N.**
Danhof, Plain City, OH (US); **Gregory**
S. Kramer, Hilliard, OH (US); **Thomas**
D. Haubert, Columbus, OH (US);
Michael L. Marshall, Lewis Center,
OH (US); **James A. Prescott**,
Columbus, OH (US); **Randy J.**
Somerville, Columbus, OH (US); **M.**
Scott Ulrich, Columbus, OH (US)

U.S. PATENT DOCUMENTS

D128,936 S 8/1941 Foley
D240,543 S 7/1976 Dragotta
(Continued)

FOREIGN PATENT DOCUMENTS

WO 20080014223 A2 1/2008
WO 20080116093 A2 9/2008
WO 20080154332 A1 12/2008

OTHER PUBLICATIONS

First Examination Report for India Application No. 248605 dated Dec. 5, 2012.

(Continued)

Primary Examiner — Anhdao Doan
(74) *Attorney, Agent, or Firm* — Lerner, David,
Littenberg, Krumholz & Mentlik, LLP

(73) Assignee: **Becton, Dickinson and Company**,
Franklin Lakes, NJ (US)

(**) Term: **15 Years**

(57) **CLAIM**

(21) Appl. No.: **29/731,147**

The ornamental design for a vessel assembly, as shown and described.

(22) Filed: **Apr. 13, 2020**

Related U.S. Application Data

(63) Continuation of application No. 29/615,045, filed on Aug. 25, 2017, now Pat. No. Des. 881,408, which is
(Continued)

(51) **LOC (13) Cl.** **24-01**

(52) **U.S. Cl.**
USPC **D24/224**

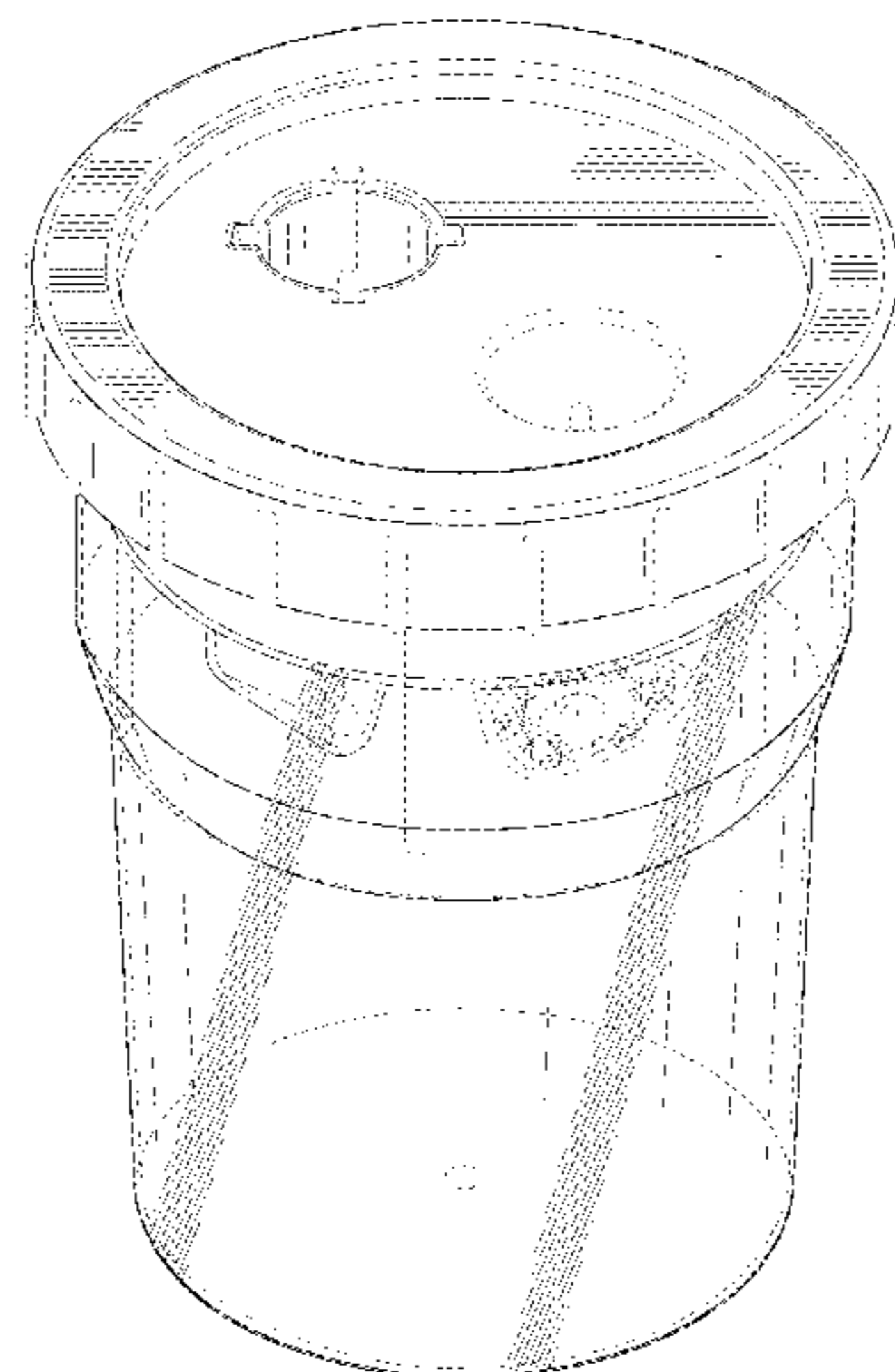
(58) **Field of Classification Search**
USPC D24/216, 223–233, 186, 107, 121;
D10/81

(Continued)

DESCRIPTION

FIG. 1 is a perspective view of a vessel assembly according to our new design;
FIG. 2 is a front view thereof;
FIG. 3 is a right side view thereof;
FIG. 4 is a rear view thereof;
FIG. 5 is a left side view thereof;
FIG. 6 is a top view thereof; and,
FIG. 7 is a bottom view thereof.
The broken lines immediately adjacent the shaded areas represent the bounds of the claimed design while all other

(Continued)



broken lines are directed to environment and are for illustrative purposes only; the broken lines form no part of the claimed design.

1 Claim, 7 Drawing Sheets

Related U.S. Application Data

a continuation of application No. 29/528,570, filed on May 29, 2015, now Pat. No. Des. 796,687, which is a continuation of application No. 29/449,681, filed on Mar. 15, 2013, now Pat. No. Des. 731,672, which is a continuation of application No. 29/418,181, filed on Apr. 12, 2012, now Pat. No. Des. 690,826.

(58) **Field of Classification Search**

CPC B01L 3/5029; B01L 3/508; B01L 3/5082; B01L 3/50825; B01L 2300/046; B01L 2300/047; B01L 2300/049; B01L 2300/0832; A61B 10/0051; A61B 10/007; A61B 10/0074; A61B 10/0038; A61B 10/0096

See application file for complete search history.

(56) **References Cited**

U.S. PATENT DOCUMENTS

4,852,560	A	8/1989	Hermann, Jr. et al.
D306,266	S	2/1990	Hargrove et al.
D319,314	S	8/1991	Crouch
5,119,830	A	6/1992	Davis
5,312,009	A	5/1994	Ratajczak et al.
D351,904	S	10/1994	Maze
D359,128	S	6/1995	Kesling
D360,698	S	7/1995	Stevens et al.
D370,263	S	5/1996	Falkenberg et al.
5,624,814	A	4/1997	Waters et al.
5,976,895	A	11/1999	Cipkowski
D424,440	S	5/2000	Wilkinson et al.
6,149,868	A	11/2000	Natan et al.
D435,906	S	1/2001	Wilkinson et al.
6,254,830	B1	7/2001	Pivarnik et al.
6,344,272	B1	2/2002	Oldenburg et al.
6,514,767	B1	2/2003	Natan
6,630,355	B1	10/2003	Pivarnik et al.
6,645,777	B1	11/2003	Letcher et al.
6,685,986	B2	2/2004	Oldenburg et al.
6,699,724	B1	3/2004	West et al.
D488,233	S	4/2004	Ellsworth et al.
D494,279	S	8/2004	Cogan et al.
6,770,488	B1	8/2004	Carron et al.
6,858,440	B1	2/2005	Letcher et al.
6,861,263	B2	3/2005	Natan
6,899,850	B2	5/2005	Haywood et al.
D506,261	S	6/2005	Hellstrom
6,913,825	B2	7/2005	Ostafin et al.
7,002,679	B2	2/2006	Brady et al.
D520,643	S	5/2006	Clarke et al.
D522,145	S	5/2006	Best et al.
7,192,778	B2	3/2007	Natan
D544,610	S	6/2007	Ouchi et al.

D574,507	S	8/2008	Muir et al.
7,497,340	B2	3/2009	Hershberger et al.
7,723,100	B2	5/2010	Natan et al.
D617,910	S	6/2010	Horton et al.
D624,194	S	9/2010	Pack et al.
D641,866	S	7/2011	Burgess et al.
D642,282	S	7/2011	Bargh
D644,323	S	8/2011	Burgess et al.
D651,322	S	12/2011	Svard
D656,236	S *	3/2012	Marechai D24/224
D657,886	S	4/2012	Mayfield et al.
8,163,253	B1	4/2012	Hartselle
D666,736	S	9/2012	Kobayashi
D683,044	S	5/2013	Klein et al.
D690,418	S	9/2013	Rosenquist
D690,826	S *	10/2013	Kuroda D24/224
D694,404	S	11/2013	Burgess et al.
D696,790	S	12/2013	Nemeth
D714,462	S	9/2014	Judson et al.
D731,672	S *	6/2015	Kuroda D24/224
D767,158	S *	9/2016	Wang D24/223
D797,303	S *	9/2017	Wan D24/224
D837,976	S *	1/2019	Kaye D24/121
D842,494	S *	3/2019	Lee D24/224
D848,612	S *	5/2019	Mozzicato D24/121
2003/0017620	A1	1/2003	Carron et al.
2003/0053938	A1	3/2003	Szeles
2005/0106750	A1	5/2005	Tung et al.
2005/0271550	A1	12/2005	Talmer et al.
2006/0038979	A1	2/2006	Natan et al.
2008/0293156	A1	11/2008	Smith
2008/0305489	A1	12/2008	Thomas et al.
2009/0100944	A1	4/2009	Newby
2009/0136384	A1	5/2009	Bucher
2009/0298197	A1	12/2009	Natan et al.
2010/0059461	A1	3/2010	Landsberger et al.
2011/0207231	A1	8/2011	Natan et al.
2012/0058553	A1	3/2012	Haywood et al.
2014/0339191	A1	11/2014	Foroughi

OTHER PUBLICATIONS

First Examination Report for India Application No. 248606 dated Dec. 5, 2012.

First Examination Report for India Application No. 248607 dated Dec. 5, 2012.

First Examination Report for India Application No. 248608 dated Dec. 5, 2012.

Office Action for Australian Application No. 15077/12 dated Oct. 25, 2012.

Office Action for Canadian Application No. 147907 dated May 30, 2013.

Office Action for Japanese Application No. 2012-024886 dated Dec. 3, 2013.

Office Action for Japanese Application No. 2012-024886 dated Jun. 27, 2013.

Office Action for Japanese Application No. 2013-025830 dated Feb. 7, 2014.

Office Action for Japanese Application No. 2013-025830 dated May 23, 2014.

Office Action for Japanese Application No. 2014-0009684 dated May 20, 2014.

Office Action for U.S. Appl. No. 29/462,385 dated Jul. 31, 2014.

* cited by examiner

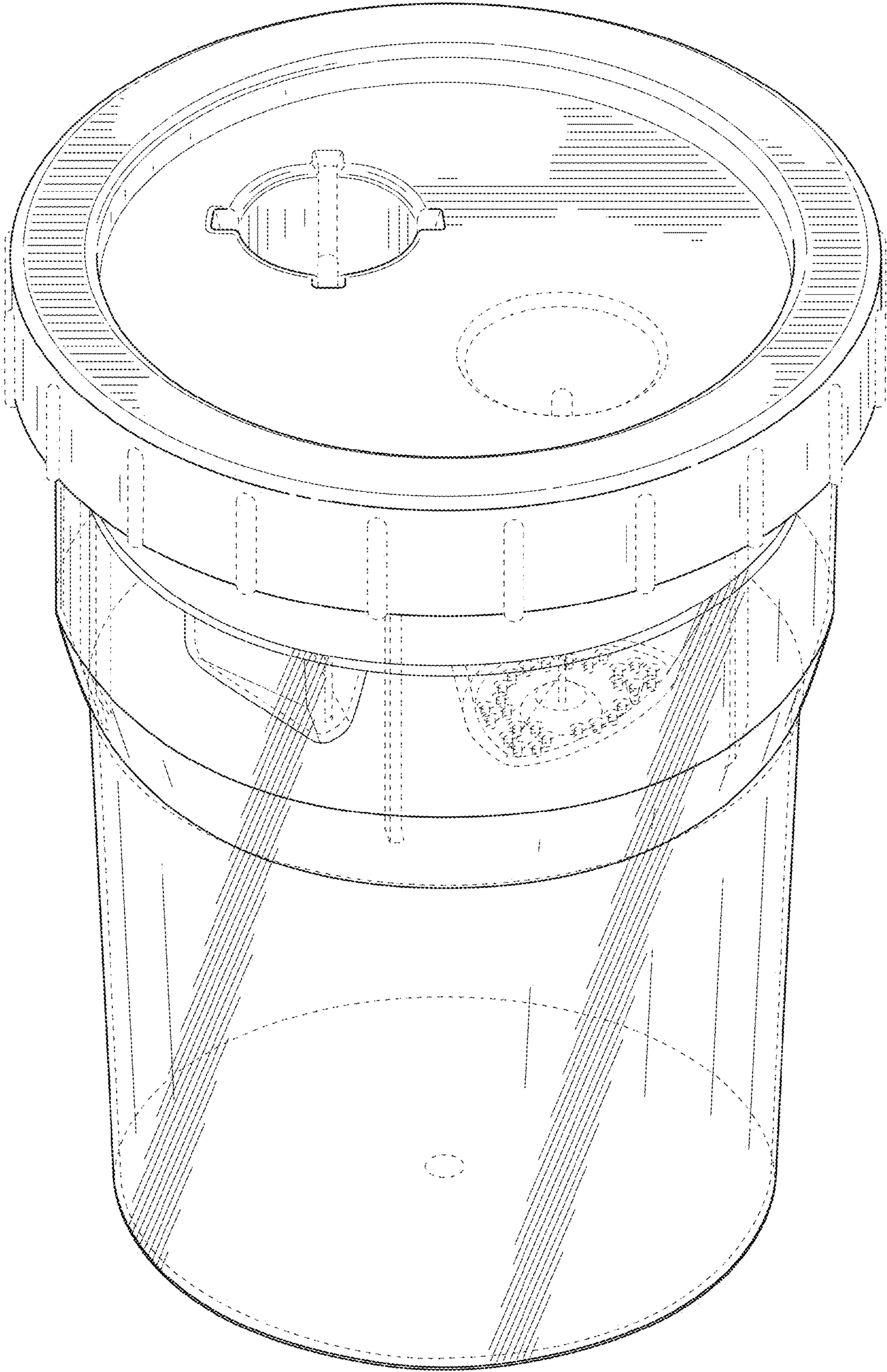


FIG. 1

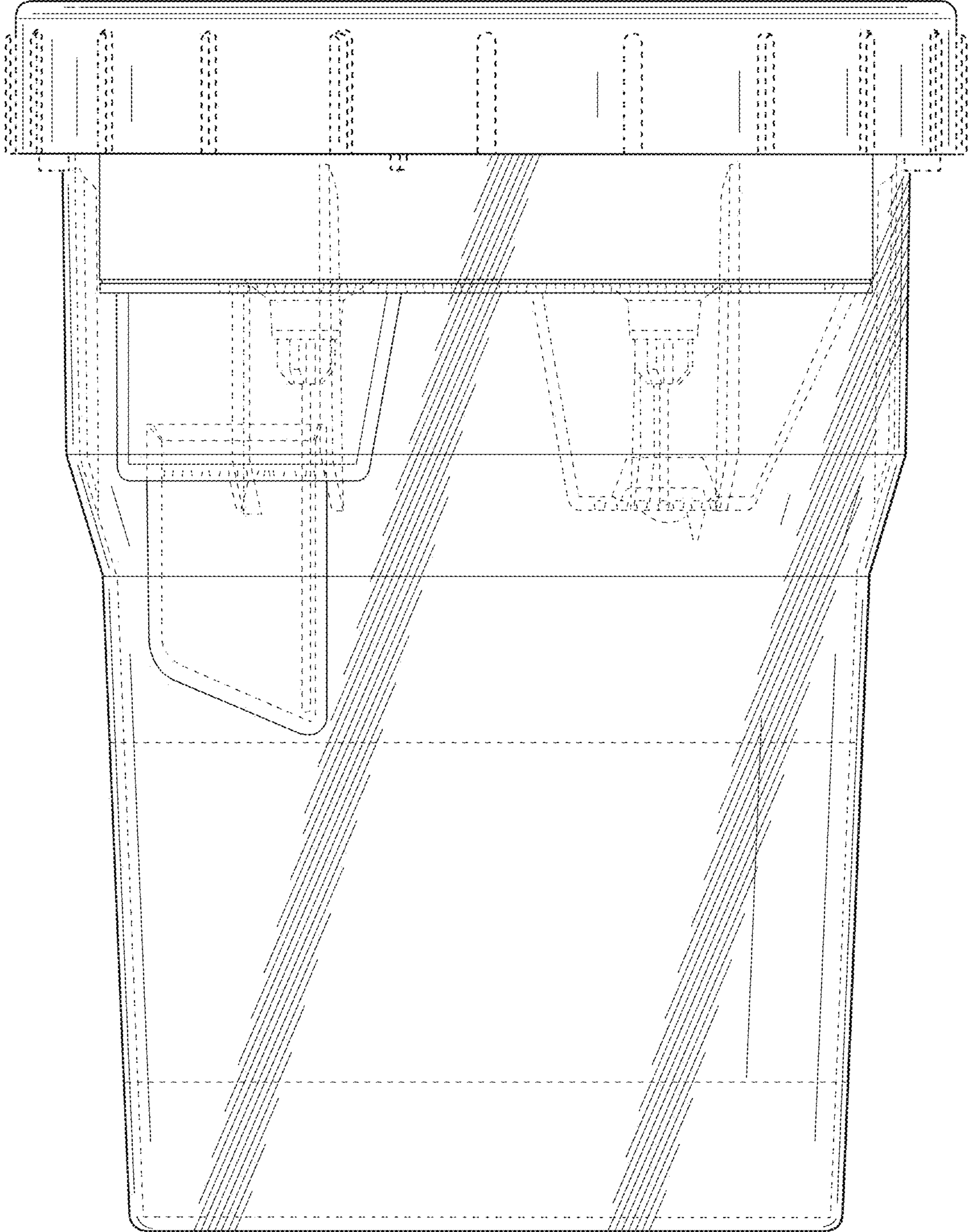


FIG. 2

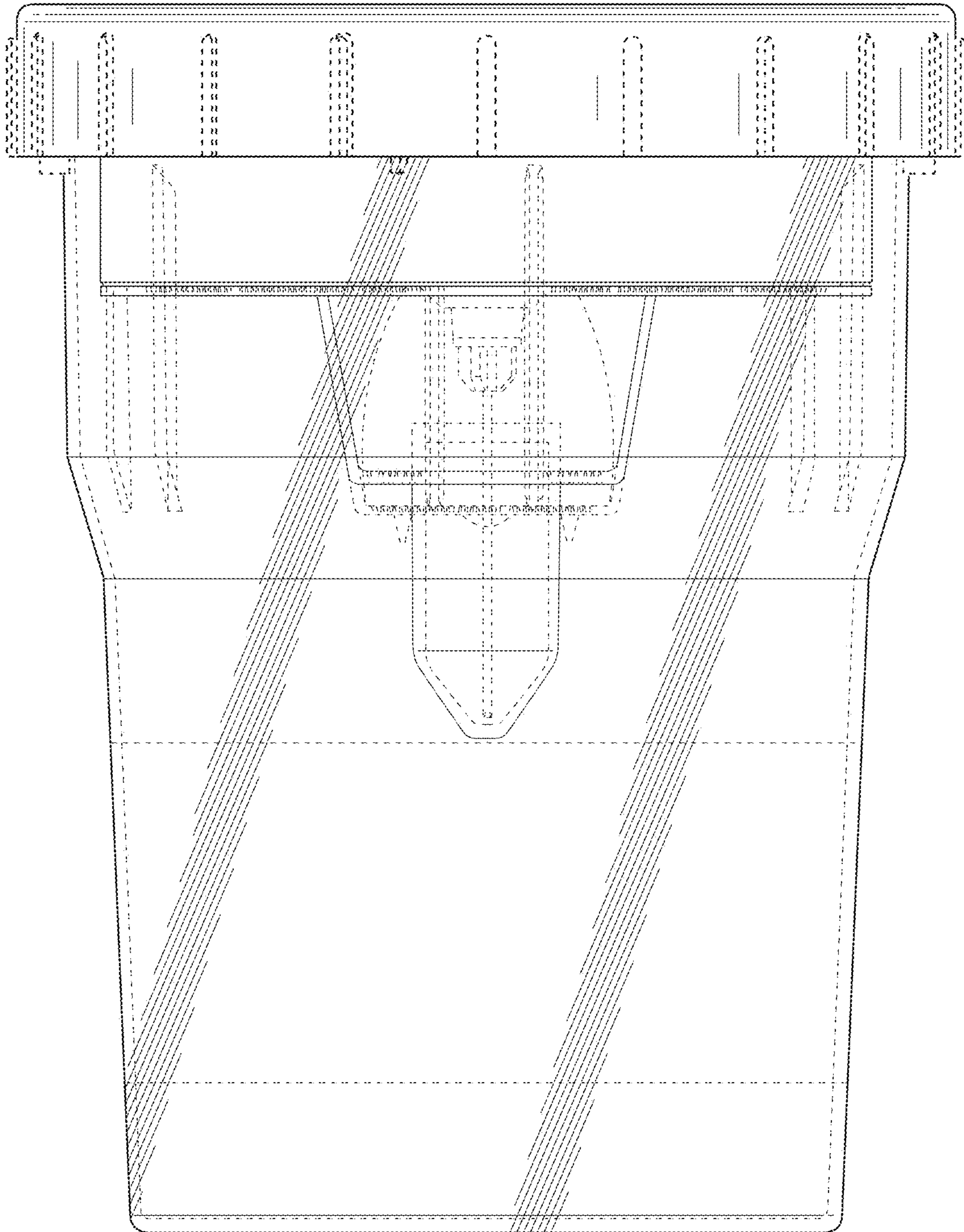


FIG. 3

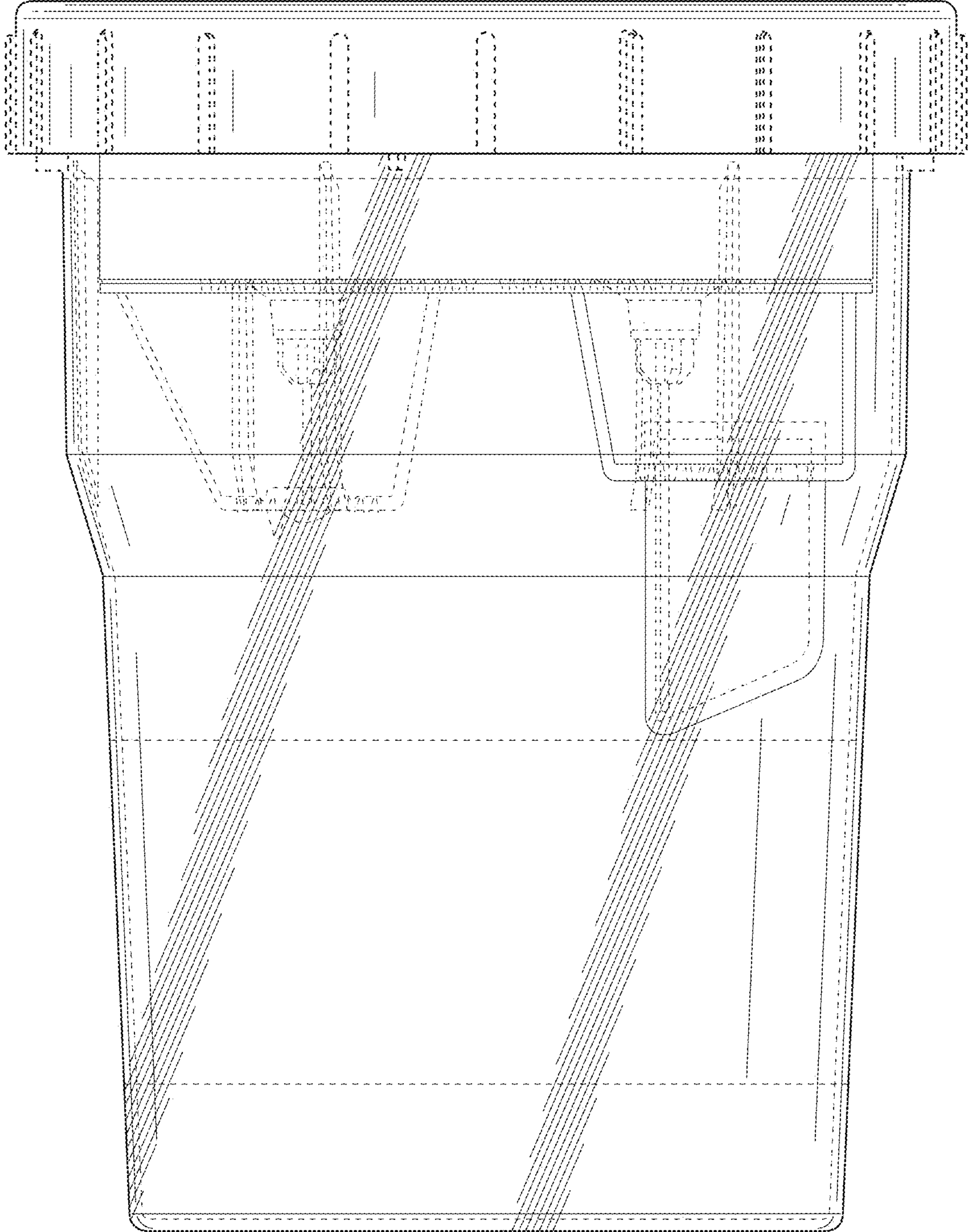


FIG. 4

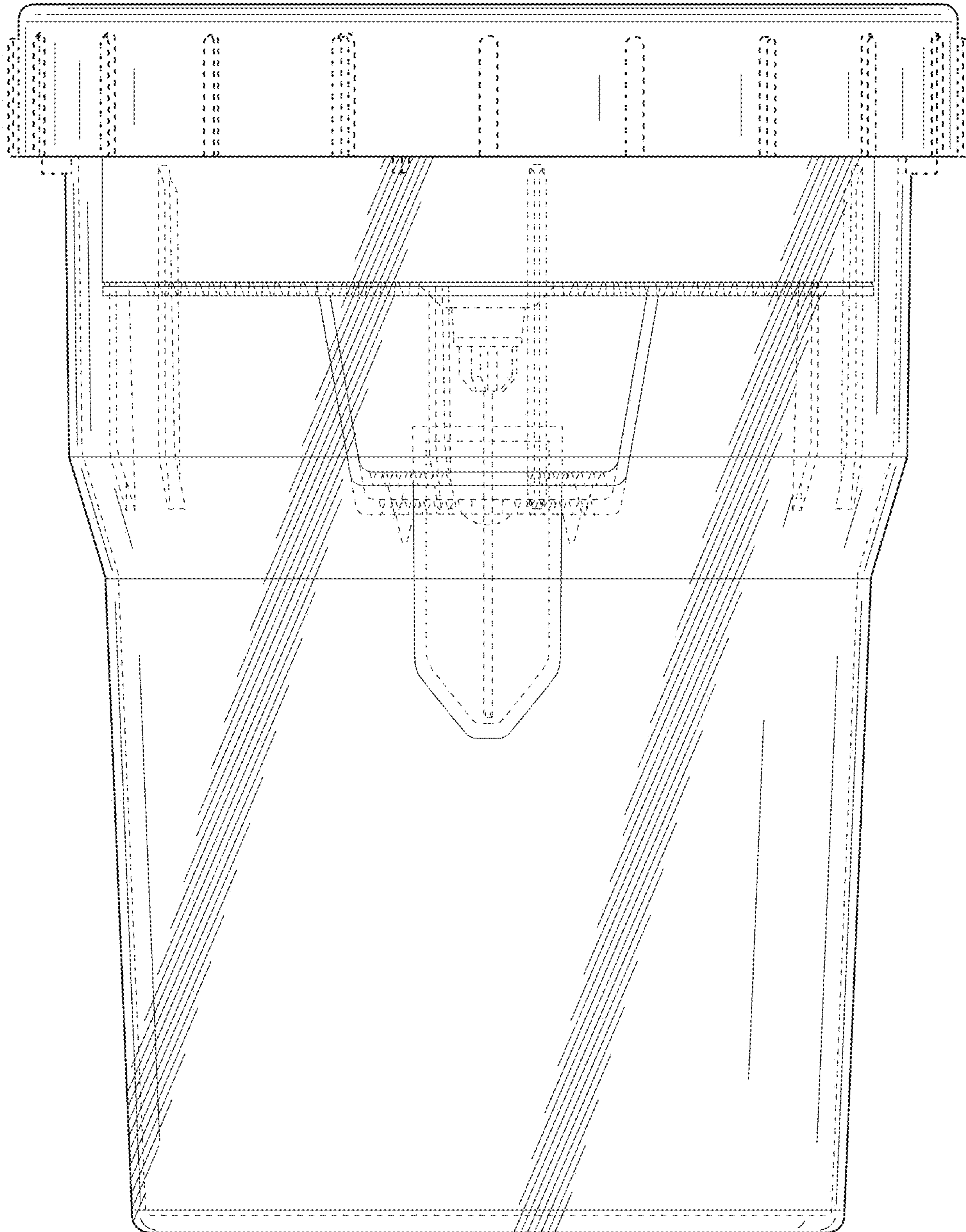


FIG. 5

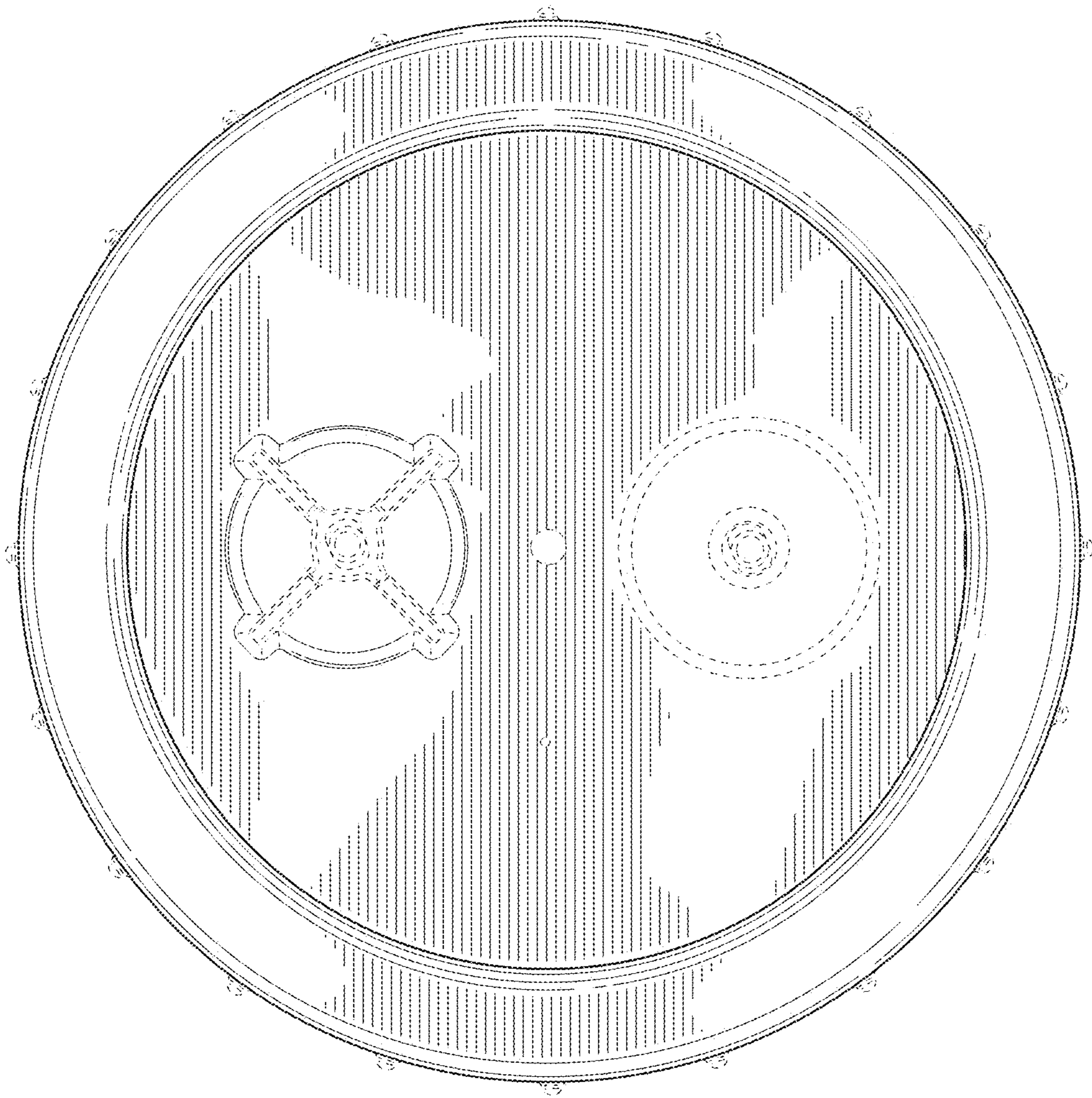


FIG. 6

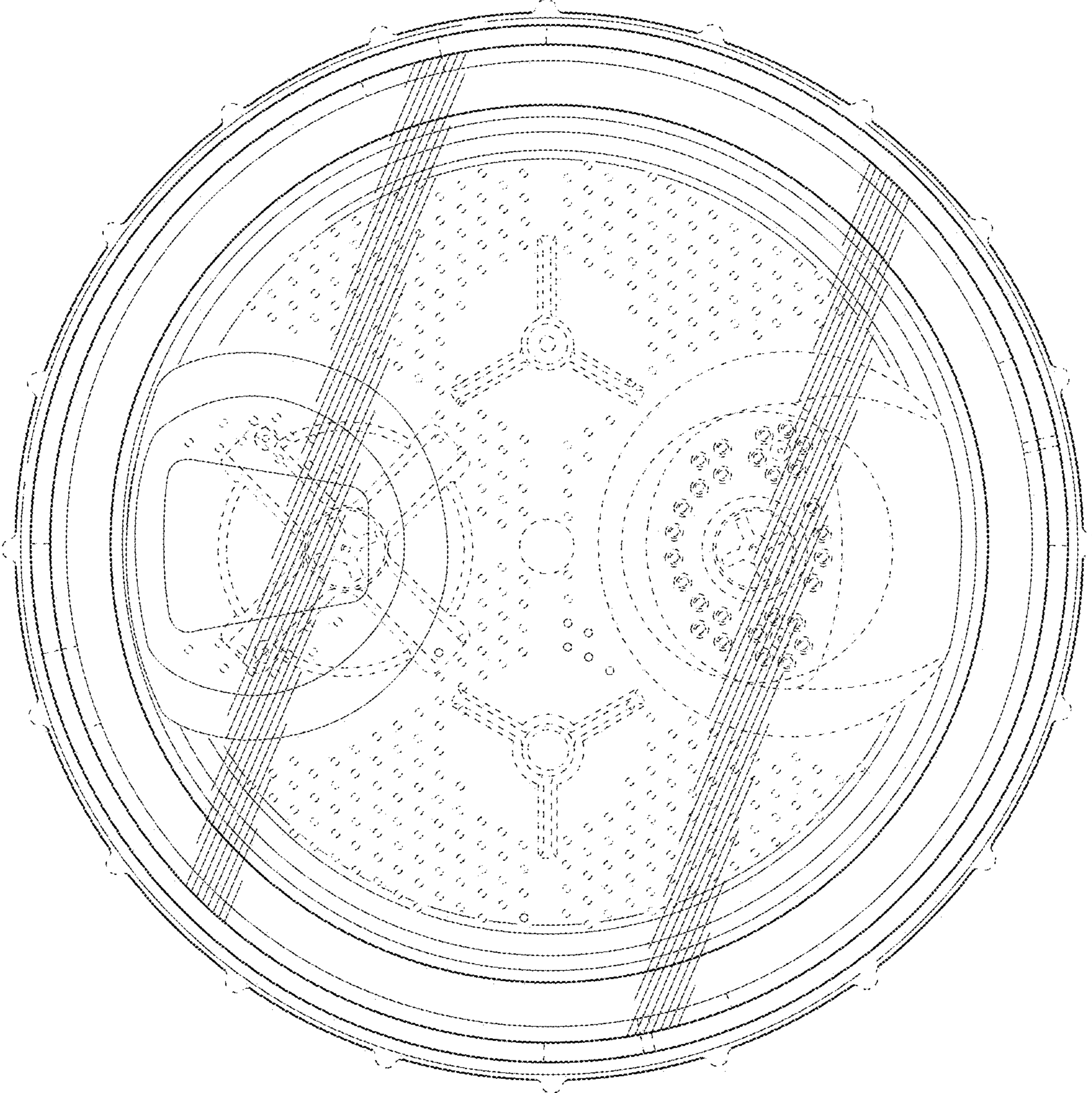


FIG. 7