



US00D932048S

(12) **United States Design Patent** (10) **Patent No.:** **US D932,048 S**
Laible (45) **Date of Patent:** **** Sep. 28, 2021**

(54) **FOUR PORT CAP ADAPTER**
(71) Applicant: **Rodney Laible**, Omaha, NE (US)
(72) Inventor: **Rodney Laible**, Omaha, NE (US)
(**) Term: **15 Years**
(21) Appl. No.: **29/730,653**
(22) Filed: **Apr. 7, 2020**
(51) **LOC (13) Cl.** **24-02**
(52) **U.S. Cl.**
USPC **D24/220**
(58) **Field of Classification Search**
USPC D9/436, 452, 449; D24/127, 129, 227,
D24/224, 121; D13/156; D7/392.1;
D23/209, 262
CPC C12M 25/02; C02F 1/001; B67D 7/0294;
B65D 47/122; B05B 15/30
See application file for complete search history.

D838,366 S * 1/2019 Lewis D24/129
D842,105 S * 3/2019 Willemstyn D9/436
D852,041 S * 6/2019 Aviles D9/436
D854,414 S * 7/2019 Michailides D9/449
10,625,911 B1 * 4/2020 Laible B05B 15/30
D885,901 S * 6/2020 Kaneko D9/452
D887,577 S * 6/2020 Shor D24/227
D895,421 S * 9/2020 Laible D9/436
D899,925 S * 10/2020 Laible D9/436
2013/0292424 A1 * 11/2013 Laible B65D 47/122
222/479
2014/0202944 A1 * 7/2014 Wes C02F 1/001
210/234

* cited by examiner

Primary Examiner — Rhea Shields
(74) *Attorney, Agent, or Firm* — Dennis L. Thomte;
Thomte Patent Law Office LLC

(57) **CLAIM**

The ornamental design for a four port cap adapter, as shown and described.

(56) **References Cited**

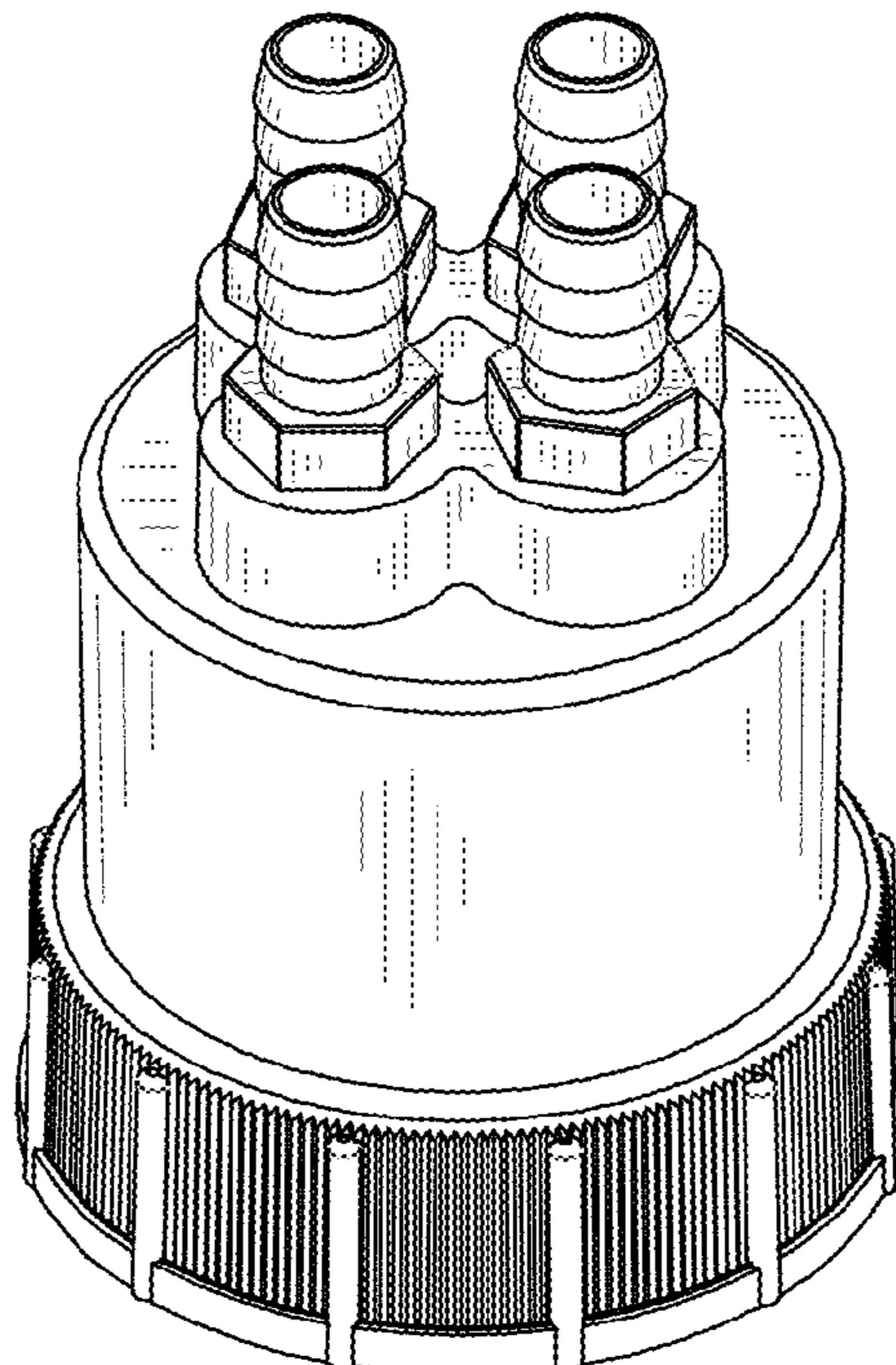
U.S. PATENT DOCUMENTS

D433,275 S * 11/2000 Betras D7/392.1
6,669,062 B1 * 12/2003 Laible B67D 7/0294
141/244
D541,371 S * 4/2007 McKay D23/209
D656,580 S * 3/2012 Sherman D23/209
D737,960 S * 9/2015 Philipak D24/127
D747,785 S * 1/2016 Ruprecht D23/262
9,242,847 B1 * 1/2016 Laible B67D 7/0294
9,458,003 B1 * 10/2016 Laible B67D 7/0294
D820,996 S * 6/2018 Knaus C12M 25/02
D24/224
D832,795 S * 11/2018 Maegawa D13/156
D835,778 S * 12/2018 Mozzicato D24/121

DESCRIPTION

FIG. 1 is a perspective view of a four port cap adapter;
FIG. 2 is a top view thereof;
FIG. 3 is a first side view thereof;
FIG. 4 is a second side view thereof;
FIG. 5 is a third side view thereof;
FIG. 6 is a fourth side view thereof;
FIG. 7 is a bottom view thereof; and,
FIG. 8 is a lower perspective view thereof.
In the drawings, the broken lines are for the purpose of illustrating portions of the four port cap adapter that forms no part of the claimed design.

1 Claim, 4 Drawing Sheets



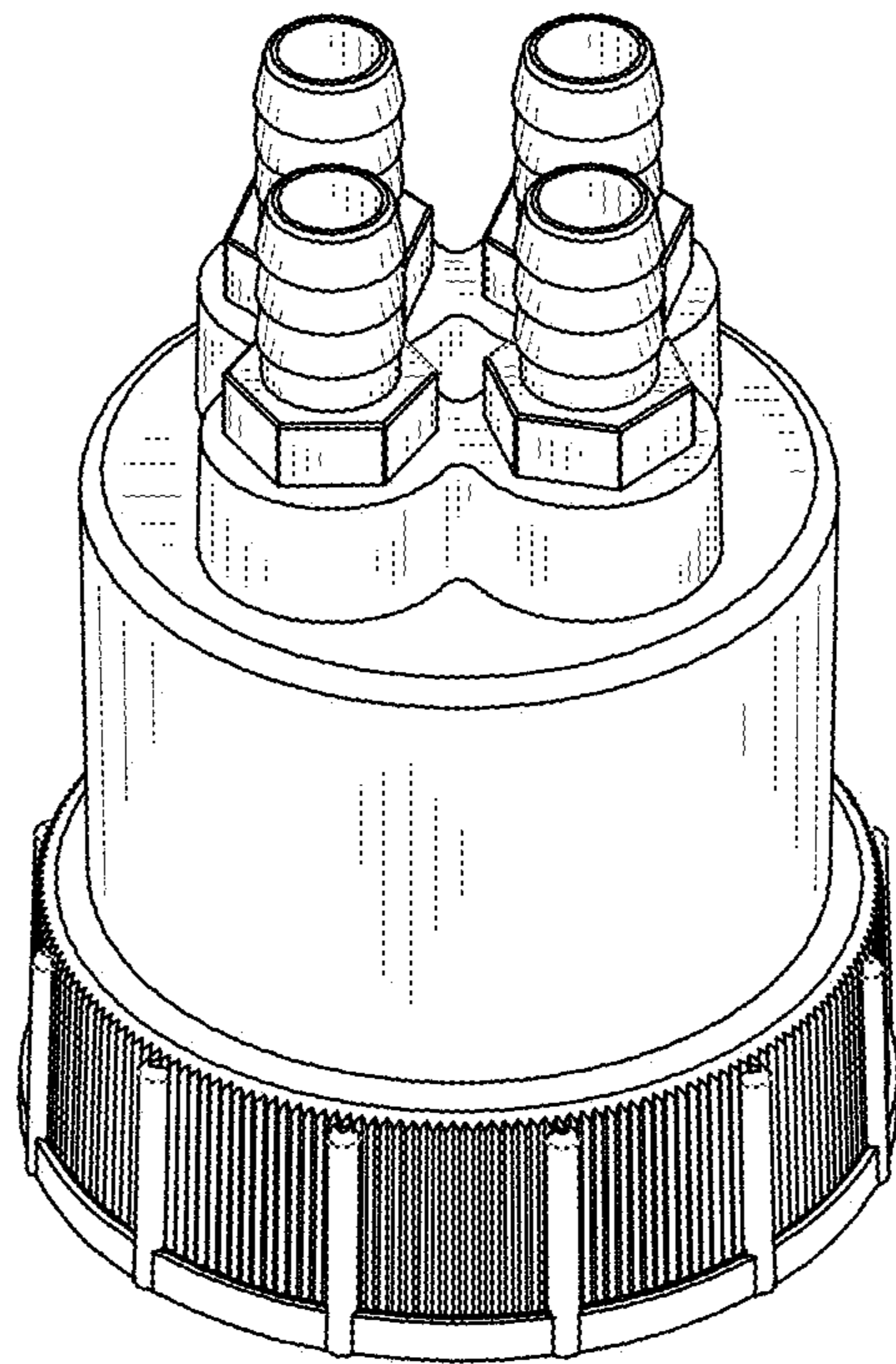


FIG. 1

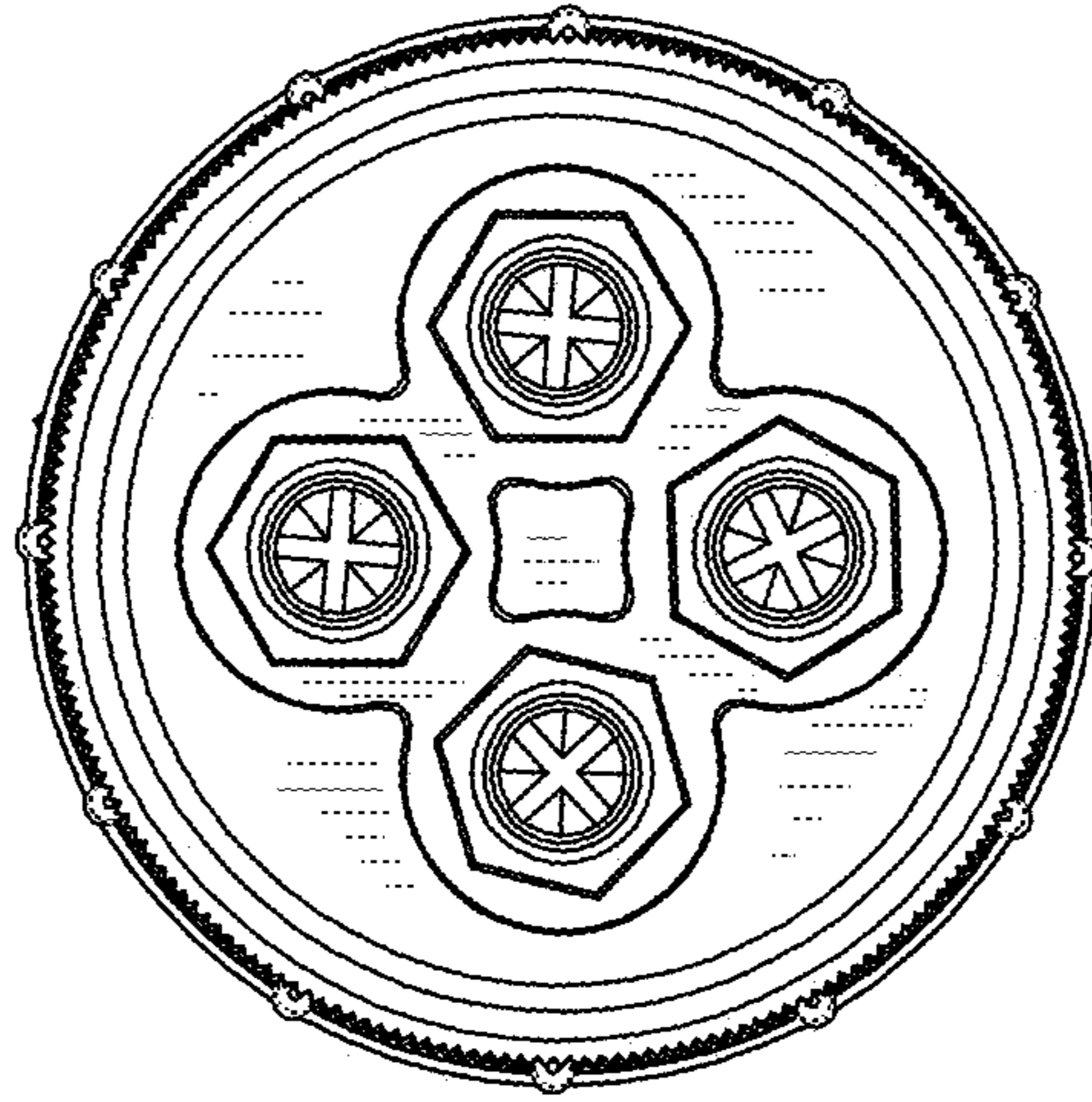


FIG. 2

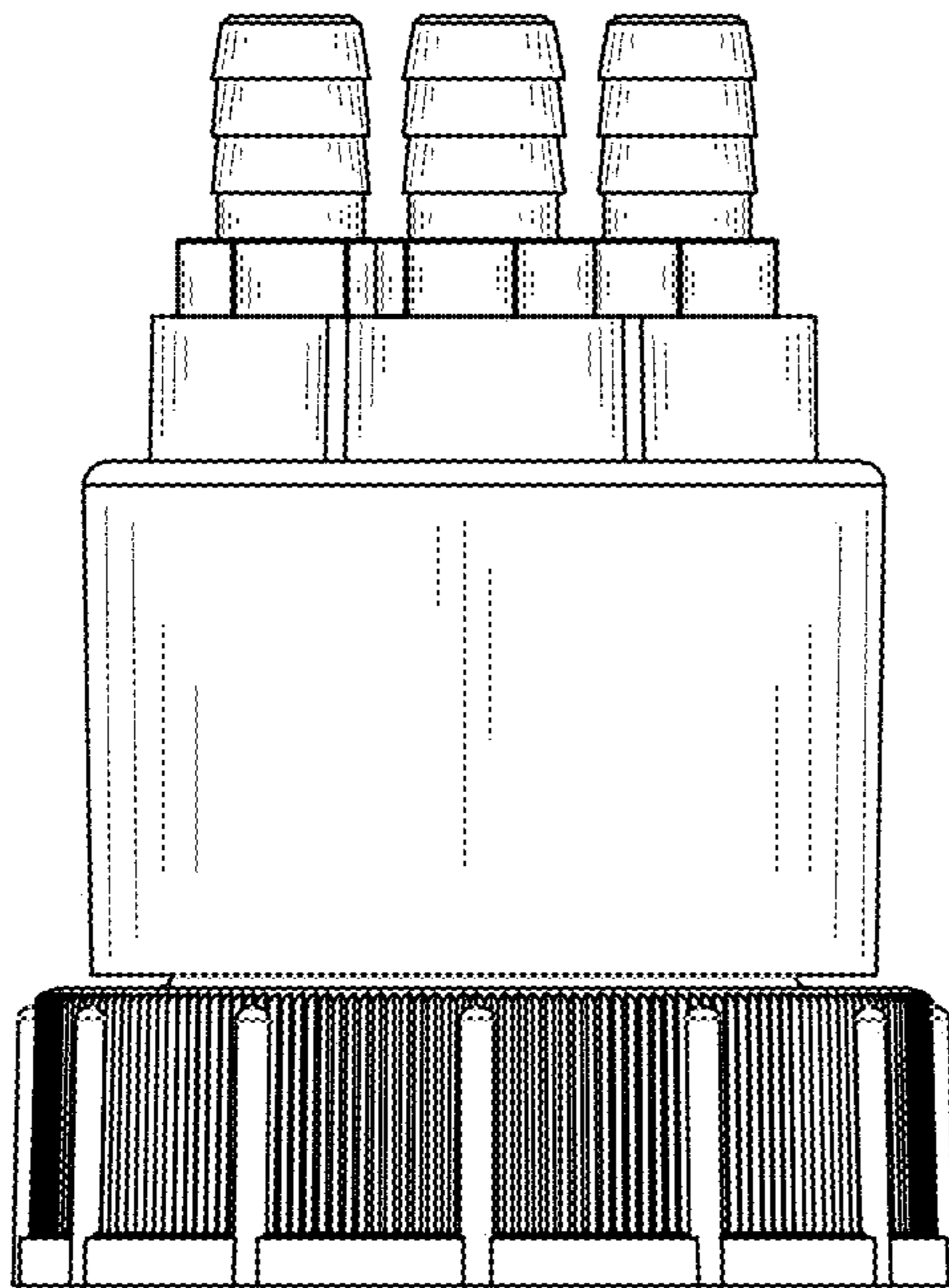


FIG. 3

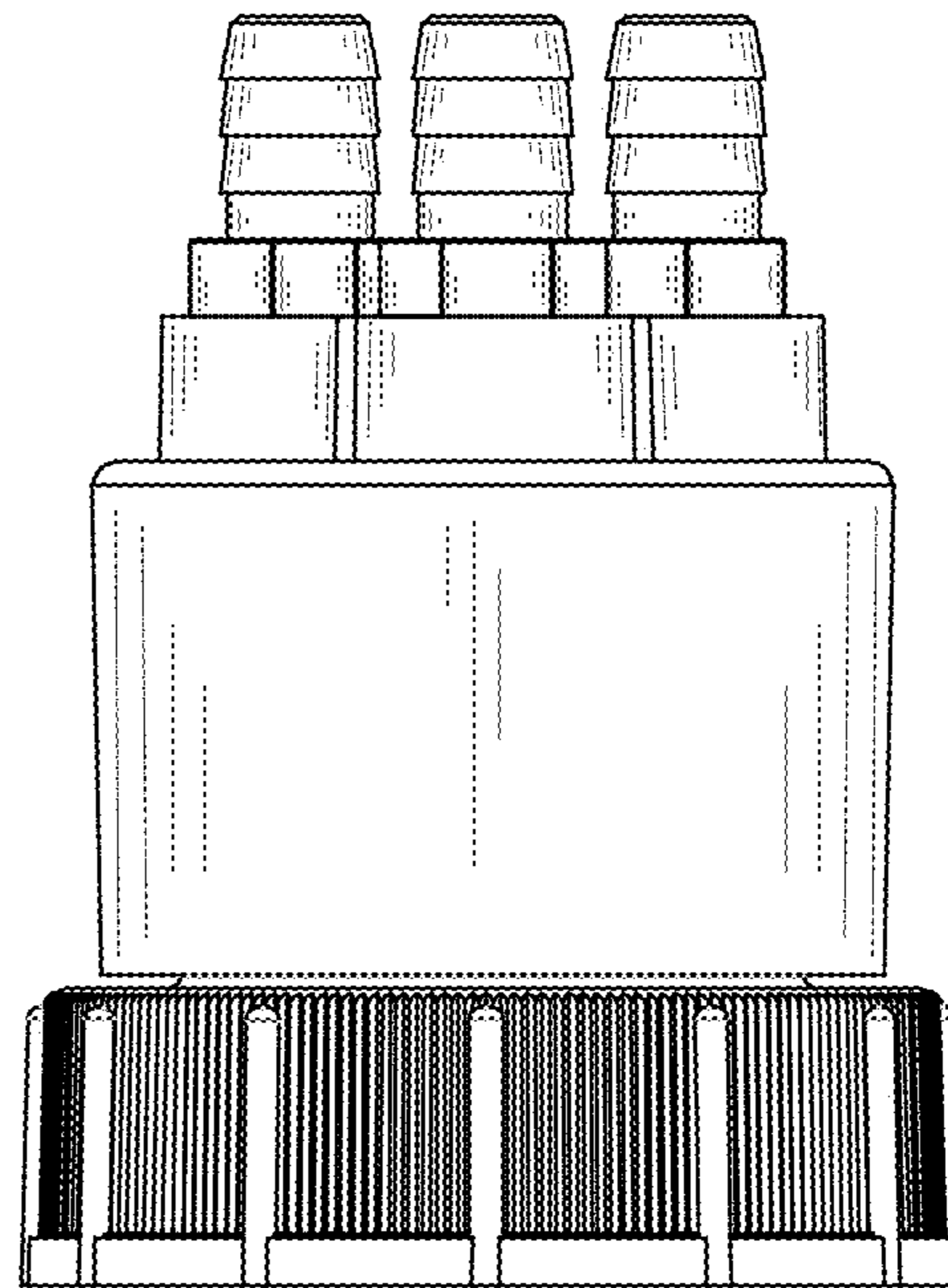


FIG. 4

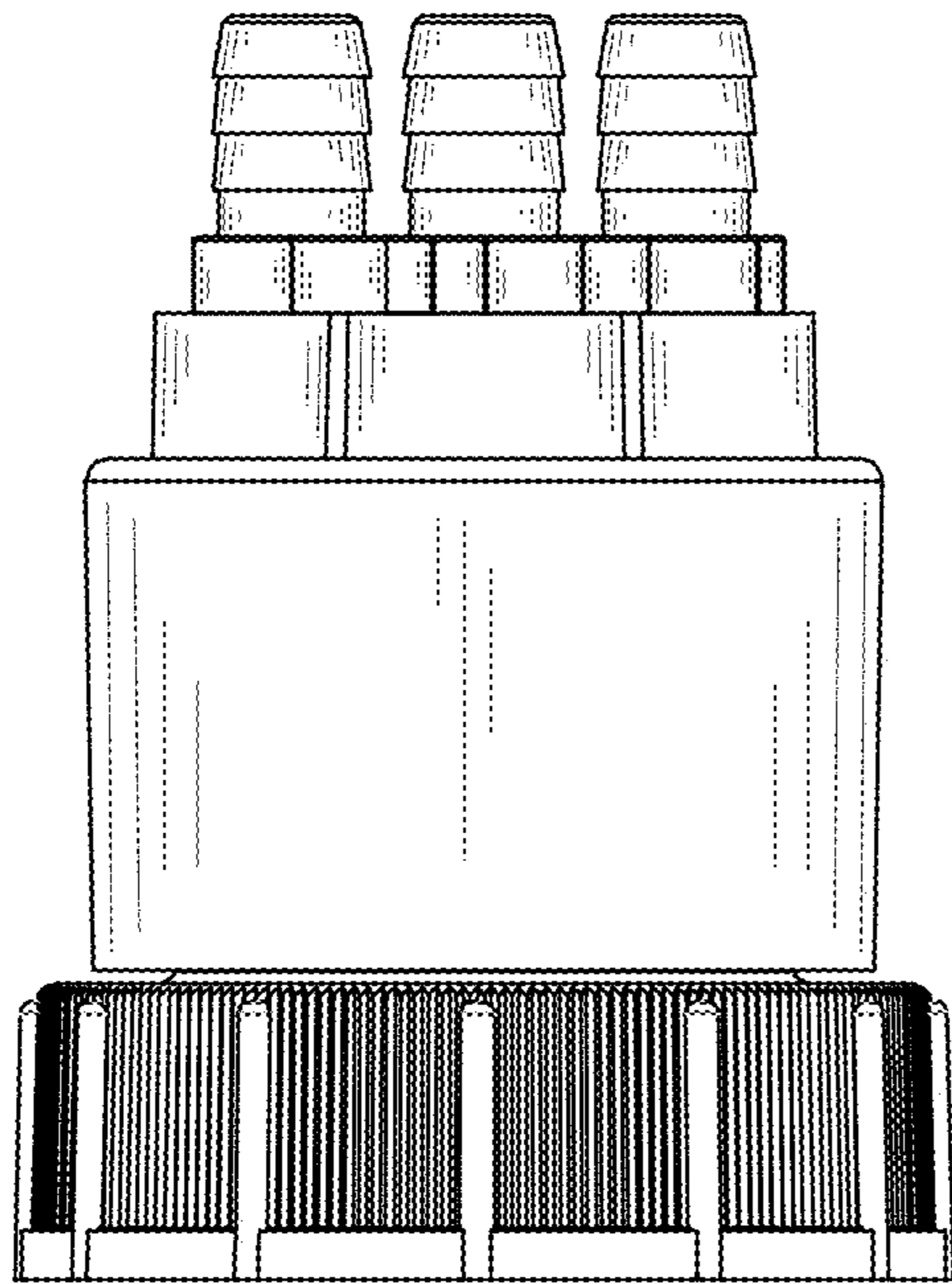


FIG. 5

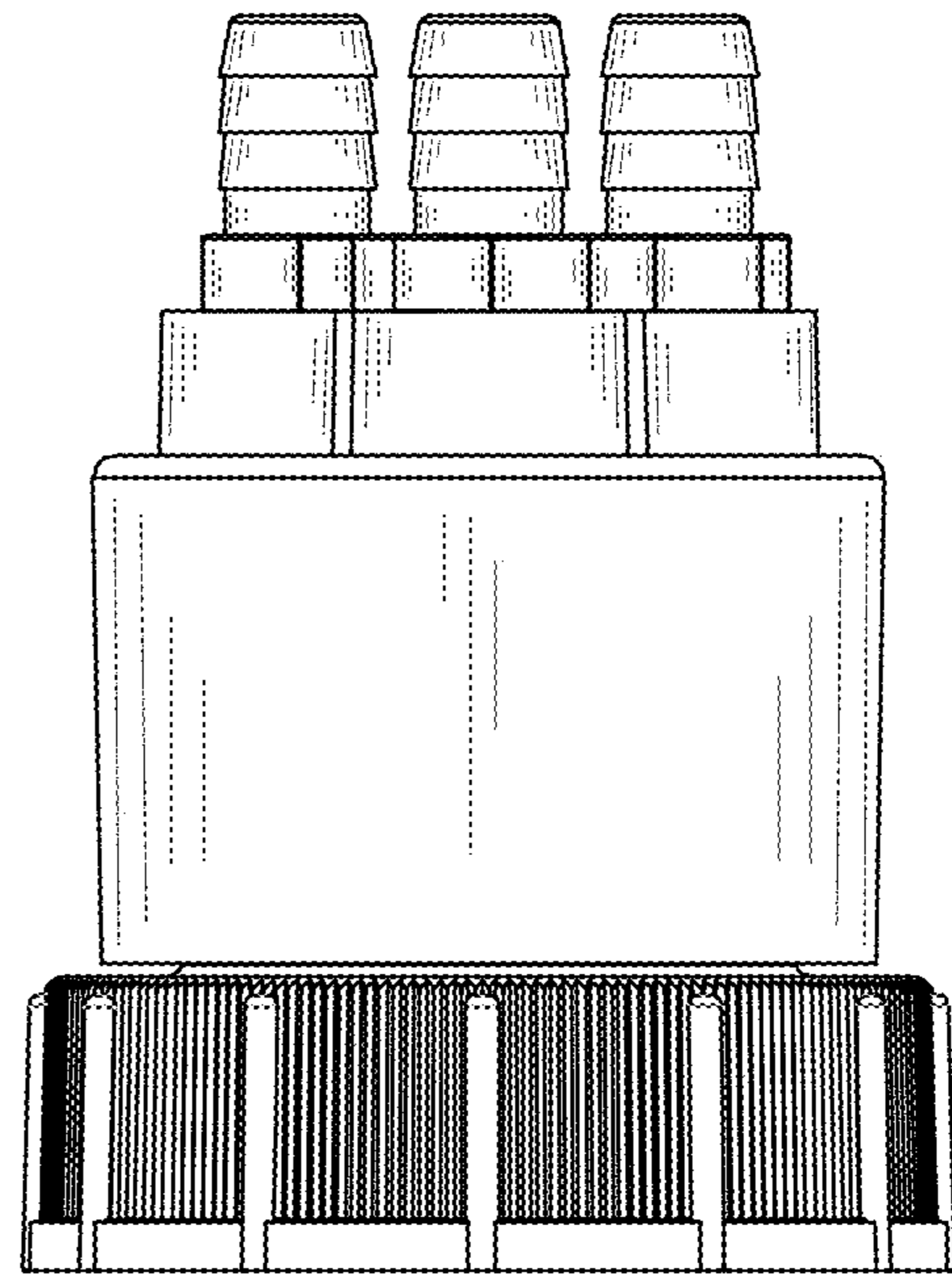


FIG. 6

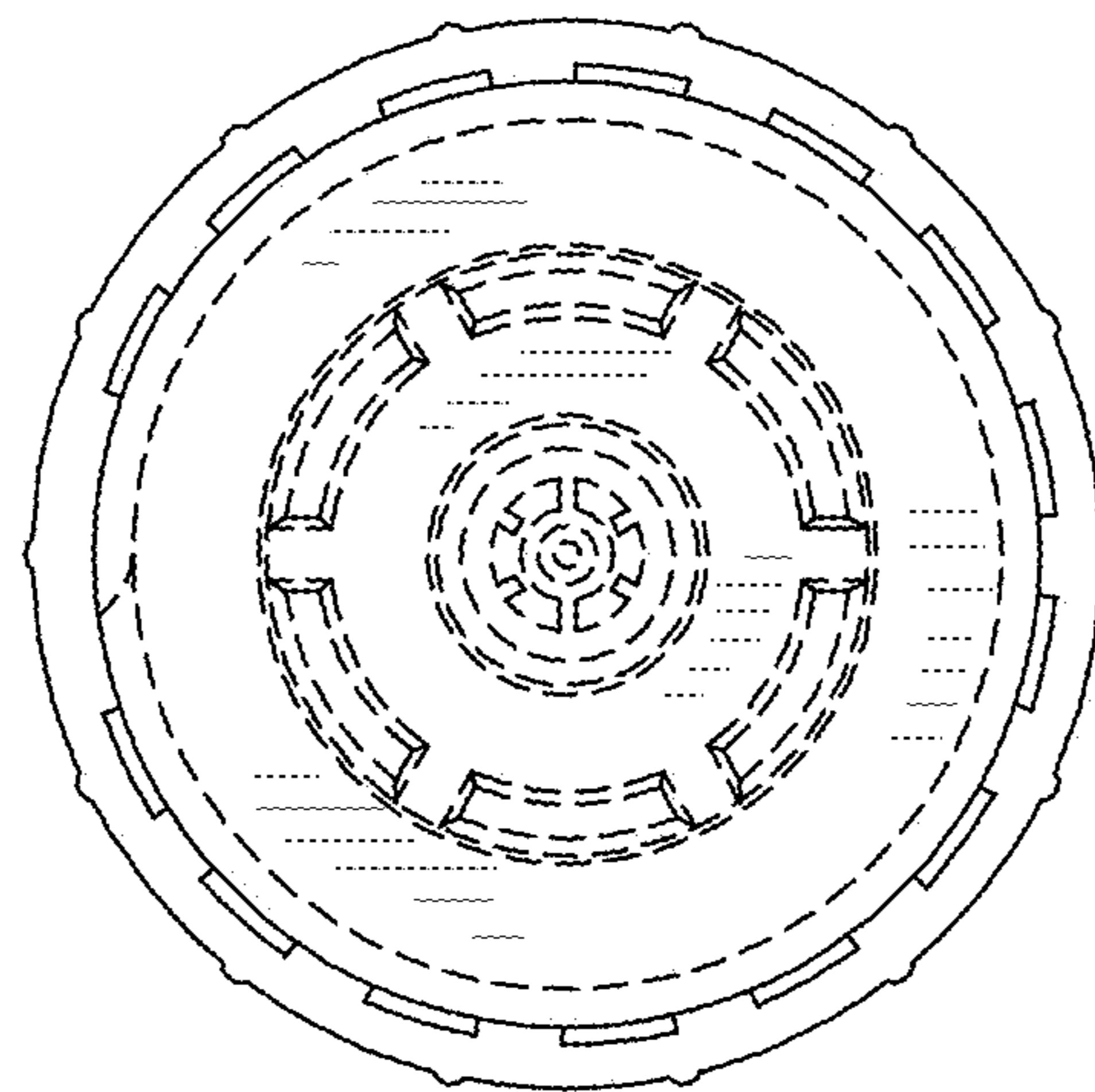


FIG. 7

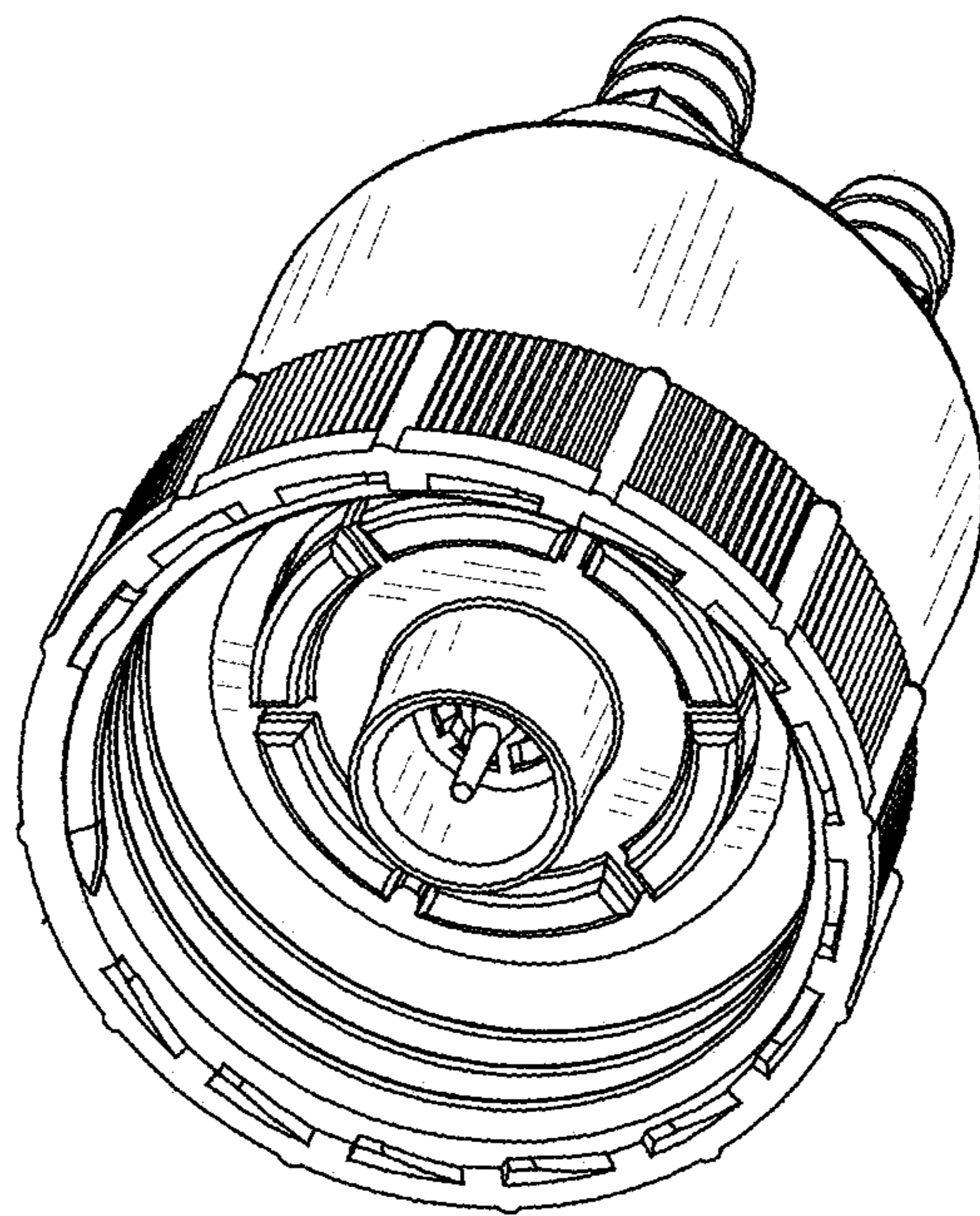


FIG. 8