

US00D932047S

(12) **United States Design Patent** (10) **Patent No.:** **US D932,047 S**
Hölbl (45) **Date of Patent:** **** Sep. 28, 2021**

(54) **COVERSLIPPER**

(71) Applicant: **Leica Biosystems Nussloch GmbH**,
Nussloch (DE)

(72) Inventor: **Werner Hölbl**, Vienna (AT)

(73) Assignee: **LEICA BIOSYSTEMS NUSSLOCH GMBH**, Nussloch (DE)

(**) Term: **15 Years**

(21) Appl. No.: **29/668,197**

(22) Filed: **Oct. 29, 2018**

(30) **Foreign Application Priority Data**

May 4, 2018 (EM) 005257359-0001

(51) **LOC (13) Cl.** **24-01**

(52) **U.S. Cl.**
USPC **D24/216**

(58) **Field of Classification Search**
USPC D24/170, 177, 185, 186, 216–219, 225,
D24/231–234; D10/81
CPC G01N 2035/00306; G01N 2035/00326;
G01N 2035/00336; G01N 2035/00366;
G01N 2035/00495; G01N 2035/00544;
G01N 33/53; G01N 2035/00138; G01N
2035/00168

See application file for complete search history.

(56) **References Cited**

U.S. PATENT DOCUMENTS

6,821,072 B2 * 11/2004 Thiem G02B 21/34
414/268
7,875,242 B2 * 1/2011 Shah G01N 1/312
422/536
D675,742 S * 2/2013 Fienieg D24/186
8,709,360 B2 * 4/2014 Hajrovic G01N 1/312
422/536

D782,690 S * 3/2017 Kurihara D24/216
D810,314 S * 2/2018 Hoelbl D24/232
10,151,673 B2 * 12/2018 Neef G01N 1/31
D852,661 S * 7/2019 Park D10/81
D853,579 S * 7/2019 Newberg D24/216
2014/0348725 A1 * 11/2014 Berberich G01N 35/00029
422/536
2016/0377515 A1 * 12/2016 Berberich G01N 1/30
435/40.5

OTHER PUBLICATIONS

HistoCore Spectra CV Coverslipper Features, posted at leicabiosystems.com, no posting date, retrieved Dec. 17, 2019, online, URL: <https://www.leicabiosystems.com/histology-equipment/he-slide-stainers-special-stainers-coverslippers/histocore-spectra-workstation/> (Year: 2019).*

* cited by examiner

Primary Examiner — Lilyana Bekic
Assistant Examiner — Mary Shannon Malley
(74) *Attorney, Agent, or Firm* — Hodgson Russ LLP

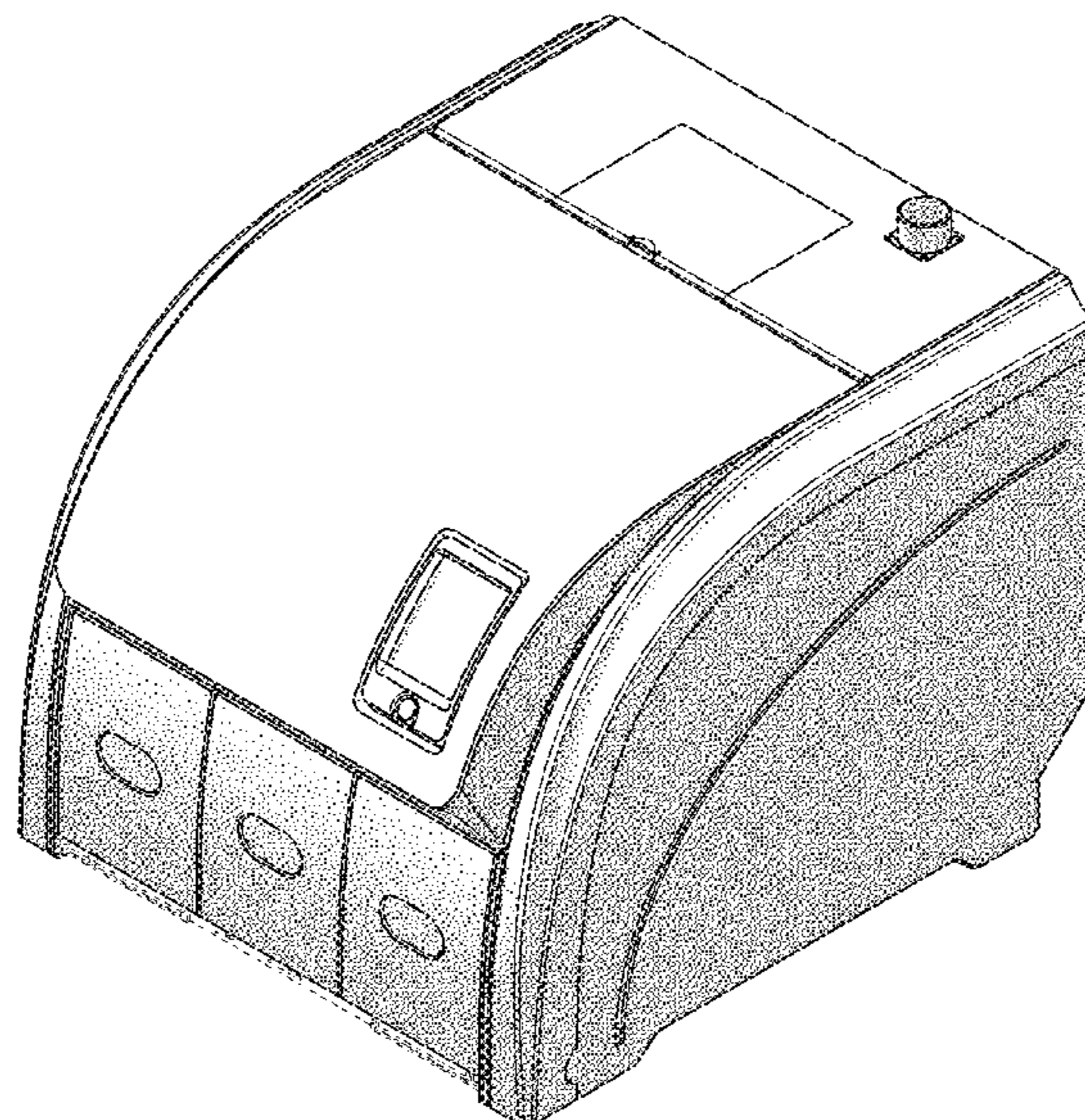
(57) **CLAIM**

The ornamental design for a coverslipper, as shown and described.

DESCRIPTION

FIG. 1 is a perspective view of a coverslipper, showing my new design;
FIG. 2 is a front elevation view thereof;
FIG. 3 is a rear elevation view thereof;
FIG. 4 is a top plan view thereof;
FIG. 5 is a right side elevation view thereof; and,
FIG. 6 is a left side elevation view thereof.
The broken lines in the drawings illustrate portions of the coverslipper that form no part of the claimed design.

1 Claim, 6 Drawing Sheets



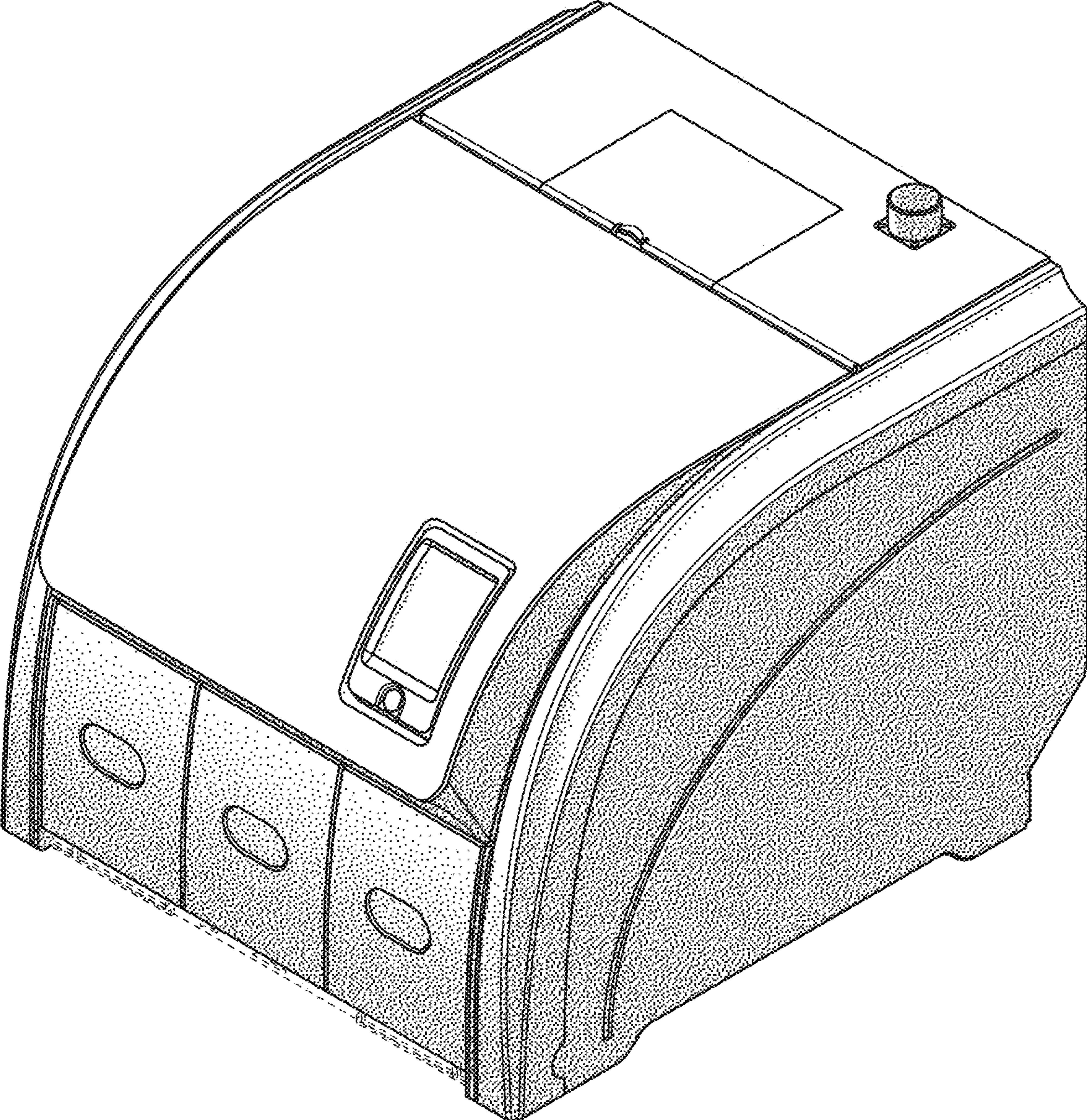


Fig. 1

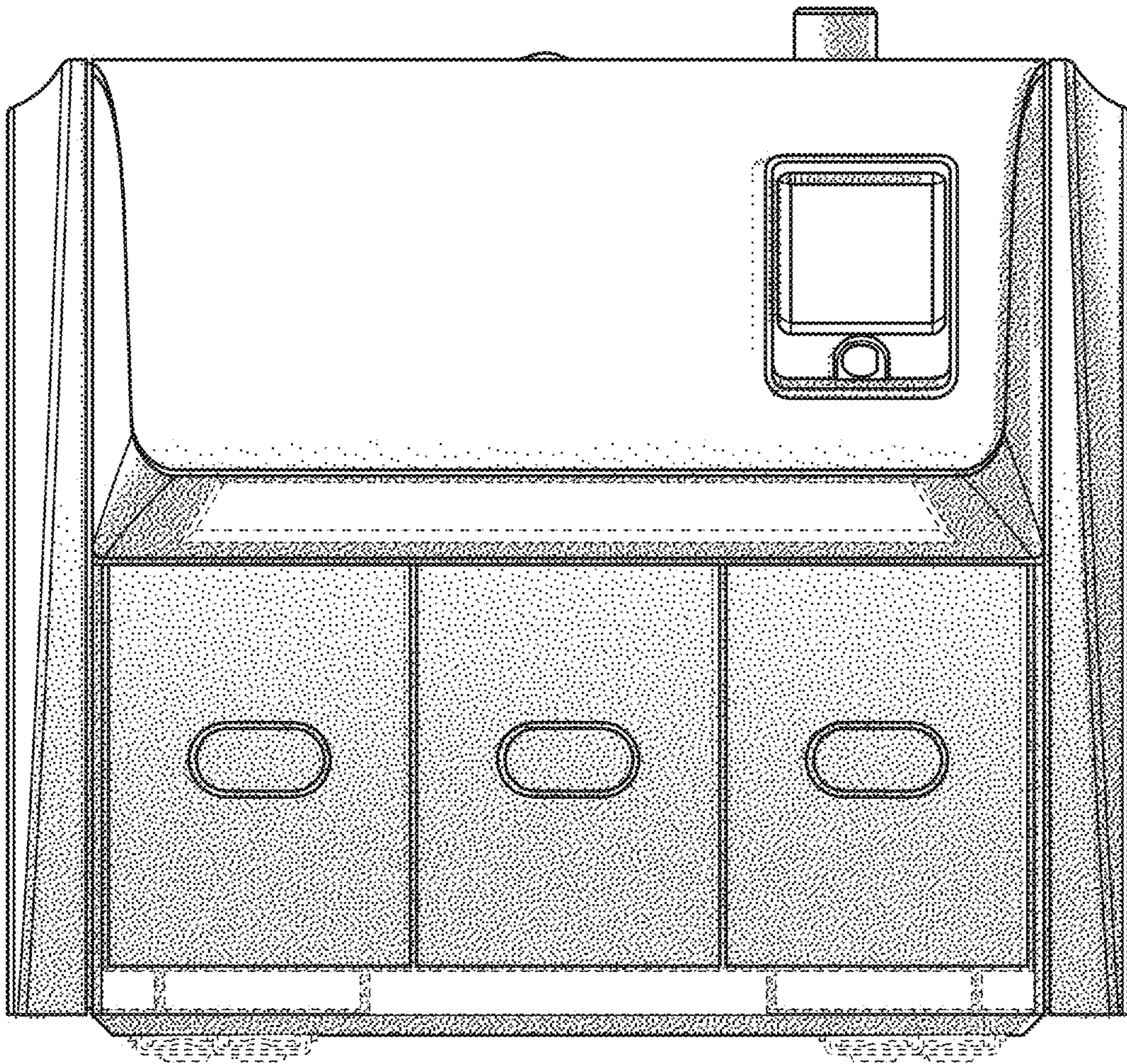


Fig. 2

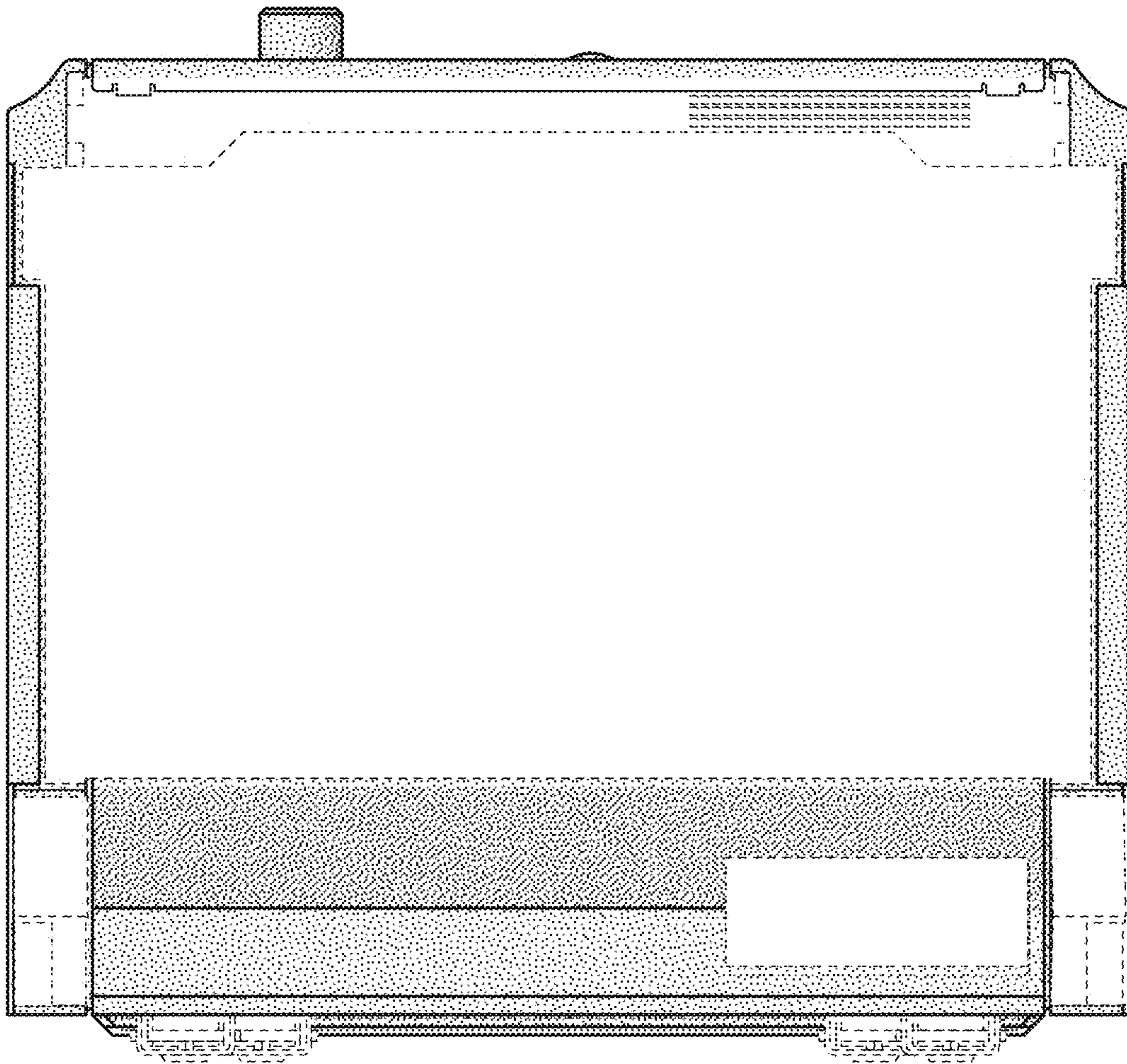


Fig. 3

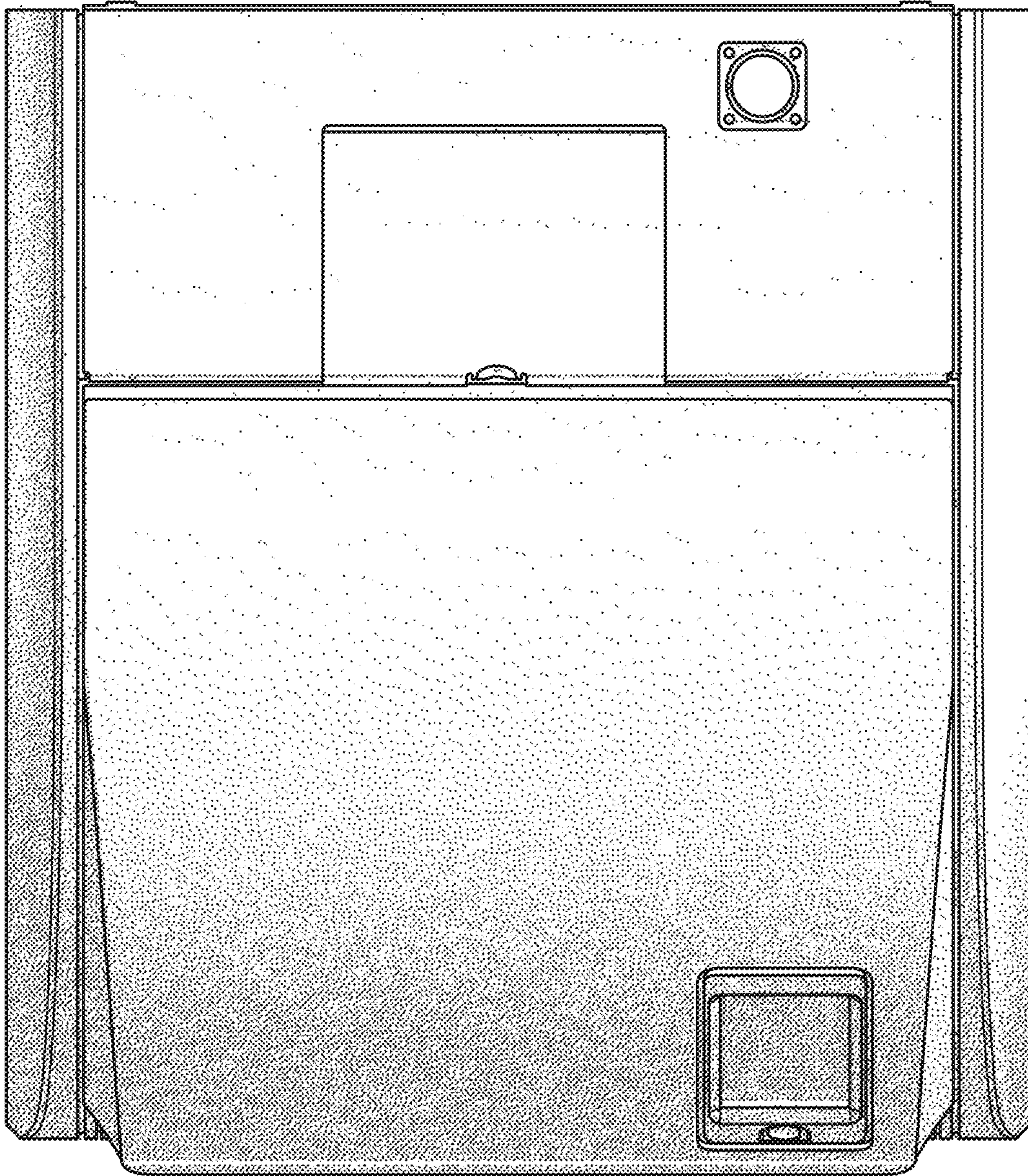


Fig. 4

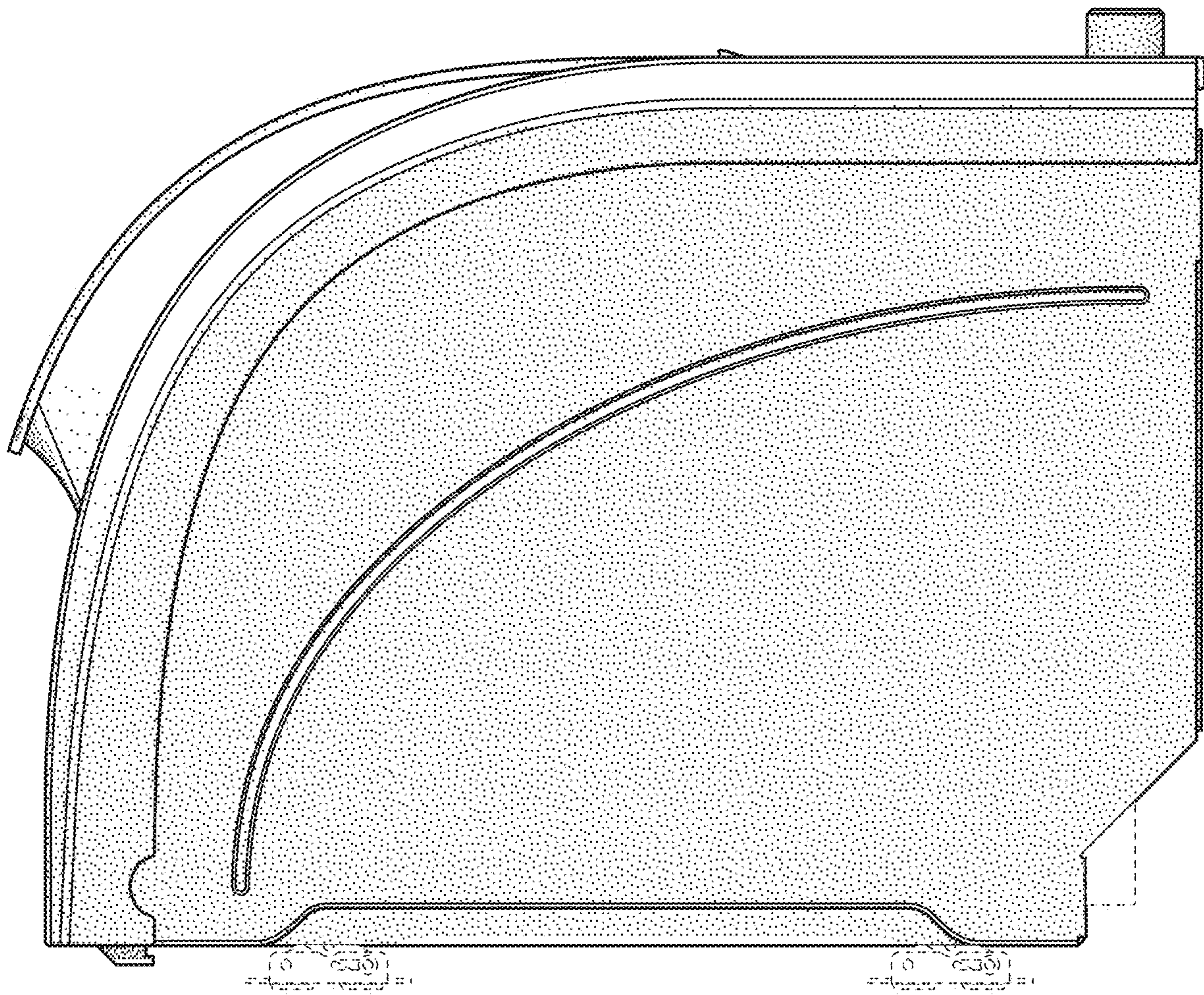


Fig. 5

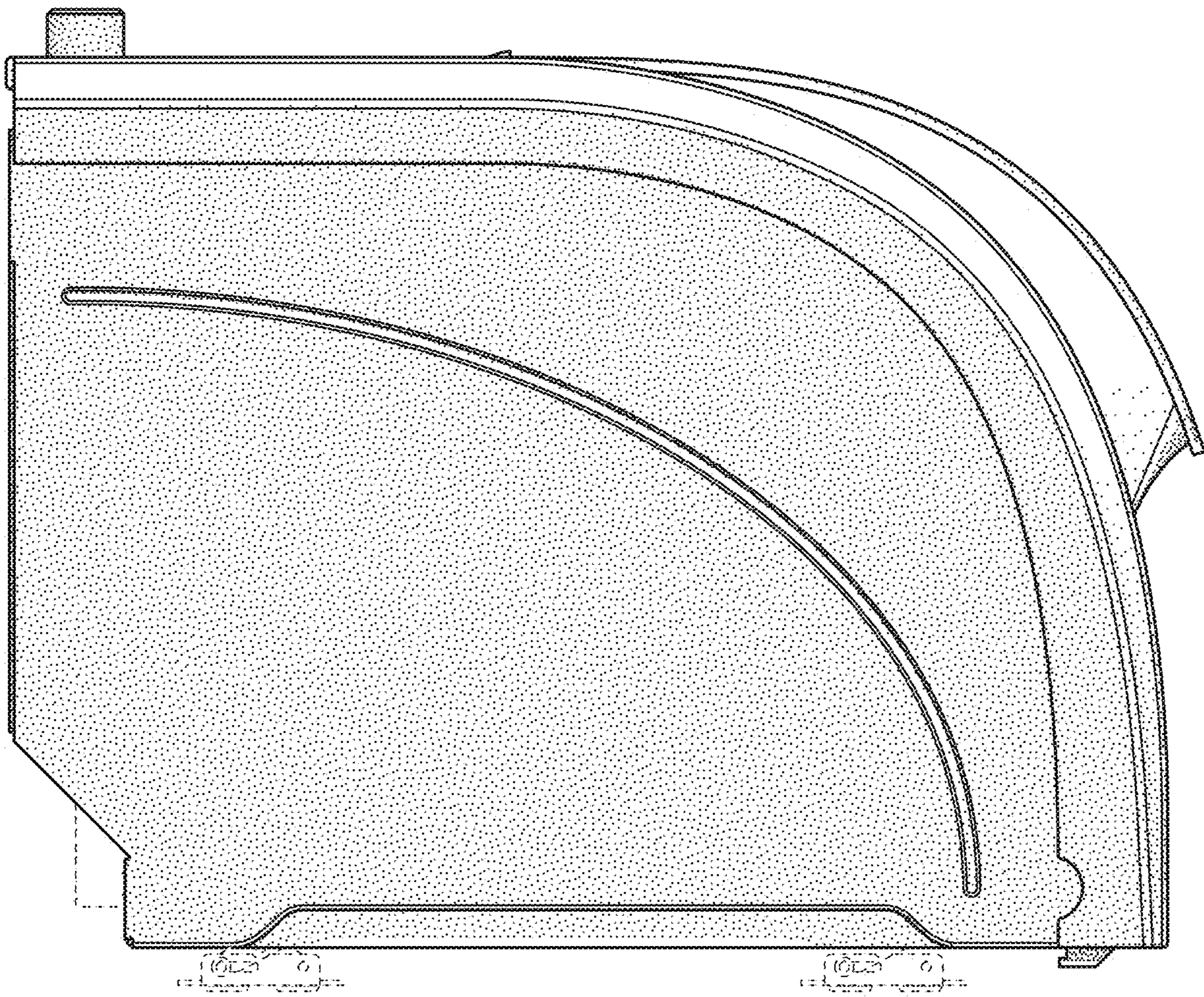


Fig. 6