



US00D932046S

(12) **United States Design Patent** (10) **Patent No.:** **US D932,046 S**
Jobin (45) **Date of Patent:** **** Sep. 28, 2021**

(54) **FLUIDIC CARTRIDGE ASSEMBLY**

(71) Applicant: **908 Devices Inc.**, Boston, MA (US)

(72) Inventor: **Michael Jobin**, Boston, MA (US)

(73) Assignee: **908 Devices Inc.**, Boston, MA (US)

(**) Term: **15 Years**

(21) Appl. No.: **29/596,756**

(22) Filed: **Mar. 10, 2017**

(51) **LOC (13) Cl.** **24-01**

(52) **U.S. Cl.**
USPC **D24/216**

(58) **Field of Classification Search**
USPC D24/216-232, 107, 169, 186; D10/81
CPC B01L 2200/10; B01L 2200/16; B01L
2300/0809; B01L 2300/0816; B01L
2300/0819; B01L 2300/0822; B01L
2300/0829; B01L 2300/0832; B01L
2300/0838; B01L 2300/0806; B01L
2300/0861; B01L 2300/0883; B01L
2300/0893; B01L 2300/0877; G01N
35/00029; G01N 35/08; G01N
2035/00019; G01N 2035/00306; G01N
2035/00326; G01N 2021/0346

See application file for complete search history.

(56) **References Cited**

U.S. PATENT DOCUMENTS

5,422,271 A * 6/1995 Chen B01L 3/502
206/223
D438,632 S * 3/2001 Miller D24/216
D639,978 S * 6/2011 Roos D24/169
D734,482 S * 7/2015 Peterman D24/216
D767,782 S * 9/2016 Cao D24/216
D772,427 S * 11/2016 Leaver D24/224
D784,551 S * 4/2017 Todd D24/224

D799,055 S * 10/2017 Kennedy D24/224
2013/0266480 A1 * 10/2013 Kimura B01L 3/5027
422/69
2016/0168624 A1 * 6/2016 Edwards B01L 3/502738
506/16
2017/0227525 A1 * 8/2017 Griffith G01N 33/502

OTHER PUBLICATIONS

ZipChip, posted at 908devices.com, available Feb. 17, 2017, online, site visited Sep. 17, 2018, URL:https://web.archive.org/web/*/https://908devices.com/products/zipchip/.*

* cited by examiner

Primary Examiner — Lilyana Bekic
Assistant Examiner — Mary Shannon Malley
(74) *Attorney, Agent, or Firm* — Fish & Richardson P.C.

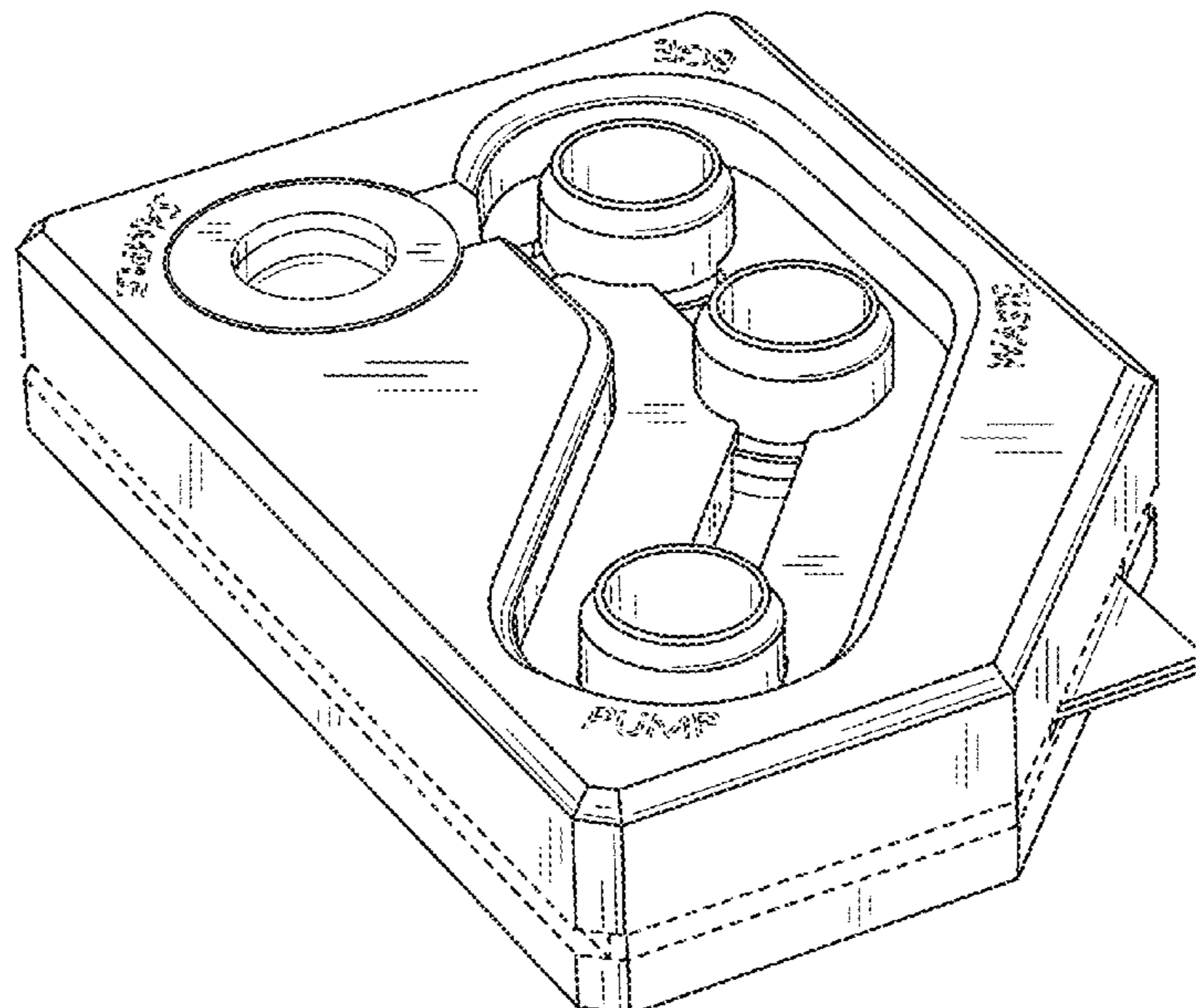
(57) **CLAIM**

The ornamental design for a fluidic cartridge assembly, as shown and described.

DESCRIPTION

FIG. 1 is a perspective view of a fluidic cartridge assembly showing the new design.
FIG. 2 is a top view thereof.
FIG. 3 is a bottom view thereof.
FIG. 4 is another perspective view thereof.
FIG. 5 is another perspective view thereof.
FIG. 6 is a front view thereof.
FIG. 7 is a rear view thereof.
FIG. 8 is a right side view thereof; and,
FIG. 9 is a left side view thereof.
The broken lines show portions of the fluidic cartridge assembly that form no part of the claimed Design.

1 Claim, 4 Drawing Sheets



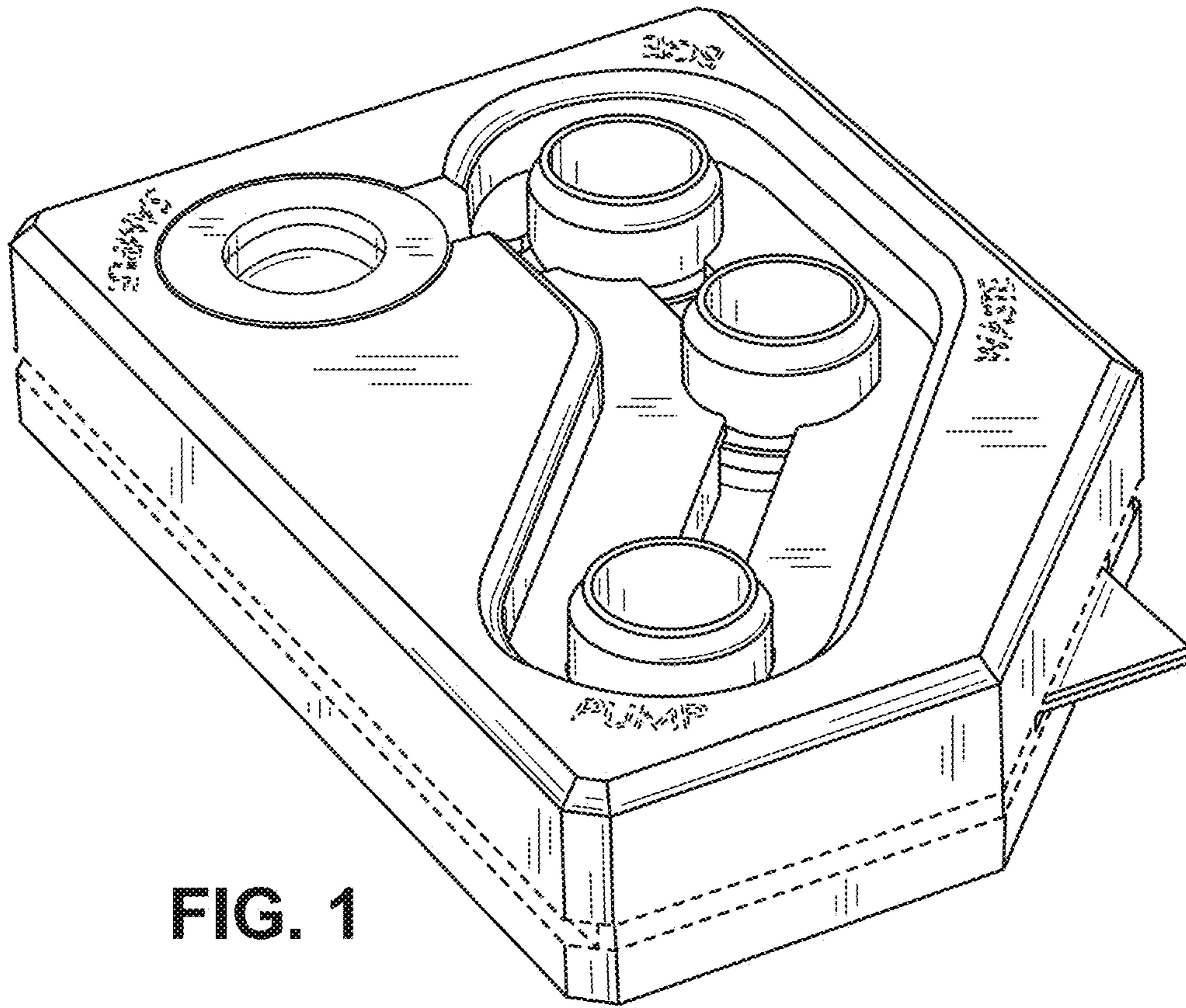


FIG. 1

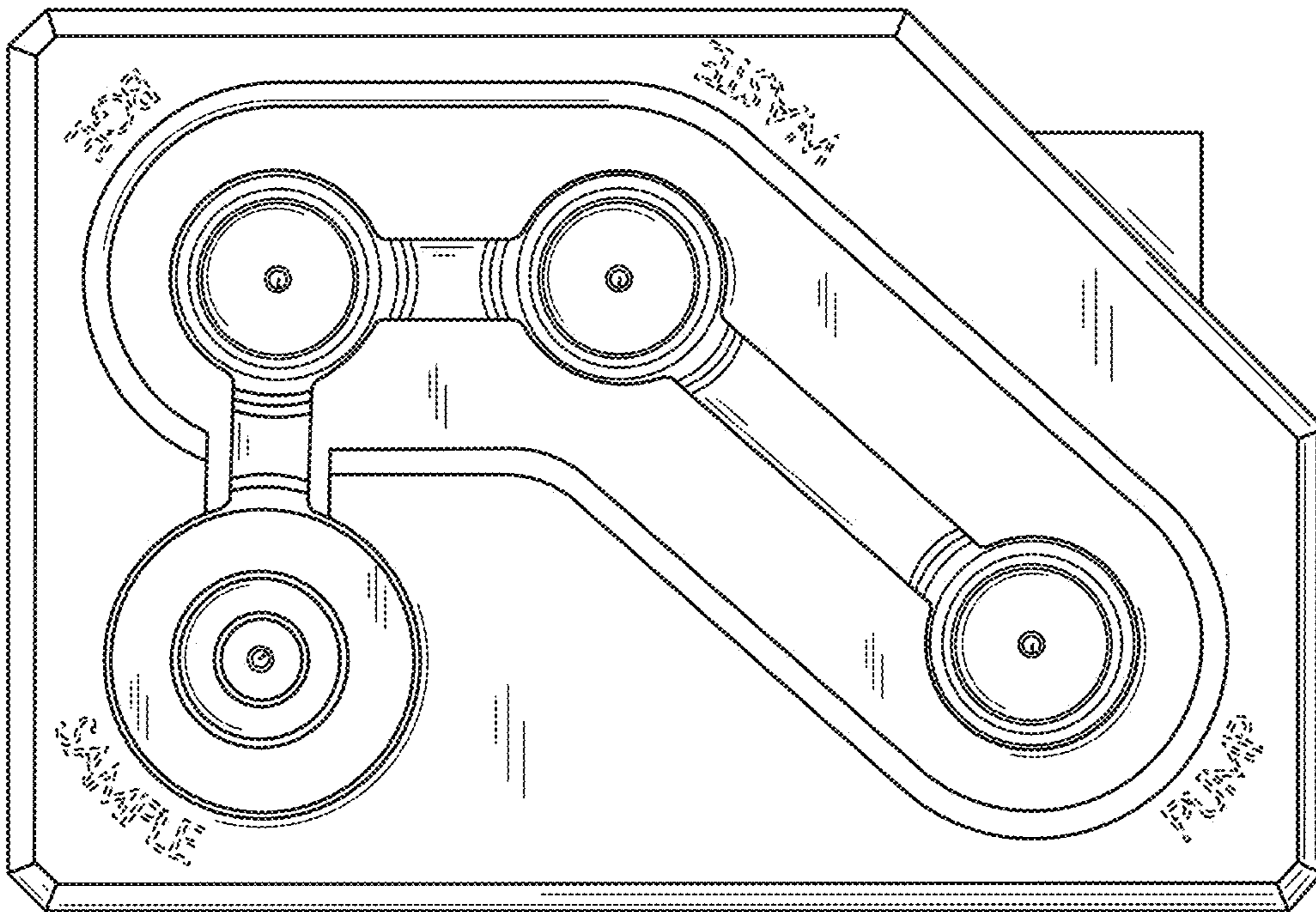


FIG. 2

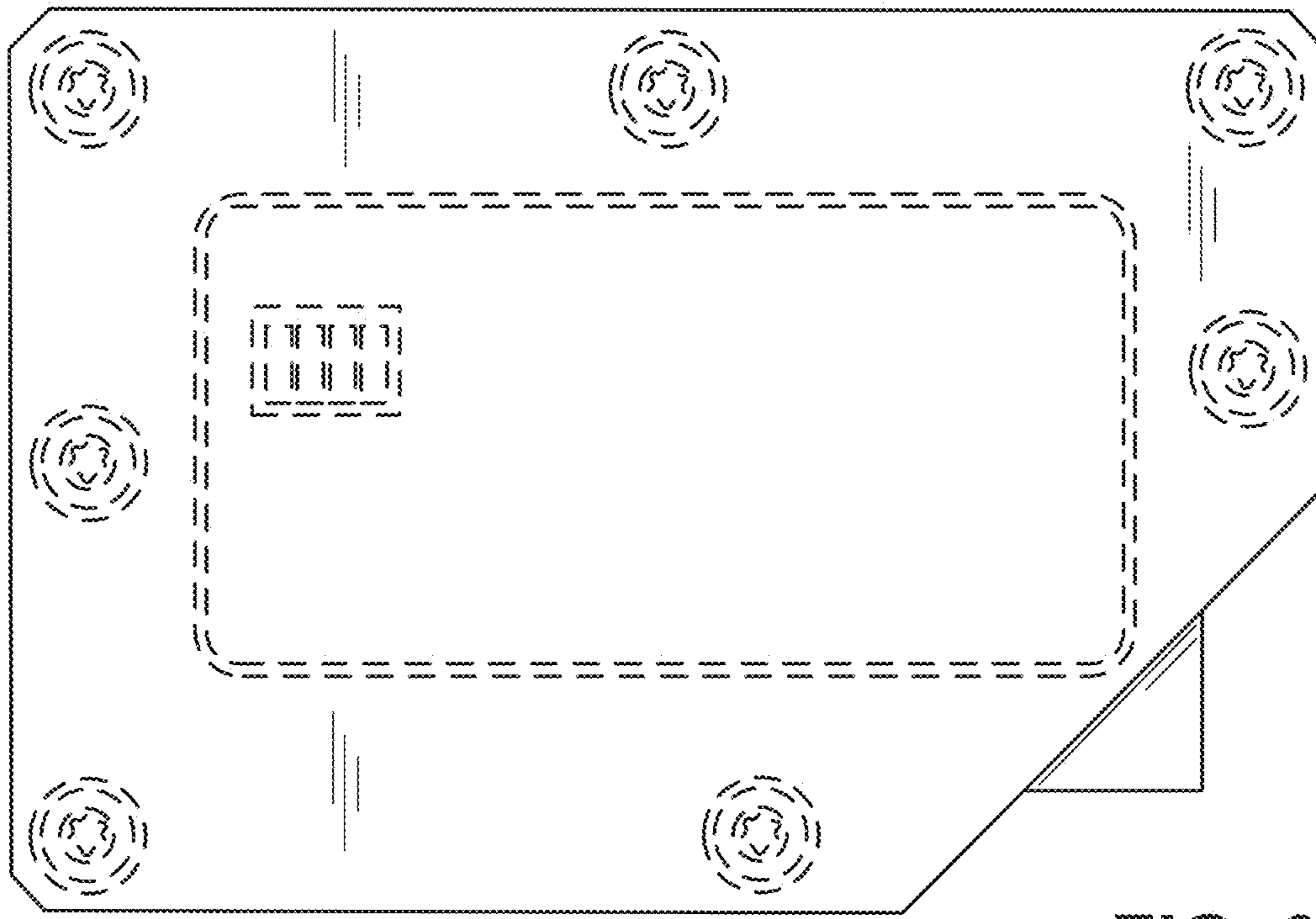


FIG. 3

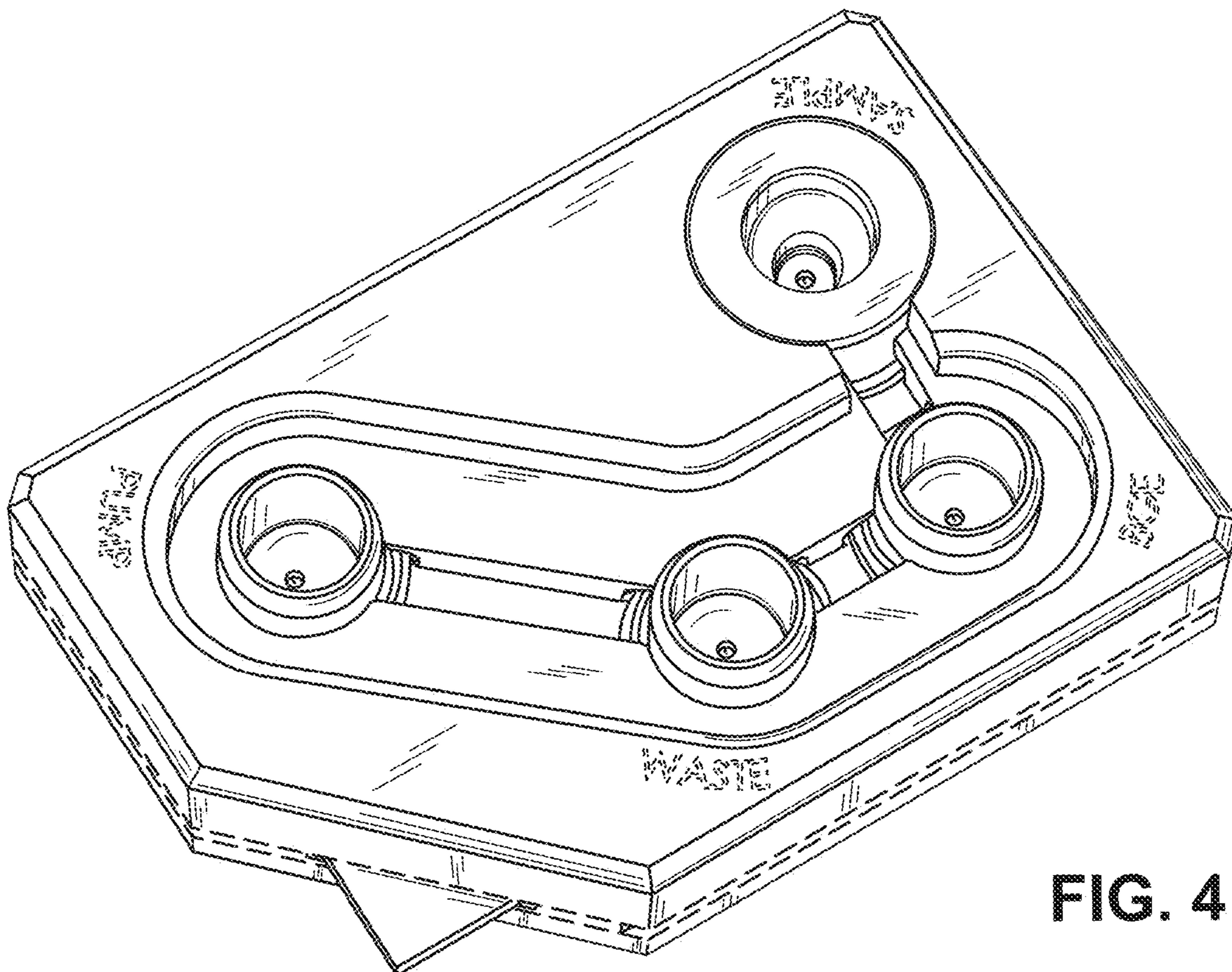


FIG. 4

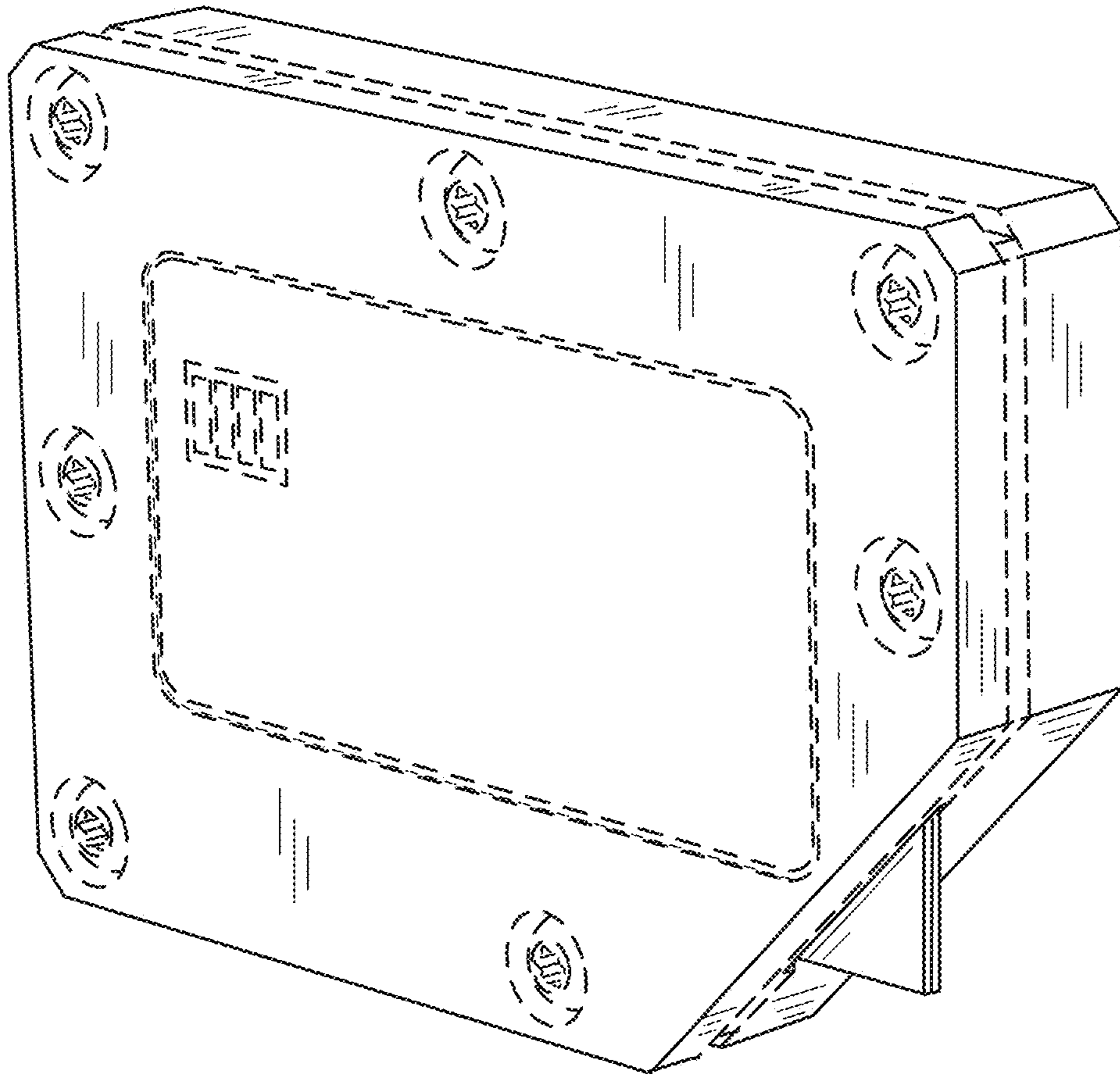


FIG. 5

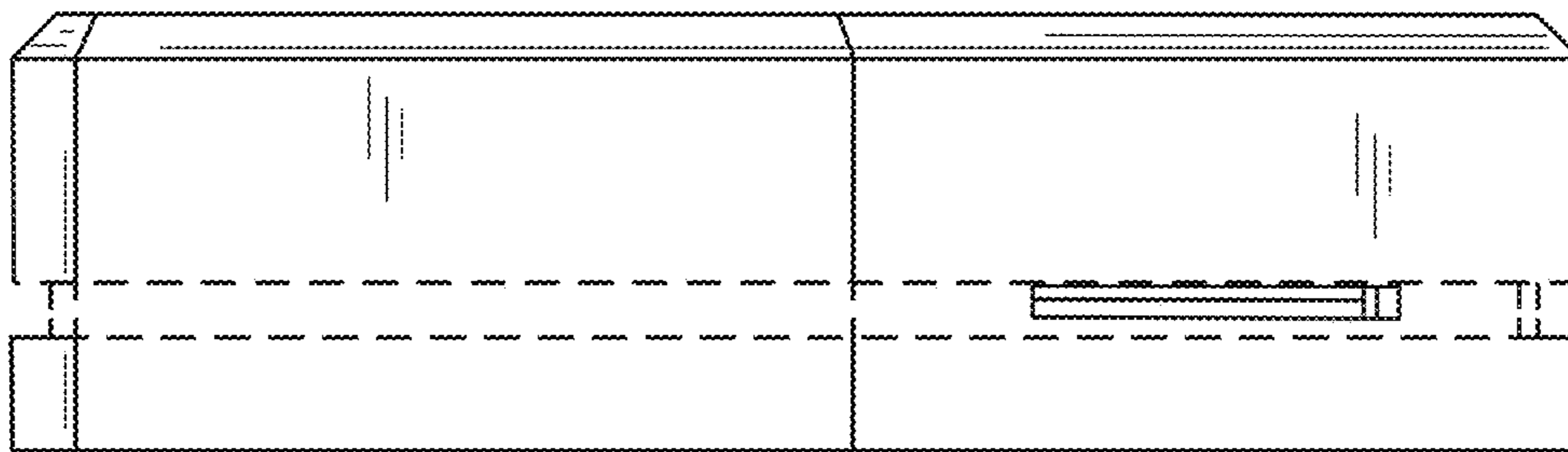


FIG. 6

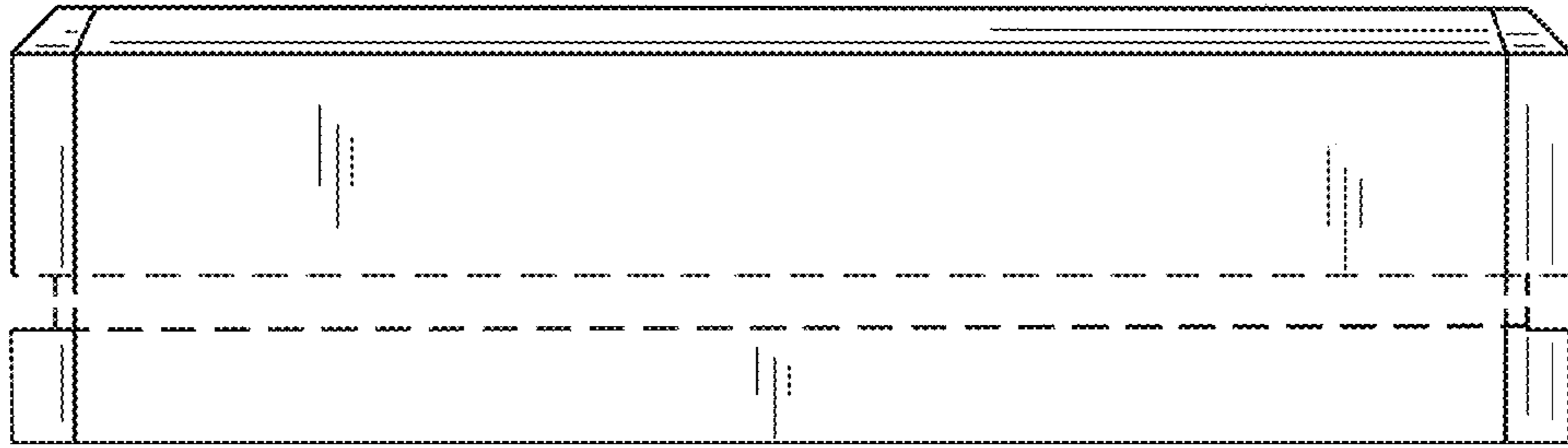


FIG. 7

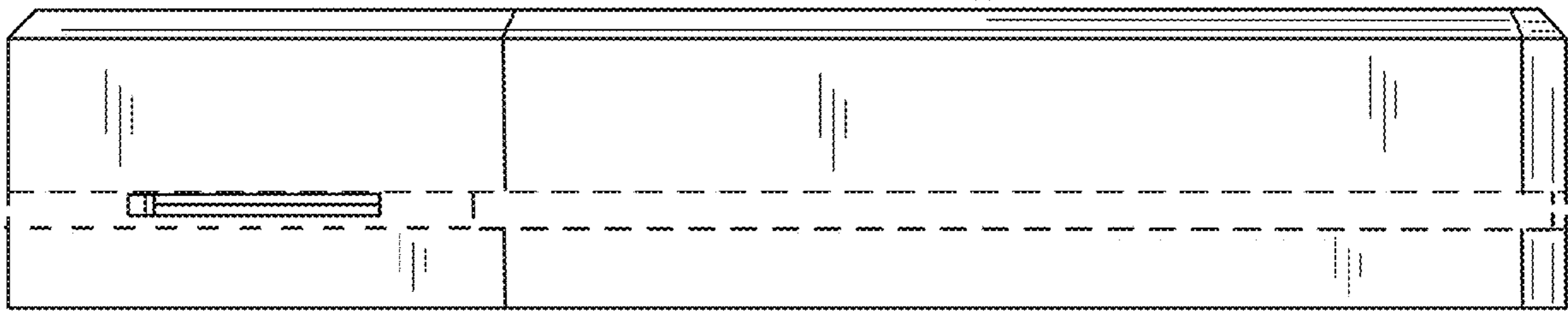


FIG. 8

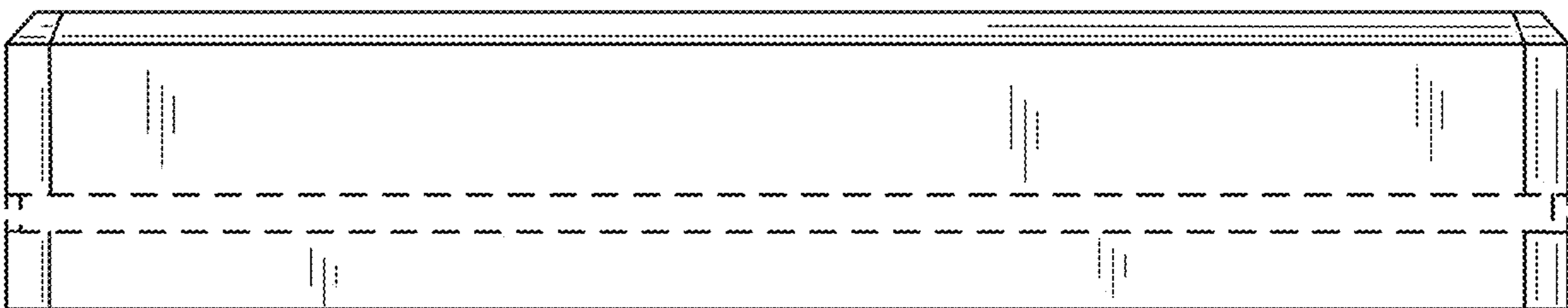


FIG. 9