



US00D932045S

(12) **United States Design Patent**  
**Shen**

(10) **Patent No.:** **US D932,045 S**

(45) **Date of Patent:** **\*\* Sep. 28, 2021**

(54) **MINI MASSAGE GUN**

(71) Applicant: **SUZHOU PINEAPPLE HEALTH TECHNOLOGY CO., LTD.**, Suzhou (CN)

(72) Inventor: **Guangping Shen**, Fushun (CN)

(73) Assignee: **SUZHOU PINEAPPLE HEALTH TECHNOLOGY CO., LTD.**, Suzhou (CN)

(\*\*) Term: **15 Years**

(21) Appl. No.: **29/734,345**

(22) Filed: **May 12, 2020**

(30) **Foreign Application Priority Data**

Feb. 26, 2020 (CN) ..... 202030060759.5

(51) **LOC (13) Cl.** ..... **28-03**

(52) **U.S. Cl.**  
USPC ..... **D24/215**

(58) **Field of Classification Search**  
USPC ..... D24/200, 211-215  
CPC ..... A61H 7/001; A61H 7/003; A61H 23/00;  
A61H 23/004; A61H 23/006; A61H  
23/06; A61H 2201/0153; A61H  
2201/0157

See application file for complete search history.

(56) **References Cited**

**U.S. PATENT DOCUMENTS**

D895,132 S *	9/2020	Hu	.....	D24/215
D895,133 S *	9/2020	Xu	.....	D24/215
D895,831 S *	9/2020	Chen	.....	D24/215
D898,933 S *	10/2020	Xu	.....	D24/215
D899,620 S *	10/2020	Huang	.....	D24/215
D900,329 S *	10/2020	Xu	.....	D24/215

D905,863 S *	12/2020	Lin	.....	D24/215
D906,533 S *	12/2020	Xu	.....	D24/215
D924,424 S *	7/2021	Wang	.....	D24/215
2021/0121360 A1 *	4/2021	Xie	.....	A61H 23/00

**FOREIGN PATENT DOCUMENTS**

CN	306484161	*	6/2020
CN	306226010	*	8/2020

**OTHER PUBLICATIONS**

Mini massage gun deep tissue massager—dynamini portable percussion muscle massager gun for pain relief—super small & quiet muscle massage gun with easy carry case for on the go usage. Aug. 24, 2020. Retrieved on Jul. 21, 2021. Retrieved from the internet: <https://www.amazon.com/Mini-Massage-Deep-Tissue-Massager/dp/B088D8QY1N?th=1>.\*

(Continued)

*Primary Examiner* — Wan Laymon

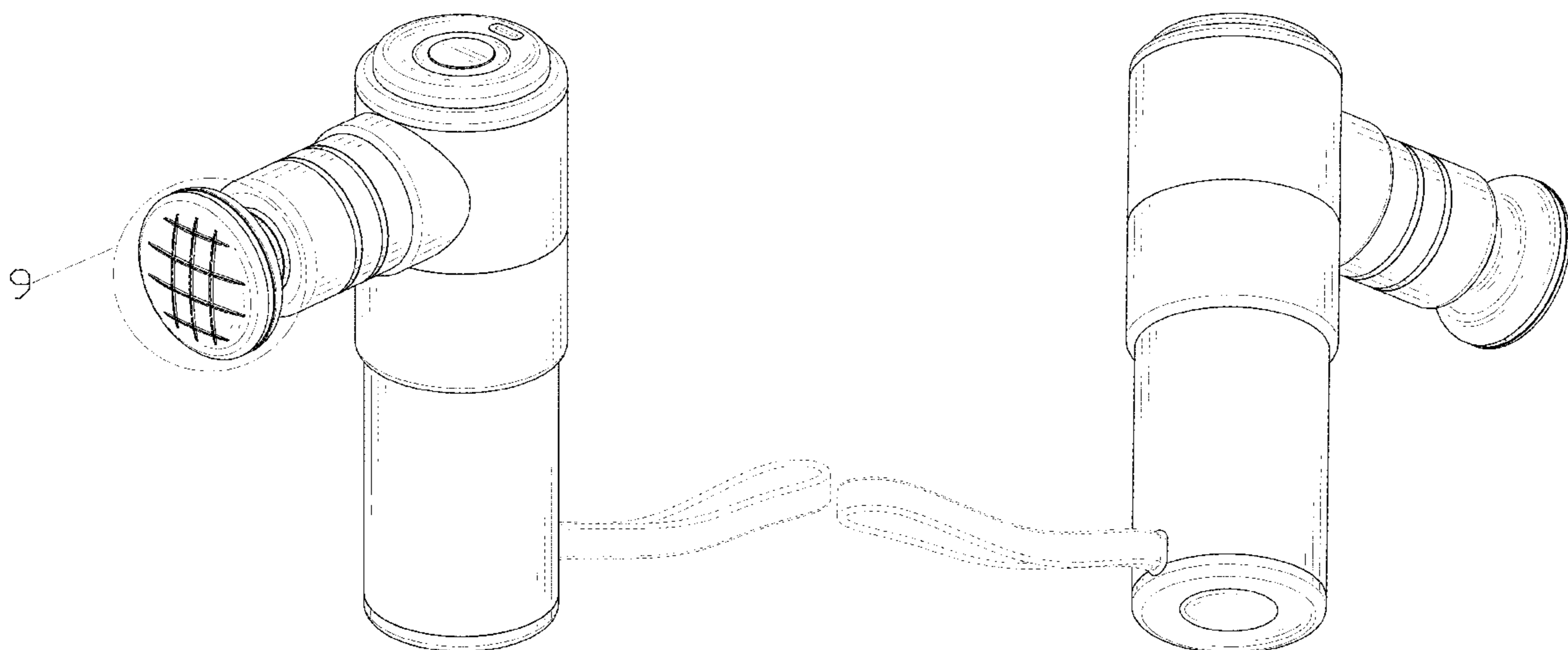
(57) **CLAIM**

The ornamental design for a mini massage gun, as shown and described.

**DESCRIPTION**

FIG. 1 is a perspective view of a mini massage gun showing my new design;  
FIG. 2 is another perspective view thereof;  
FIG. 3 is a front elevational view thereof;  
FIG. 4 is a rear elevational view thereof;  
FIG. 5 is a left side elevational view thereof;  
FIG. 6 is a right side elevational view thereof;  
FIG. 7 is a top plan view thereof;  
FIG. 8 is a bottom plan view thereof;  
FIG. 9 is an enlarged view of portion 9 shown in FIG. 1; and,  
FIG. 10 is an enlarged view of portion 10 shown in FIG. 5.  
The broken lines in the drawings depict portions of the mini massage gun that form no part of the claimed design.

**1 Claim, 10 Drawing Sheets**



(56)

**References Cited**

OTHER PUBLICATIONS

Booster Mini electric muscle massage gun pocket neck muscle massager pain therapy for body massage relaxation pain relief. Retrieved Jul. 21, 2021. Retrieved from the internet: <https://www.aliexpress.com/i/4000917252533.html>.\*

\* cited by examiner

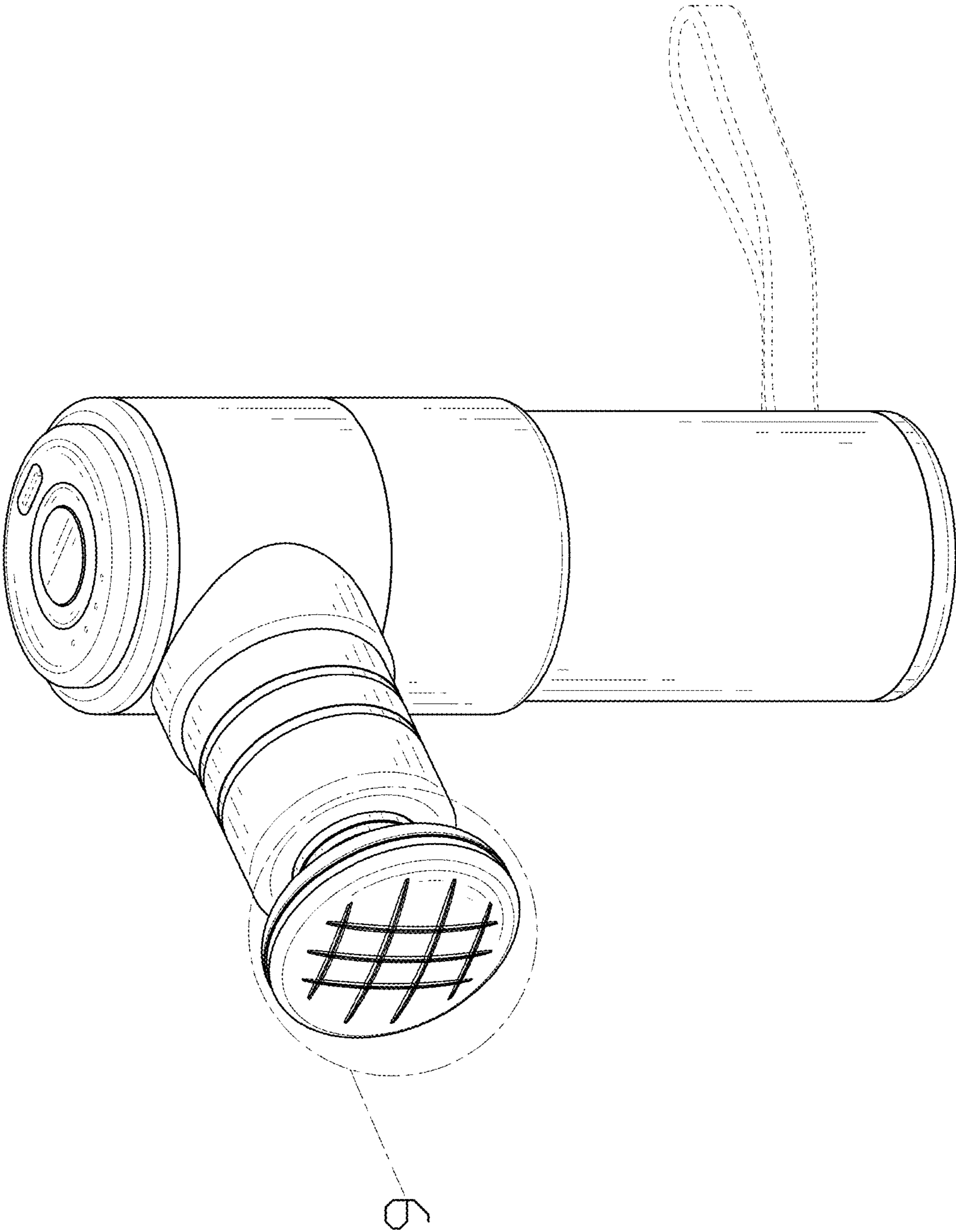


FIG. 1

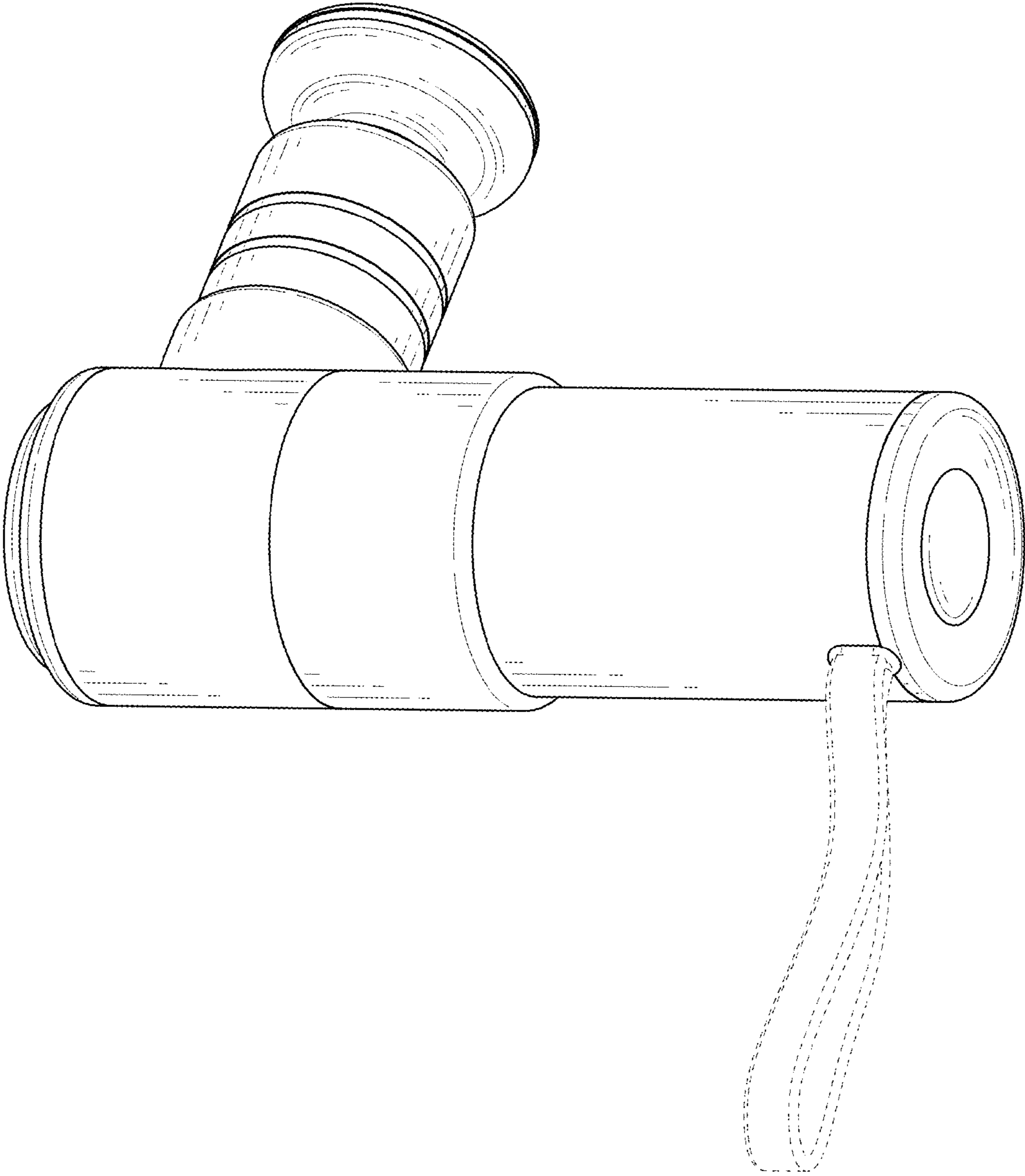


FIG. 2

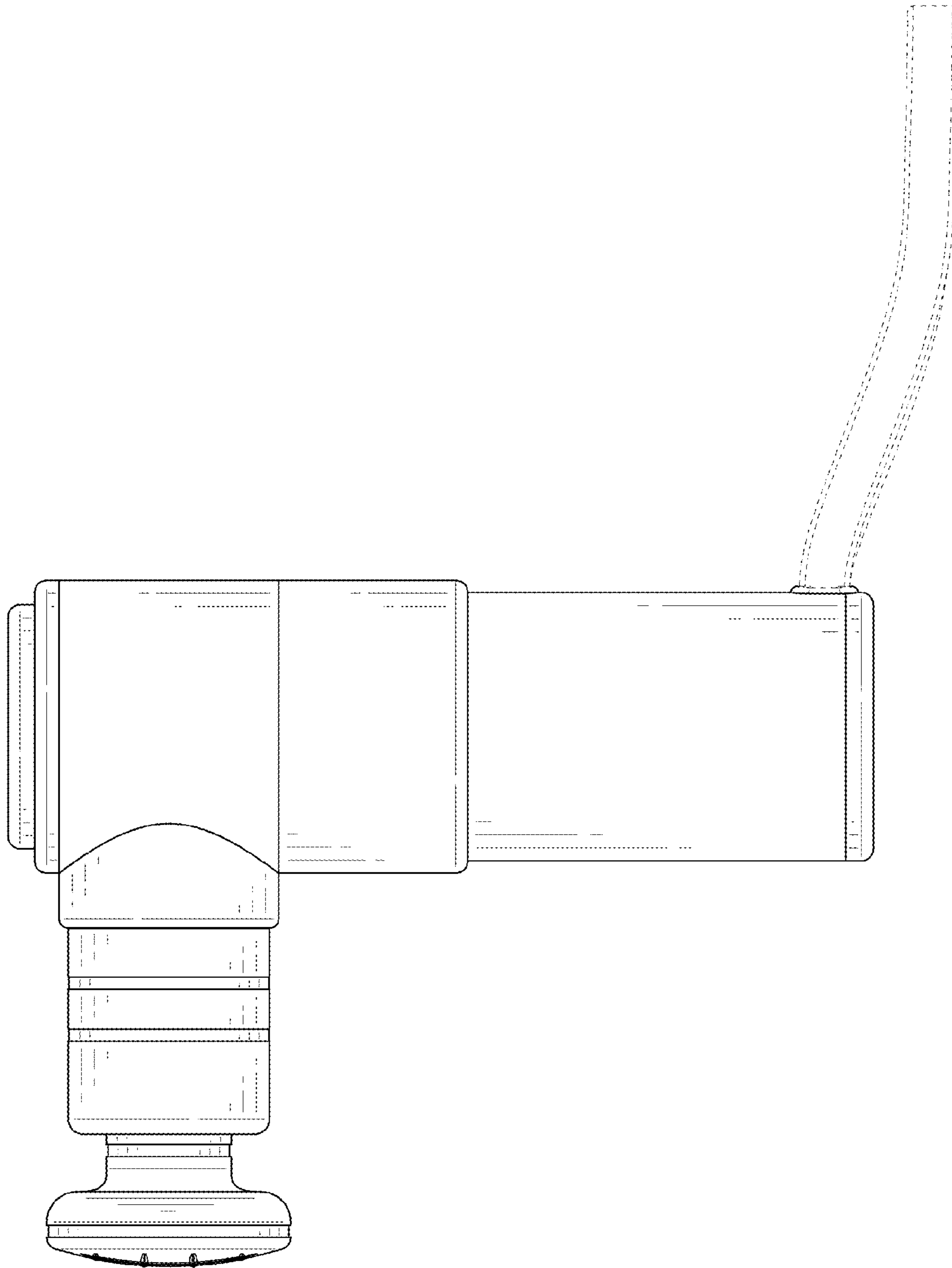


FIG. 3

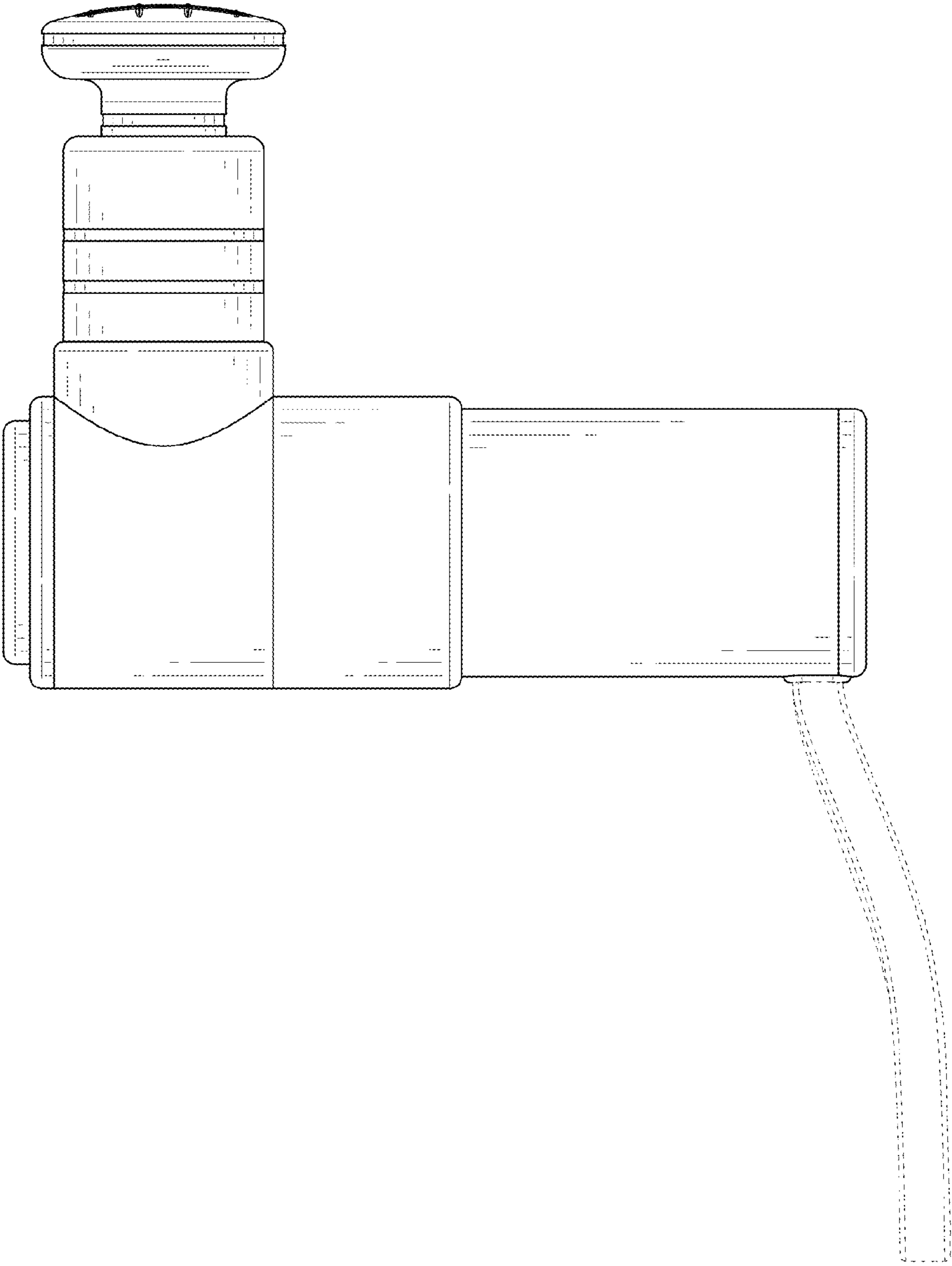


FIG. 4

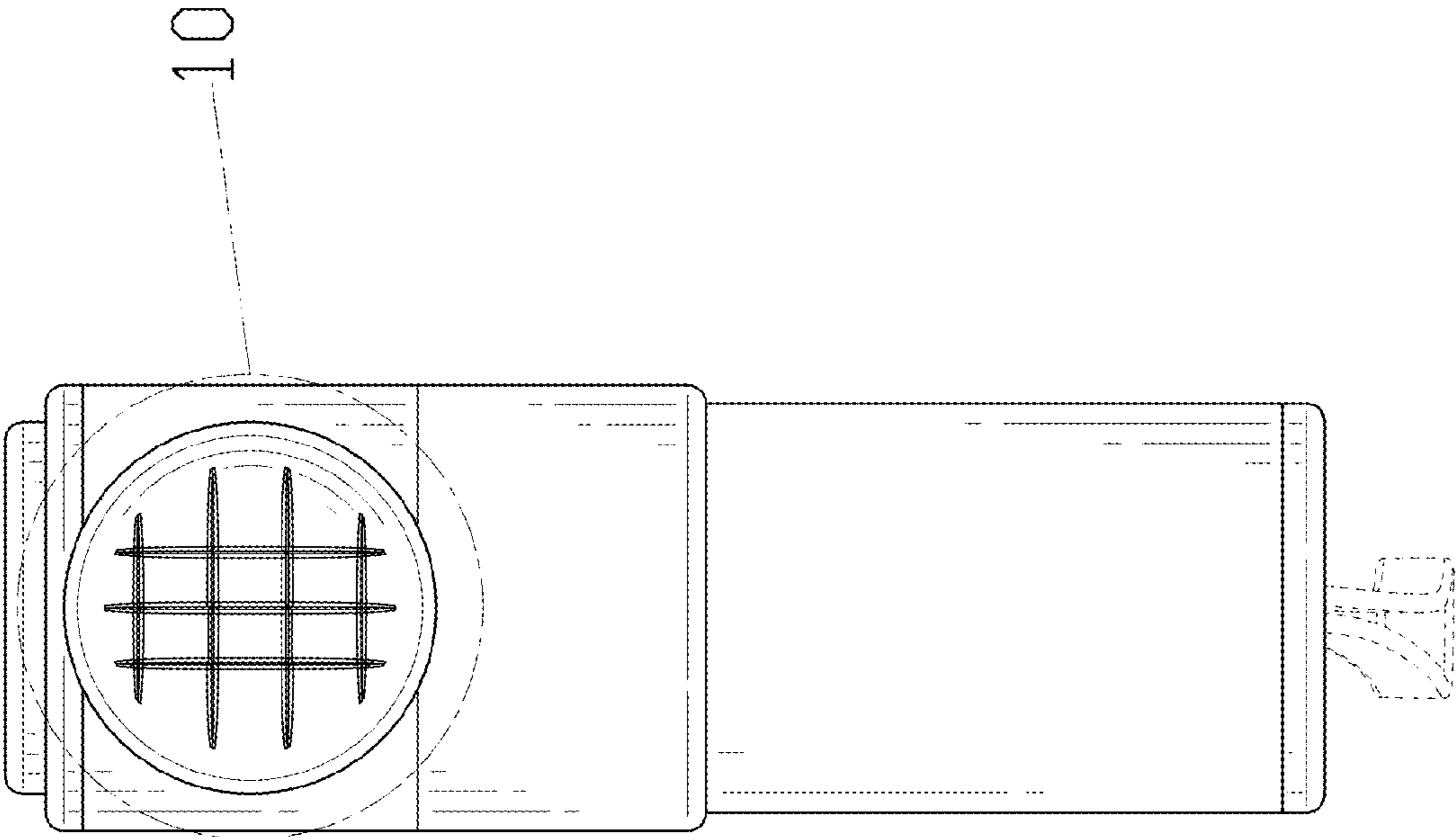


FIG. 5

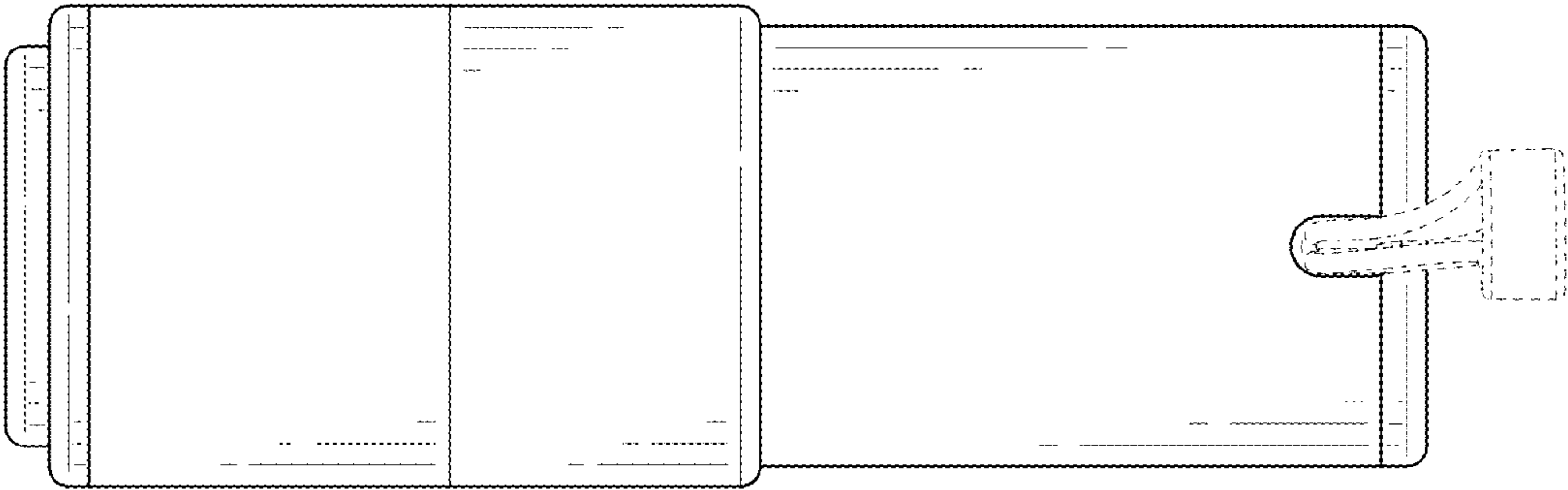


FIG. 6



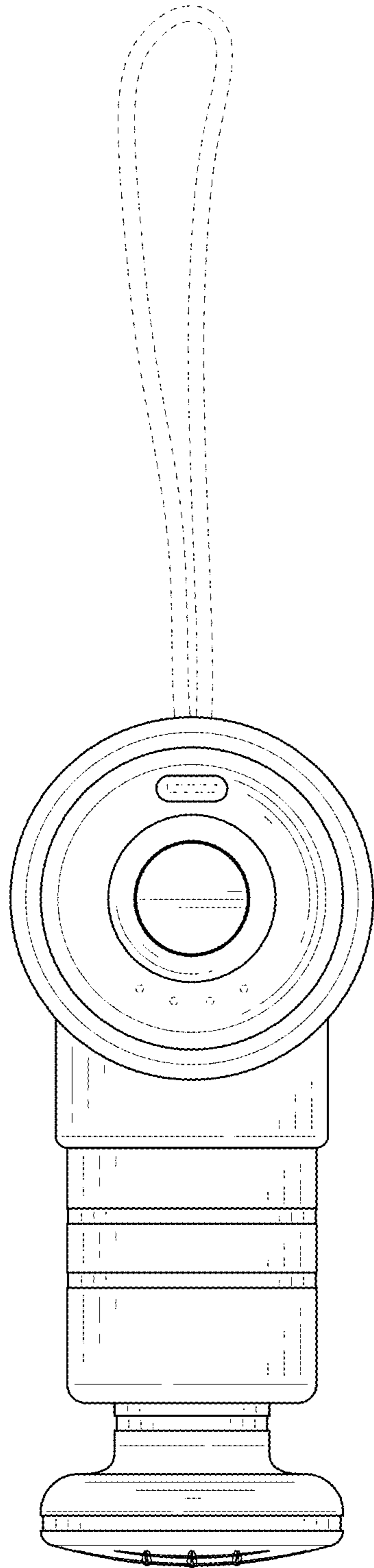


FIG. 7

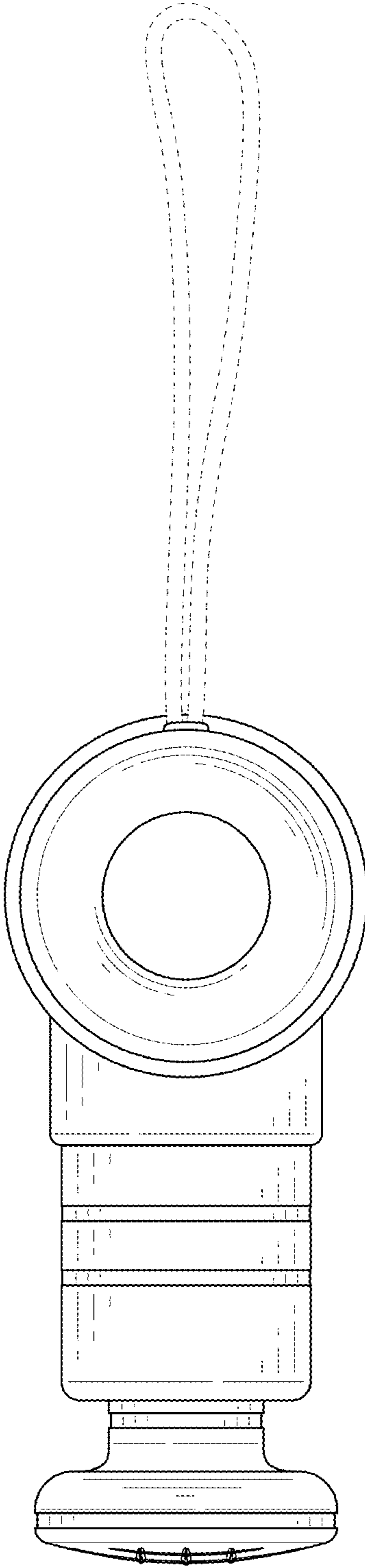


FIG. 8

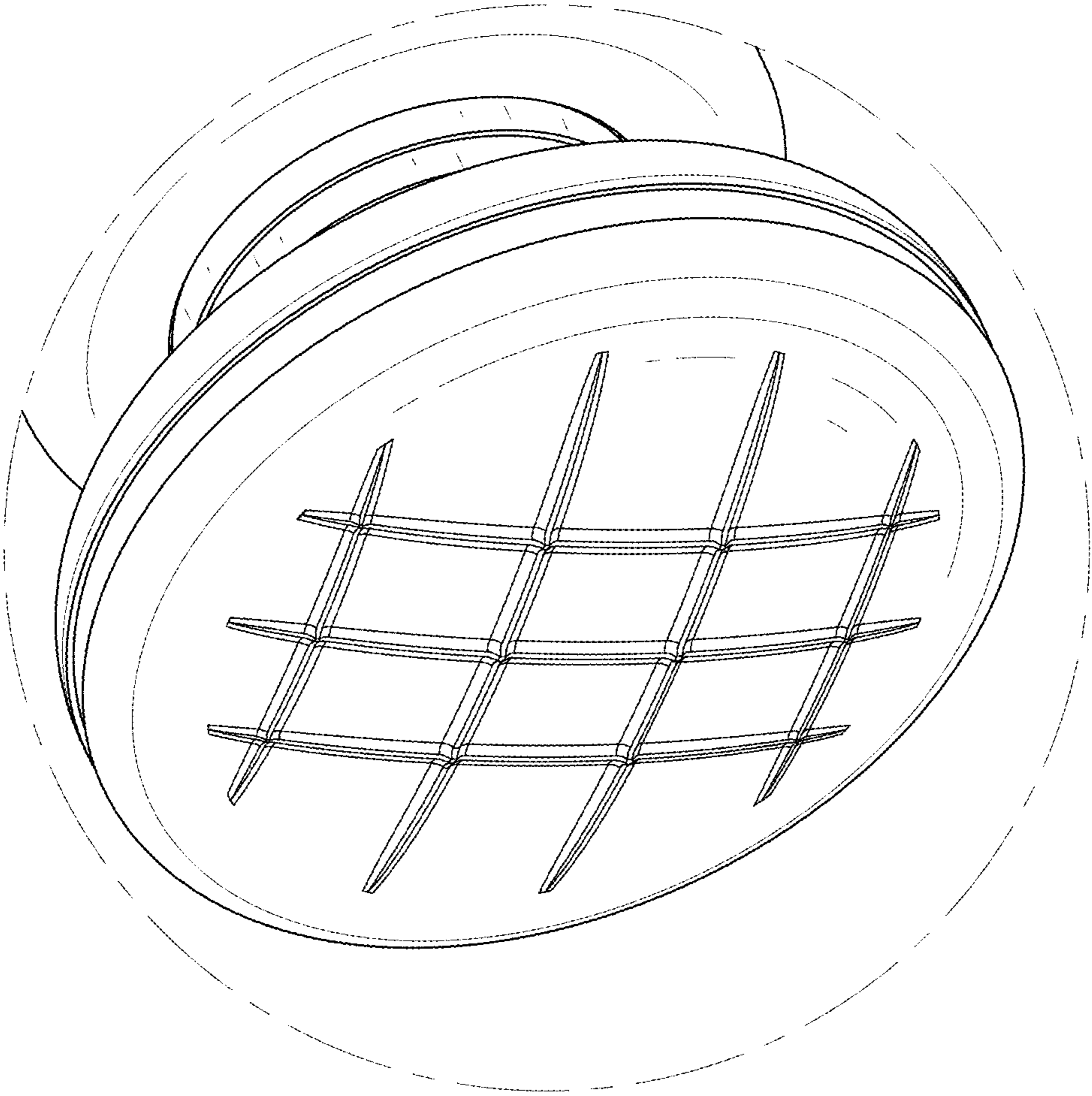


FIG. 9

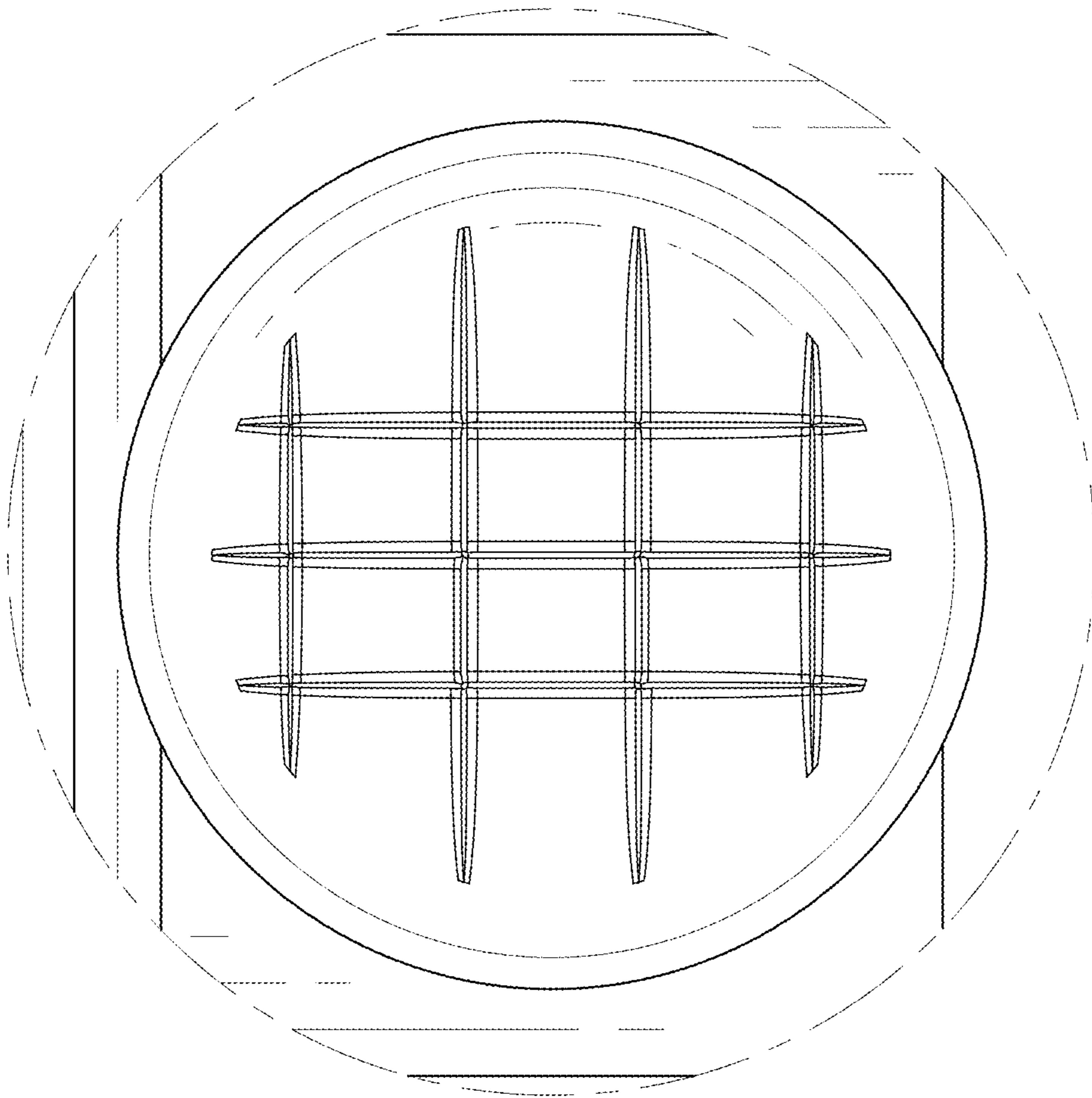


FIG. 10