



US00D932041S

(12) **United States Design Patent** (10) **Patent No.:** **US D932,041 S**
Sedic (45) **Date of Patent:** **** *Sep. 28, 2021**

(54) **STIMULATION DEVICE**
(71) Applicant: **FOREO Inc.**
(72) Inventor: **Filip Sedic, Stockholm (SE)**
(73) Assignee: **FOREO Inc., Las Vegas, NV (US)**
(*) Notice: This patent is subject to a terminal disclaimer.

D715,954 S * 10/2014 Sedic A61H 23/004
D24/215
D737,990 S * 9/2015 Lee D24/215
D773,064 S * 11/2016 Sedic D24/214
D810,680 S * 2/2018 Carreon D13/108
D815,292 S * 4/2018 Goldman D24/186
D829,335 S * 9/2018 Park D24/215
D835,796 S * 12/2018 Sedic D24/215
D837,994 S * 1/2019 Sedic D24/214
D844,800 S * 4/2019 Ehret D24/215

(Continued)

(**) Term: **15 Years**

OTHER PUBLICATIONS

(21) Appl. No.: **29/705,120**
(22) Filed: **Sep. 10, 2019**
(51) **LOC (13) Cl.** **28-03**
(52) **U.S. Cl.**
USPC **D24/215**
(58) **Field of Classification Search**
USPC D24/200, 211, 212, 213, 214, 215;
D28/7, 78
CPC ... A61H 2015/0042; A61H 7/007; A61H 9/00
See application file for complete search history.

SkinStore, "BEAR Mini", Jan. 7, 2021. https://www.skinstore.com/foreo-bear-mini-app-connected-microcurrent-facial-device-lavender/12578822.html?affil=thggpsad&switchcurrency=USD&shippingcountry=US&thg_ppc_campaign=71700000015222123&gclid=Cj0KCQiA0-6ABhDMARIsAFVdQv8BJnwtZcs8oi6Md4_3vV5XMIeLMj2bTK. (Year: 2021).*

(Continued)

Primary Examiner — Cynthia Ramirez
Assistant Examiner — Michael A Maharajh
(74) *Attorney, Agent, or Firm* — Evan Feldstein

(56) **References Cited**

(57) **CLAIM**

U.S. PATENT DOCUMENTS

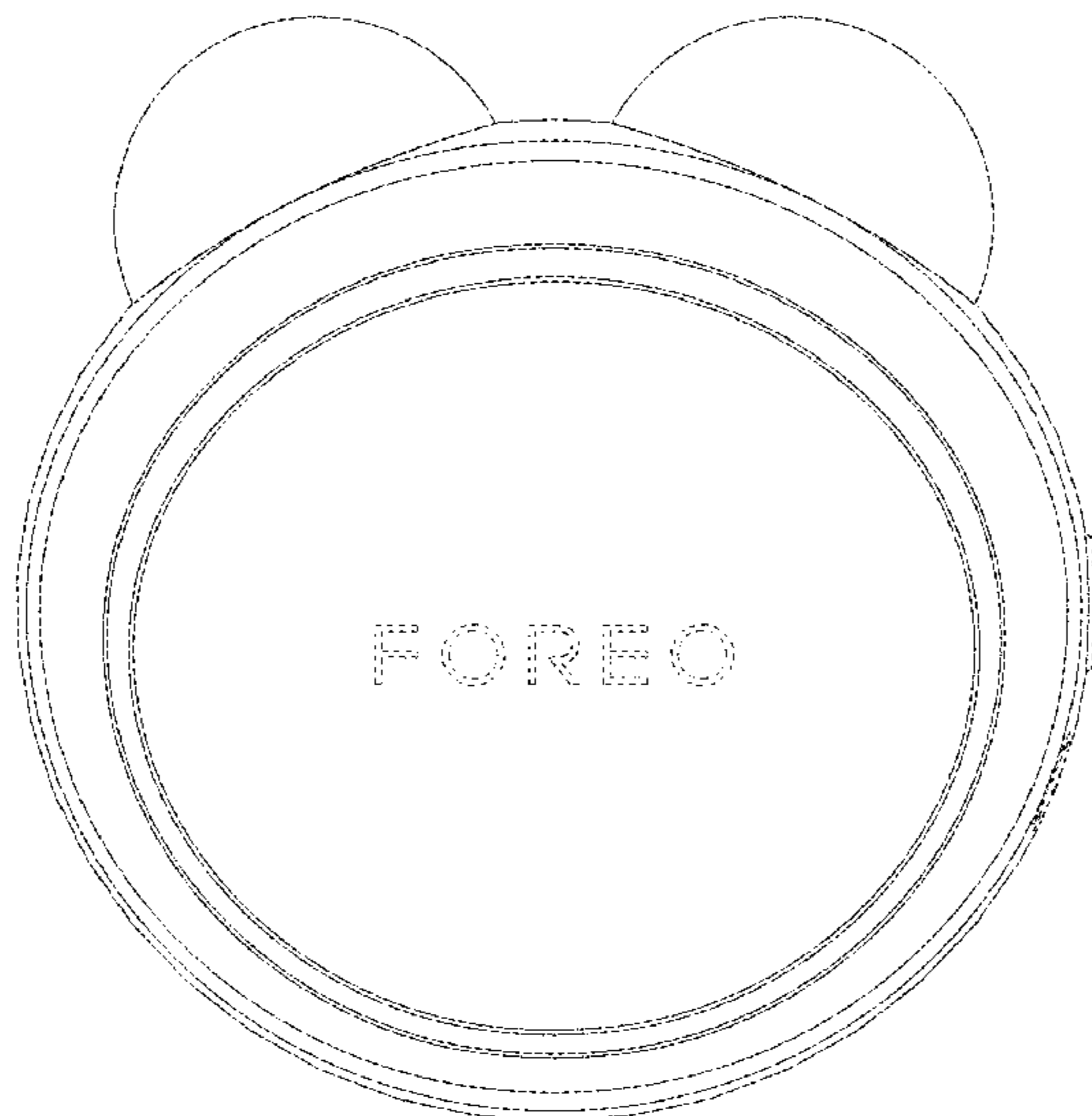
I claim the ornamental design for a stimulation device, as shown and described.

D319,105 S * 8/1991 Cheng D24/215
D361,386 S * 8/1995 Vandebelt D24/211
D369,220 S * 4/1996 Huang D24/215
D454,644 S * 3/2002 York D24/214
D469,880 S * 2/2003 York D24/214
D502,264 S * 2/2005 Timmer D24/211
D507,057 S * 7/2005 Timmer D24/211
D571,926 S * 6/2008 Wu D24/215
D576,736 S * 9/2008 Hagege D24/215
D581,543 S * 11/2008 Ferber D24/215
D585,994 S * 2/2009 Mulhauser D24/133
D602,915 S * 10/2009 Song D14/218
D606,191 S * 12/2009 Bellifemine D24/133
D648,861 S * 11/2011 Chong D24/215
D664,932 S * 8/2012 Sedic D13/168
D665,915 S * 8/2012 Ma D24/215
D667,131 S * 9/2012 Faussett D24/215

DESCRIPTION

FIG. 1 is a front view of a stimulation device.
FIG. 2 is a left side view of the stimulation device.
FIG. 3 is a right side view of the stimulation device.
FIG. 4 is a rear view of the stimulation device.
FIG. 5 is a top view of the stimulation device.
FIG. 6 is a bottom view of the stimulation device; and,
FIG. 7 is a perspective view of the stimulation device.
The broken lines are directed to environment and are for illustrative purposes only; the broken lines form no part of the claimed design.

1 Claim, 7 Drawing Sheets



(56)

References Cited

U.S. PATENT DOCUMENTS

D850,644 S * 6/2019 Sedic D24/215
 D852,972 S * 7/2019 Sedic D24/214
 D857,221 S * 8/2019 Sedic D24/215
 D857,299 S * 8/2019 Tammabattula D28/63
 D861,989 S * 10/2019 Jeong D28/78
 D863,586 S * 10/2019 Miller D24/214
 D866,074 S * 11/2019 Tammabattula D28/63
 D866,075 S * 11/2019 Tammabattula D28/63
 D866,783 S * 11/2019 Sedic D24/211
 D868,278 S * 11/2019 Smith D24/211
 D868,370 S * 11/2019 Farrugia D28/7
 D870,896 S * 12/2019 Komaki D24/186
 D882,807 S * 4/2020 Xiong D24/214
 D886,642 S * 6/2020 Zhou D10/22
 D895,821 S * 9/2020 Lin D24/200
 D899,610 S * 10/2020 Yang D24/200
 D902,425 S * 11/2020 Cornaro D24/215
 D902,426 S * 11/2020 Cornaro D24/215

D903,891 S * 12/2020 Sedic D24/215
 D903,892 S * 12/2020 Sedic D24/215
 D904,636 S * 12/2020 Delassus D24/214
 D907,791 S * 1/2021 Ackermann D24/215
 2013/0108354 A1 * 5/2013 Fischer A45D 40/264
 401/261
 2018/0344007 A1 * 12/2018 Huang A45D 34/04

OTHER PUBLICATIONS

Foreo, "Bear Mini Device", Feb. 4, 2021. <https://www.foreo.com/bear-range?v=1627&p=126>. Shown on p. 1. (Year: 2021).*
 Amazon, "Foreo Bear Mini", Oct. 26, 2020. https://www.amazon.com/FOREO-App-connected-Microcurrent-Intensities-Lavender/dp/B08G9B22QS/ref=sr_1_1_sspa?dchild=1&keywords=foreo+bear+mini&qid=1612440936&sr=8-1-spons&psc=1&spLa=ZW5jcmlwdGVkUXVhbGlmaWVyPUEwS09BWjJDOVYUUDI4JmVuY3J5cHRlZElkPUEwMTI3OTk5MUdFN0. (Year: 2020).*

* cited by examiner



FIG. 1

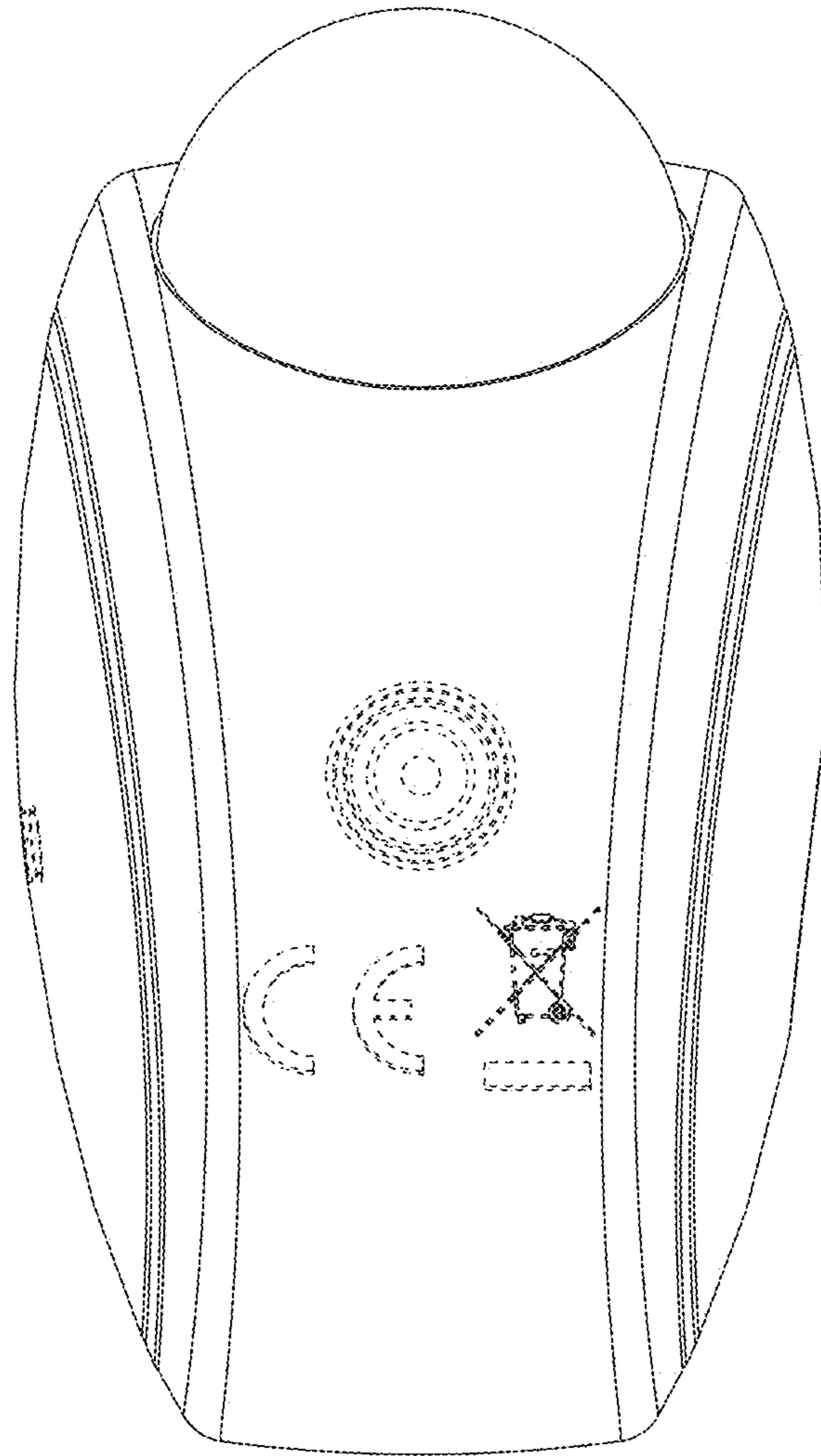


FIG. 2

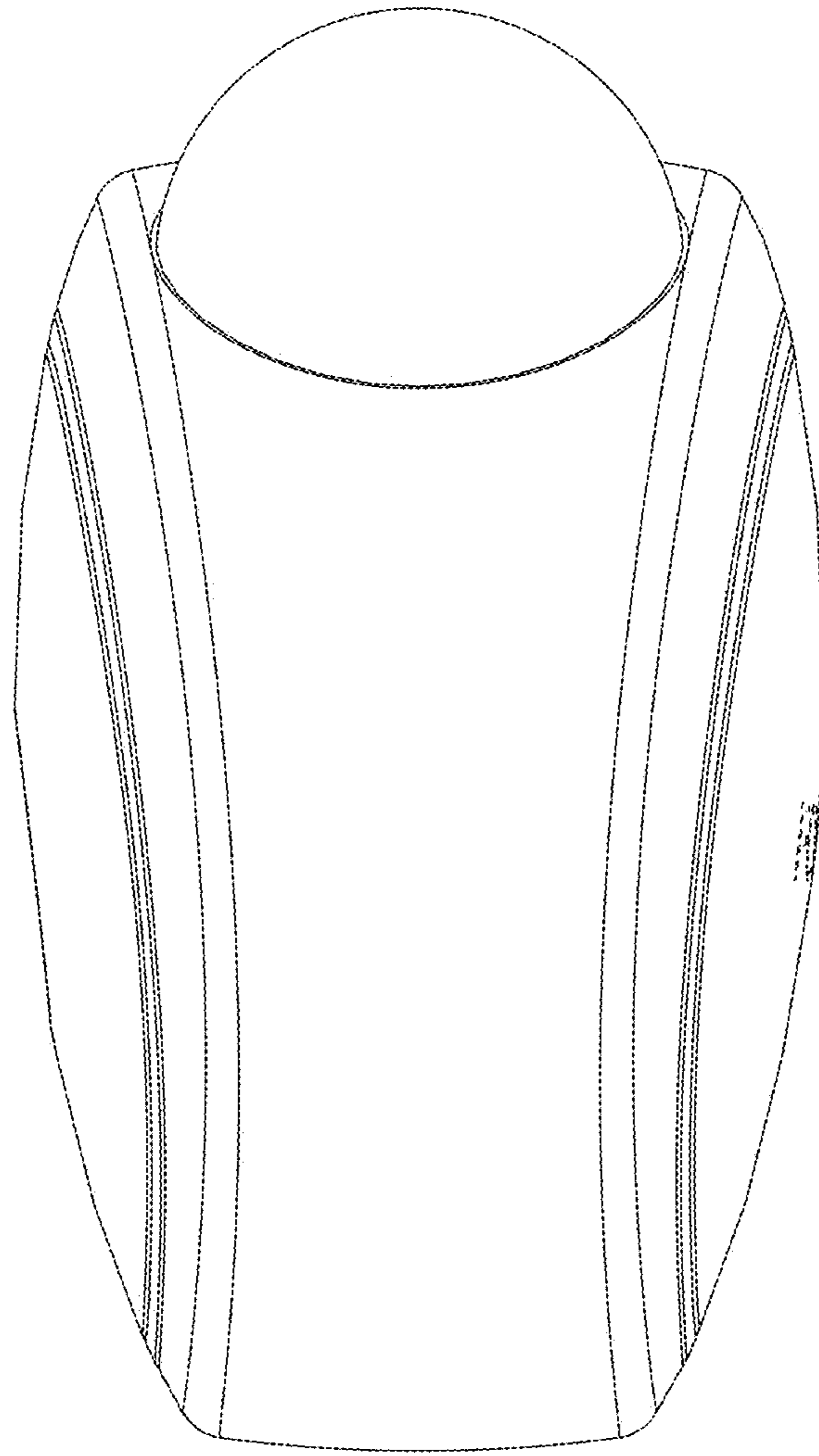


FIG. 3

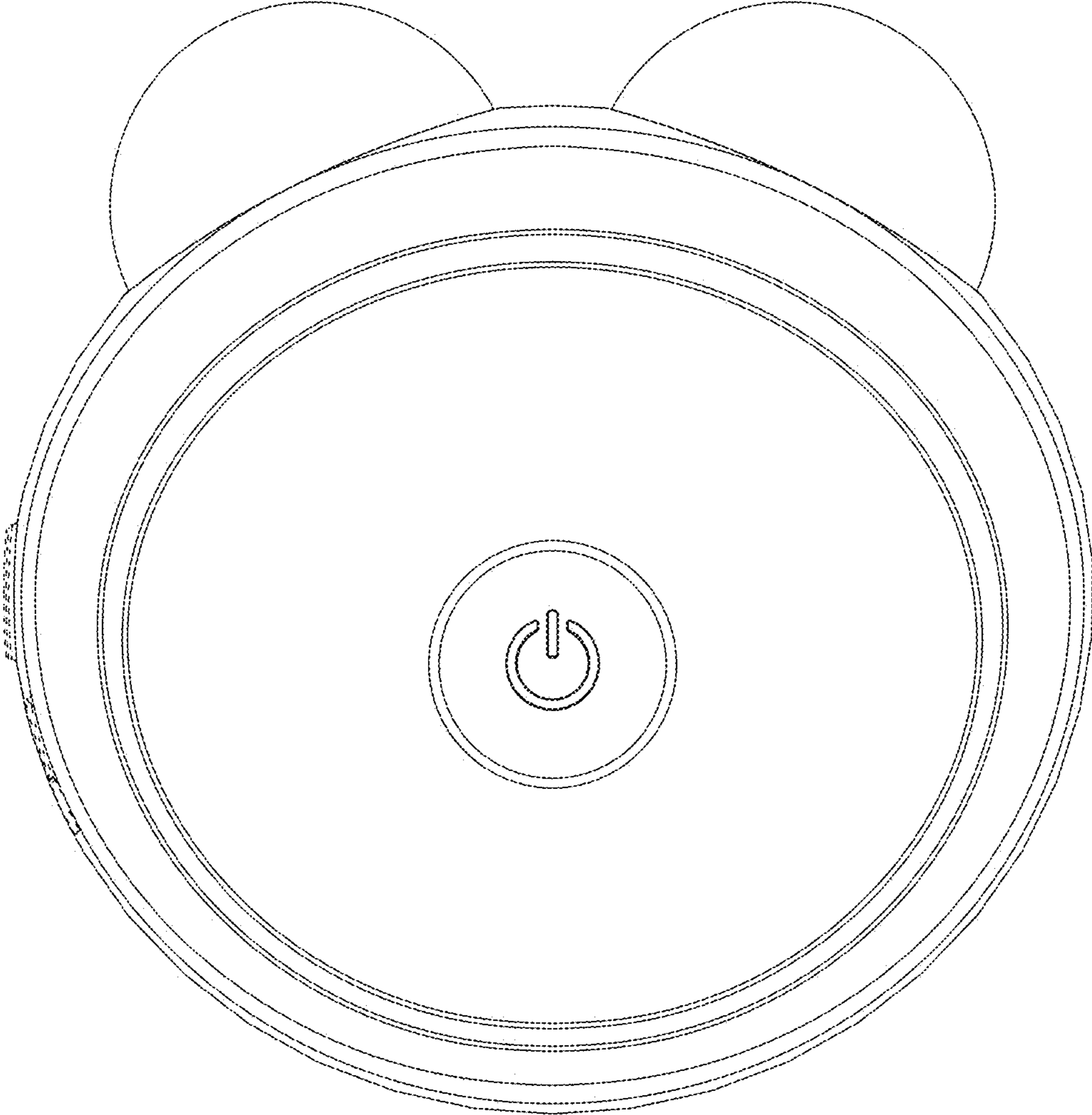


FIG. 4

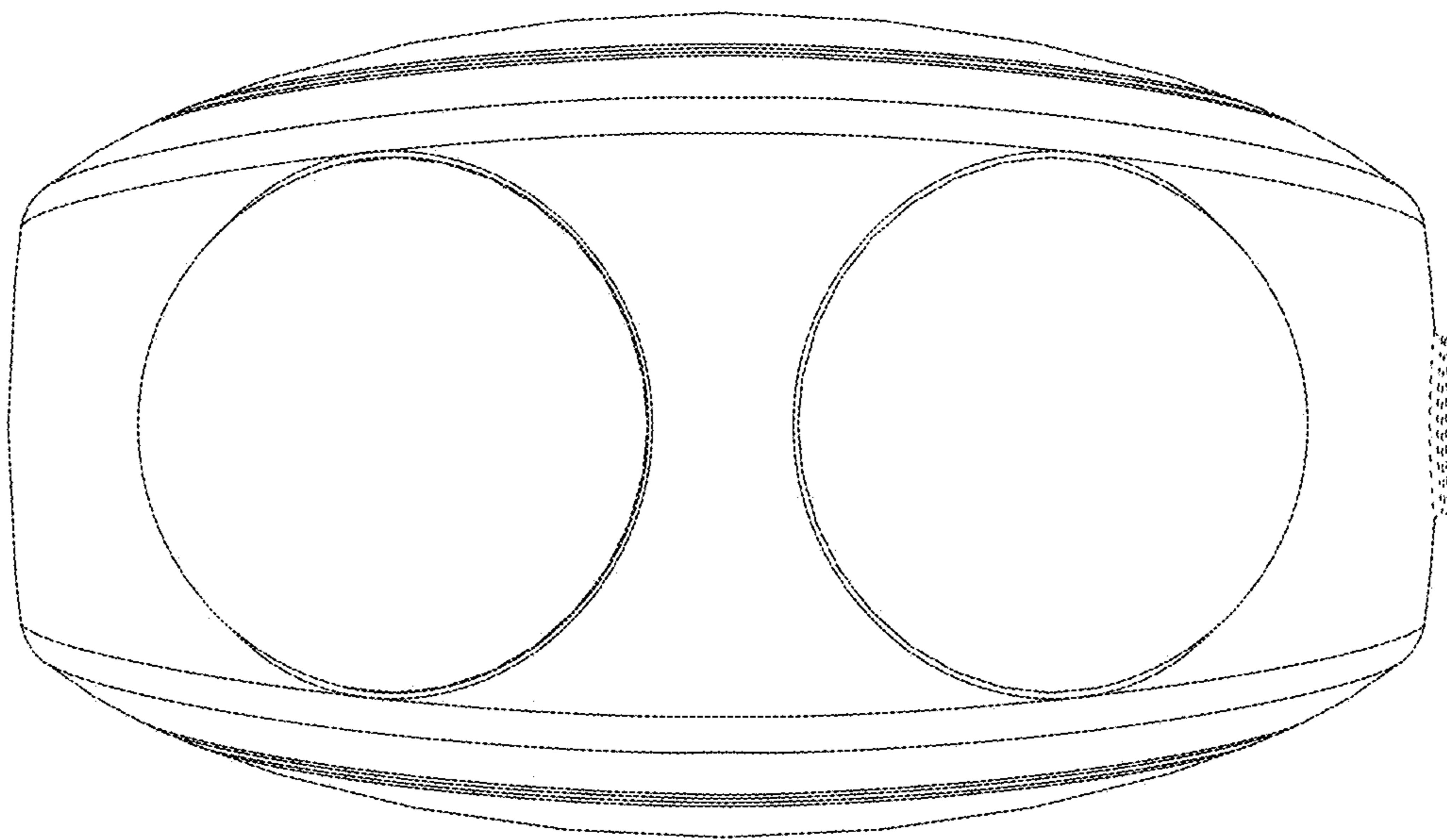


FIG. 5

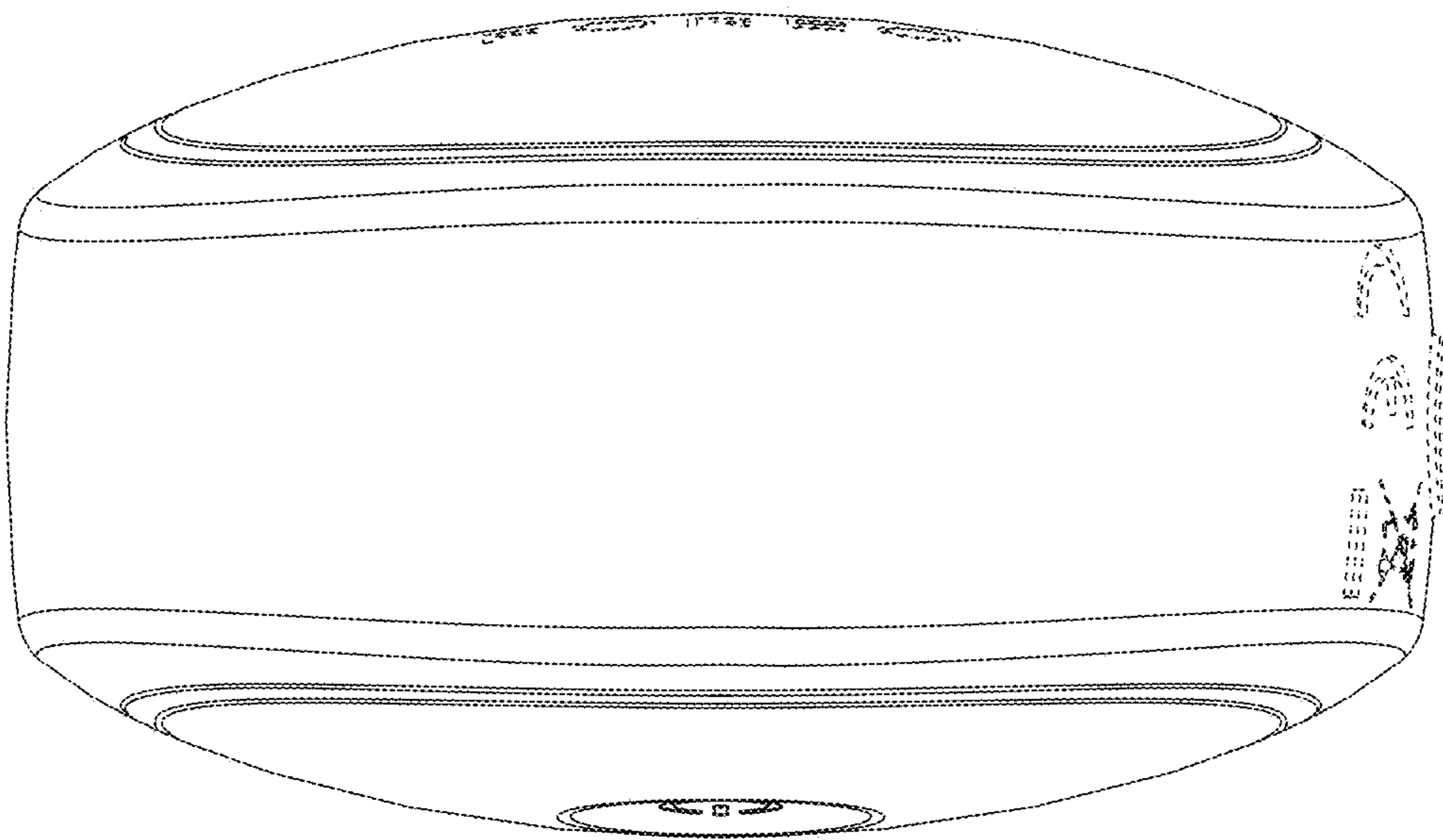


FIG. 6

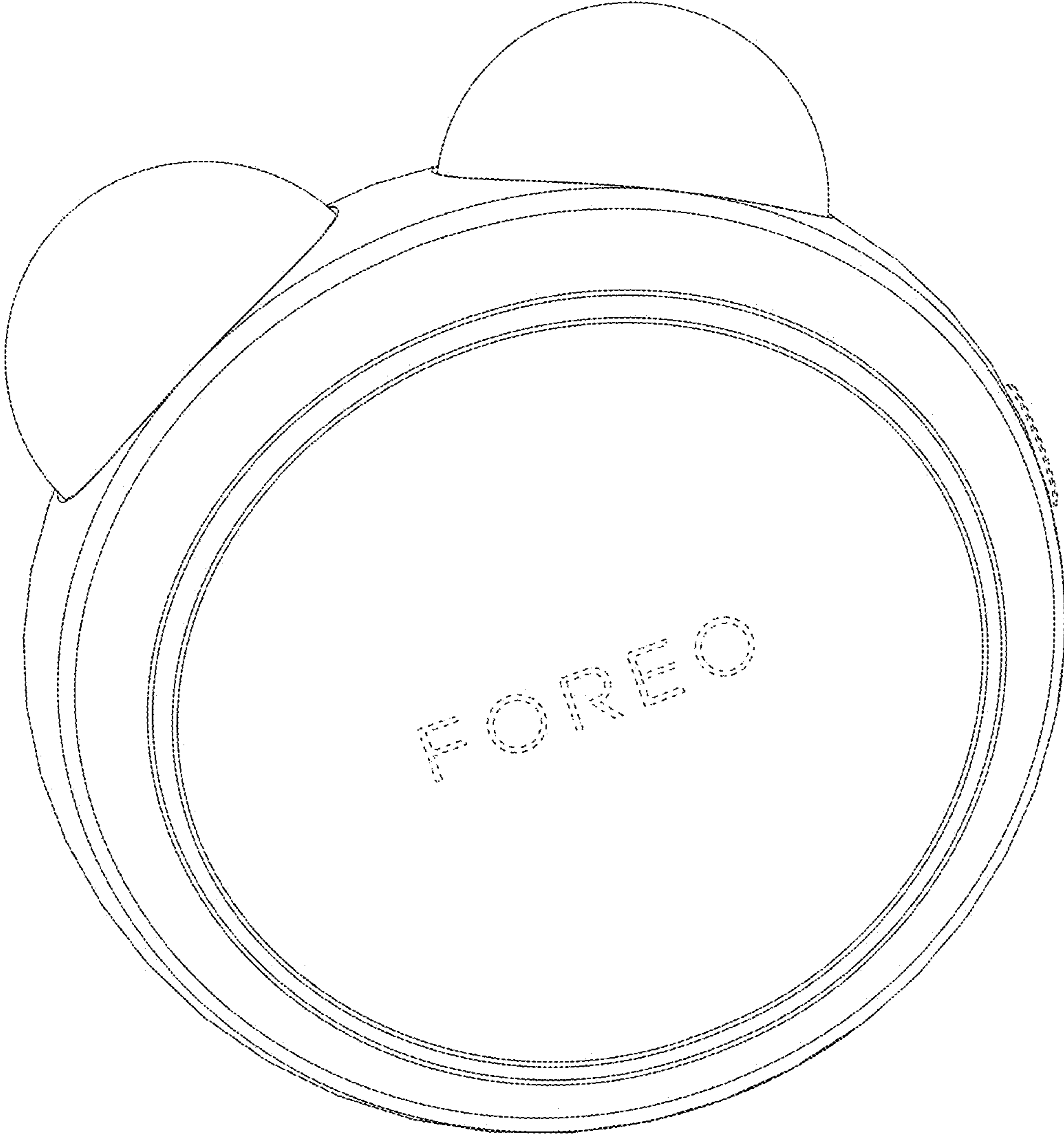


FIG. 7