



US00D932039S

(12) **United States Design Patent** (10) **Patent No.:** **US D932,039 S**
Yu (45) **Date of Patent:** **** Sep. 28, 2021**

(54) **MUSCLE MASSAGE APPARATUS**
(71) Applicant: **Shengguo Yu**, Dongguan (CN)
(72) Inventor: **Shengguo Yu**, Dongguan (CN)
(**) Term: **15 Years**
(21) Appl. No.: **29/705,039**
(22) Filed: **Sep. 9, 2019**
(51) **LOC (13) Cl.** **28-03**
(52) **U.S. Cl.**
USPC **D24/215**
(58) **Field of Classification Search**
USPC D24/200, 211, 212, 213, 214, 215;
D8/14.1
CPC A61H 2015/0014; A61H 15/00; A61H
2015/0042
See application file for complete search history.

D893,738 S * 8/2020 Zhuang D24/215
D895,132 S * 9/2020 Hu D24/215
D895,133 S * 9/2020 Xu D24/215
D895,135 S * 9/2020 Xu D24/215
D895,829 S * 9/2020 Hu D24/215
D895,831 S * 9/2020 Chen D24/215
D896,396 S * 9/2020 Wersland D24/215
D898,209 S * 10/2020 Xu D24/214
D898,933 S * 10/2020 Xu D24/215
D899,620 S * 10/2020 Huang D24/215
D900,329 S * 10/2020 Xu D24/215
D905,863 S * 12/2020 Lin D24/215

(Continued)

OTHER PUBLICATIONS

Youtube, "RENPHO Massage Gun", Dec. 3, 2019. <https://www.youtube.com/watch?v=A6sSNS6MklQ>. Shown at the 0:20 second mark. (Year: 2019).*

(Continued)

Primary Examiner — Cynthia Ramirez

Assistant Examiner — Michael A Maharajh

(74) *Attorney, Agent, or Firm* — Rumit Ranjit Kanakia

(56) **References Cited**

U.S. PATENT DOCUMENTS

D616,558 S * 5/2010 Tsai D24/200
D847,364 S * 4/2019 Lee D24/215
10,314,762 B1 * 6/2019 Marton A61H 23/006
D855,822 S * 8/2019 Marton D24/215
D866,790 S * 11/2019 Lee D24/215
D872,869 S * 1/2020 Lu D24/215
D873,432 S * 1/2020 Duan D24/214
D874,015 S * 1/2020 Marton D24/215
D875,961 S * 2/2020 Li D24/211
D877,351 S * 3/2020 Wersland D24/215
D879,985 S * 3/2020 Wersland D24/214
D879,986 S * 3/2020 Wersland D24/214
D880,714 S * 4/2020 Wersland D24/215
D880,715 S * 4/2020 Wersland D24/215
D880,716 S * 4/2020 Wersland D24/215
D884,207 S * 5/2020 Ma D24/215
D884,915 S * 5/2020 Wersland D24/215
D885,601 S * 5/2020 Wersland D24/215
D886,317 S * 6/2020 Marton D24/215
D887,573 S * 6/2020 Wersland D24/215

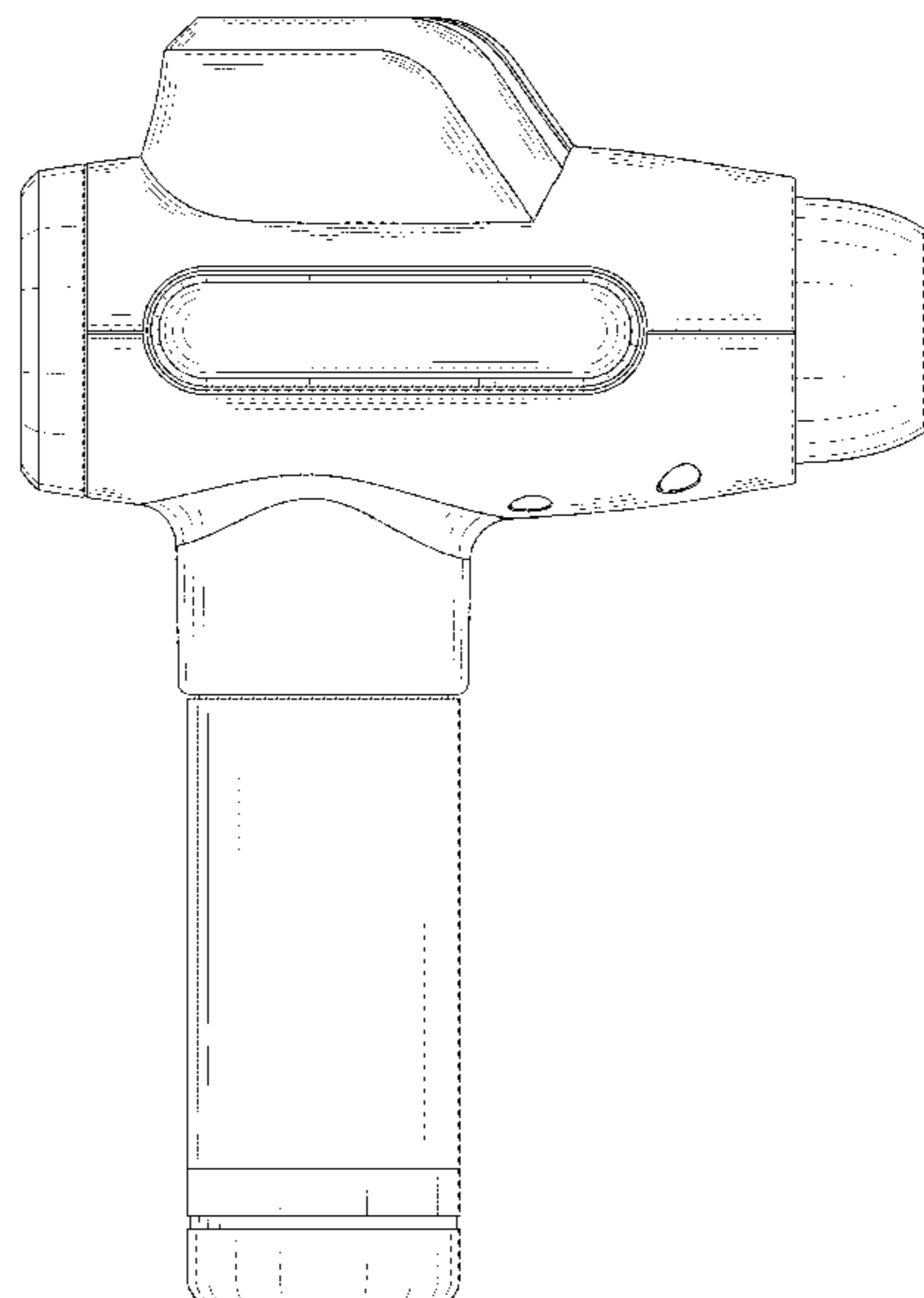
(57) **CLAIM**

The ornamental design for a muscle massage apparatus, as shown and described.

DESCRIPTION

FIG. 1 is a front elevational view of a muscle massage apparatus showing my new design;
FIG. 2 is a rear elevational view thereof;
FIG. 3 is a left side view thereof;
FIG. 4 is a right-side view thereof;
FIG. 5 is a top plan view thereof;
FIG. 6 is a bottom plan view thereof;
FIG. 7 is a first perspective view thereof; and,
FIG. 8 is a second perspective view thereof.

1 Claim, 8 Drawing Sheets



(56)

References Cited

U.S. PATENT DOCUMENTS

D906,533 S * 12/2020 Xu D24/215
D907,229 S * 1/2021 Zhang D24/215
D907,230 S * 1/2021 Zhang D24/215
D908,908 S * 1/2021 Xu D24/215
D910,194 S * 2/2021 Radtke D24/215
D911,535 S * 2/2021 Yu D24/200
D912,267 S * 3/2021 Tang D24/215
D912,268 S * 3/2021 Xiang D24/215
D912,835 S * 3/2021 Ren D24/200
D913,516 S * 3/2021 Zhang D24/215
D913,517 S * 3/2021 Yu D24/215
2018/0200141 A1 * 7/2018 Wersland A61H 23/006

OTHER PUBLICATIONS

Renpho, "C3 Massage Gun", Apr. 15, 2021. <https://renpho.com/products/c3-massage-gun?variant=32671961972821>. Shown on p. 1. (Year: 2021).*

Amazon, "RENPHO C3 Deep Tissue Muscle Massager" Dec. 24, 2019. https://www.amazon.com/RENPHO-Massager-Powerful-Percussion-Stiffness/dp/B07Y8FMB4F/ref=cm_cr_arp_d_product_top?ie=UTF8. Shown on p. 1. (Year: 2019).*

* cited by examiner

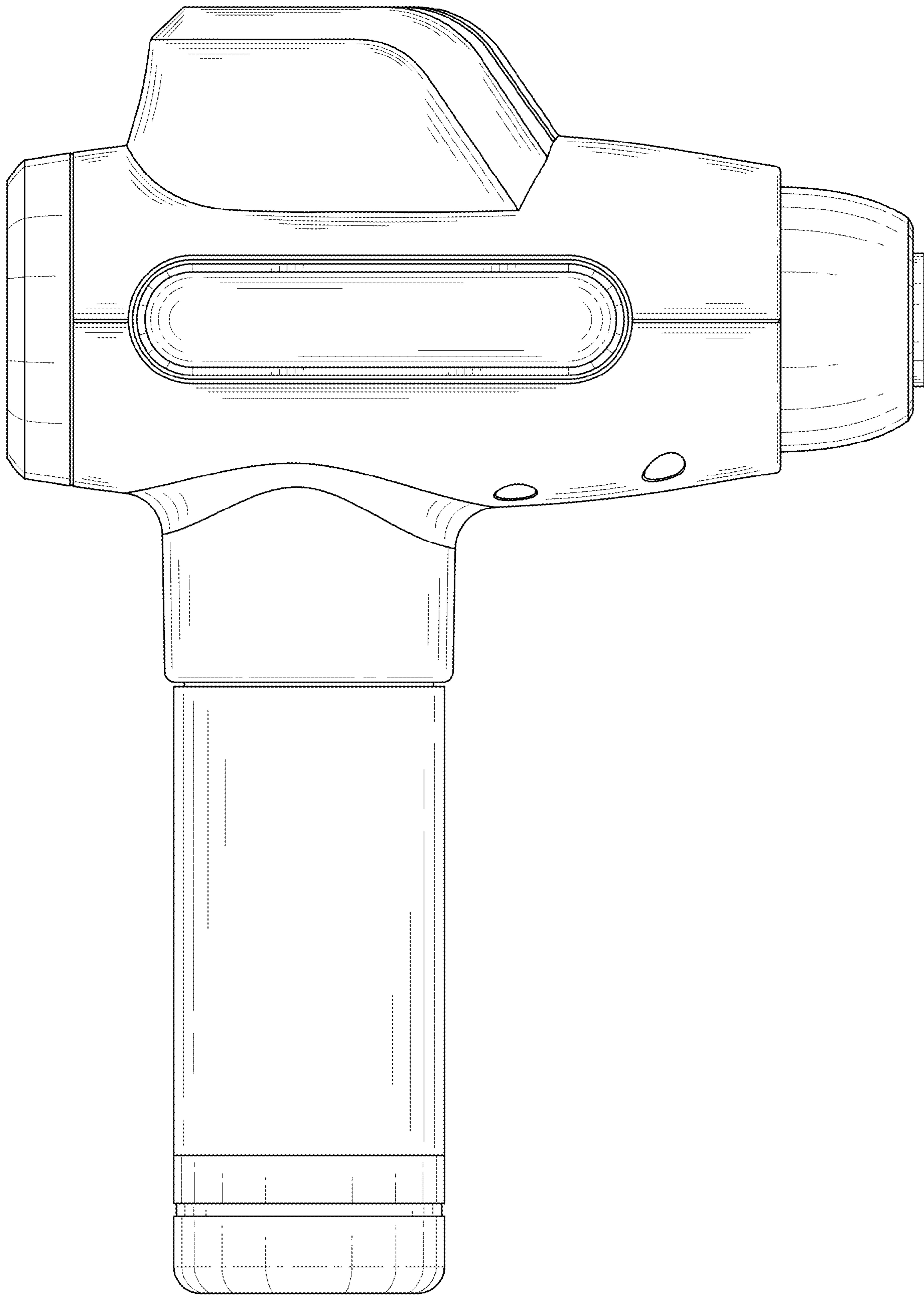


FIG. 1

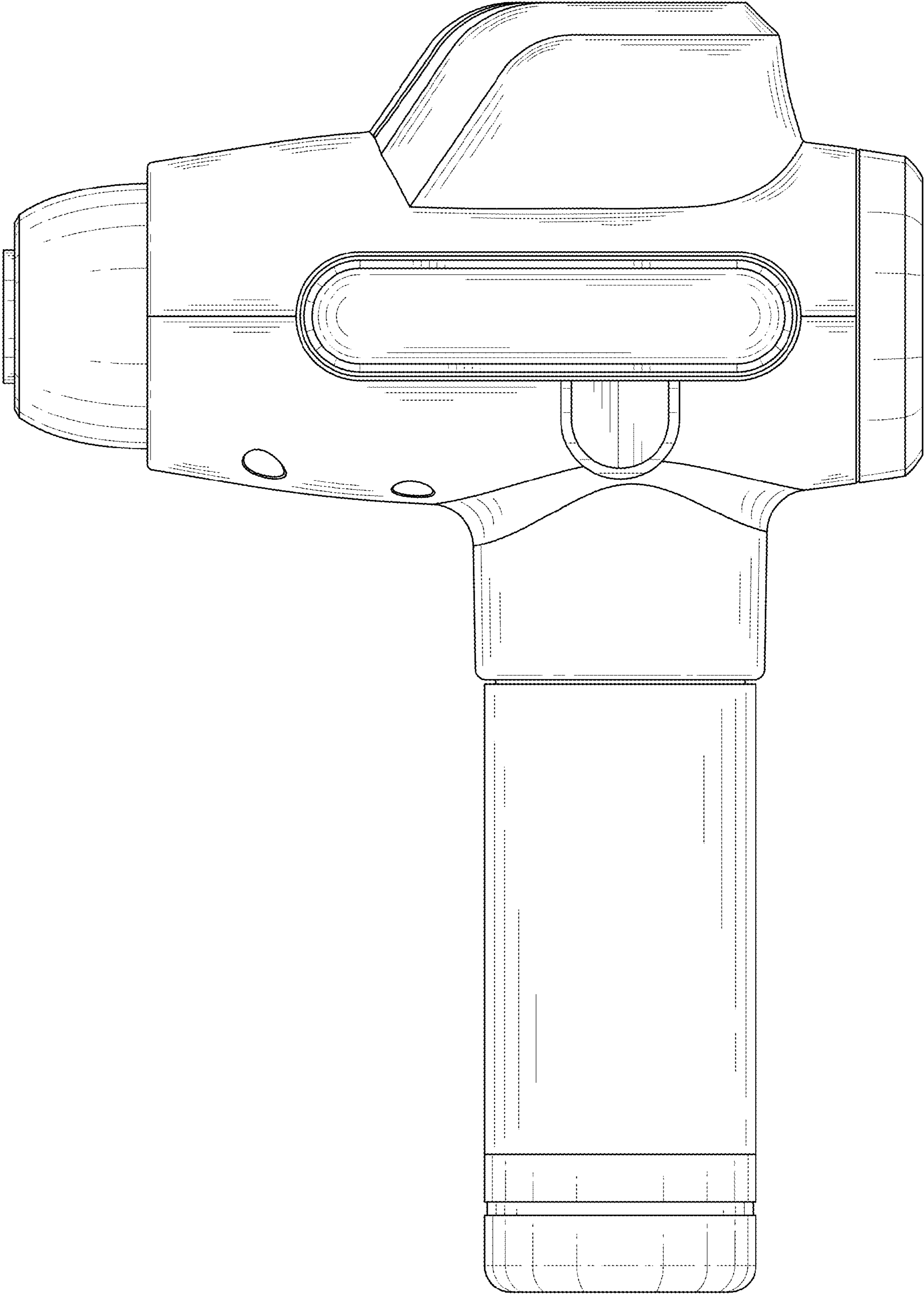


FIG. 2

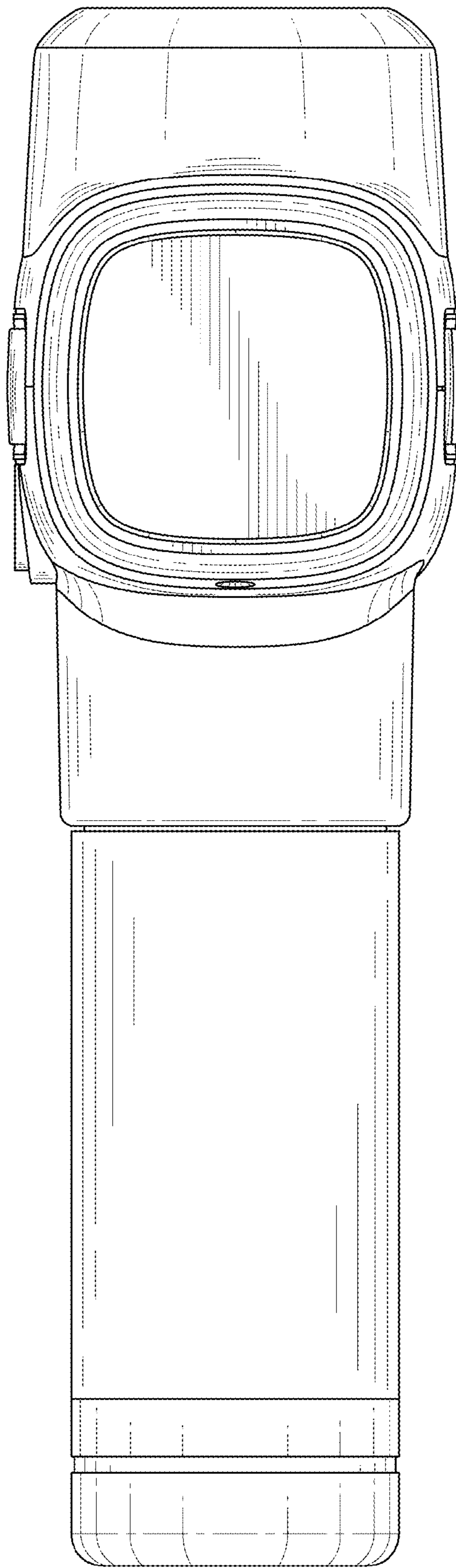


FIG. 3

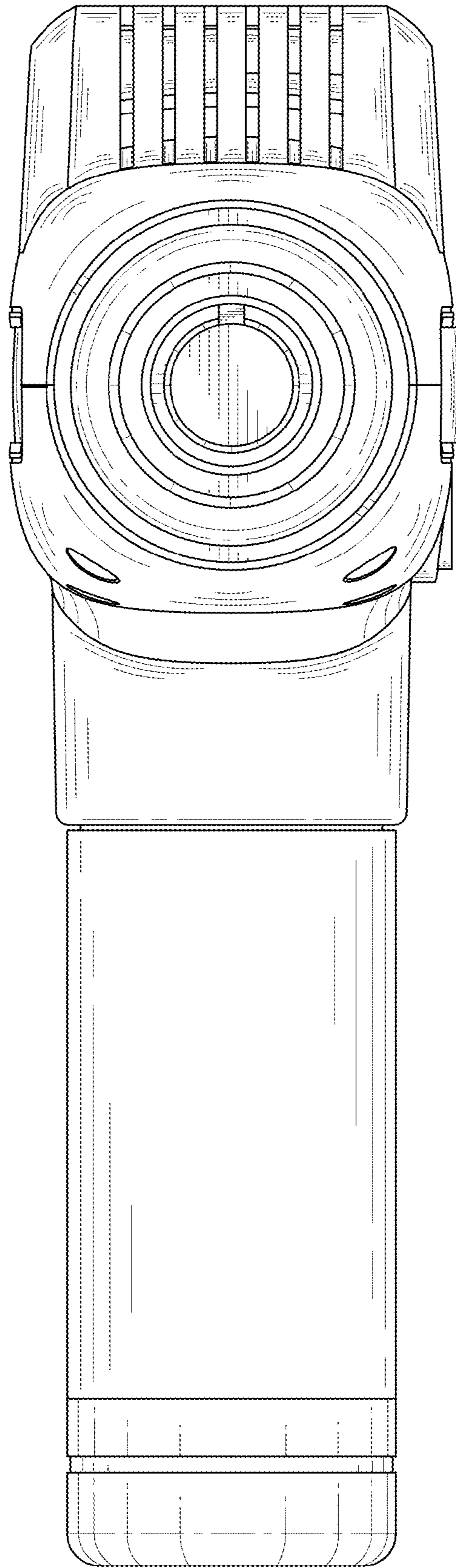


FIG. 4

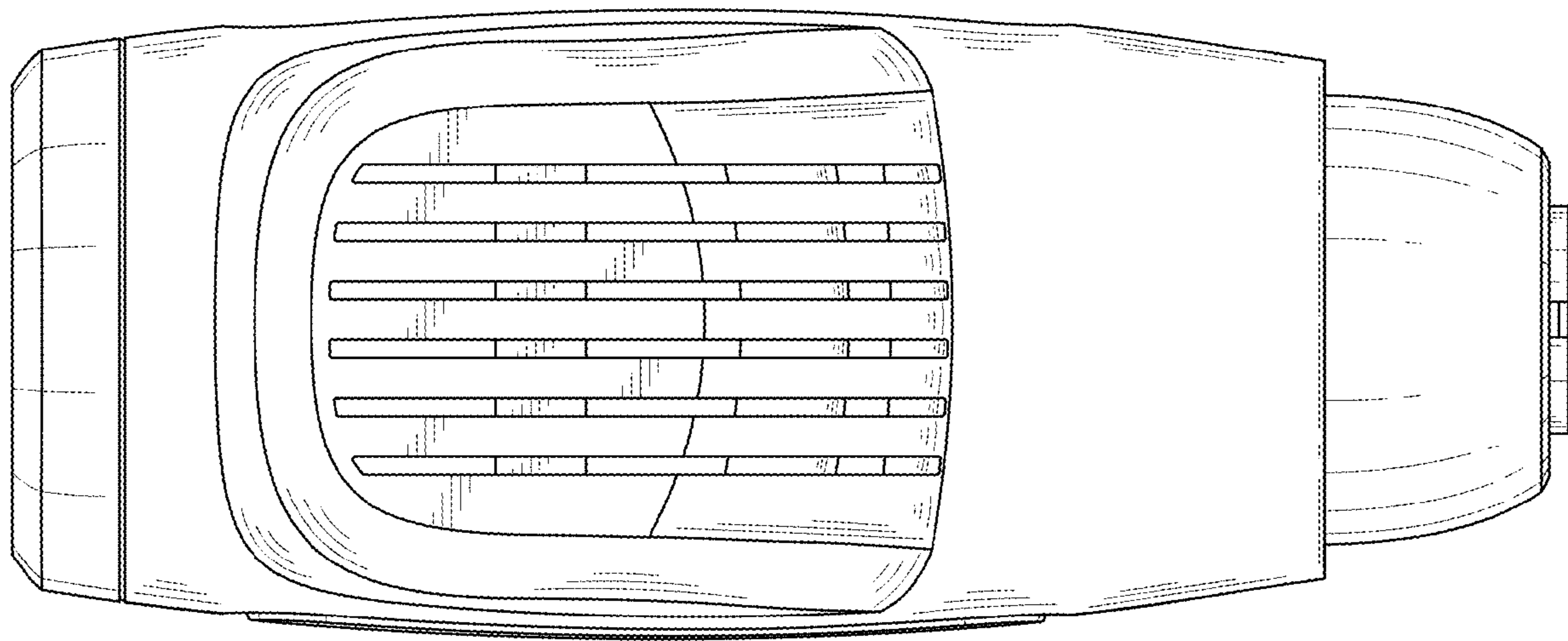


FIG. 5

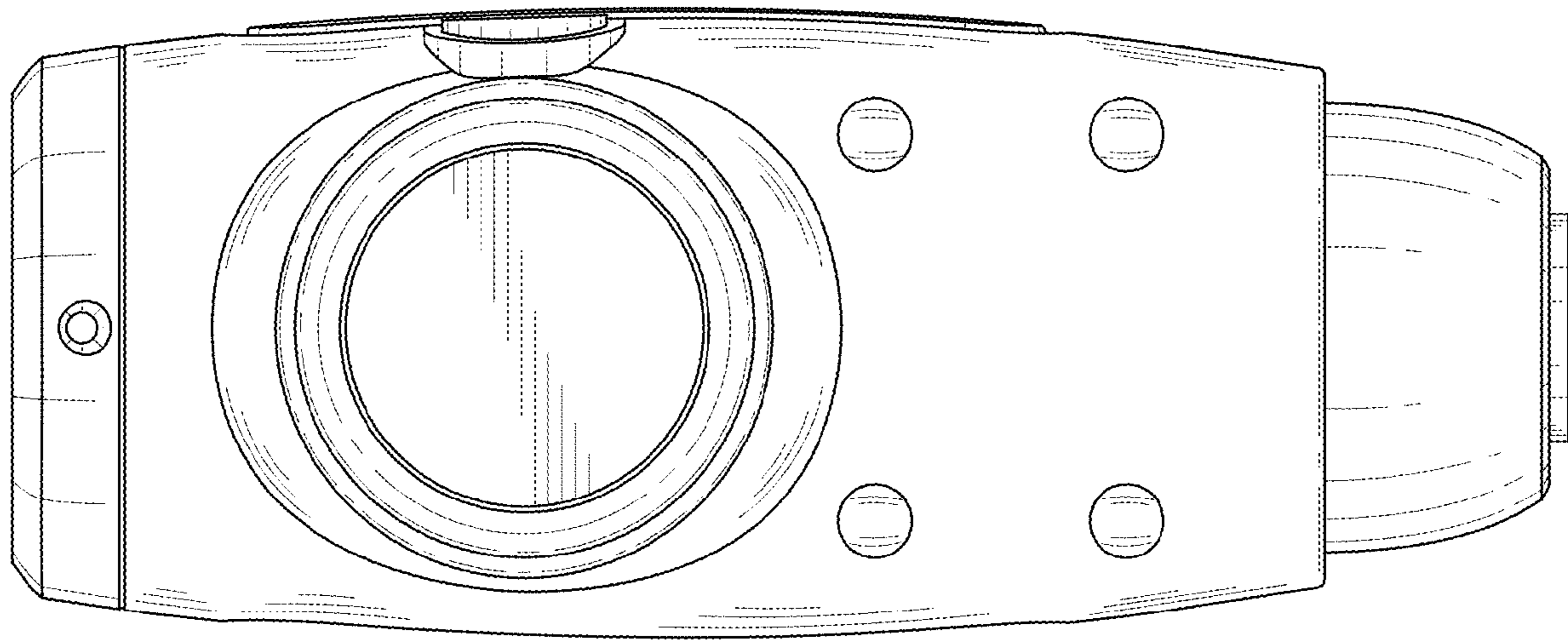


FIG. 6

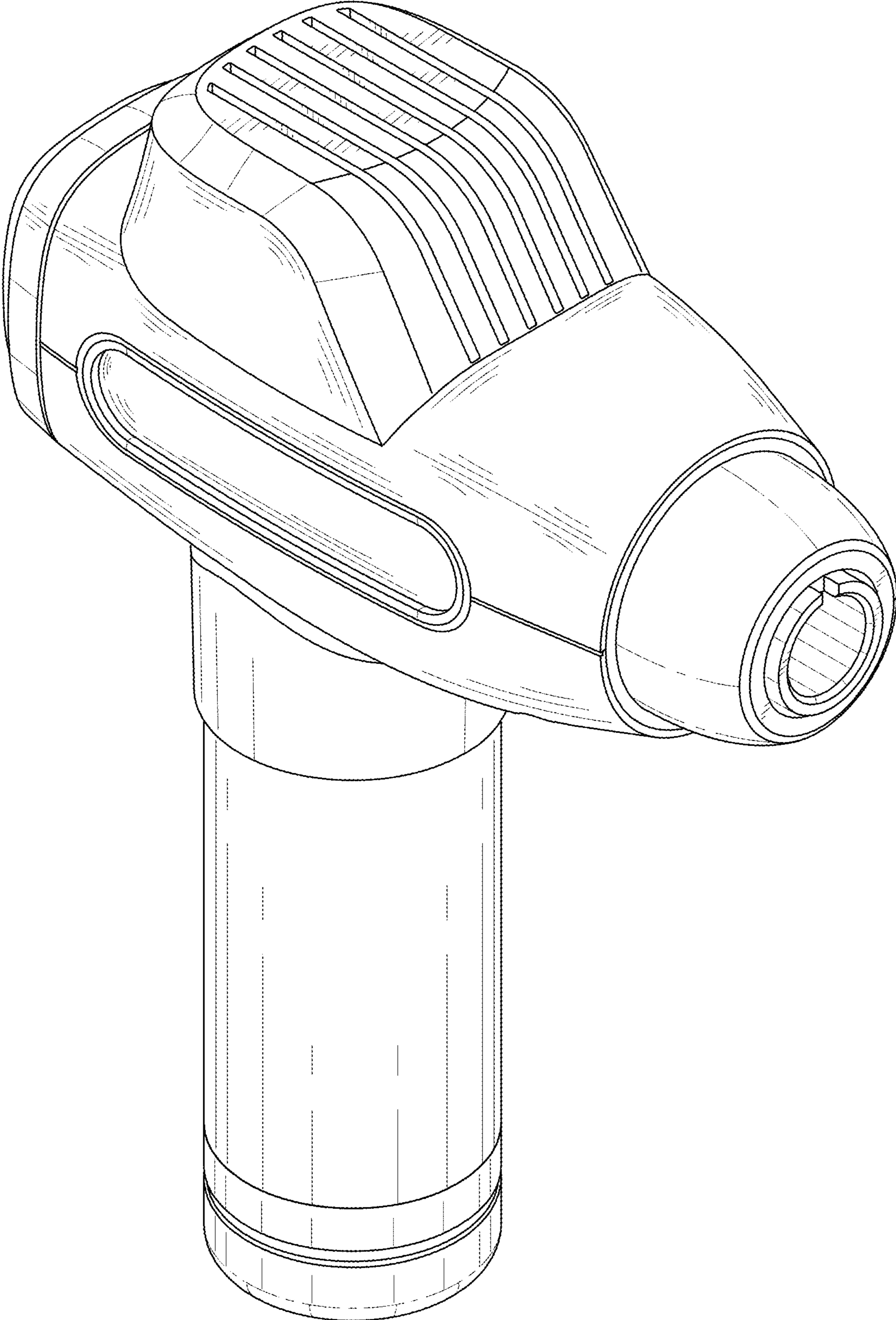


FIG. 7

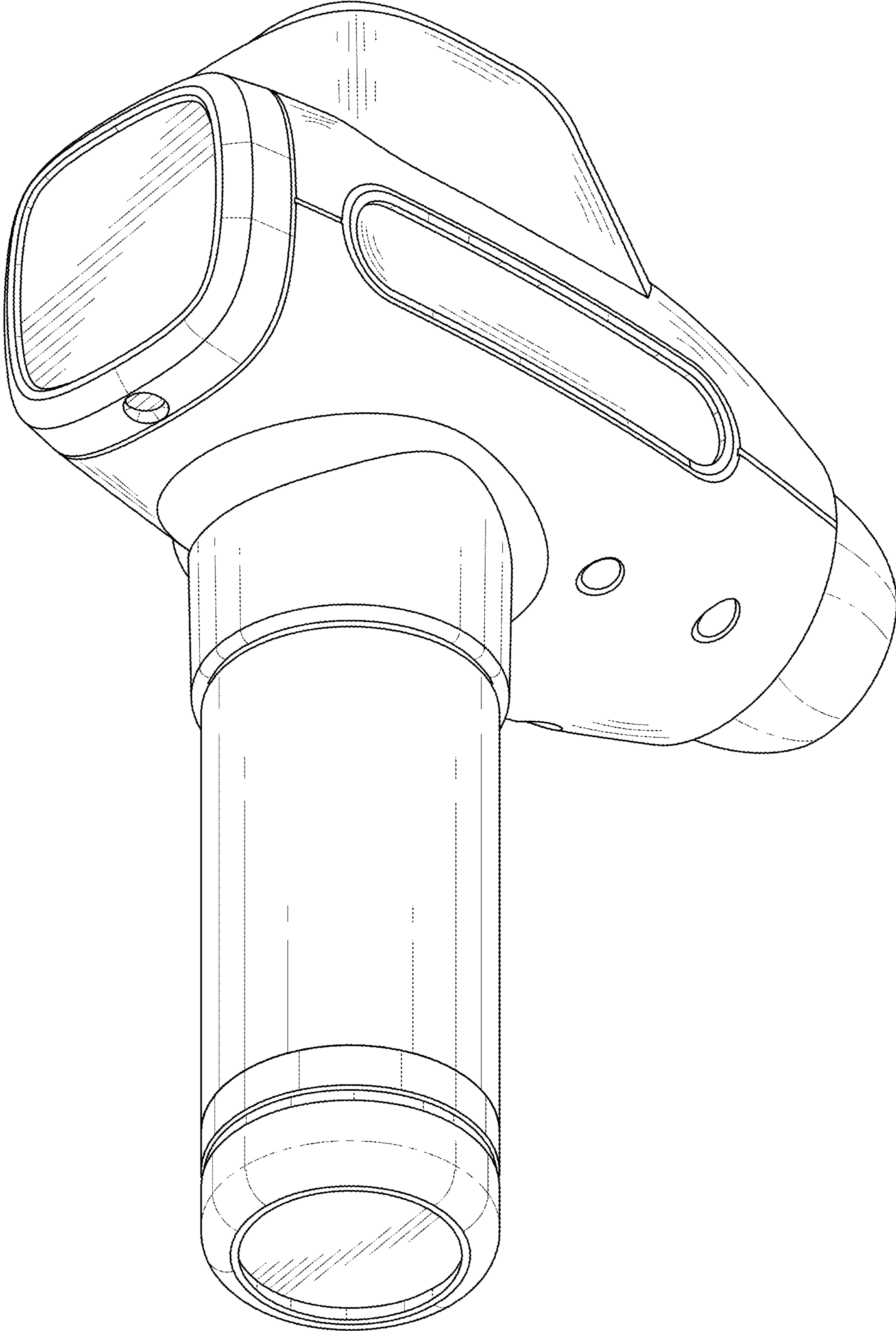


FIG. 8