



US00D932038S

(12) **United States Design Patent** (10) **Patent No.:** **US D932,038 S**  
**Park et al.** (45) **Date of Patent:** **\*\* Sep. 28, 2021**

(54) **SCALP CARE DEVICE** D366,703 S \* 1/1996 Huen ..... D13/108  
D447,811 S \* 9/2001 Yiu ..... D24/214  
(71) Applicant: **LG ELECTRONICS INC.**, Seoul D612,510 S \* 3/2010 Byle ..... D24/210  
(KR)  
(Continued)

(72) Inventors: **Sunjung Park**, Seoul (KR); **Daekee Shin**, Seoul (KR); **Hophil Lee**, Seoul (KR)

FOREIGN PATENT DOCUMENTS

CN 304382105 \* 12/2017  
CN 306095618 \* 10/2020

(73) Assignee: **LG ELECTRONICS INC.**, Seoul (KR)

(Continued)

(\*\*) Term: **15 Years**

OTHER PUBLICATIONS

(21) Appl. No.: **29/713,504**

Ultima 12 LaserComb by Hairmax. hairmax.com. Oldest review date: 2019. Date retrieved: Jan. 14, 2021. Retrieved from internet: <https://hairmax.com/products/ultima-12-lasercomb> (Year: 2019).\*

(22) Filed: **Nov. 15, 2019**

(Continued)

(30) **Foreign Application Priority Data**

May 17, 2019 (WO) ..... 83637

*Primary Examiner* — Lilyana Bekic  
*Assistant Examiner* — Lee D. Starr

(51) **LOC (13) Cl.** ..... **28-03**

(74) *Attorney, Agent, or Firm* — Birch, Stewart, Kolasch & Birch LLP

(52) **U.S. Cl.**  
USPC ..... **D24/211; D24/214; D24/209**

(57) **CLAIM**

(58) **Field of Classification Search**  
USPC ..... D24/211, 200, 206, 209, 210, 214, 215, D24/133; D28/10; D4/100, 102, 127, D4/128, 137  
CPC ..... A46B 2200/10; A46B 2200/102; A61H 15/0078; A61H 15/0085; A61H 2201/0153; A61H 2201/0157; A61H 2201/10; A61H 2201/1253; A61H 2205/00; A61H 2205/022-028; A61H 7/001-005; A61N 5/0616; A61N 5/0625; A61N 2005/0636; A61N 2005/0643; A61N 2005/0644; A61N 2005/067

The ornamental design for a scalp care device, as shown and described.

**DESCRIPTION**

See application file for complete search history.

FIG. 1 is a front perspective view of the scalp care device showing our new design;  
FIG. 2 is a front view thereof;  
FIG. 3 is a back view thereof;  
FIG. 4 is a left view thereof where the right view is a mirror image;  
FIG. 5 is a top view thereof;  
FIG. 6 is a bottom view thereof; and,  
FIG. 7 is an exploded view showing the state that the upper cover has been detached.

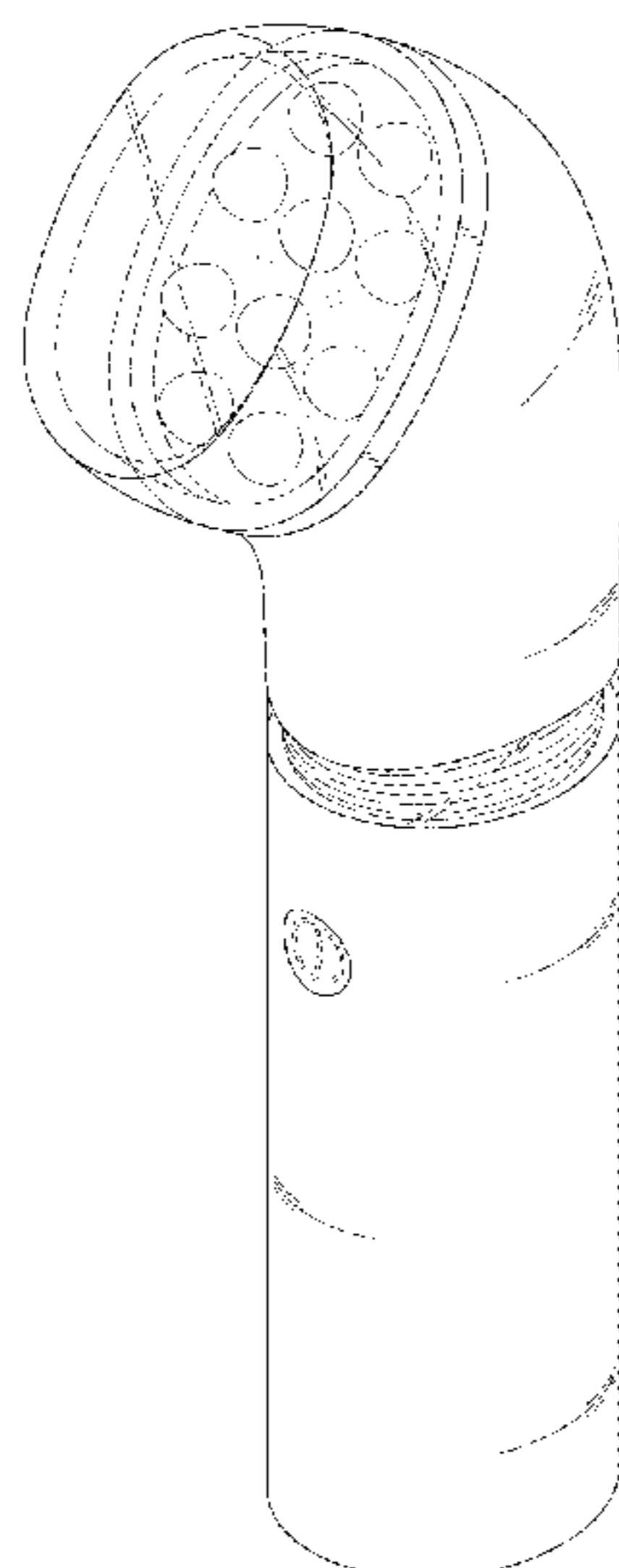
The broken lines depict portions of the scalp care device that form no part of the claimed design.

(56) **References Cited**

U.S. PATENT DOCUMENTS

D249,707 S \* 9/1978 Burke ..... D24/211  
D281,625 S \* 12/1985 Yuen ..... D24/211

**1 Claim, 7 Drawing Sheets**



(56)

**References Cited**

U.S. PATENT DOCUMENTS

D703,825 S \* 4/2014 Barrett ..... D24/200  
 D838,860 S \* 1/2019 Lee ..... D24/214  
 D844,996 S \* 4/2019 Kymm ..... D4/102  
 D847,360 S \* 4/2019 Levi ..... D24/214  
 D855,194 S \* 7/2019 Kymm ..... D24/209  
 D855,818 S \* 8/2019 Kymm ..... D24/209  
 D863,574 S \* 10/2019 Yan ..... D24/200  
 D864,577 S \* 10/2019 Keast ..... D4/102  
 D901,030 S \* 11/2020 Yoon ..... D24/209  
 D901,031 S \* 11/2020 Yoon ..... D24/209  
 D907,789 S \* 1/2021 Shenfarber ..... D24/209  
 D908,232 S \* 1/2021 Shenfarber ..... D24/209  
 2008/0119913 A1 \* 5/2008 Powell ..... A61N 5/0616  
 607/88  
 2008/0167590 A1 \* 7/2008 Jon ..... A61H 7/005  
 601/160  
 2012/0165710 A1 \* 6/2012 Nichols ..... A61H 7/005  
 601/72  
 2014/0336540 A1 \* 11/2014 Chen ..... A61H 23/0263  
 601/2  
 2015/0173842 A1 \* 6/2015 Carlucci ..... A61H 7/005  
 606/131

2015/0189980 A1 \* 7/2015 Hwang ..... A46B 13/008  
 15/28  
 2015/0305486 A1 \* 10/2015 Pardo ..... A46B 7/04  
 15/22.1  
 2017/0150851 A1 \* 6/2017 Sueyoshi ..... A46B 9/02  
 2018/0055719 A1 \* 3/2018 Maichel ..... A61H 7/002  
 2019/0029411 A1 \* 1/2019 Brewer ..... A61H 7/005  
 2019/0262607 A1 \* 8/2019 Nichols ..... A46B 15/0034

FOREIGN PATENT DOCUMENTS

KR 300888304.0000 \* 12/2016  
 KR 300905881.0000 \* 5/2017  
 KR 300992510.0000 \* 1/2019  
 WO WO D057101-001 \* 10/2000

OTHER PUBLICATIONS

Hair Streamer by Q-Redew. qredew.com. Oldest review date: Mar. 6, 2013. Date retrieved: Jan. 14, 2021. Retrieved from internet: <https://qredew.com/products/q-redew> (Year: 2013).\*

\* cited by examiner

FIG. 1

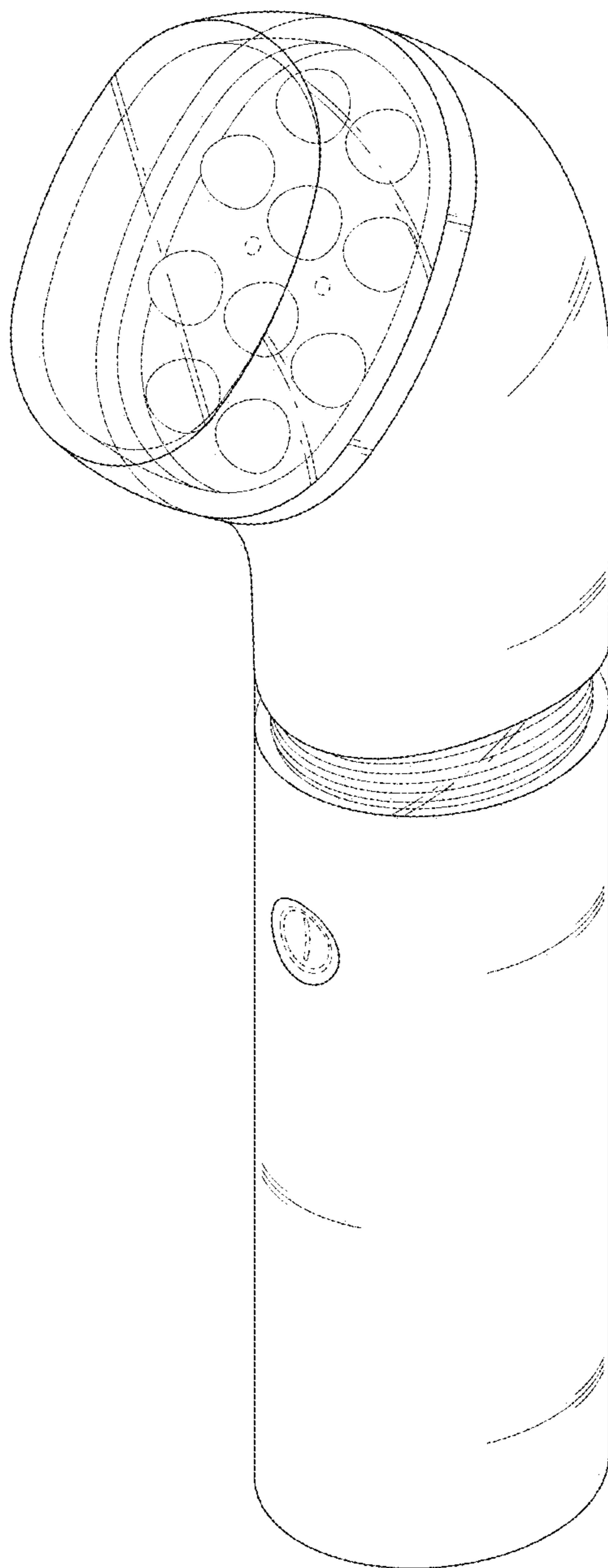


FIG. 2

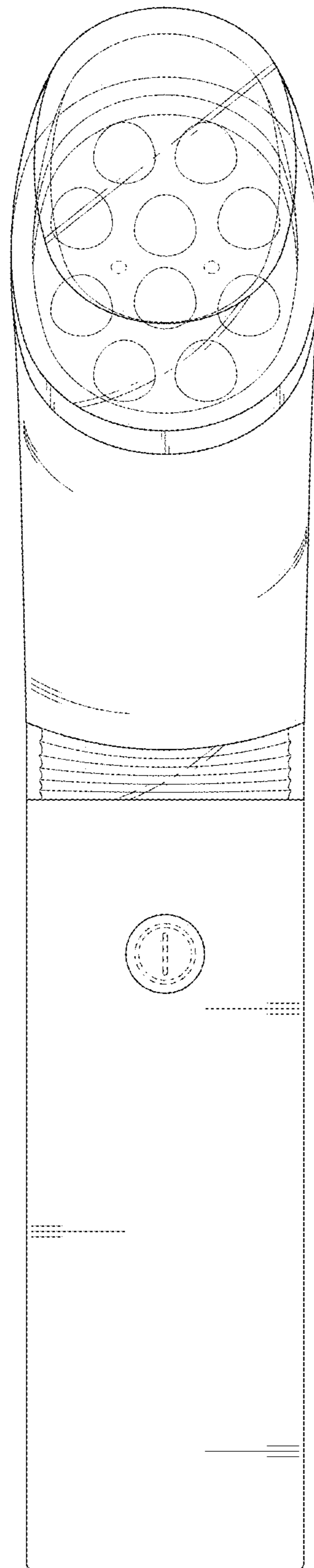


FIG. 3

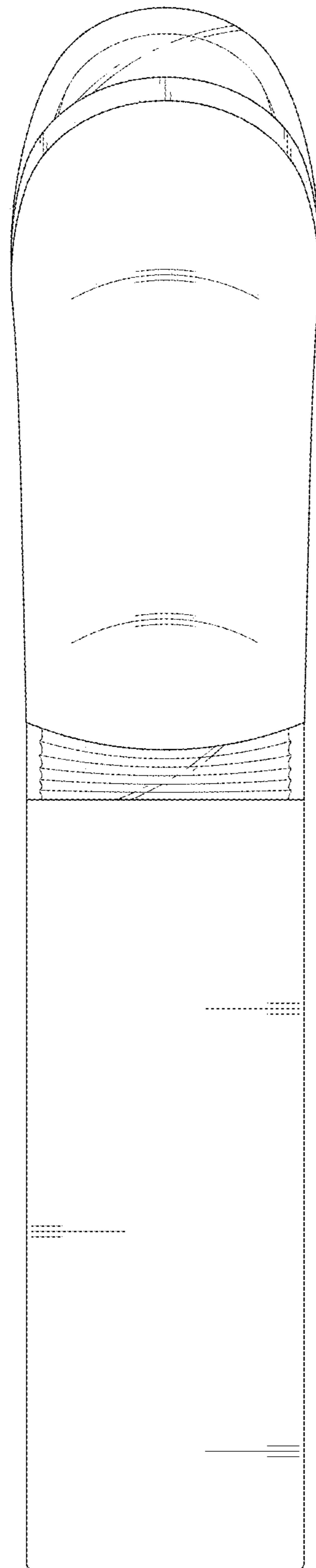


FIG. 4

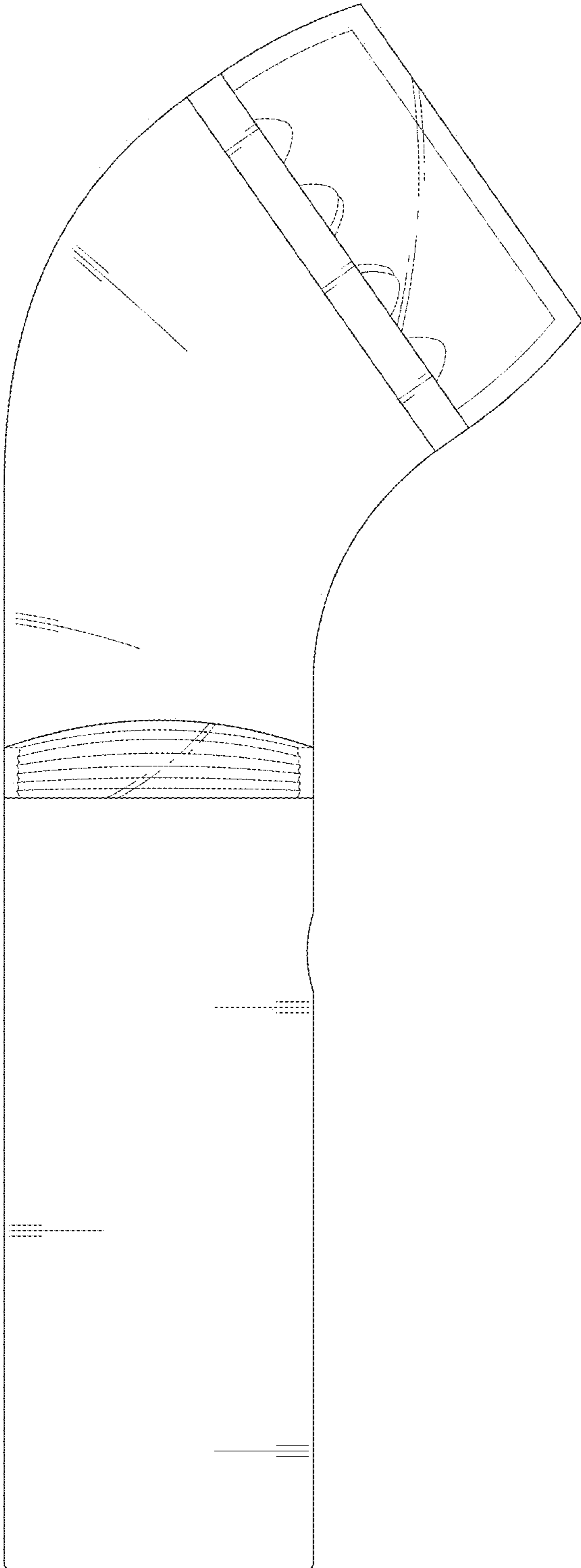


FIG. 5

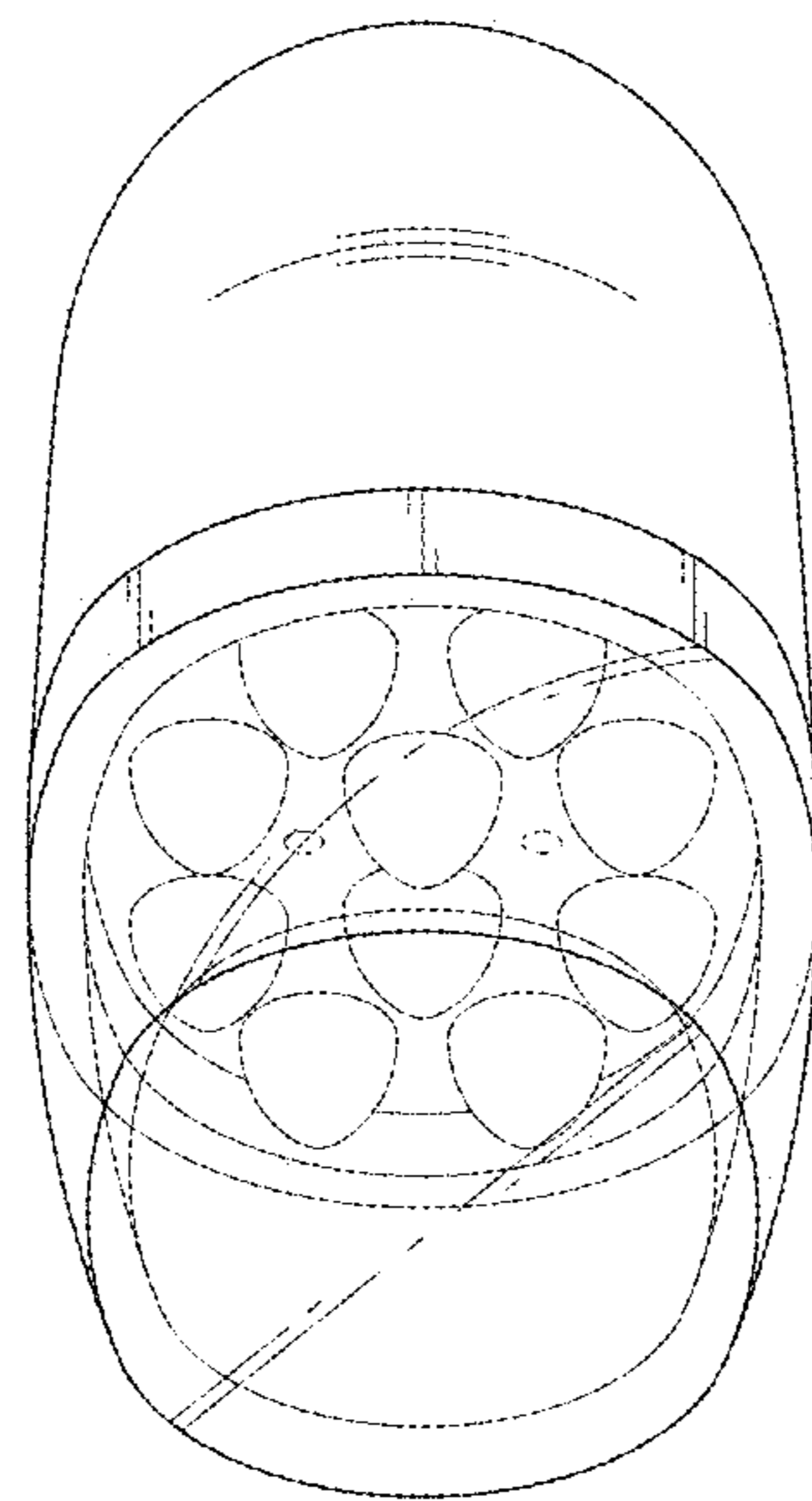


FIG. 6

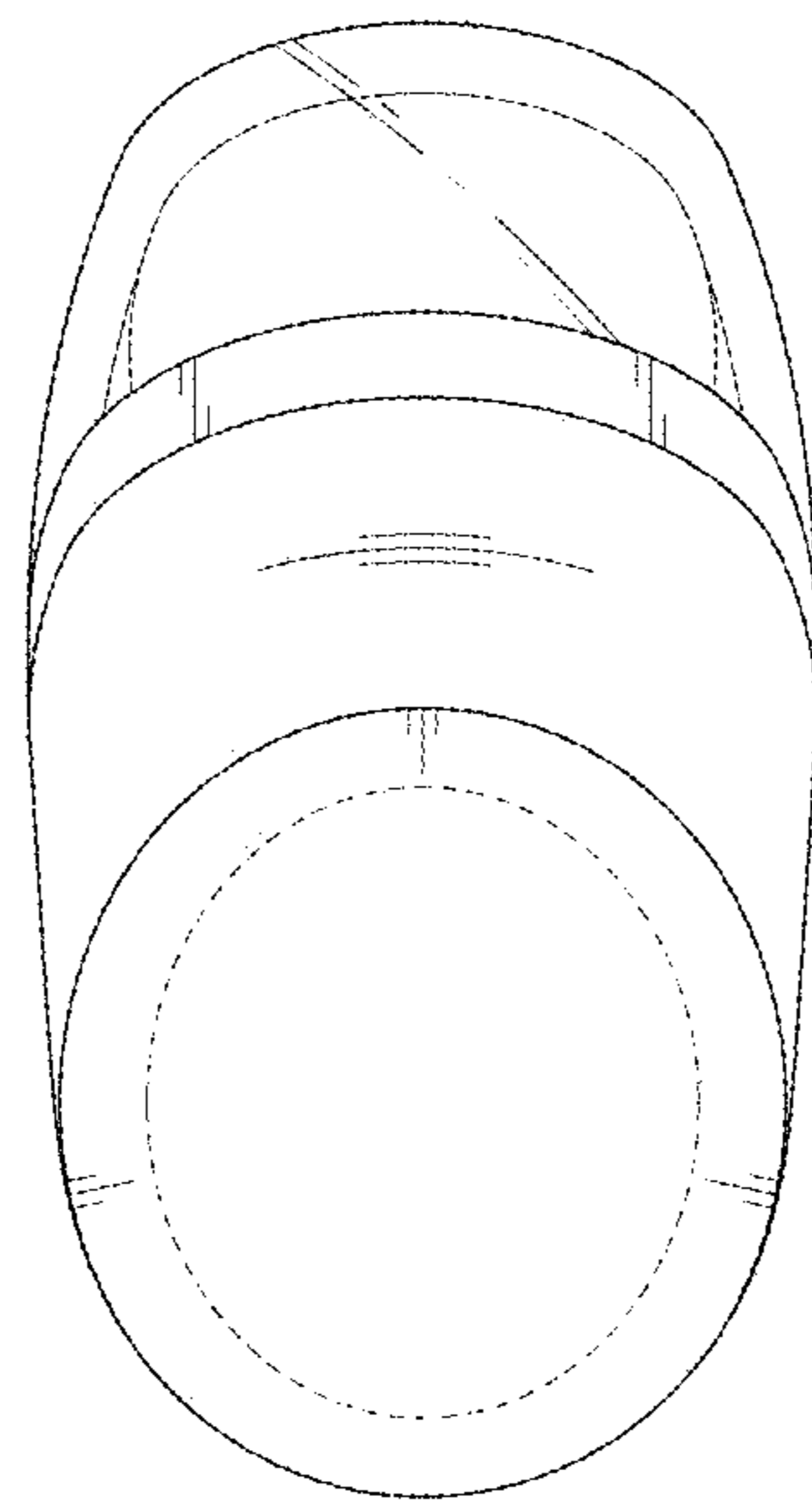




FIG. 7

