



US00D932037S

(12) **United States Design Patent** (10) **Patent No.:** **US D932,037 S**
Chen (45) **Date of Patent:** **** Sep. 28, 2021**

(54) **COVER ADAPTED FOR WAX WARMER**

(56) **References Cited**

(71) Applicant: **Li Huang Chen**, Tainan (TW)

U.S. PATENT DOCUMENTS

(72) Inventor: **Li Huang Chen**, Tainan (TW)

D441,455 S *	5/2001	Feer	D24/200
D479,951 S *	9/2003	Segura	D7/629
D630,475 S *	1/2011	Lu	D7/629
D661,160 S *	6/2012	Shah	D7/538
D838,859 S *	1/2019	Yu	D24/200
D857,215 S *	8/2019	Lin	D24/200
D895,821 S *	9/2020	Lin	D24/200
D925,745 S *	7/2021	Chen	D24/200

(**) Term: **15 Years**

(21) Appl. No.: **29/746,161**

(22) Filed: **Aug. 12, 2020**

* cited by examiner

(51) **LOC (13) Cl.** **28-03**

Primary Examiner — Wan Laymon

(52) **U.S. Cl.**

(74) *Attorney, Agent, or Firm* — Rumit Ranjit Kanakia

USPC **D24/200**

(58) **Field of Classification Search**

(57) **CLAIM**

USPC D24/200, 121, 204; D7/323, 354, 391,
D7/538, 629; D9/435, 503, 424, 428,
D9/780

I claim the ornamental design for a cover adapted for wax warmer, as shown and described.

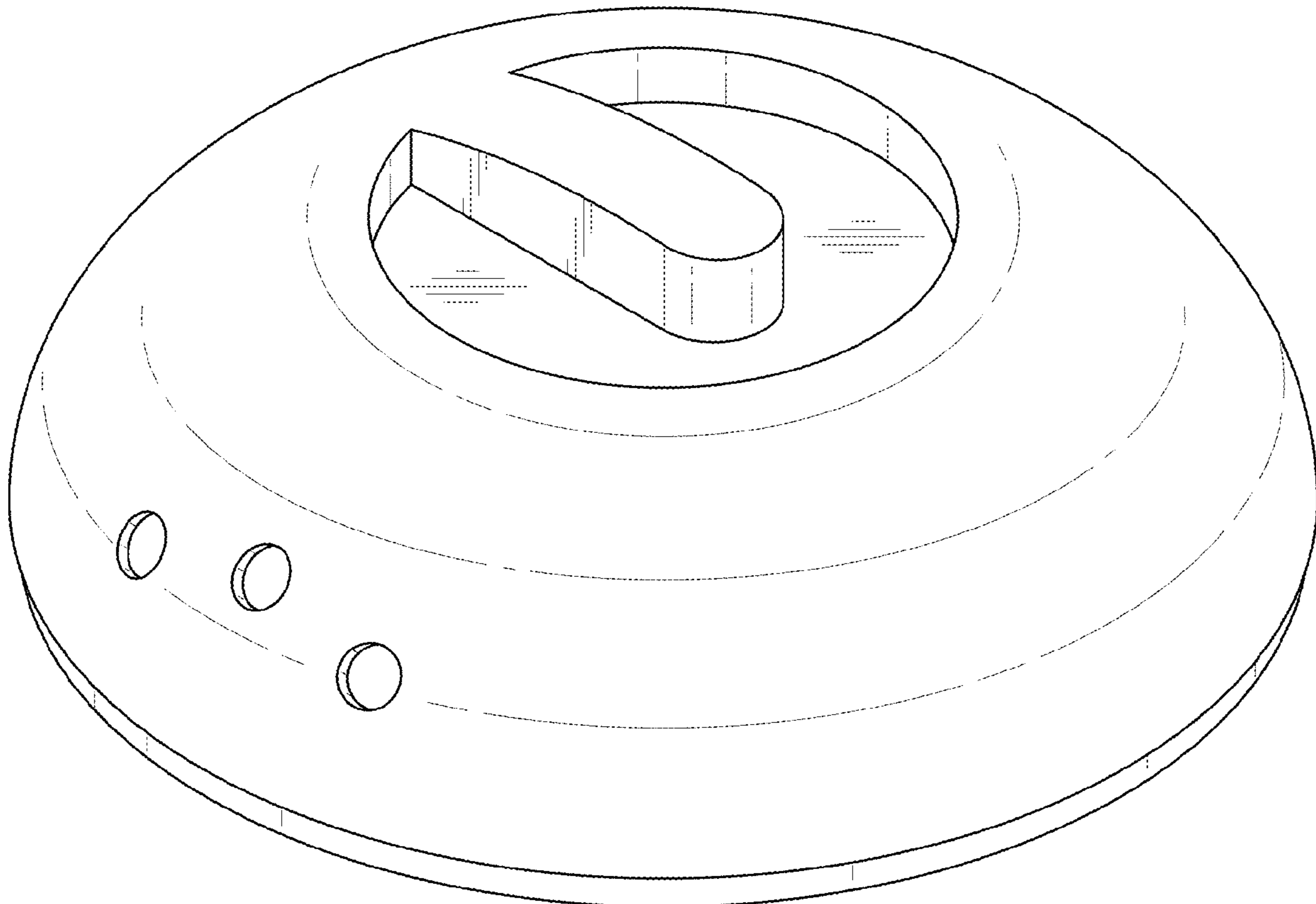
CPC A61F 7/00; A61F 7/007; A61F 7/0085;
A61F 2007/0001; A61F 2007/0003; A61F
2007/0004; A61F 2007/0024; A61F
2007/0029; A61F 2007/0031; A61F
2007/0034; A61F 2007/0039; A61F
2007/0041; A61F 2007/0043; A61F
2007/0219; A47J 36/06; A61L 9/03;
A61L 9/12; F27B 14/12; H05B 3/00;
H05B 3/0052; H05B 3/26; A61H 33/04;
A61H 2033/047

DESCRIPTION

FIG. 1 is a perspective view of a cover adapted for wax warmer showing my new design;
FIG. 2 is a bottom perspective view thereof;
FIG. 3 is a front view thereof;
FIG. 4 is a back view thereof;
FIG. 5 is a right-side view thereof;
FIG. 6 is a left-side view thereof;
FIG. 7 is a top view thereof; and,
FIG. 8 is a bottom view thereof.

See application file for complete search history.

1 Claim, 8 Drawing Sheets



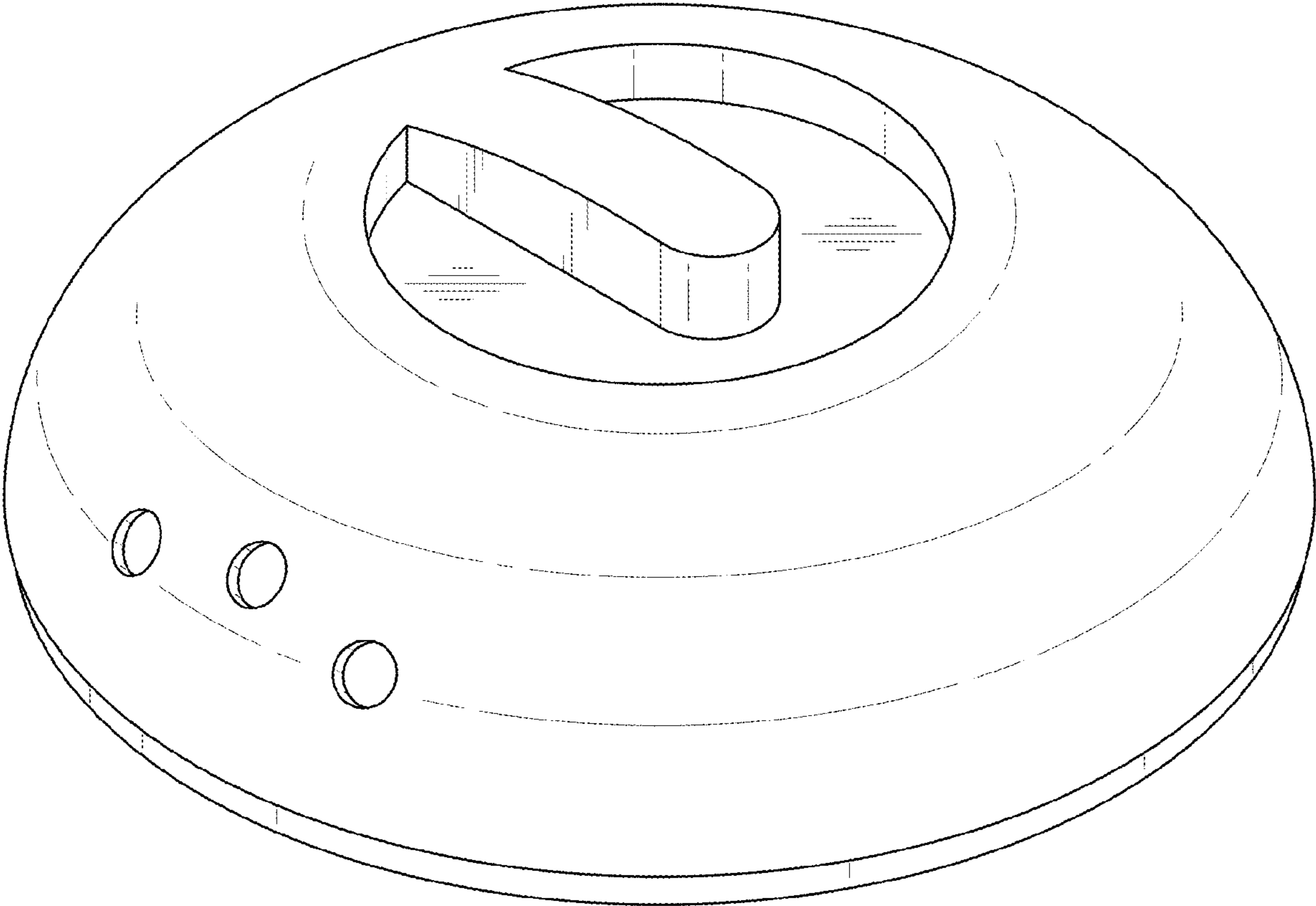


FIG. 1

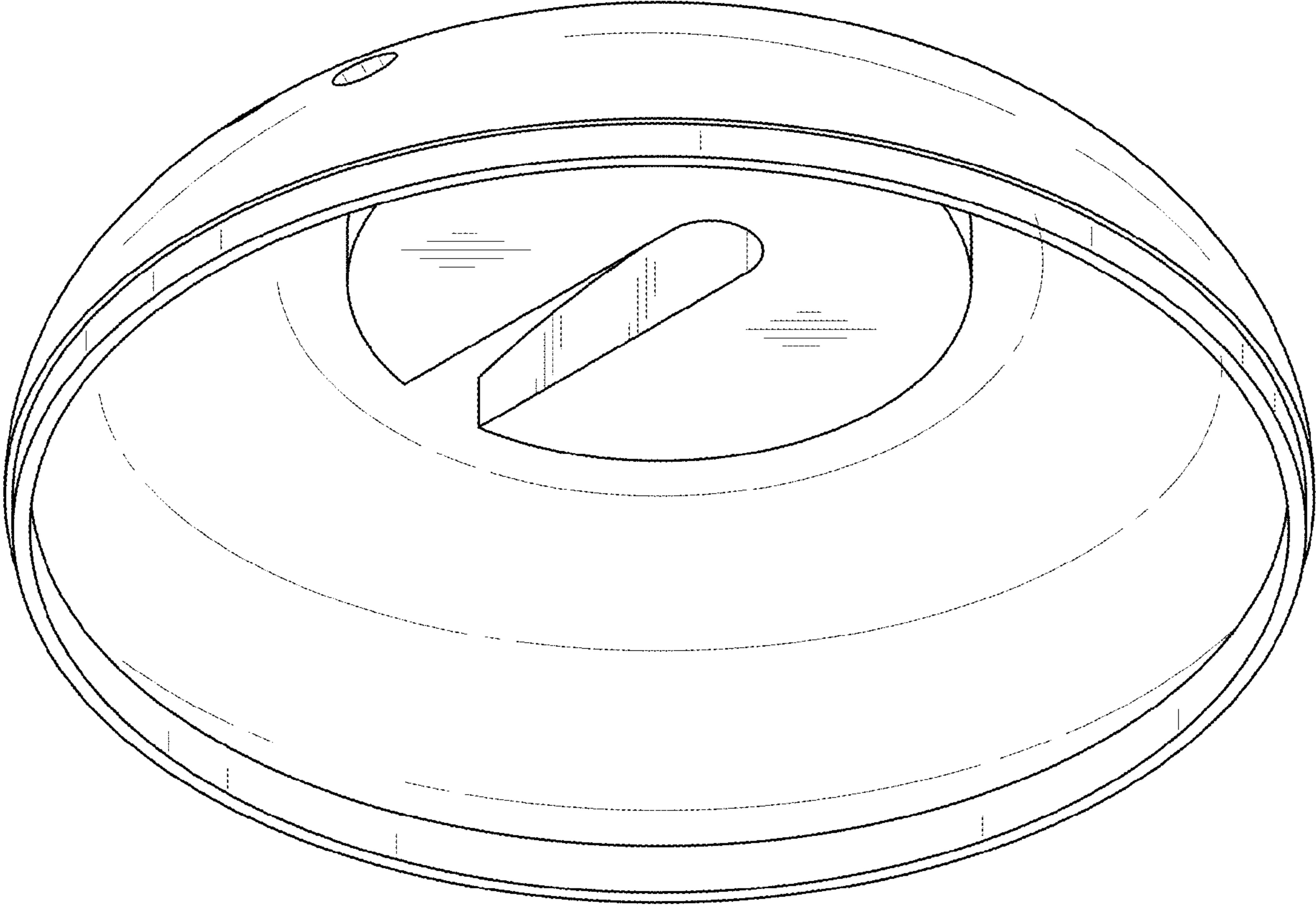


FIG. 2

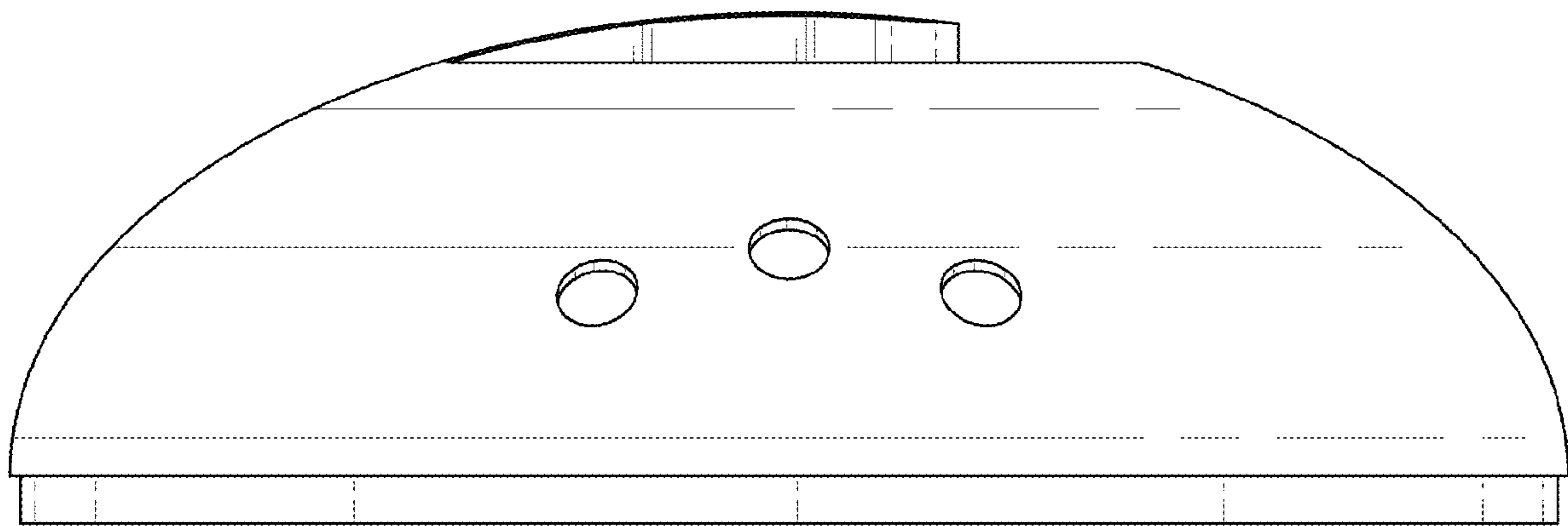


FIG. 3

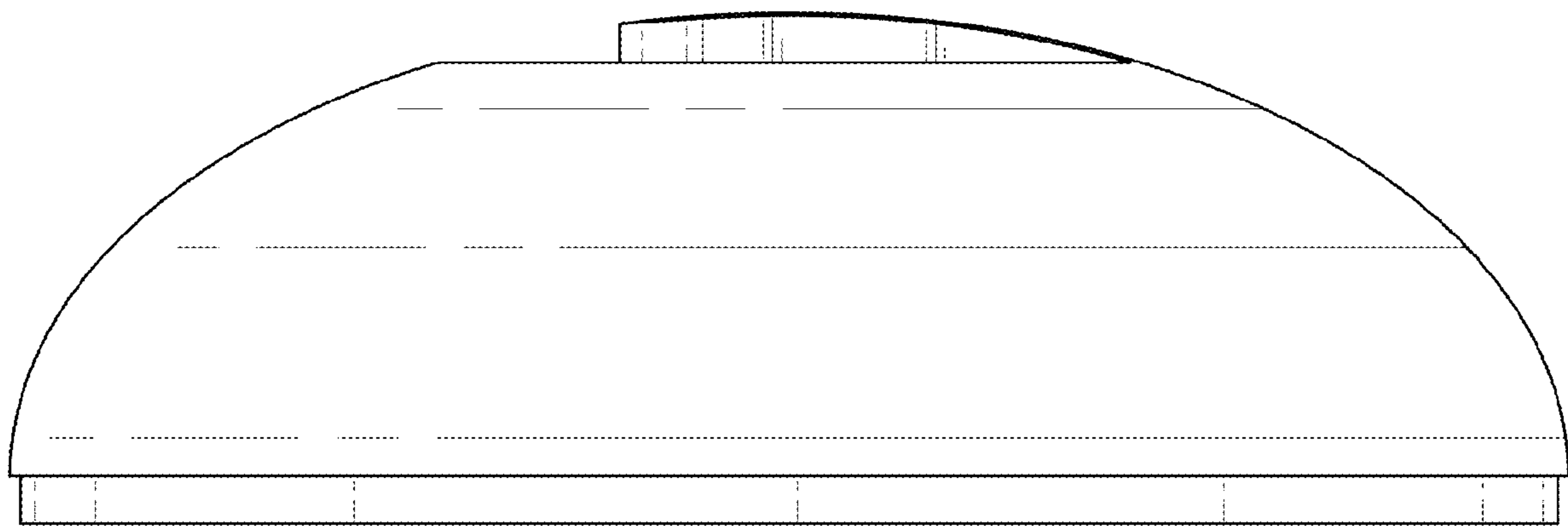


FIG. 4

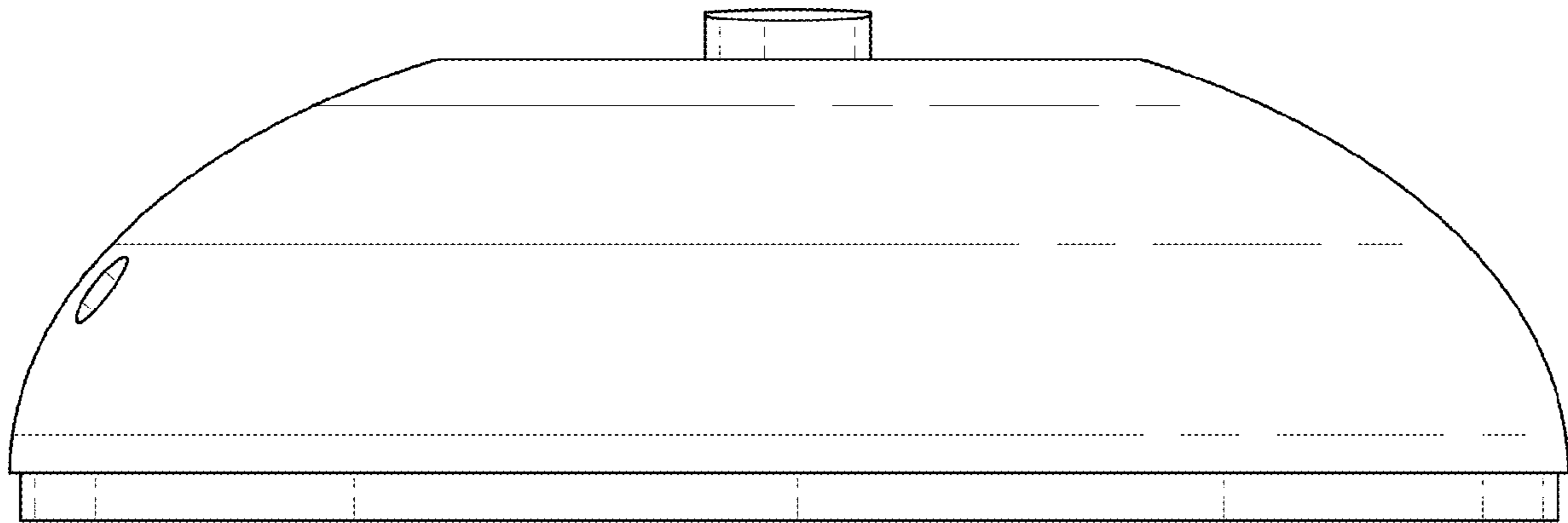


FIG. 5

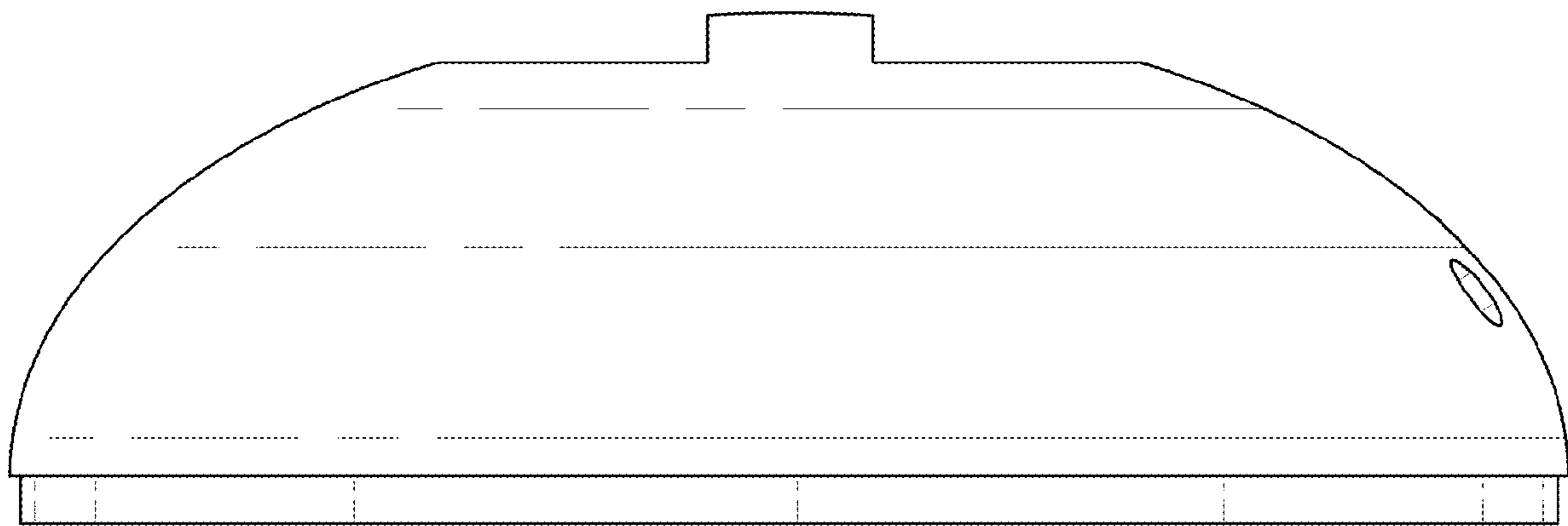


FIG. 6

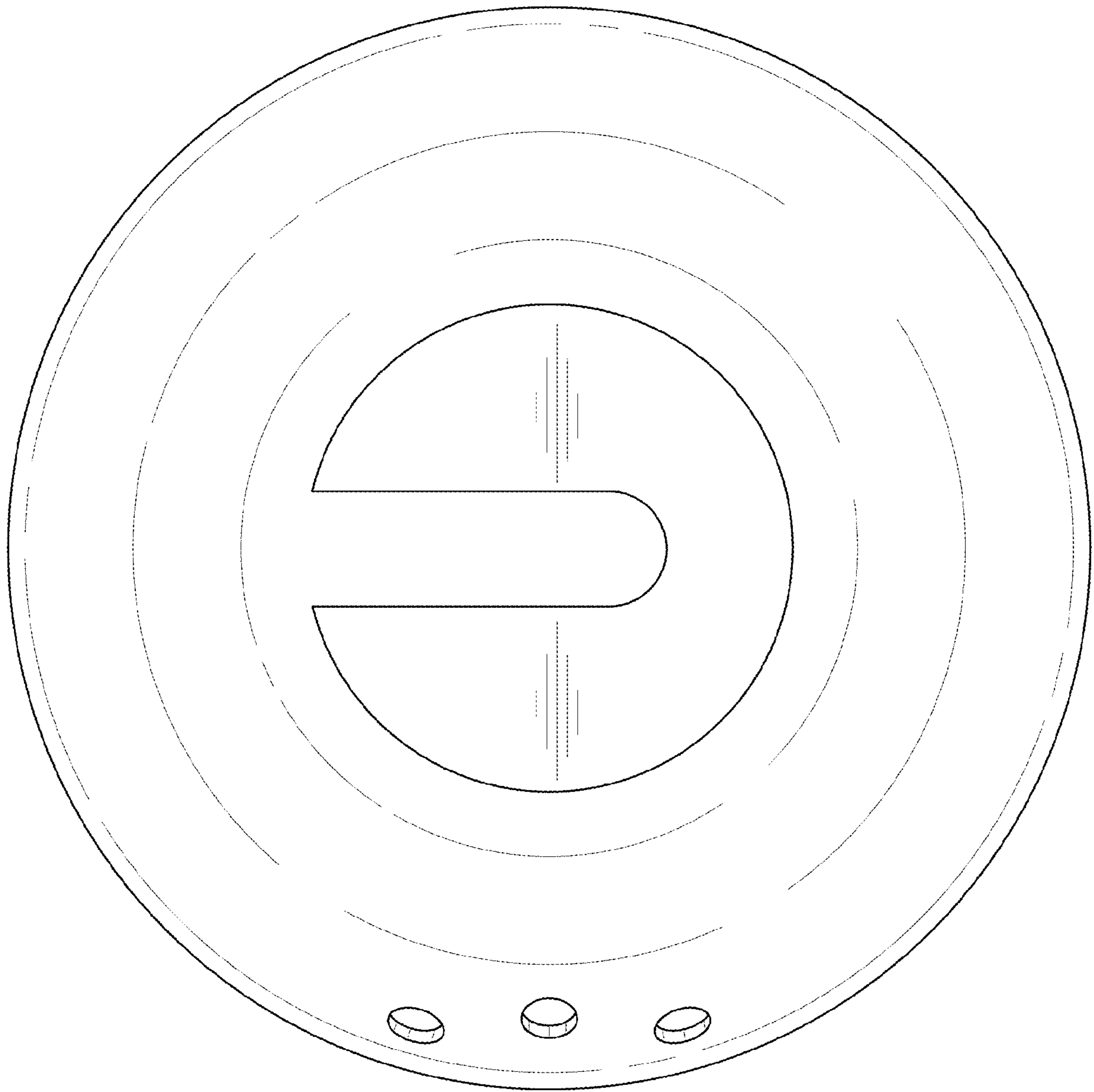


FIG. 7

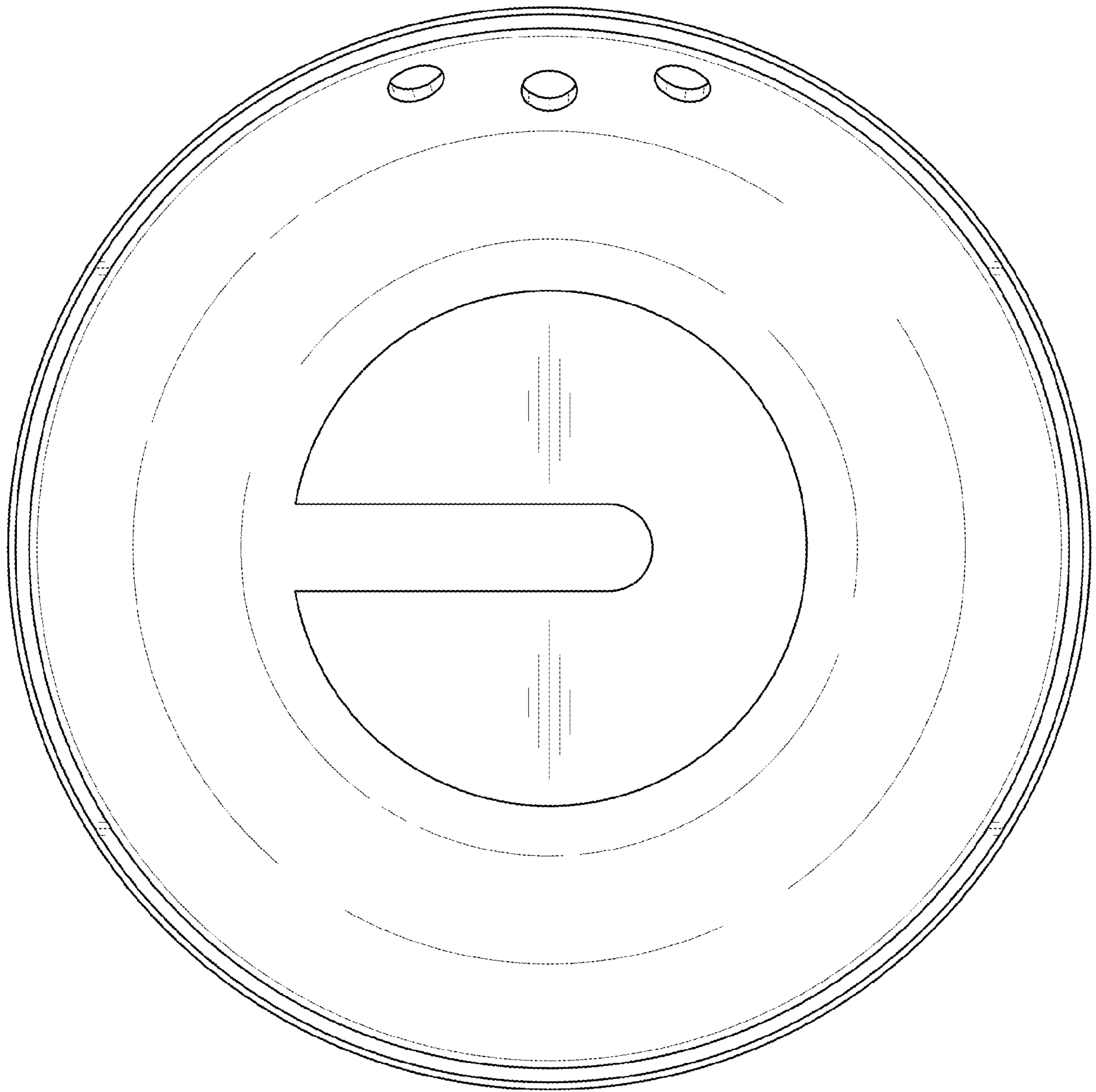


FIG. 8