



US00D932036S

(12) **United States Design Patent**
Nazarian

(10) **Patent No.:** **US D932,036 S**
(45) **Date of Patent:** **** Sep. 28, 2021**

- (54) **ADAPTER**
- (71) Applicant: **TheraGun, Inc.**, Beverly Hills, CA (US)
- (72) Inventor: **Benjamin Nazarian**, Santa Monica, CA (US)
- (73) Assignee: **THERAGUN, INC.**, Beverly Hills, CA (US)
- (**) Term: **15 Years**
- (21) Appl. No.: **29/739,906**
- (22) Filed: **Sep. 25, 2020**

6,602,211 B2	8/2003	Tucek	
6,805,700 B2 *	10/2004	Miller	A61H 1/008 601/108
7,144,417 B2	12/2006	Colloca	
7,169,169 B2	1/2007	Tucek	
7,503,923 B2	3/2009	Miller	
D613,416 S	4/2010	Schupman	
D627,898 S	11/2010	Aulwes	
8,083,699 B2 *	12/2011	Colloca	A61H 1/008 601/101
10,470,970 B2	11/2019	Nazarian	
10,617,588 B2 *	4/2020	Wersland	A61H 1/008
D907,792 S *	1/2021	Marion	D24/215
D908,235 S *	1/2021	Marion	D24/215
2019/0015294 A1	1/2019	Nazarian	
2019/0350793 A1	11/2019	Wersland	

* cited by examiner

Related U.S. Application Data

- (60) Division of application No. 29/699,997, filed on Jul. 30, 2019, now Pat. No. Des. 890,353, which is a continuation-in-part of application No. 29/655,472, filed on Jul. 3, 2018, now Pat. No. Des. 865,192.
- (51) **LOC (13) Cl.** **28-03**
- (52) **U.S. Cl.**
USPC **D24/200; D24/215**
- (58) **Field of Classification Search**
USPC D24/200, 211-215
CPC A61H 1/008; A61H 15/0085; A61H 15/00;
A61H 99/00; A61H 2201/1685; F16D
1/087
See application file for complete search history.

References Cited

U.S. PATENT DOCUMENTS

D162,337 S	3/1951	O’Gatty
6,537,236 B2	3/2003	Tucek

Primary Examiner — Wan Laymon

(74) *Attorney, Agent, or Firm* — Jeffer Mangels Butler & Mitchell LLP; Brennan C. Swain, Esq.

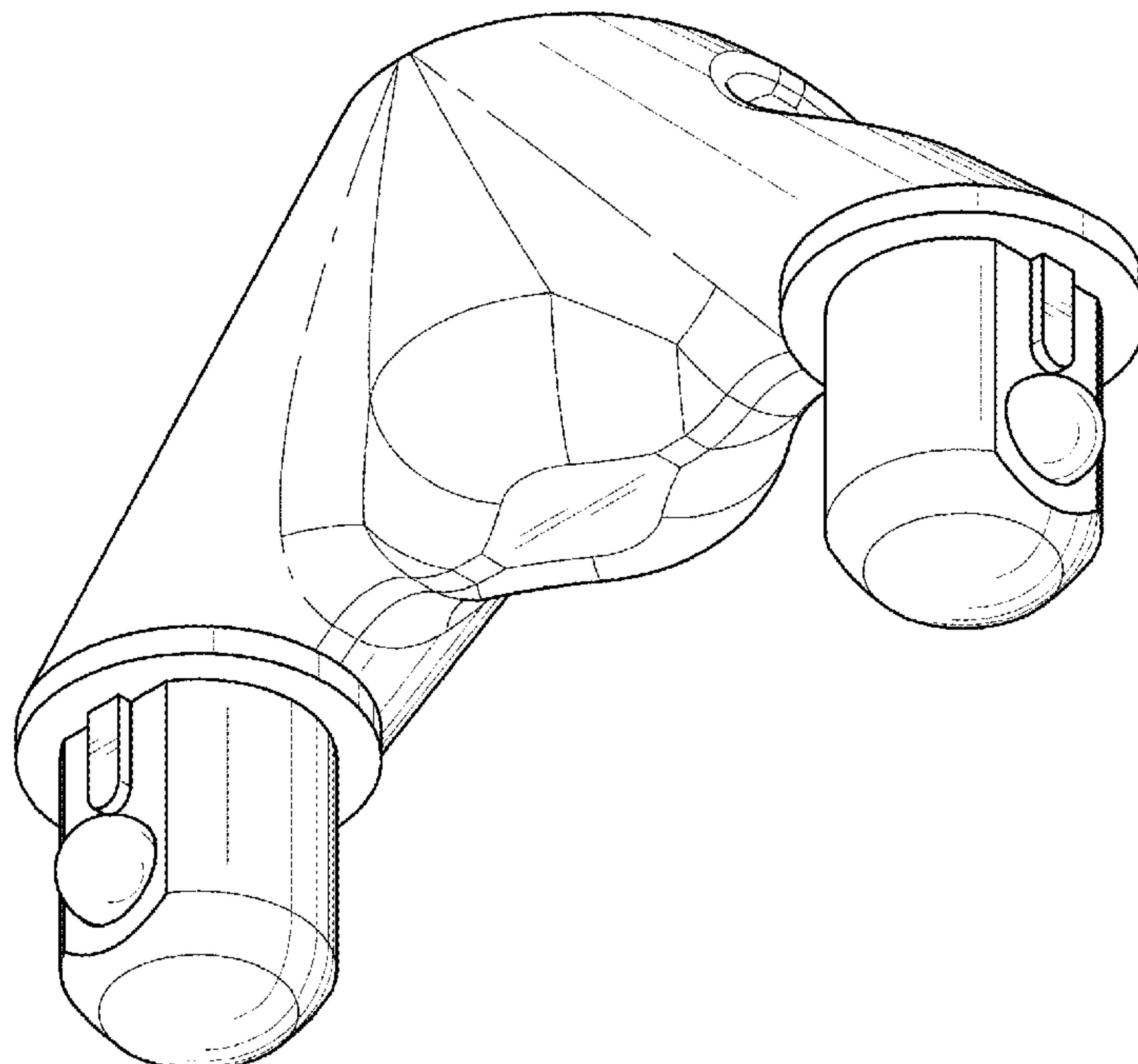
(57) **CLAIM**

The ornamental design for an adapter, as shown and described.

DESCRIPTION

FIG. 1 is a bottom perspective view of the present invention; FIG. 2 is a top perspective view of the present invention; FIG. 3 is a front elevational view of the present invention; FIG. 4 is a reduced right side elevational view of the present invention; FIG. 5 is a rear elevational view of the present invention; FIG. 6 is a reduced left side elevational view of the present invention; FIG. 7 is a top plan view of the present invention; and, FIG. 8 is a bottom plan view of the present invention.

1 Claim, 5 Drawing Sheets



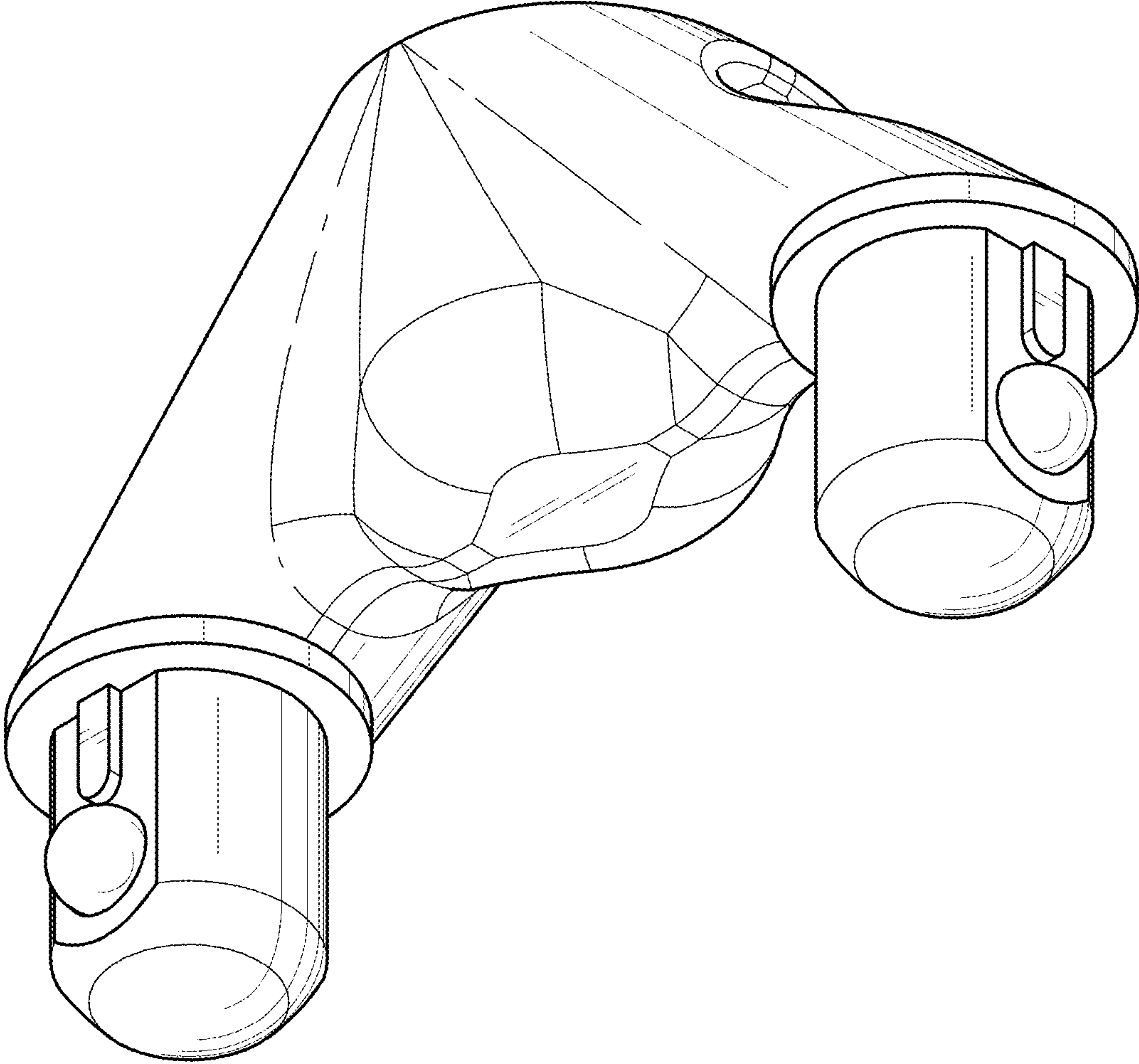


FIG. 1

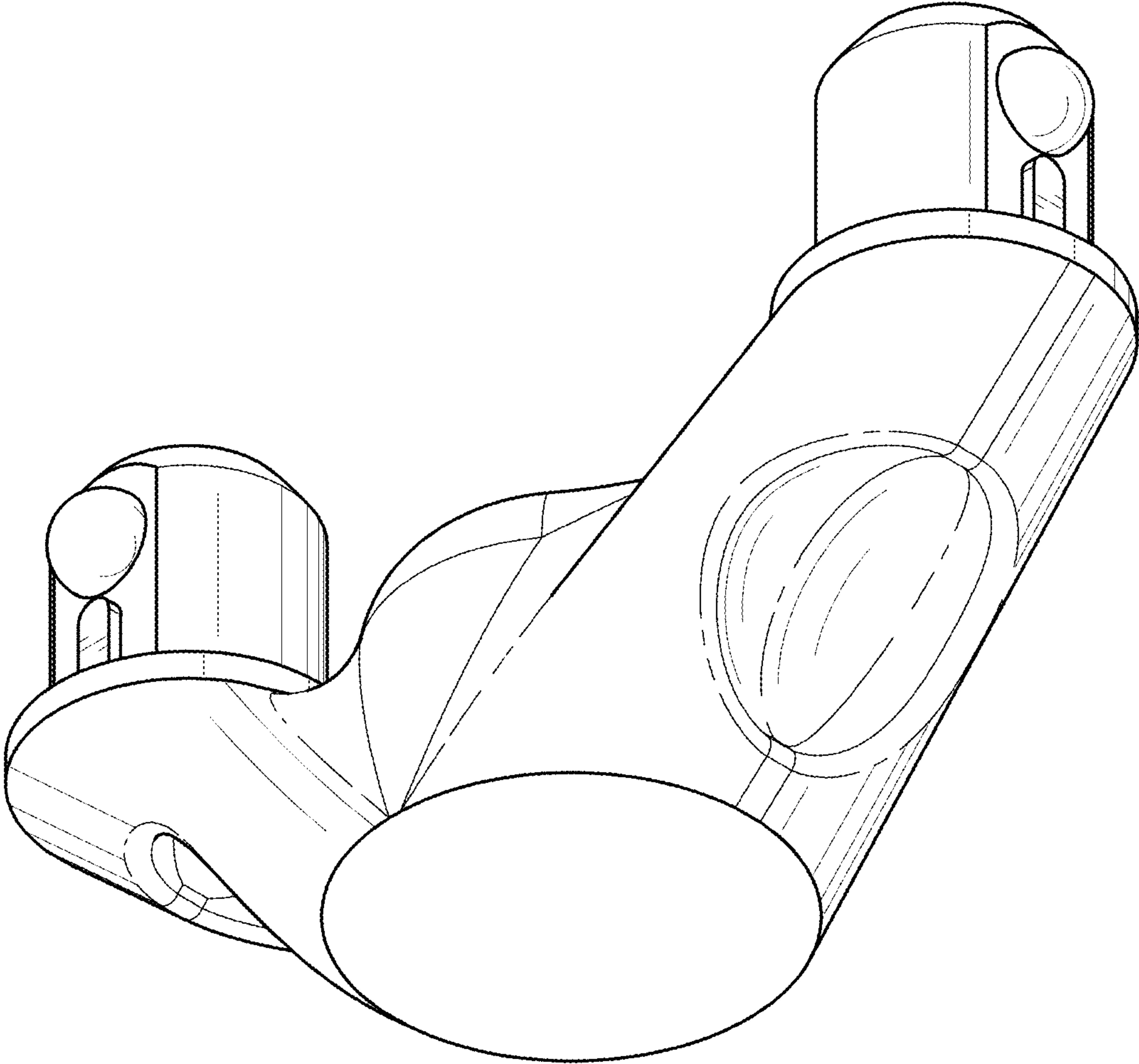


FIG. 2

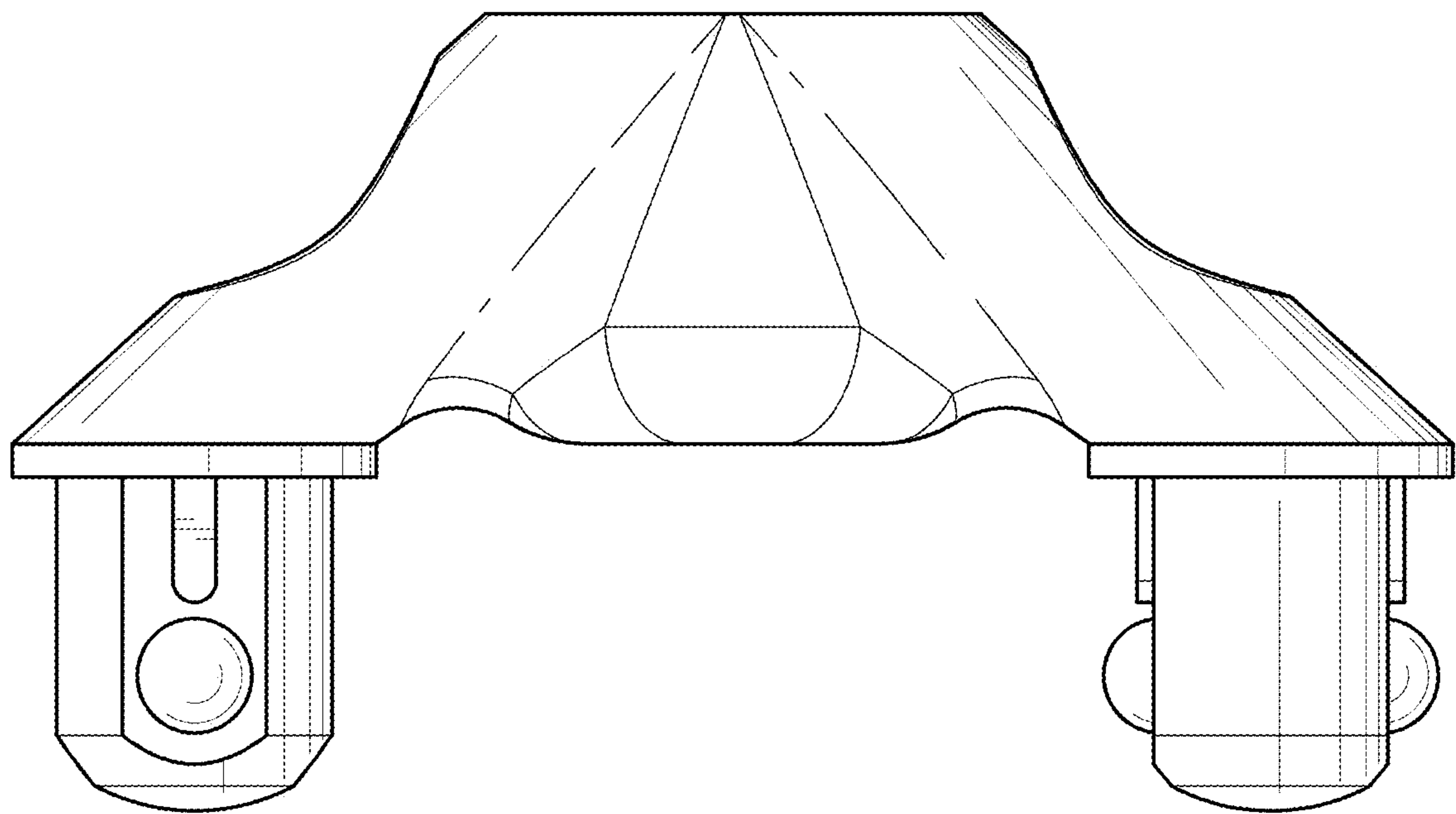


FIG. 3

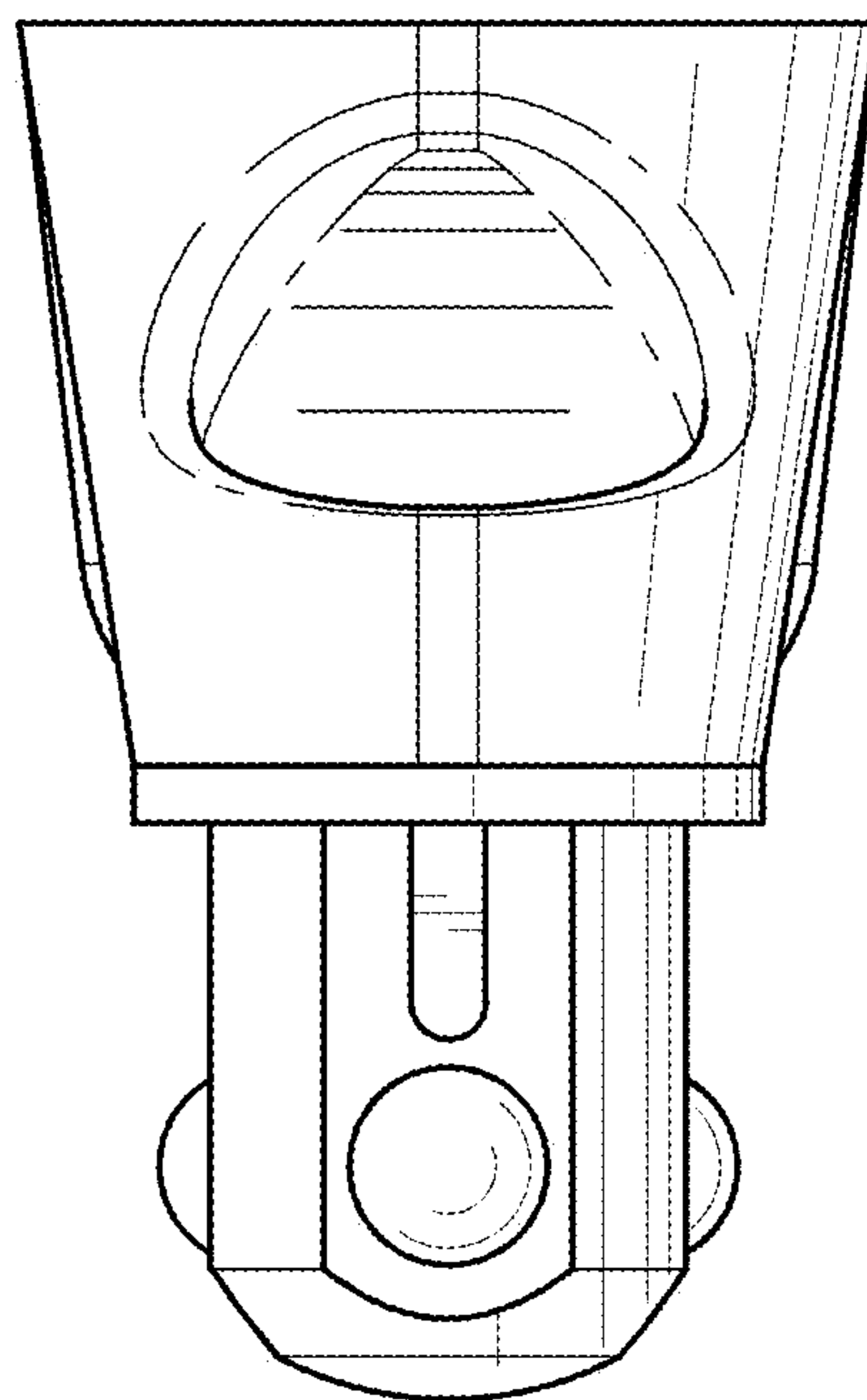


FIG. 4

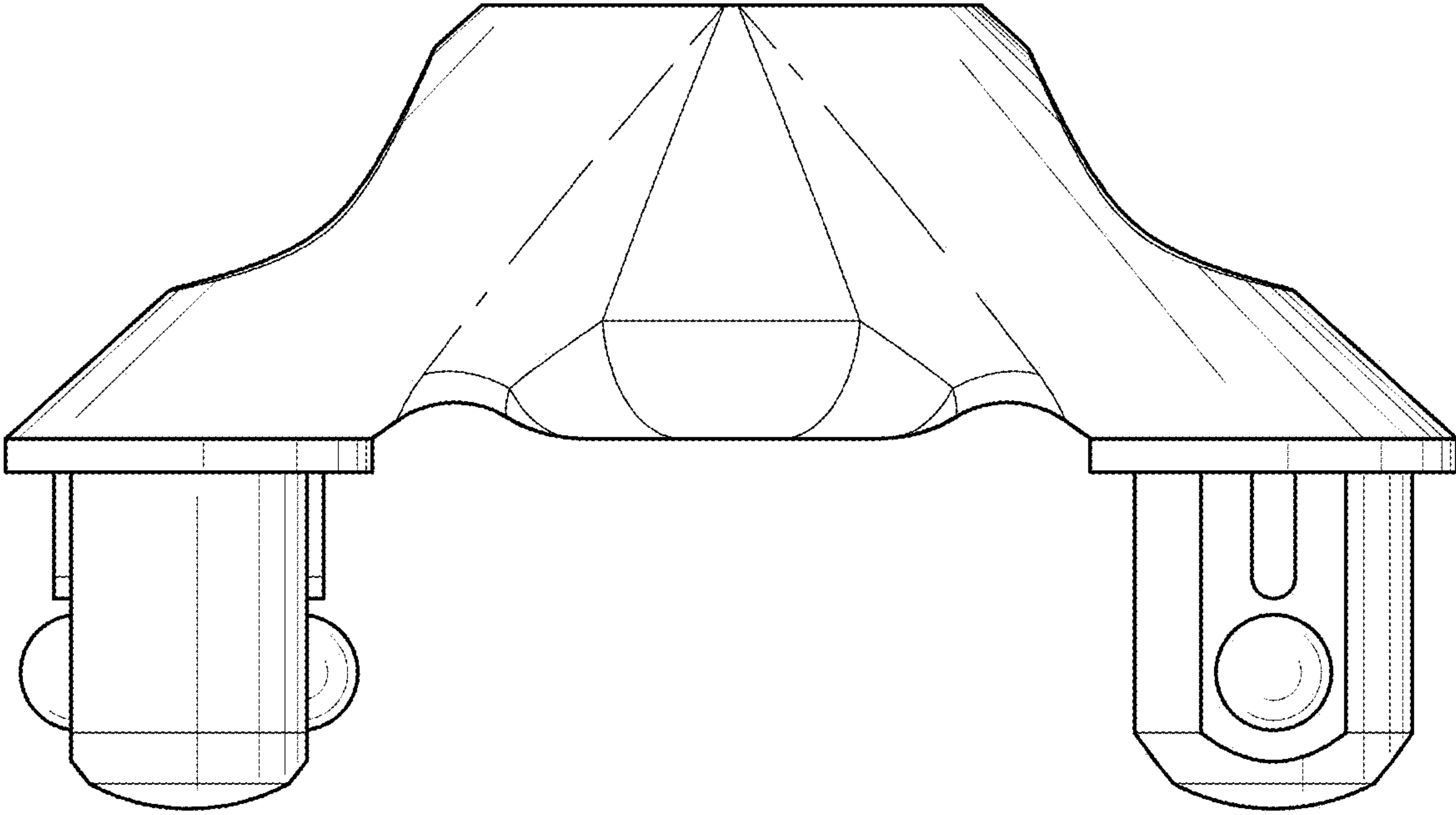


FIG. 5

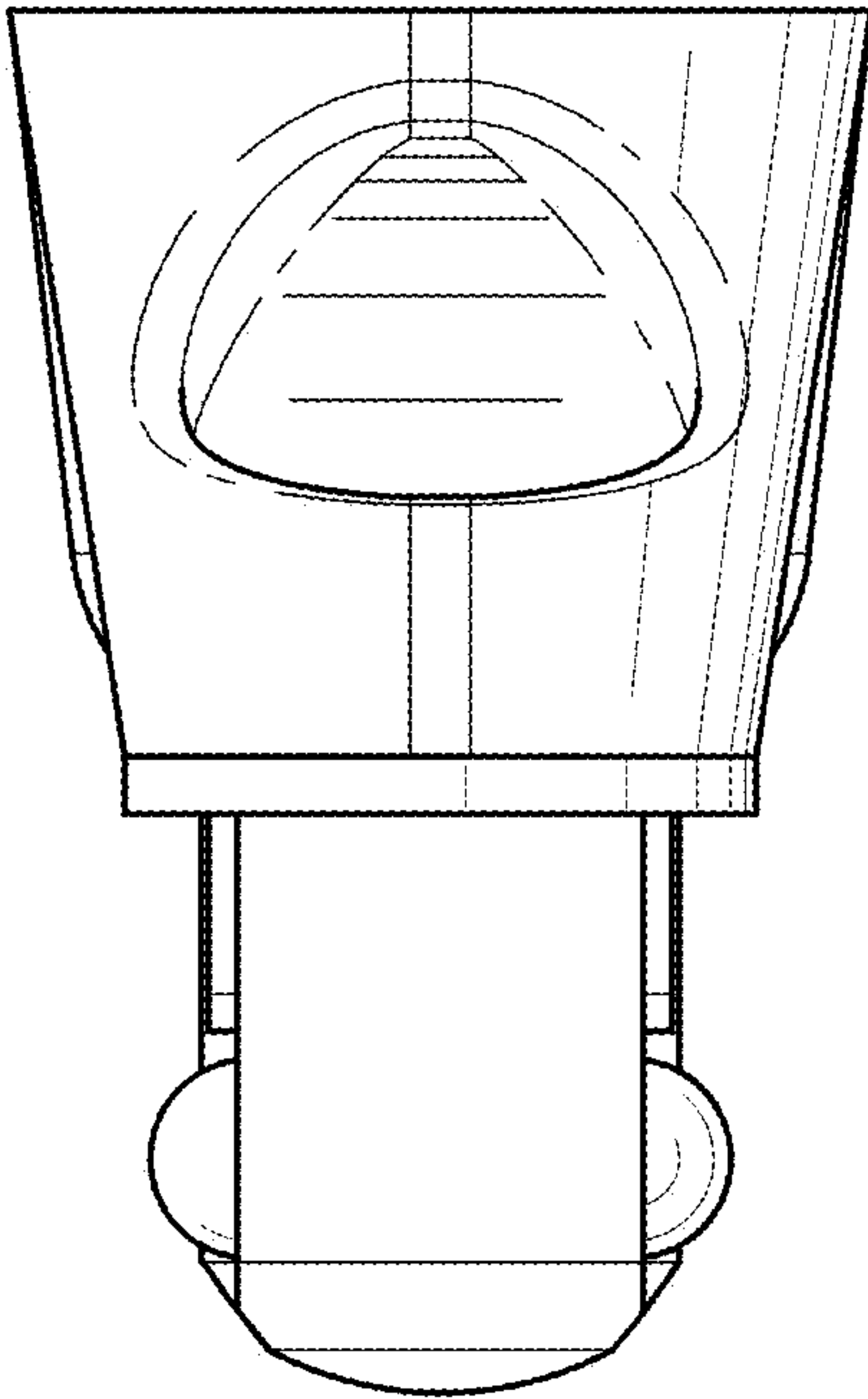


FIG. 6

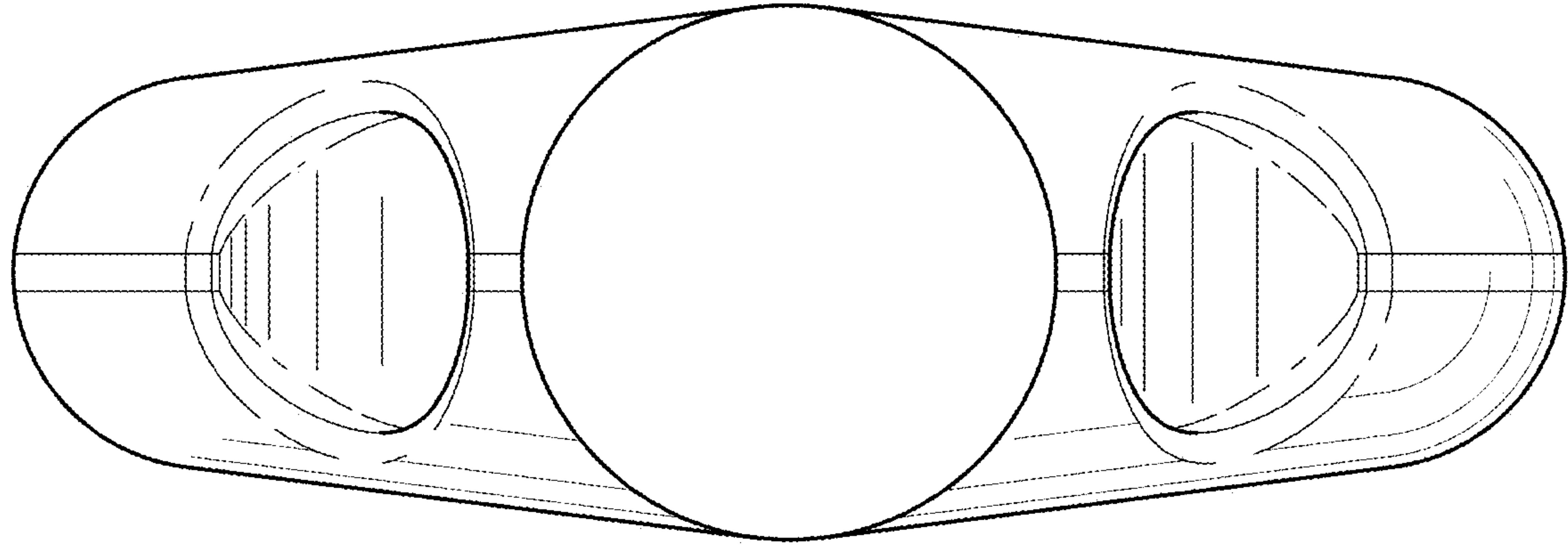


FIG. 7

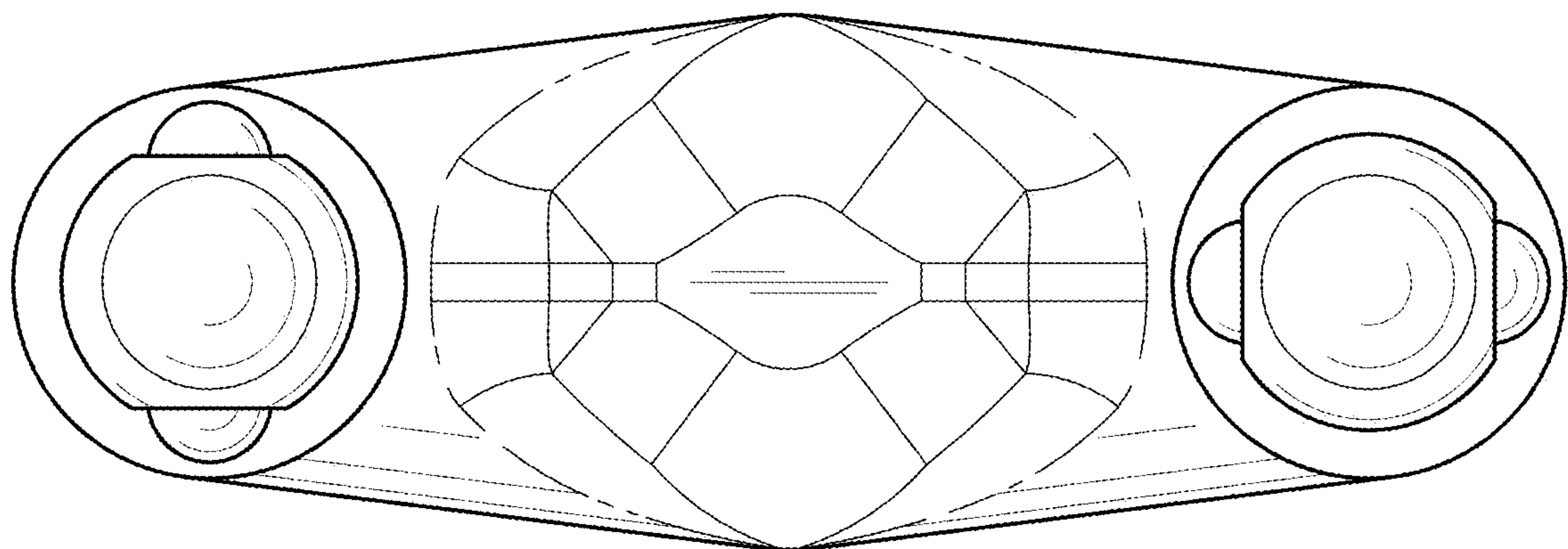


FIG. 8