



US00D932034S

(12) **United States Design Patent** (10) **Patent No.:** **US D932,034 S**
McDonough et al. (45) **Date of Patent:** **** *Sep. 28, 2021**

(54) **TENS OR EMS DEVICE**
(71) Applicants: **Johnson & Johnson Consumer Inc.**, Skillman, NJ (US); **Umeheal Ltd**, Guangdong (CN)
(72) Inventors: **Justin E. McDonough**, Flemington, NJ (US); **Xufeng Wu**, Shanghai (CN); **Litong Wang**, Shanghai (CN); **Lai Hing Vair**, Belle Mead, NJ (US); **Rui Lin**, Shenzhen (CN)
(73) Assignees: **Johnson & Johnson Consumer Inc.**, Skillman, NJ (US); **Umeheal Ltd.**, Shenzhen (CN)

D547,454 S 7/2007 Hsieh
D549,828 S 8/2007 Wolfson
D613,868 S 4/2010 Lhuillery et al.
D701,610 S 3/2014 Thomas et al.
D704,848 S 5/2014 Thomas et al.
D712,052 S 8/2014 Thomas et al.
D716,457 S 10/2014 Brefka et al.
D716,958 S 11/2014 Thomas et al.
D735,873 S 8/2015 Brefka et al.
D754,355 S 4/2016 Ganapathy et al.
D756,526 S 5/2016 Ho
D759,257 S 6/2016 Chen
D794,812 S * 8/2017 Matsushita D24/200
D802,780 S 11/2017 Hsu
D803,410 S * 11/2017 Im D24/187

(Continued)

(*) Notice: This patent is subject to a terminal disclaimer.

(**) Term: **15 Years**

(21) Appl. No.: **29/729,980**

(22) Filed: **Mar. 31, 2020**

(51) **LOC (13) Cl.** **24-02**

(52) **U.S. Cl.**
USPC **D24/200; D24/167**

(58) **Field of Classification Search**
USPC D24/107, 164, 165-169, 186, 187, 200;
D10/75, 70, 98; D14/341, 344
CPC .. A61N 1/36; A61N 1/36014; A61N 1/36021;
A61N 1/36057; A61N 1/3605; A61N
1/36003; A61N 1/37211; A61N 1/37235;
A61N 1/3787; A61N 1/322; A61N
1/0404; A61N 1/0452; A61N 1/0456;
A61N 1/048

See application file for complete search history.

(56) **References Cited**

U.S. PATENT DOCUMENTS

D442,694 S 5/2001 Cheng
D486,234 S 2/2004 Chernyshev et al.

OTHER PUBLICATIONS

U.S. Appl. No. 29/729,963, filed Mar. 31, 2020, McDonough et al., Pending.

(Continued)

Primary Examiner — Anhdao Doan

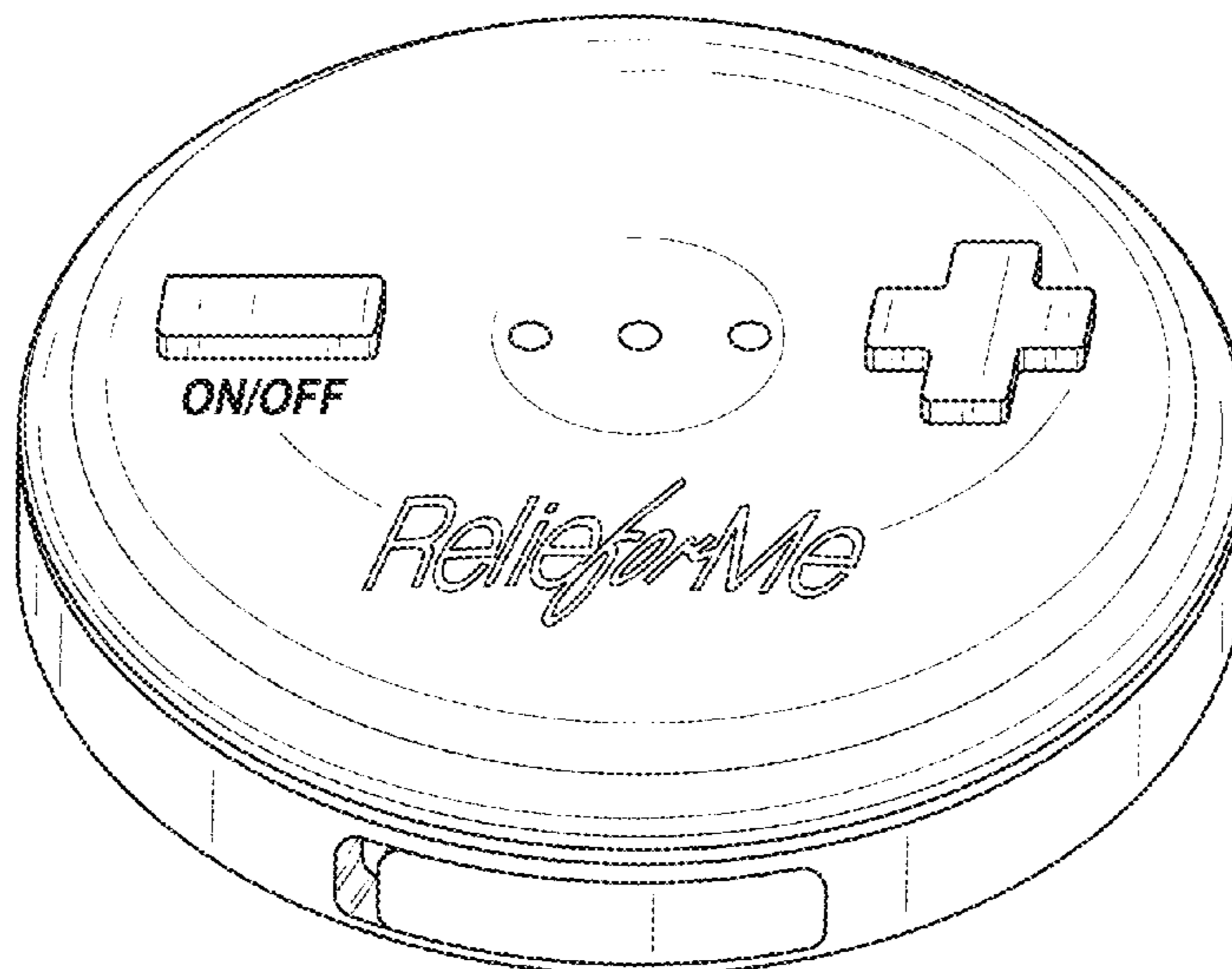
(57) **CLAIM**

The ornamental design for a TENS or EMS device, as shown and described.

DESCRIPTION

FIG. 1 is a perspective view of a TENS or EMS device; FIG. 2 is a front view thereof; FIG. 3 is a rear view thereof; FIG. 4 is a side view thereof; FIG. 5 is another side view thereof; FIG. 6 is a top view thereof; FIG. 7 is a bottom view thereof; and, FIG. 8 is a perspective view of the TENS or EMS device connected to an electrode pad. The broken lines depict environmental subject matter only and form no part of the claimed design.

1 Claim, 4 Drawing Sheets



(56)

References Cited

U.S. PATENT DOCUMENTS

D810,311	S	*	2/2018	Chen	D24/200
D810,952	S		2/2018	Hsu		
D813,405	S		3/2018	Ho		
D821,595	S	*	6/2018	Ito	D24/200
D830,555	S	*	10/2018	Lin	D24/167
D830,565	S		10/2018	Xu		
D831,217	S	*	10/2018	Geissen	D24/168
D834,209	S	*	11/2018	Tan	D24/200
D836,788	S		12/2018	Peng		
D837,394	S		1/2019	Cryan et al.		
D855,193	S	*	7/2019	Levi	D24/200
D875,264	S	*	2/2020	Katz	D24/200
D902,417	S	*	11/2020	Schroeder	D24/200
D904,619	S	*	12/2020	Spyropoulos	D24/169
D921,902	S	*	6/2021	Nachum	D24/168
2017/0209693	A1	*	7/2017	An	A61N 1/36034
2020/0179691	A1	*	6/2020	Chen	A61N 1/0452

OTHER PUBLICATIONS

U.S. Appl. No. 29/729,973, filed Mar. 31, 2020, McDonough et al., Pending.

U.S. Appl. No. 29/729,980, filed Mar. 31, 2020, McDonough et al., Pending.

U.S. Appl. No. 29/729,983, filed Mar. 31, 2020, McDonough et al., Pending.

U.S. Appl. No. 29/729,984, filed Mar. 31, 2020, McDonough et al., Pending.

U.S. Appl. No. 29/729,989, filed Mar. 31, 2020, McDonough et al., Pending.

* cited by examiner

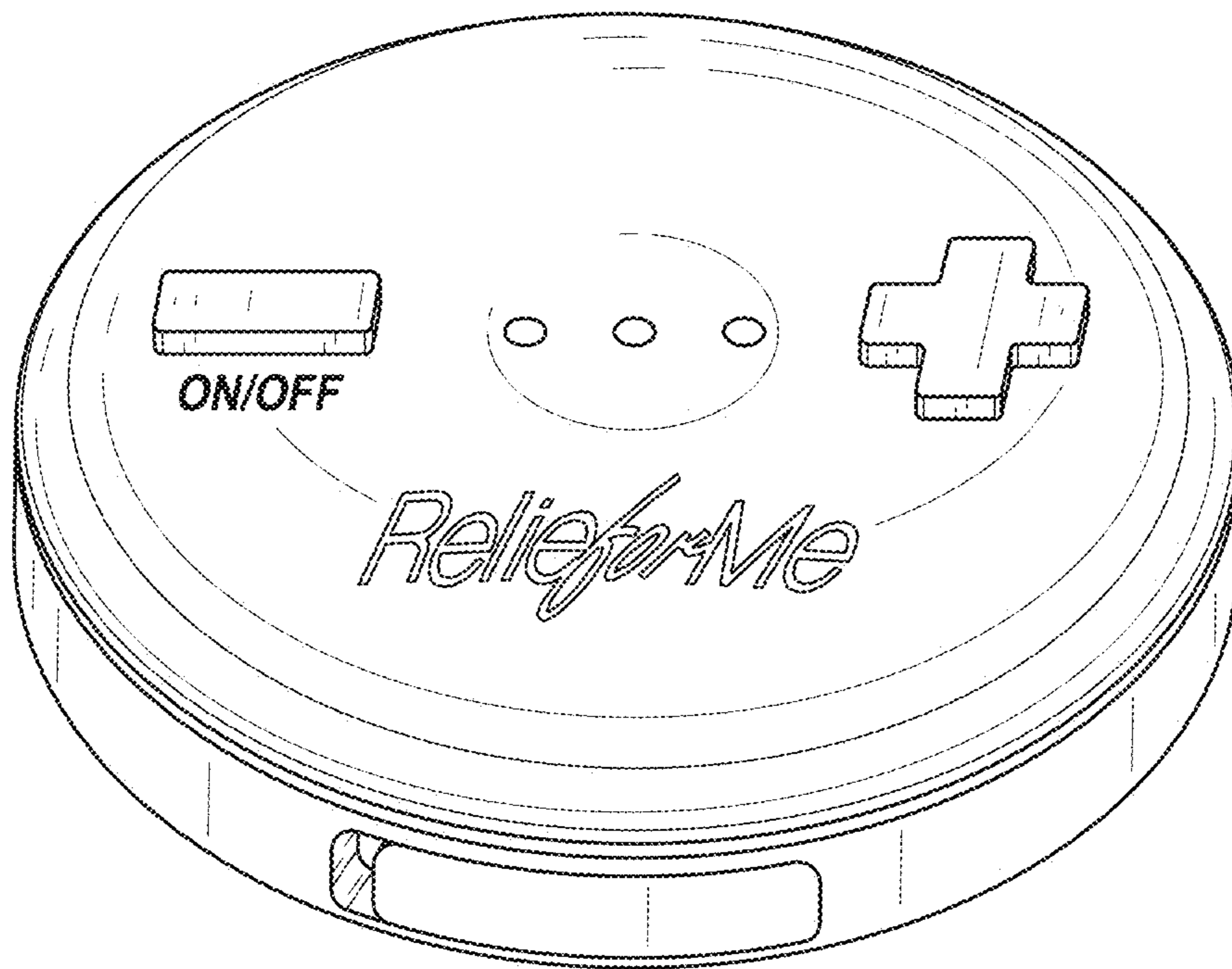


FIG. 1

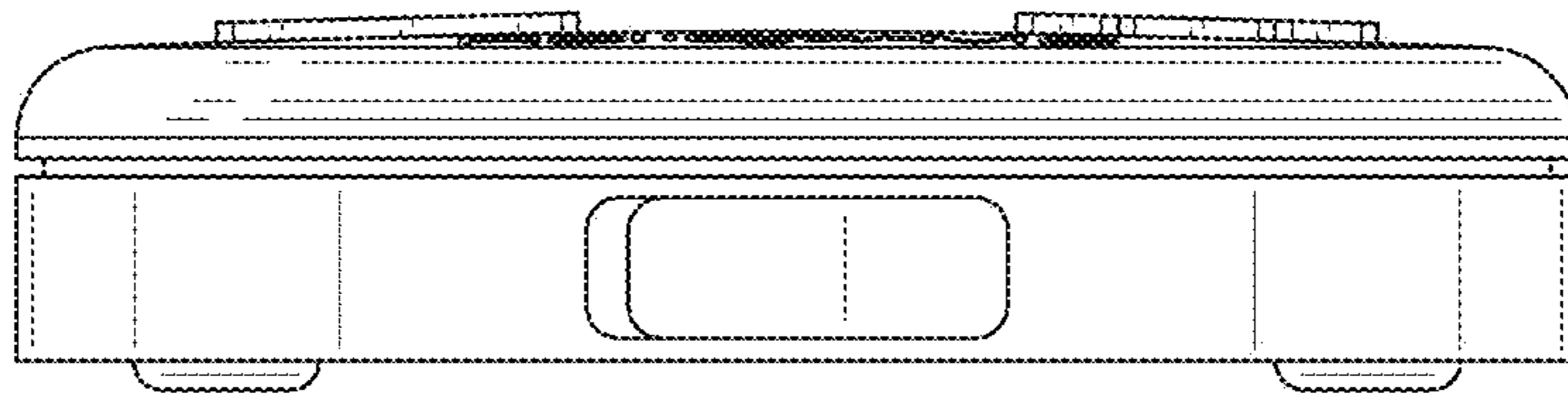


FIG. 2

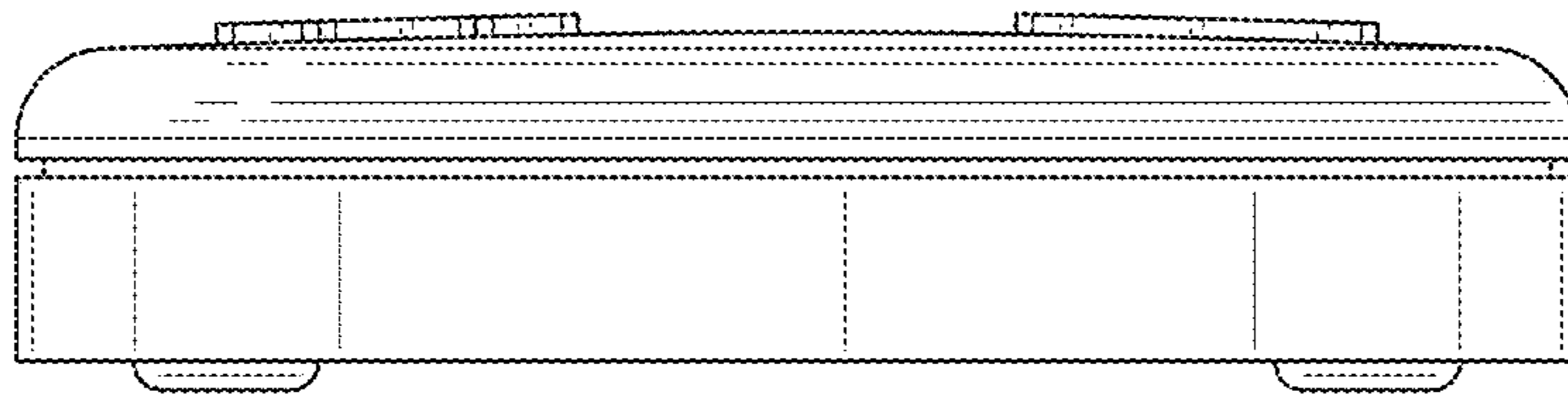


FIG. 3

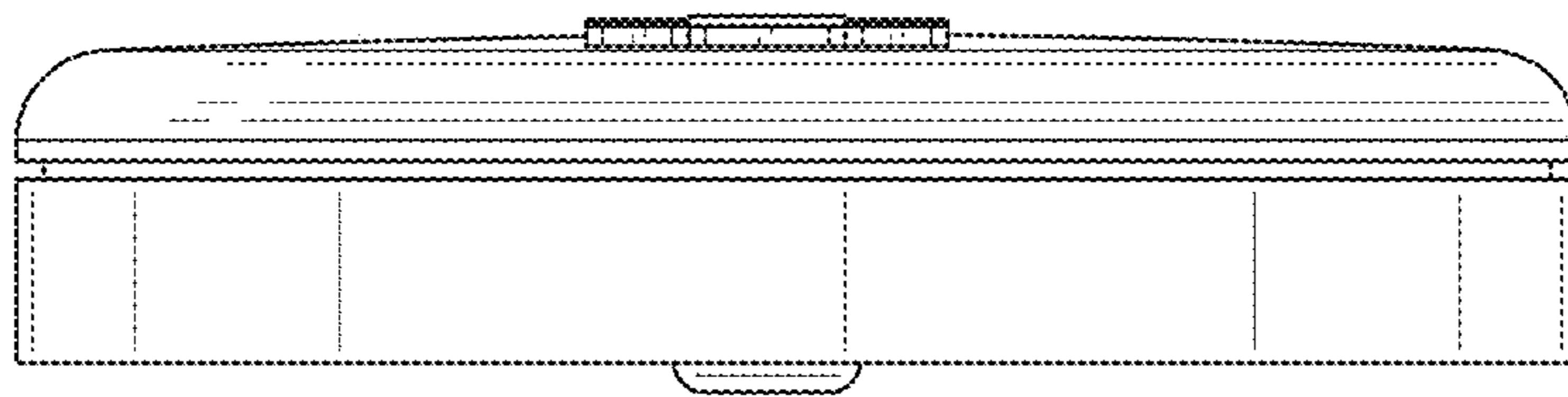


FIG. 4

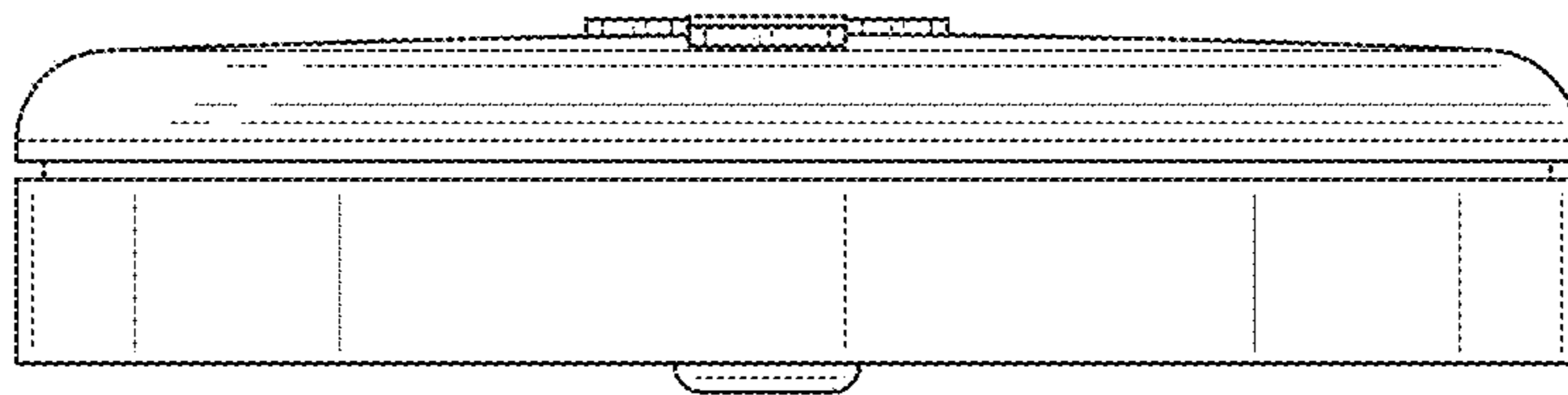


FIG. 5

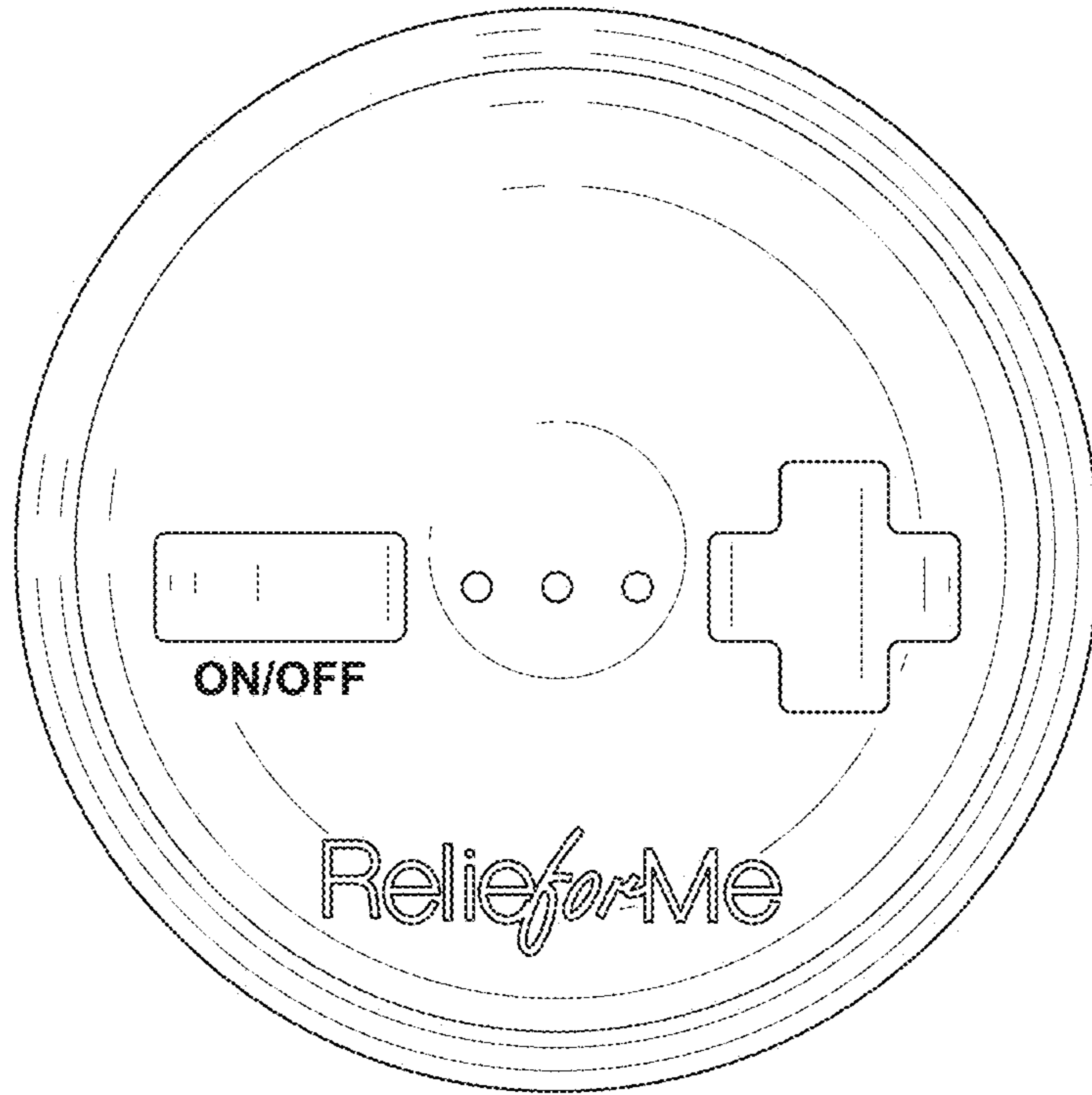


FIG. 6

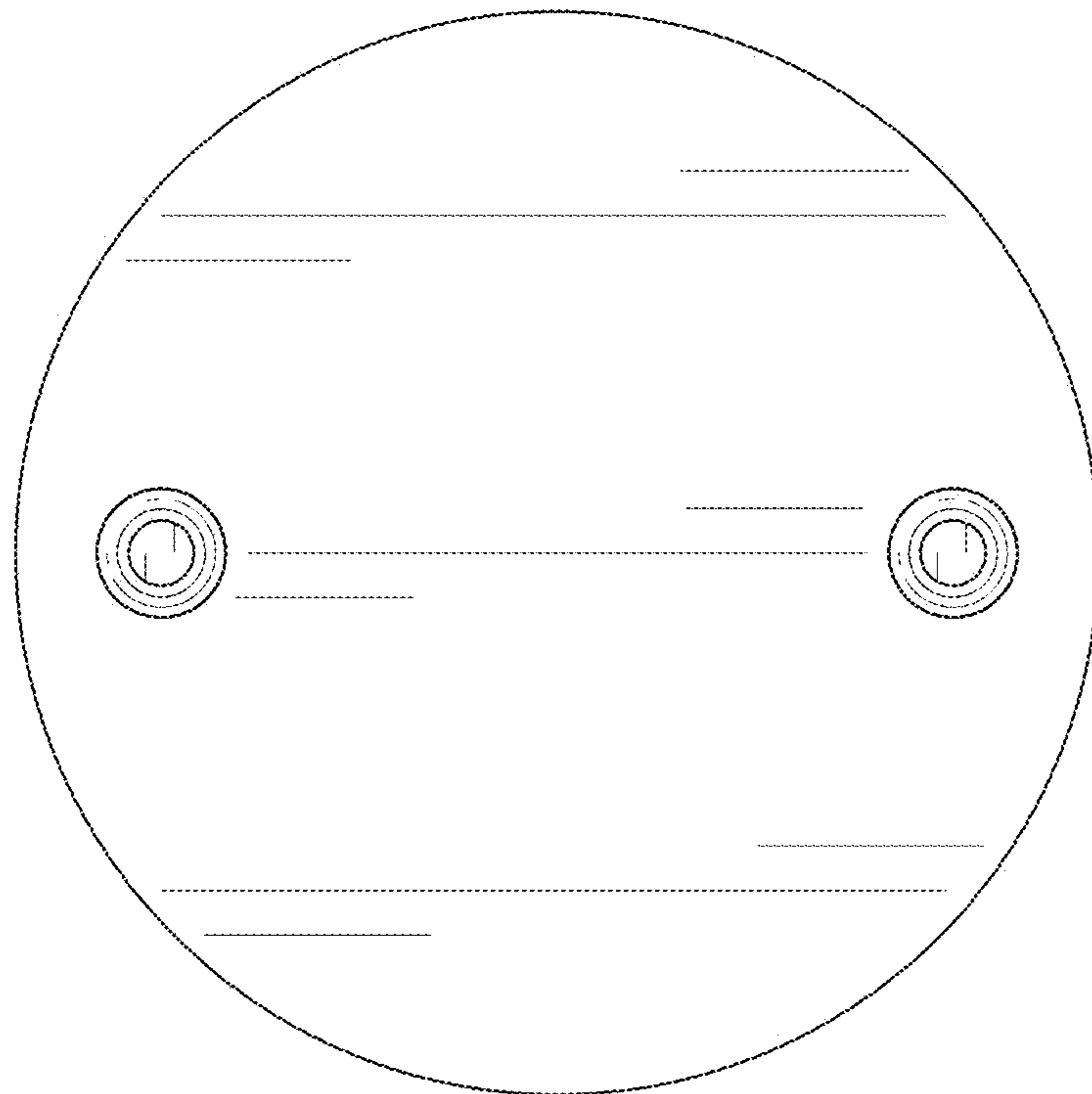


FIG. 7

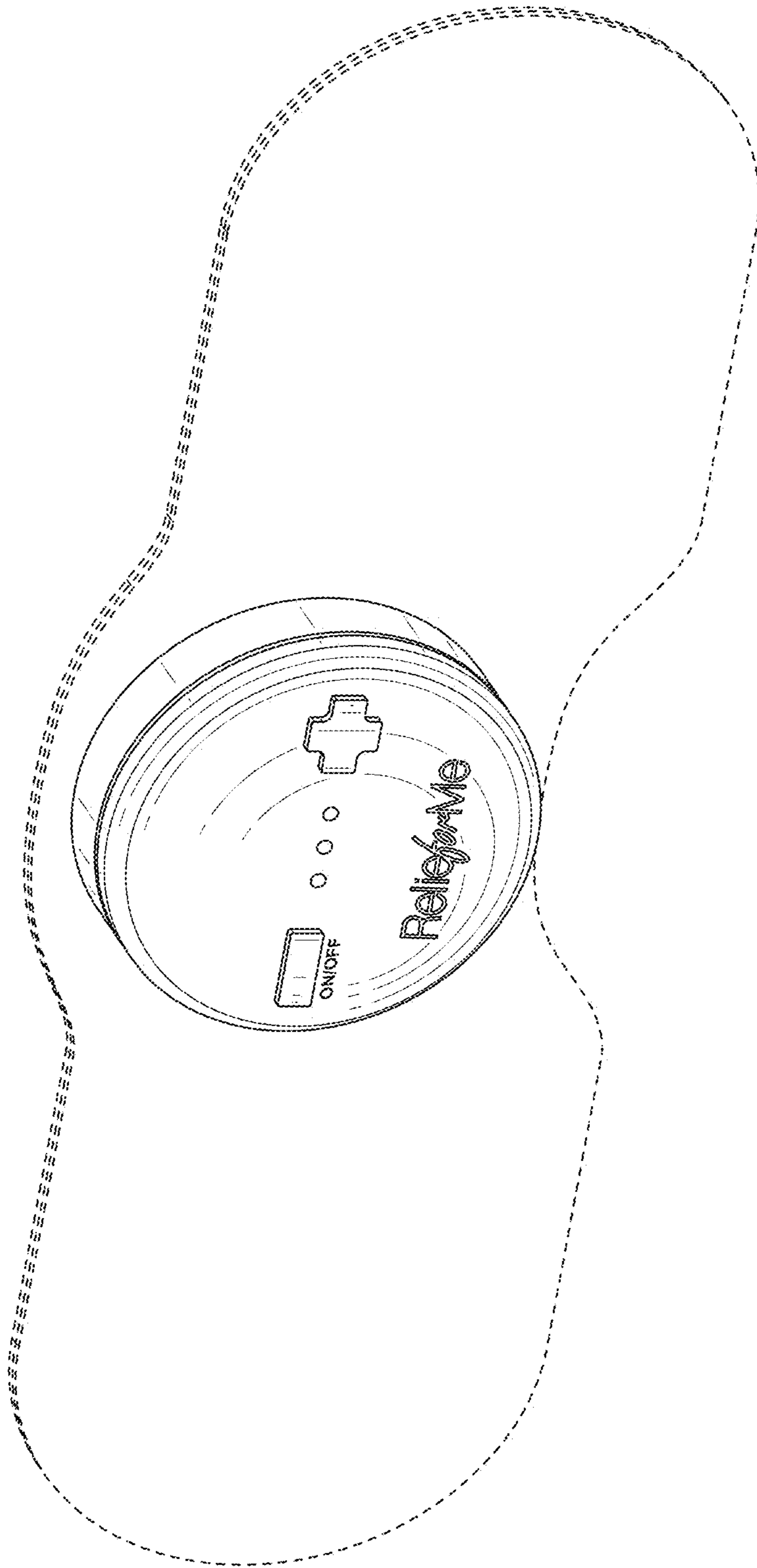


FIG. 8