



US00D932031S

(12) **United States Design Patent**
Lowsky

(10) **Patent No.:** **US D932,031 S**
(45) **Date of Patent:** **** Sep. 28, 2021**

(54) **TEETHER**

(71) Applicant: **LullaBites, LLC**, Columbia, SC (US)

(72) Inventor: **Rebecca E. Lowsky**, Columbia, SC (US)

(73) Assignee: **Lullabites, LLC**, Columbia, SC (US)

(**) Term: **15 Years**

(21) Appl. No.: **29/734,531**

(22) Filed: **May 13, 2020**

(51) **LOC (13) Cl.** **24-04**

(52) **U.S. Cl.**
USPC **D24/195**

(58) **Field of Classification Search**
USPC D24/193, 194, 195, 208, 214; D30/160;
D1/106, 107, 110, 115, 125; D21/483,
D21/496, 532, 576, 603, 615, 622, 650
CPC A61J 17/02; A61J 17/111; A61J 2200/44
See application file for complete search history.

(56) **References Cited**

U.S. PATENT DOCUMENTS

D373,450 S *	9/1996	O'Rourke	D30/160
D385,123 S *	10/1997	Romanelli	D6/358
D395,515 S *	6/1998	Fletcher	D24/195
D505,492 S *	5/2005	Listenberger	D24/194
D704,847 S *	5/2014	Huang	D24/195
D722,419 S *	2/2015	Rogers	D1/199
D726,586 S *	4/2015	Zignego	D11/157
D768,303 S *	10/2016	Pauschitz	D24/195
D836,785 S *	12/2018	Zhang	D24/194
D912,834 S *	3/2021	Lowsky	D24/195
2004/0093033 A1 *	5/2004	Desousa	A61J 17/02 606/235
2009/0287247 A1 *	11/2009	Chipperson	A61J 11/00 606/235
2014/0243895 A1 *	8/2014	Kellogg	A63H 33/006 606/235

OTHER PUBLICATIONS

“Alibaba: Wooden Moon Star Plane Butterfly”. Found online May 11, 2021 at alibaba.com. Reference dated Dec. 27, 2019. Retrieved from https://www.alibaba.com/product-detail/Wholesale-High-Quality-Decorative-Moon-Star_62403816791.html.*

“Green Sprouts: First Teethers”. Found online May 11, 2021 at amazon.com. Reference dated Aug. 9, 2020. Retrieved from https://www.amazon.com/green-sprouts-First-Teethers-Silicone/dp/B07YLBQYL3/ref=cm_cr_ar_p_d_product_top?ie=UTF8.*

“JNW Teethers: Beech Wooden Teether—Crescent Moon”. Found online May 11, 2021 at jnwdiysupply.com. Reference dated May 11, 2021. Retrieved from <https://jnwdiysupply.com/products/beech-wooden-teether-crescent-moon>.*

“NUK Newbork Accessories: Welcome Set”. Found online May 11, 2021 at instagram.com. Reference dated Aug. 9, 2018. Retrieved from <https://www.instagram.com/p/BmP5jP9I1-Q/>.*

* cited by examiner

Primary Examiner — Kendra Leslie Hamilton

(74) *Attorney, Agent, or Firm* — Nelson Mullins Riley & Scarborough LLP

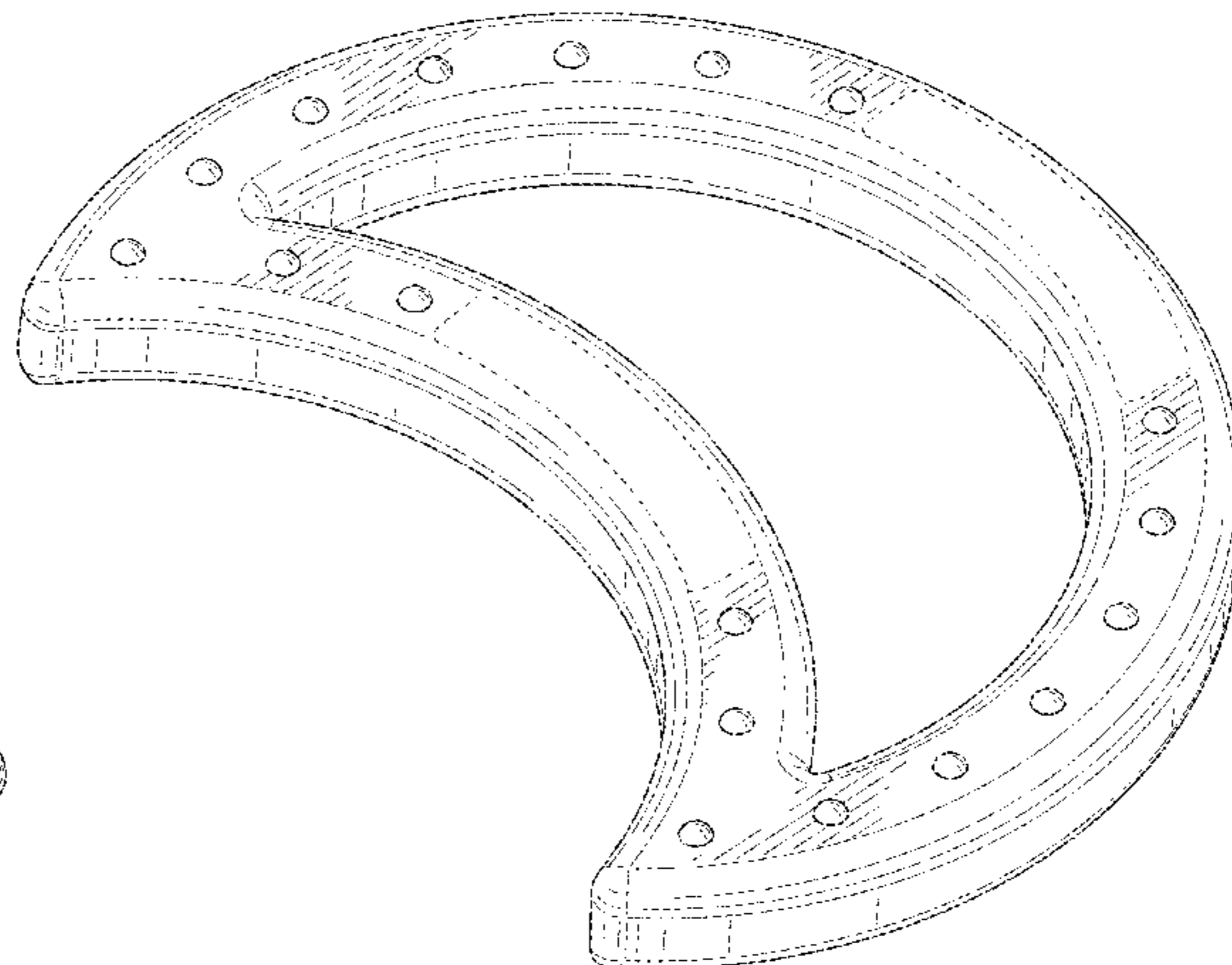
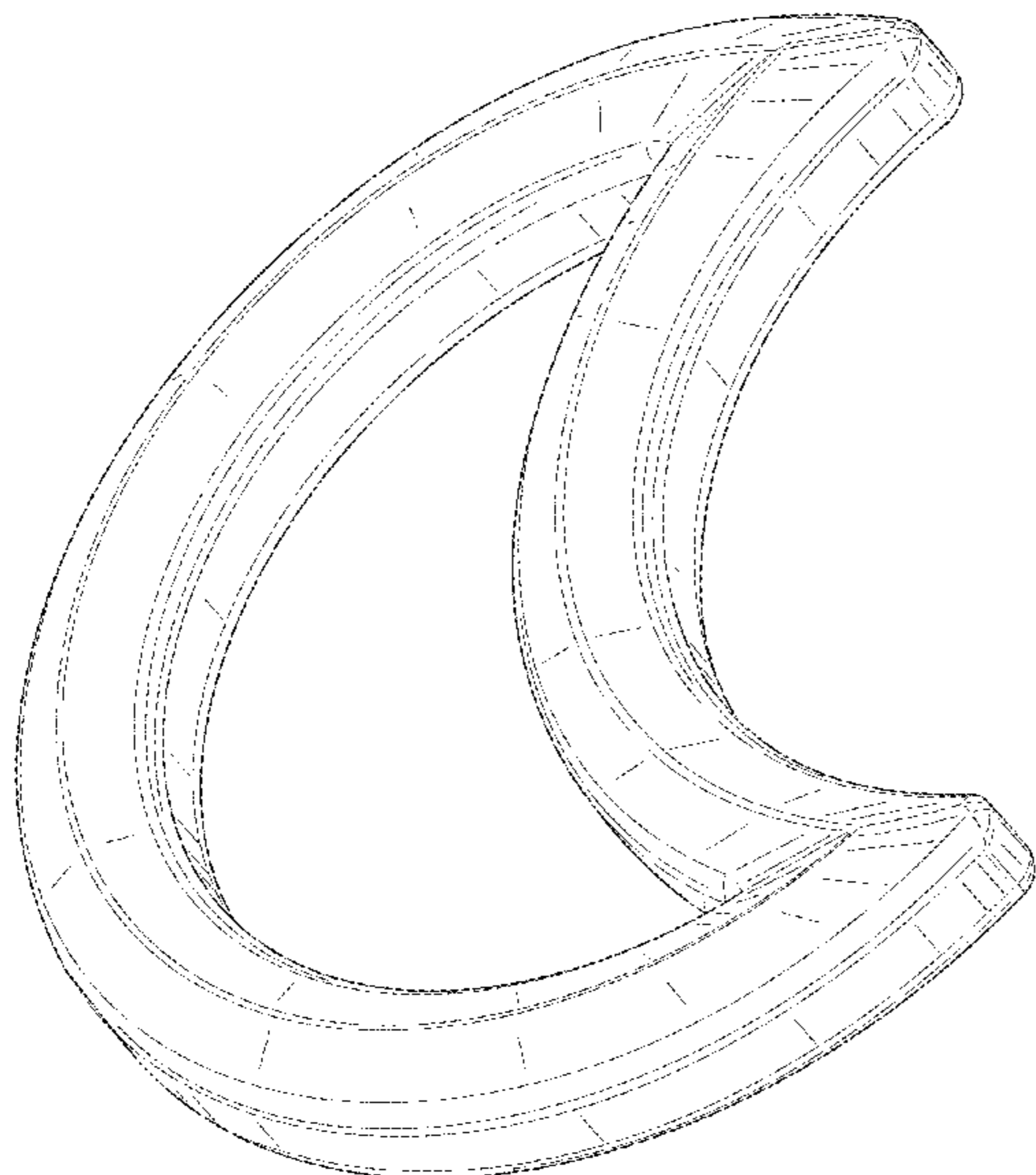
(57) **CLAIM**

The ornamental design for a teether, substantially as shown and described.

DESCRIPTION

FIG. 1 is a bottom, front, right perspective view of a teether, showing my new design;
FIG. 2 is a bottom, back, right perspective view thereof;
FIG. 3 is a front elevation view thereof;
FIG. 4 is a back elevation view thereof;
FIG. 5 is a right side elevation view thereof;
FIG. 6 is a left side elevation view thereof;
FIG. 7 is a top plan view thereof; and,
FIG. 8 is a bottom plan view thereof.
The broken lines in FIGS. 2 and 4 depict portions of the teether that form no part of the claimed design.

1 Claim, 6 Drawing Sheets



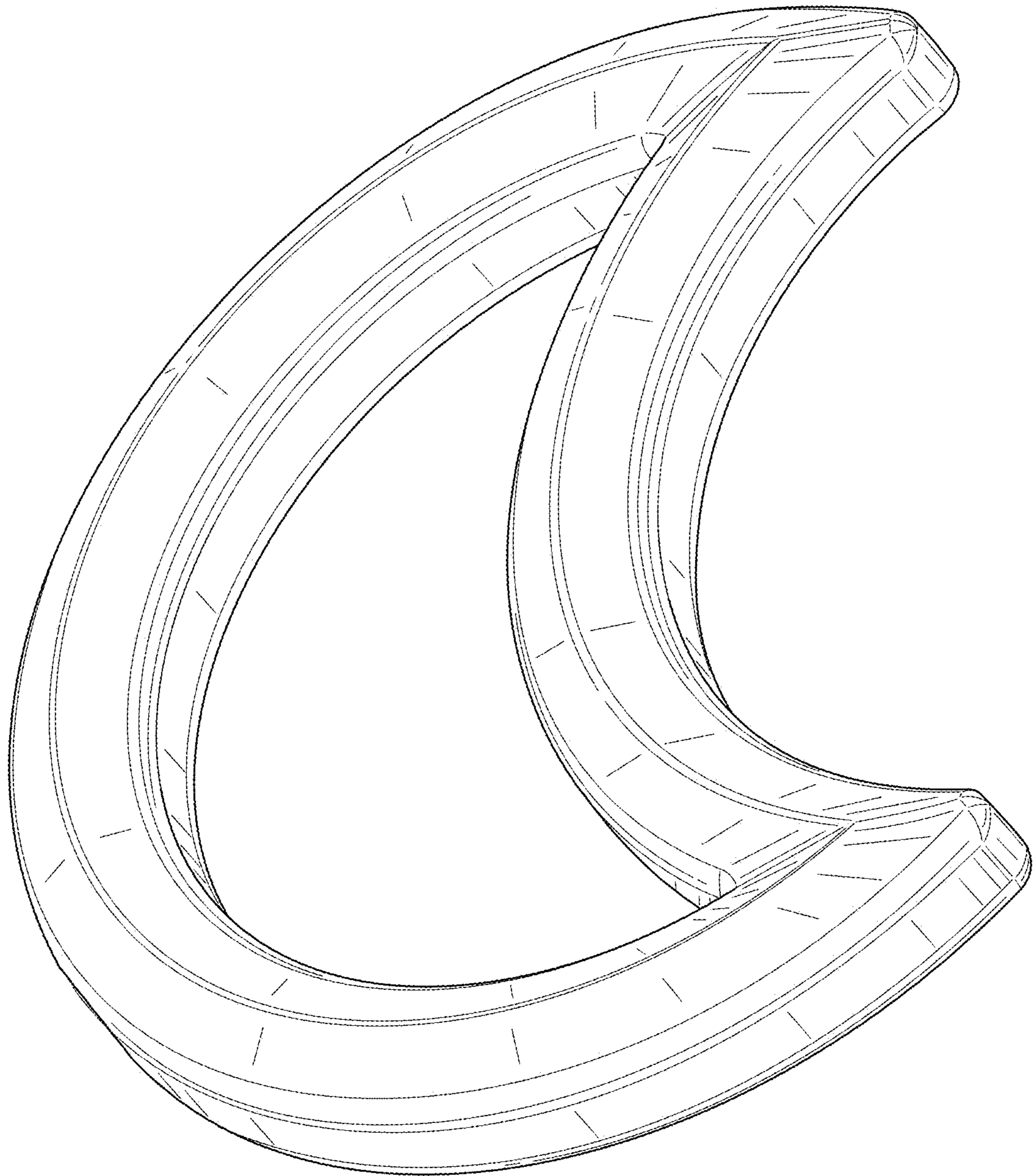


FIG. 1

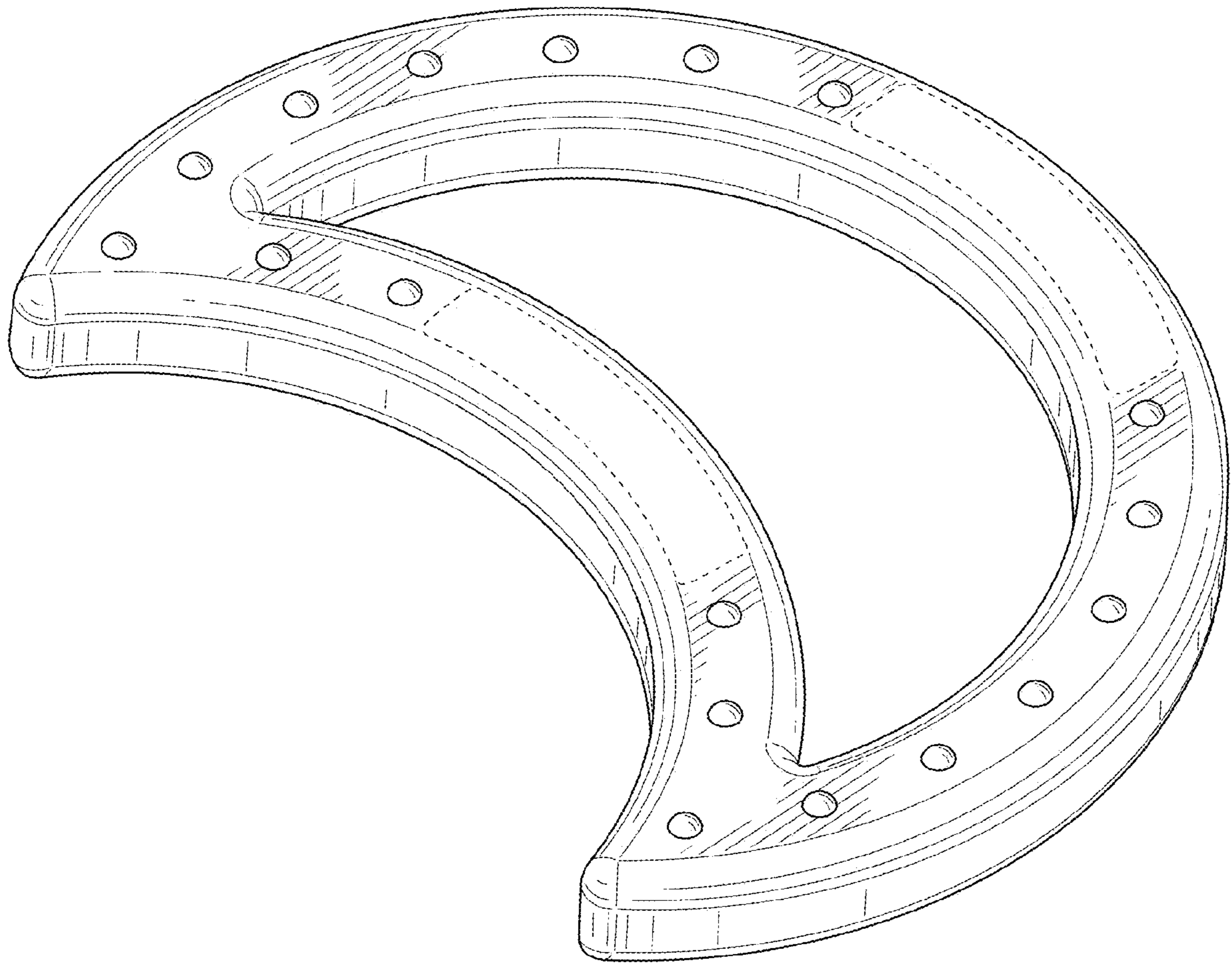


FIG. 2

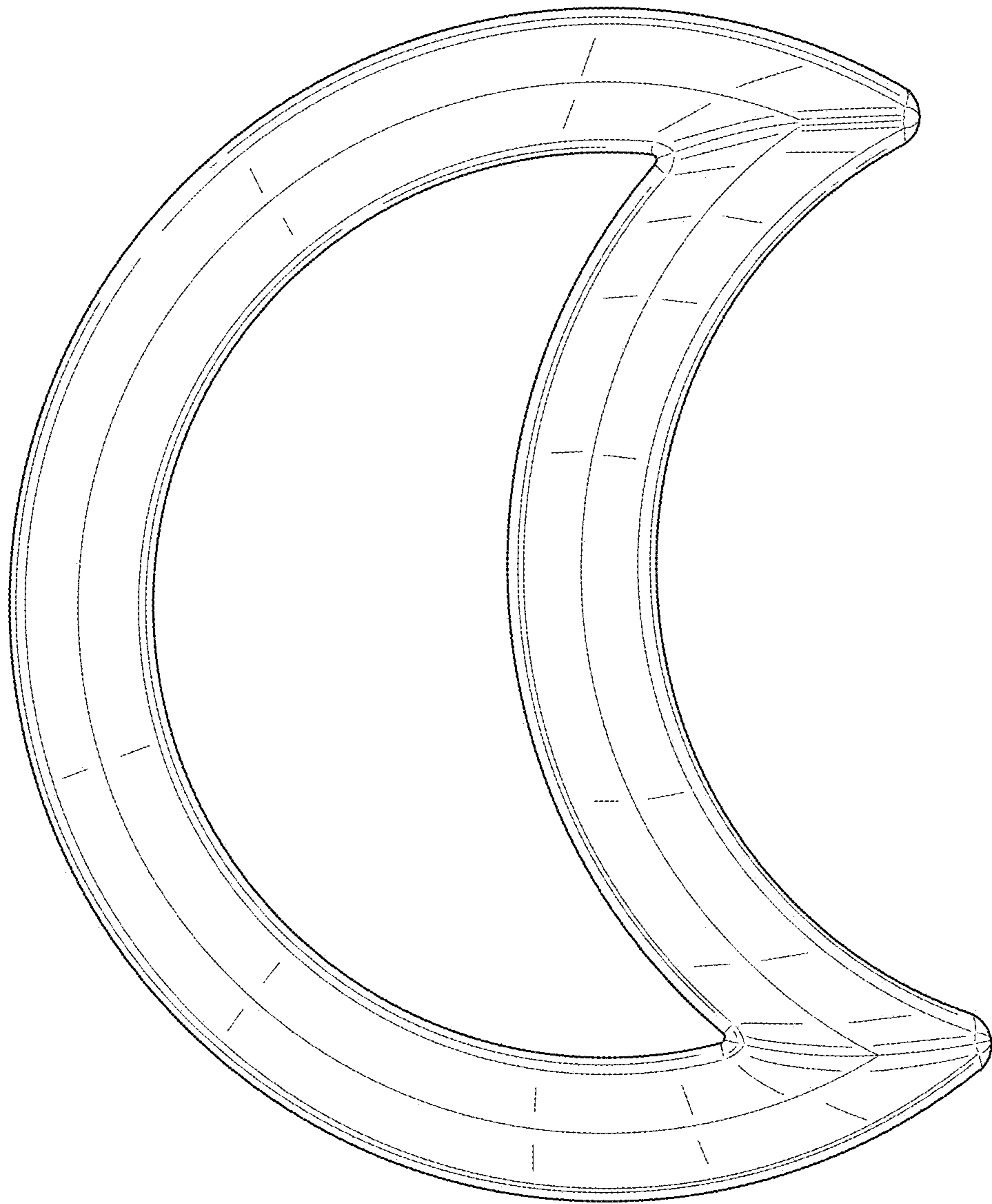


FIG. 3

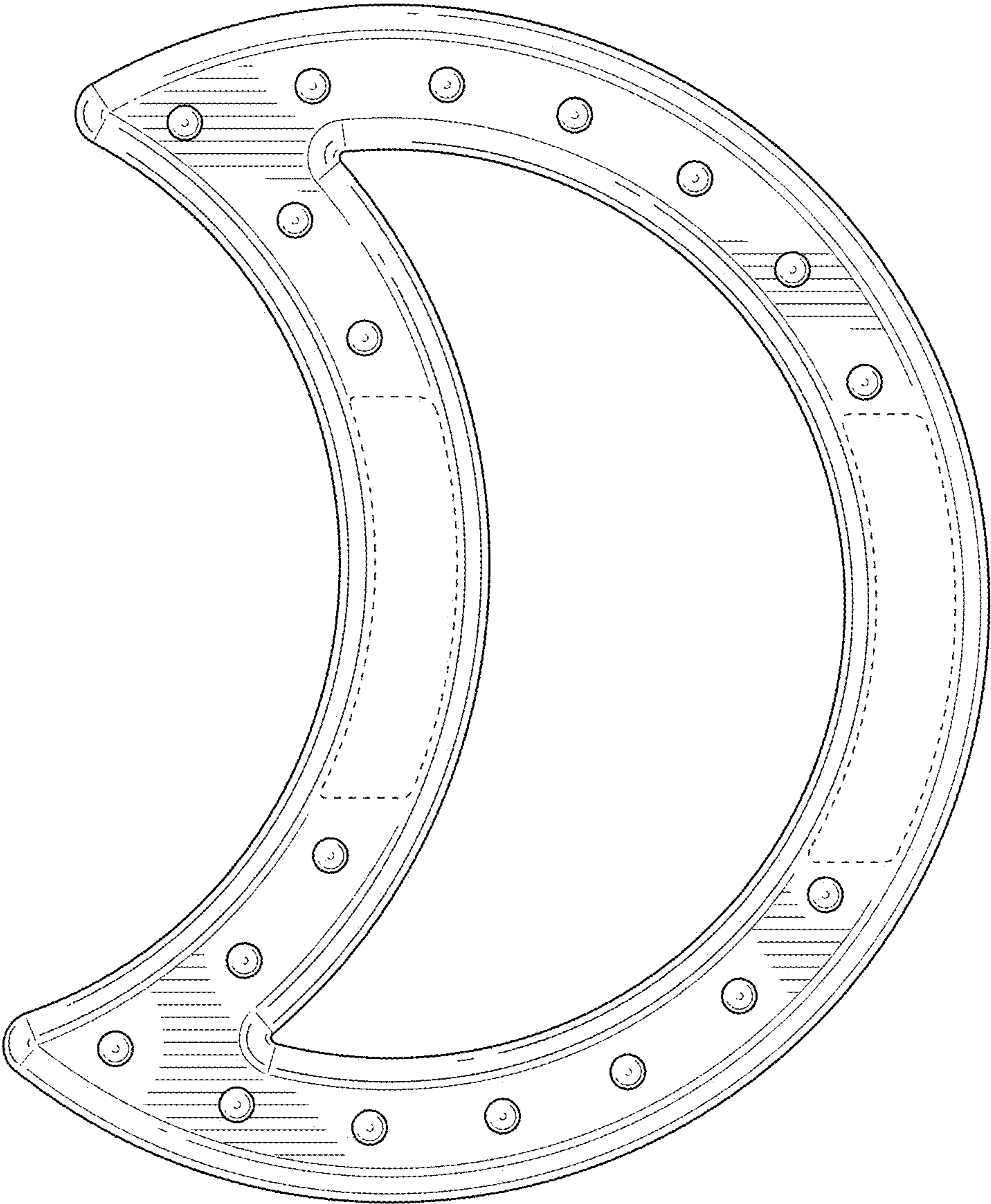


FIG. 4

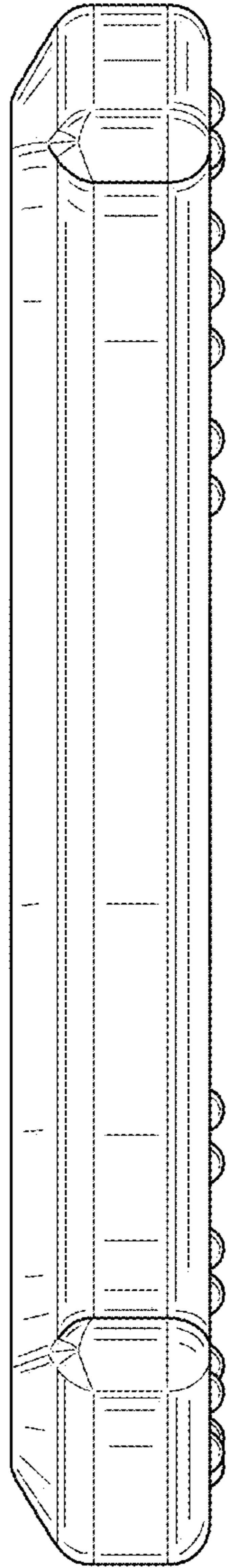


FIG. 5

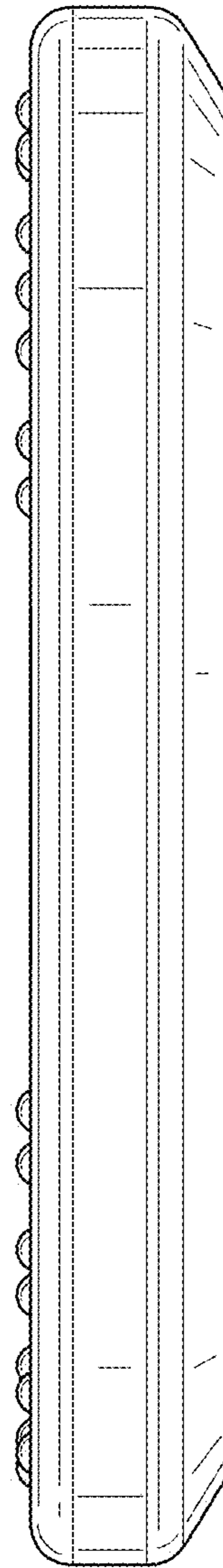


FIG. 6

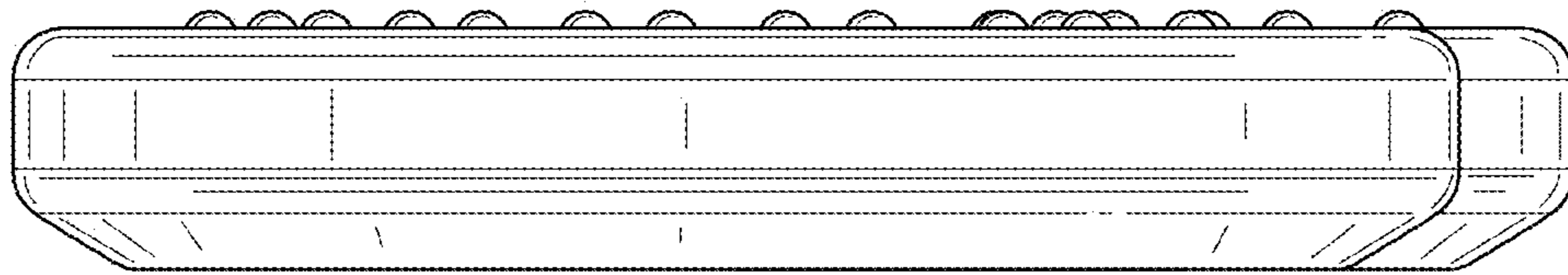


FIG. 7

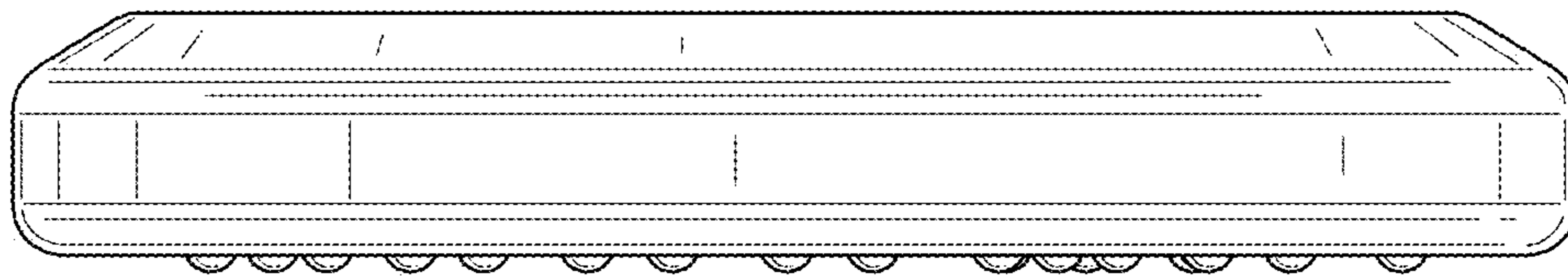


FIG. 8