



US00D932030S

(12) **United States Design Patent** (10) **Patent No.:** **US D932,030 S**
Lowsky (45) **Date of Patent:** **** Sep. 28, 2021**

(54) **ORAL-MOTOR CHEW TOOL**

(71) Applicant: **ARK Therapeutic Services, Inc.**,
Columbia, SC (US)
(72) Inventor: **Rebecca E. Lowsky**, Columbia, SC
(US)
(73) Assignee: **ARK Therapeutic Services, Inc.**,
Columbia, SC (US)

(**) Term: **15 Years**

(21) Appl. No.: **29/712,396**

(22) Filed: **Nov. 7, 2019**

(51) **LOC (13) Cl.** **24-04**

(52) **U.S. Cl.**
USPC **D24/195**

(58) **Field of Classification Search**
USPC D24/193, 194, 195, 208, 214; D30/160;
D1/106, 107, 110, 115, 125; D21/483,
D21/496, 532, 576, 603, 615, 622, 650
CPC A61J 17/02; A61J 17/111; A61J 2200/44
See application file for complete search history.

(56) **References Cited**

U.S. PATENT DOCUMENTS

| | | | | |
|-------------------|---------|------------|-------|------------------------|
| D264,880 S * | 6/1982 | Panicci | | D24/194 |
| 5,782,868 A * | 7/1998 | Moore, Jr. | | A61J 17/02 606/235 |
| D408,482 S * | 4/1999 | Morrison | | D21/708 |
| D549,427 S * | 8/2007 | Gambino | | D1/125 |
| D674,494 S * | 1/2013 | Roehrig | | D24/194 |
| D845,559 S * | 4/2019 | Crane | | D30/160 |
| D870,986 S * | 12/2019 | Wilhelm | | D30/160 |
| D885,595 S * | 5/2020 | Luntz | | D24/195 |
| D901,127 S * | 11/2020 | Monk | | D1/125 |
| 2009/0287247 A1 * | 11/2009 | Chipperson | | A61J 11/00 606/235 |
| 2012/0290007 A1 * | 11/2012 | Rohrig | | A61J 17/02 606/235 |
| 2014/0243895 A1 * | 8/2014 | Kellogg | | A63H 33/006 606/235 |
| 2019/0290549 A1 * | 9/2019 | Qi | | A61J 17/10 |

OTHER PUBLICATIONS

“ARK: Football Chew”. Found online May 10, 2021 at instagram.com. Reference dated Nov. 20, 2019. Retrieved from https://www.instagram.com/p/B5G7e-hA_Ik/.
“Photre: Football and Beads Teether Toy”. Found online May 11, 2021 at photrekart.com. Reference dated Sep. 25, 2019. Retrieved from https://www.photrekart.com/index.php?main_page=product_info&products_id=189471.
“Fun and Function: Grip It Football Chewy & Fidget”. Found online May 11, 2021 at funandfunction.com. Reference dated Sep. 21, 2020. Retrieved from <https://web.archive.org/web/20200921033612/https://funandfunction.com/grip-it-football-chewy-fidget-set-of-2.html>.
“Growing Your Baby: Soothe Their Gums with These 12 Great Teethers”. Found online Nov. 4, 2016 at growingyourbaby.com. Reference dated Mar. 17, 2014. Retrieved from <http://www.growingyourbaby.com/2014/03/17/soothe-their-gums-with-these-12-great-teethers/>.

* cited by examiner

Primary Examiner — Kendra Leslie Hamilton
(74) *Attorney, Agent, or Firm* — Nelson Mullins Riley & Scarborough LLP

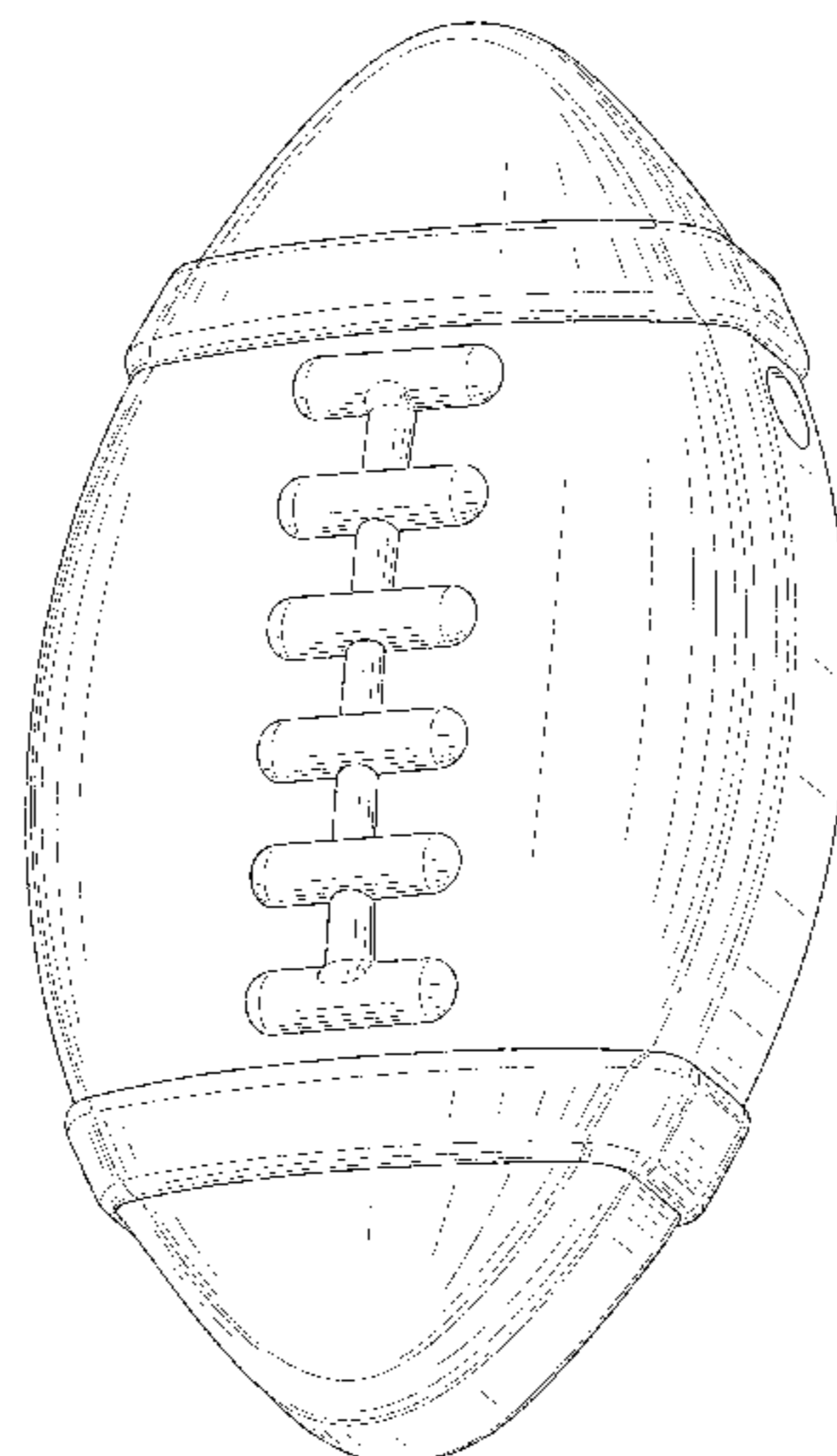
(57) **CLAIM**

The ornamental design for an oral-motor chew tool, substantially as shown and described.

DESCRIPTION

FIG. 1 is a bottom, front, right perspective view of an oral-motor chew tool, showing my new design;
FIG. 2 is a front elevation view thereof;
FIG. 3 is a back elevation view thereof;
FIG. 4 is a right side elevation view thereof;
FIG. 5 is a left side elevation view thereof;
FIG. 6 is a top plan view thereof; and,
FIG. 7 is a bottom plan view thereof.

1 Claim, 6 Drawing Sheets



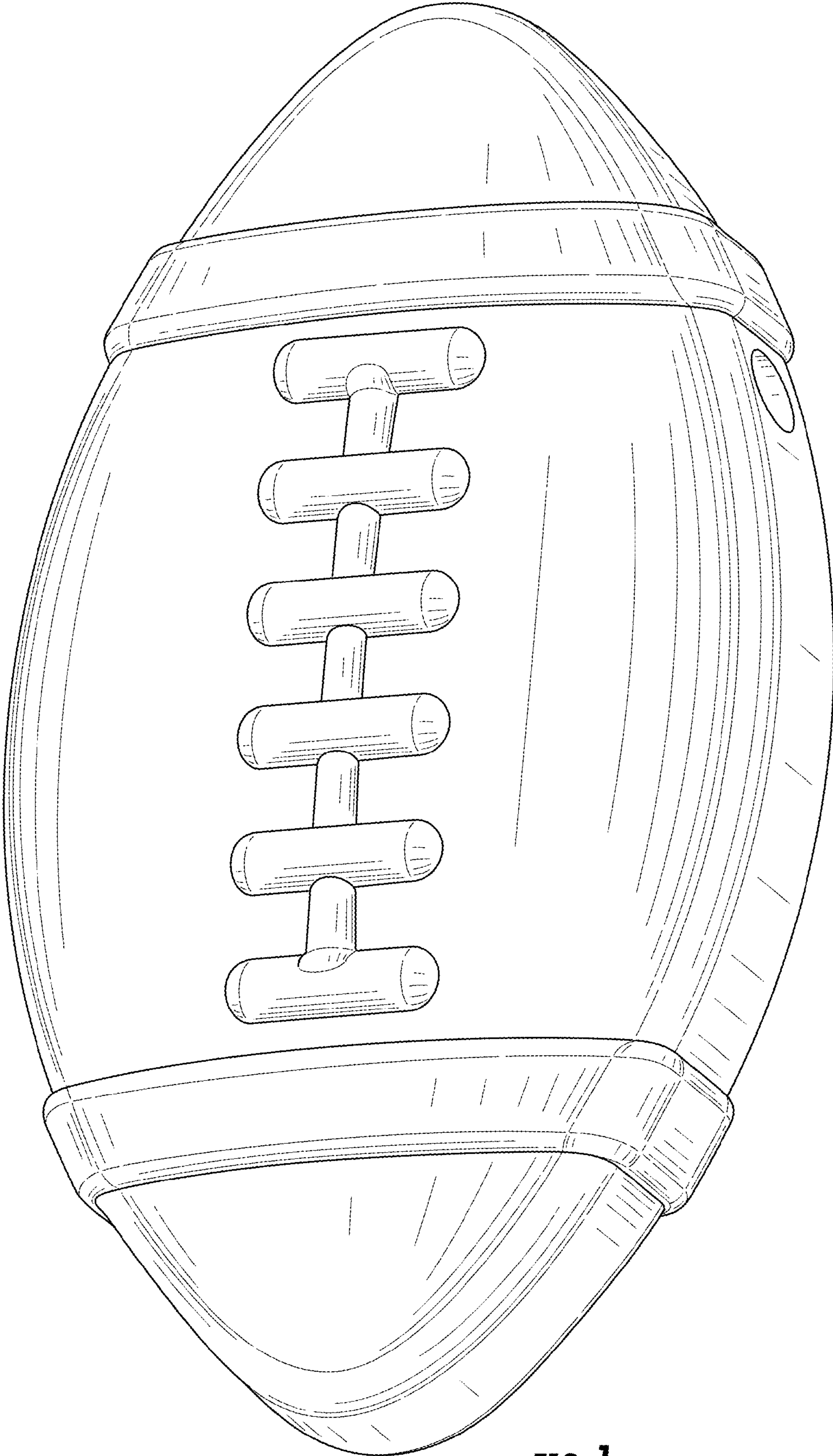


FIG. 1

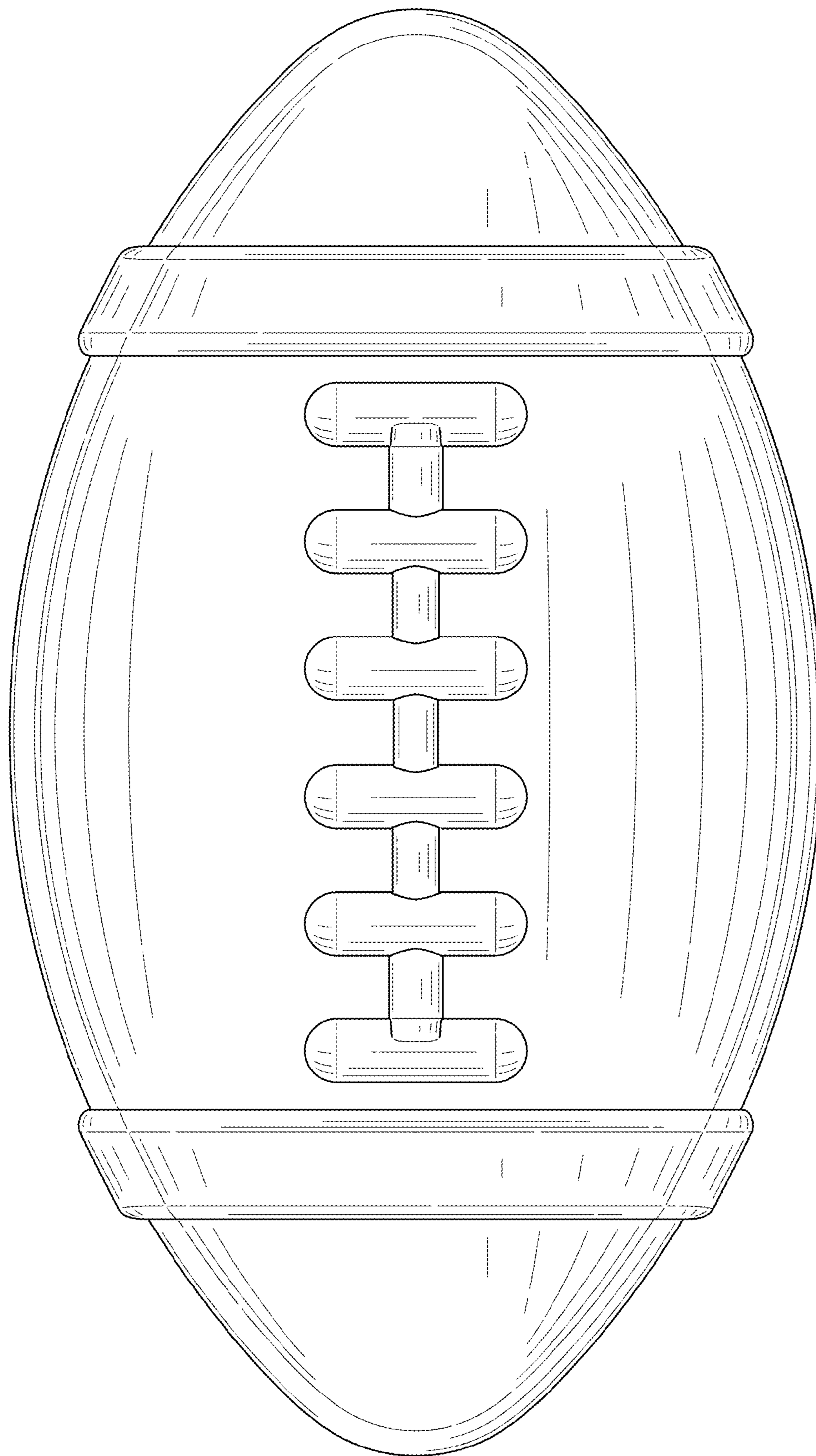


FIG. 2

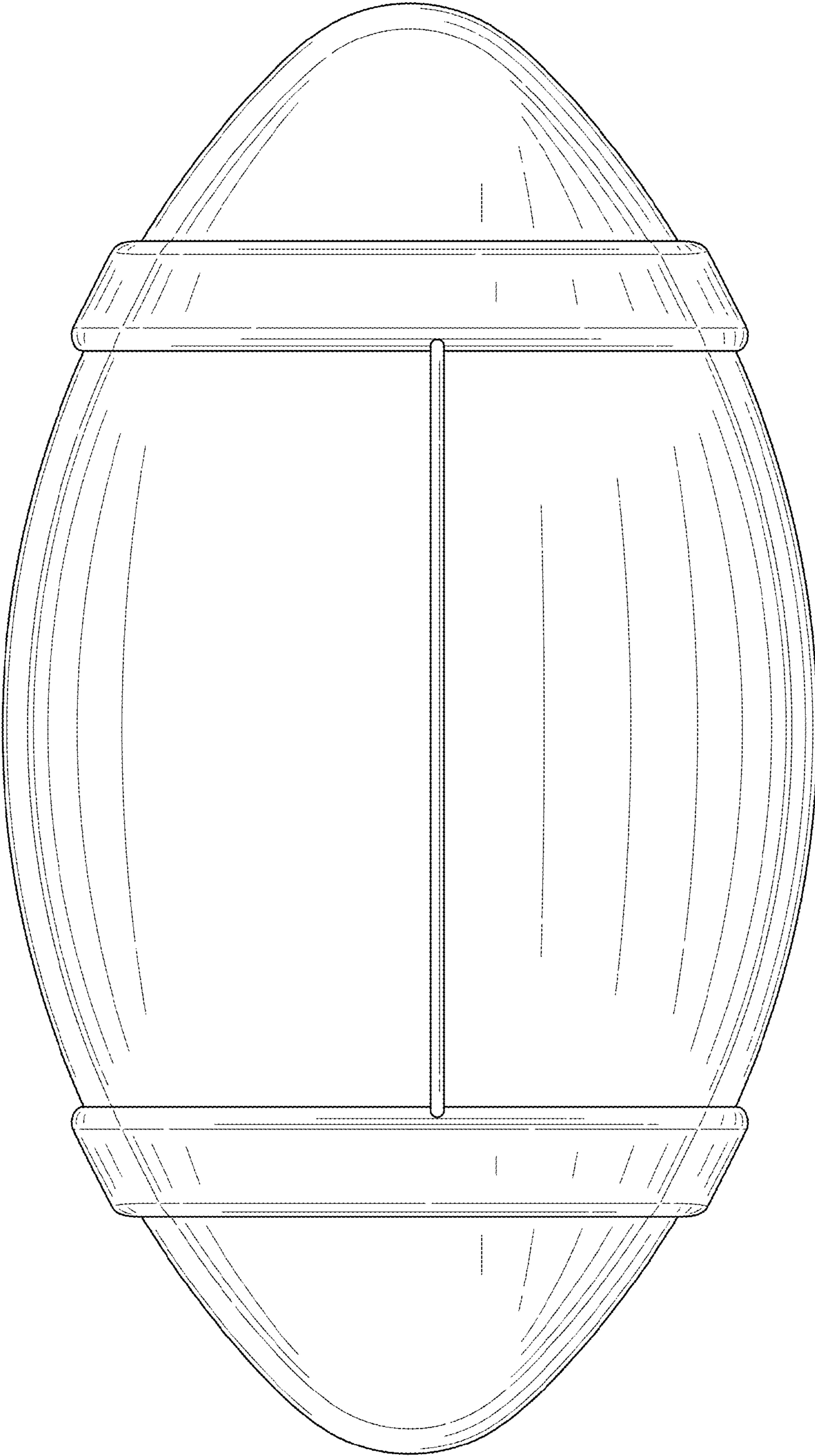


FIG. 3

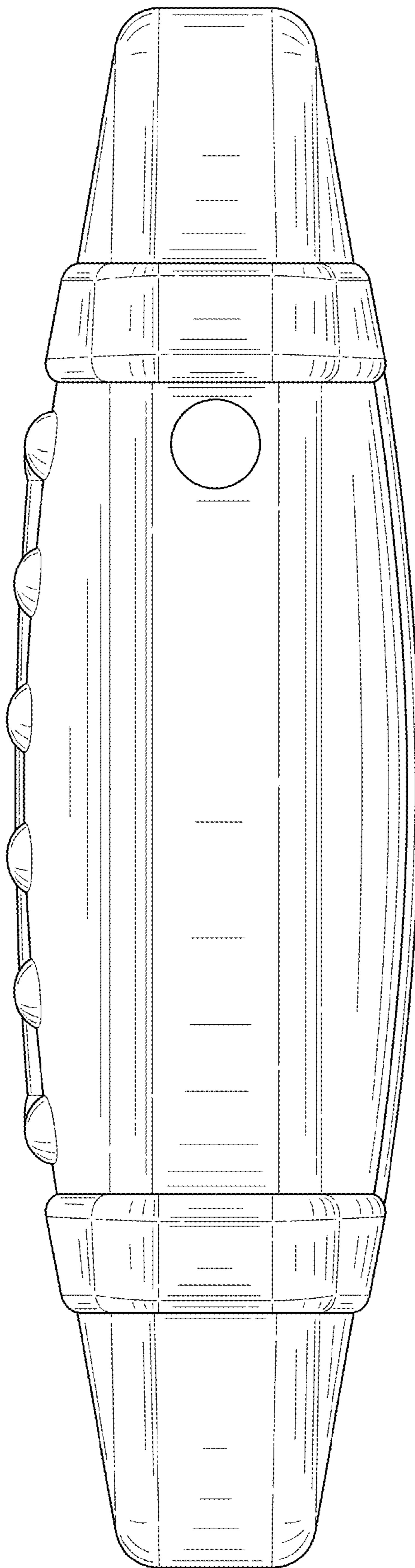


FIG. 4

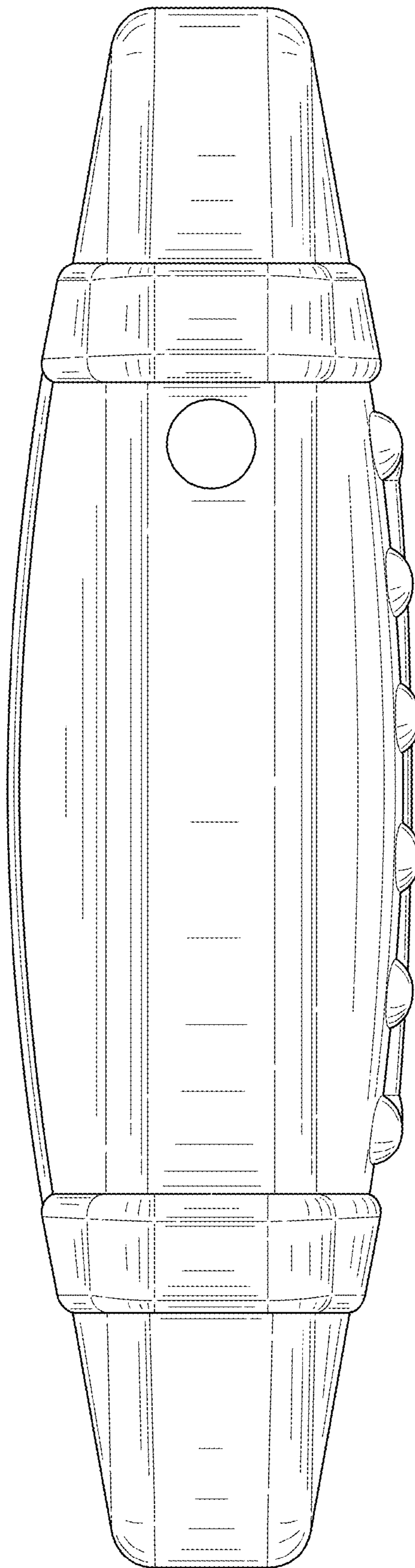


FIG. 5

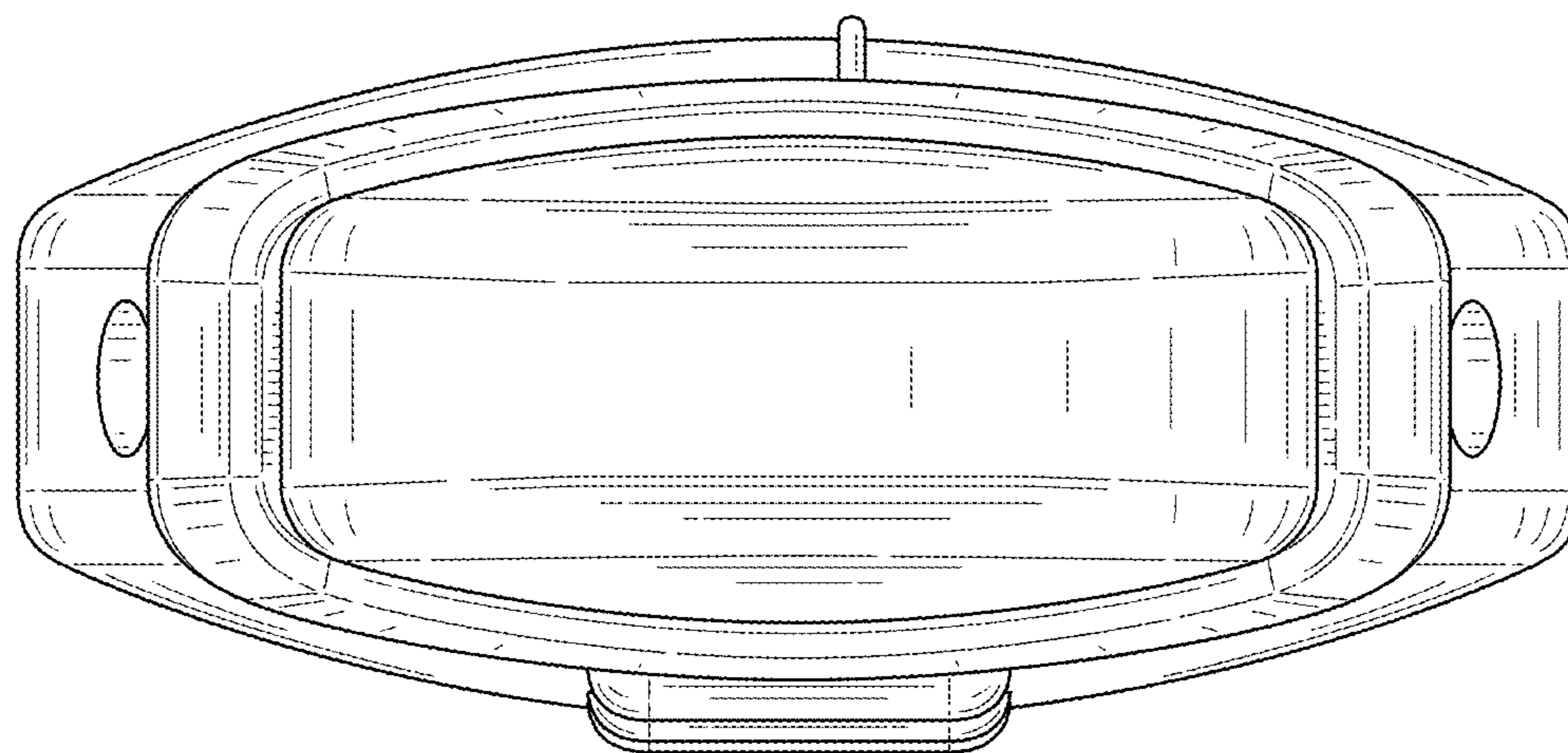


FIG. 6

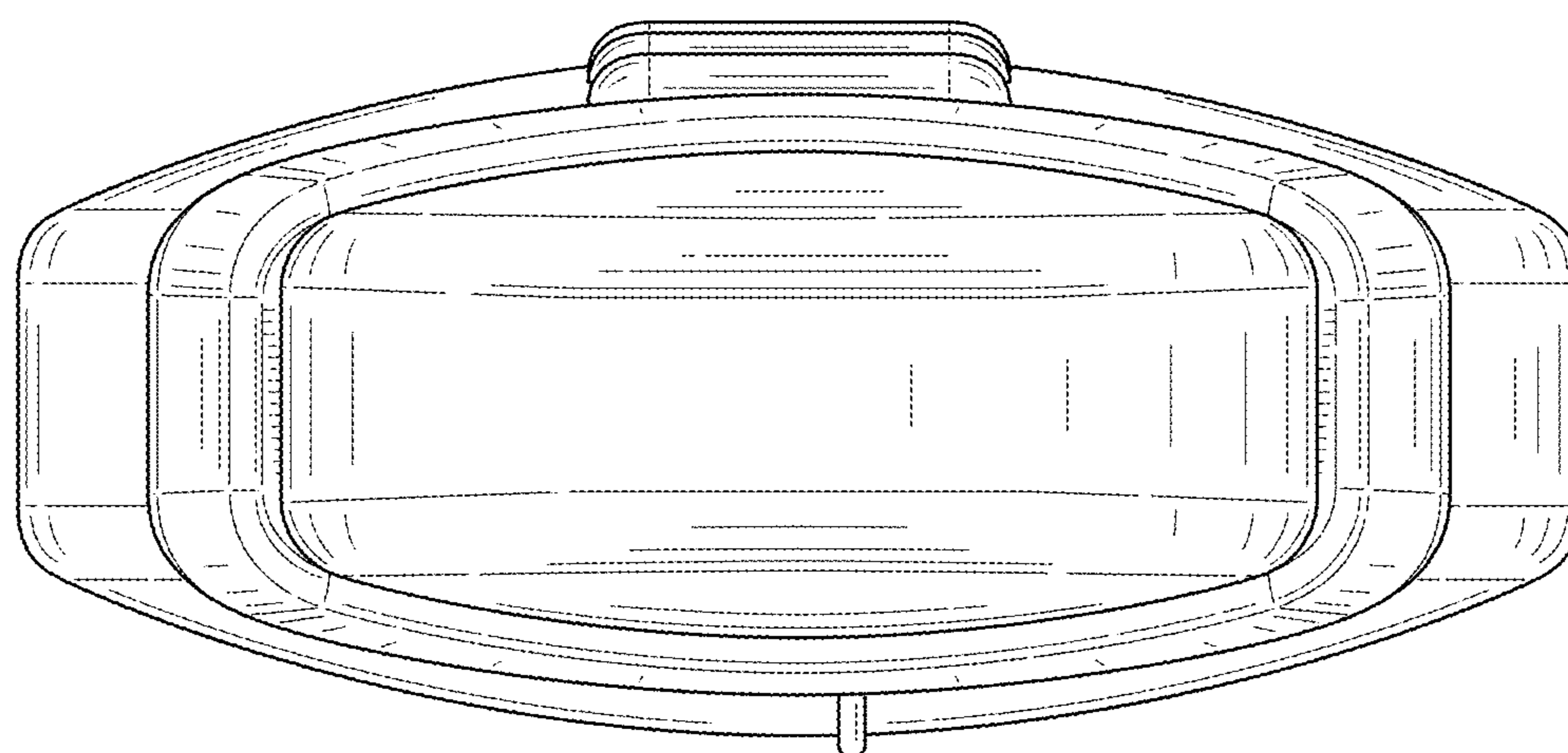


FIG. 7