



US00D932029S

(12) **United States Design Patent** (10) **Patent No.:** **US D932,029 S**
Xiao (45) **Date of Patent:** **** Sep. 28, 2021**

(54) **TEETHER**

(71) Applicant: **Dongguan Tingfeng Silicone Company, Guangdong (CN)**

(72) Inventor: **Wenting Xiao, Dongguan (CN)**

(**) Term: **15 Years**

(21) Appl. No.: **29/712,290**

(22) Filed: **Nov. 7, 2019**

(51) **LOC (13) Cl.** **24-04**

(52) **U.S. Cl.**
USPC **D24/195**

(58) **Field of Classification Search**
USPC D24/193, 194, 195, 208, 214; D30/160;
D1/106, 107, 110, 115, 125; D21/483,
D21/496, 532, 576, 603, 615, 622, 650
CPC A61J 17/02; A61J 17/111; A61J 2200/44
See application file for complete search history.

(56) **References Cited**

U.S. PATENT DOCUMENTS

D522,658 S *	6/2006	Schiavoni	D24/194
D674,494 S *	1/2013	Roehrig	D24/194
D687,954 S *	8/2013	Dallman	D24/194
D708,818 S *	7/2014	Axelrod	D30/160
D721,439 S *	1/2015	Swartz	D24/194
D724,235 S *	3/2015	Kuneyl	D24/194
D844,909 S *	4/2019	Crane	D30/160
D872,807 S *	1/2020	Lowsky	D21/455
2003/0236556 A1 *	12/2003	Dickerson	A61J 17/02 606/235
2006/0102099 A1 *	5/2006	Edwards	A01K 15/026 119/710
2009/0287247 A1 *	11/2009	Chipperson	A61J 11/00 606/235
2012/0290007 A1 *	11/2012	Rohrig	A61J 17/02 606/235
2014/0243895 A1 *	8/2014	Kellogg	A63H 33/006 606/235

OTHER PUBLICATIONS

“Pauzle: Cross Chew Pendant Necklace”. Found online May 11, 2021 at amazon.co.uk. Reference dated Jul. 18, 2020. Retrieved from https://www.amazon.co.uk/Chewlery-Silicone-Sensory-Necklace-Teething/dp/B08D7KYVDG/ref=sr_1_18?*
“Happy Baby Sweet Beads: Cross Teether”. Found online May 11, 2021 at etsy.com. Reference dated Dec. 14, 2018. Retrieved from <https://www.etsy.com/listing/596240655/cross-teether-silicone-teething-pendant?>*
“ARK: Chews Mix”. Found online Jul. 11, 2019 at instagram.com. Reference dated Apr. 2, 2018. Retrieved from <https://www.instagram.com/p/BhE3J49A2S/>*
“Canay: Sensory Chew Stick- X”. Found online May 11, 2021 at amazon.com. Reference dated Jul. 6, 2020. Retrieved from https://www.amazon.com/Sensory-Chew-Stick-Toys-Girls/dp/B089VVJGRR/ref=cm_cr_arp_d_product_top?ie=UTF8.*

* cited by examiner

Primary Examiner — Kendra Leslie Hamilton

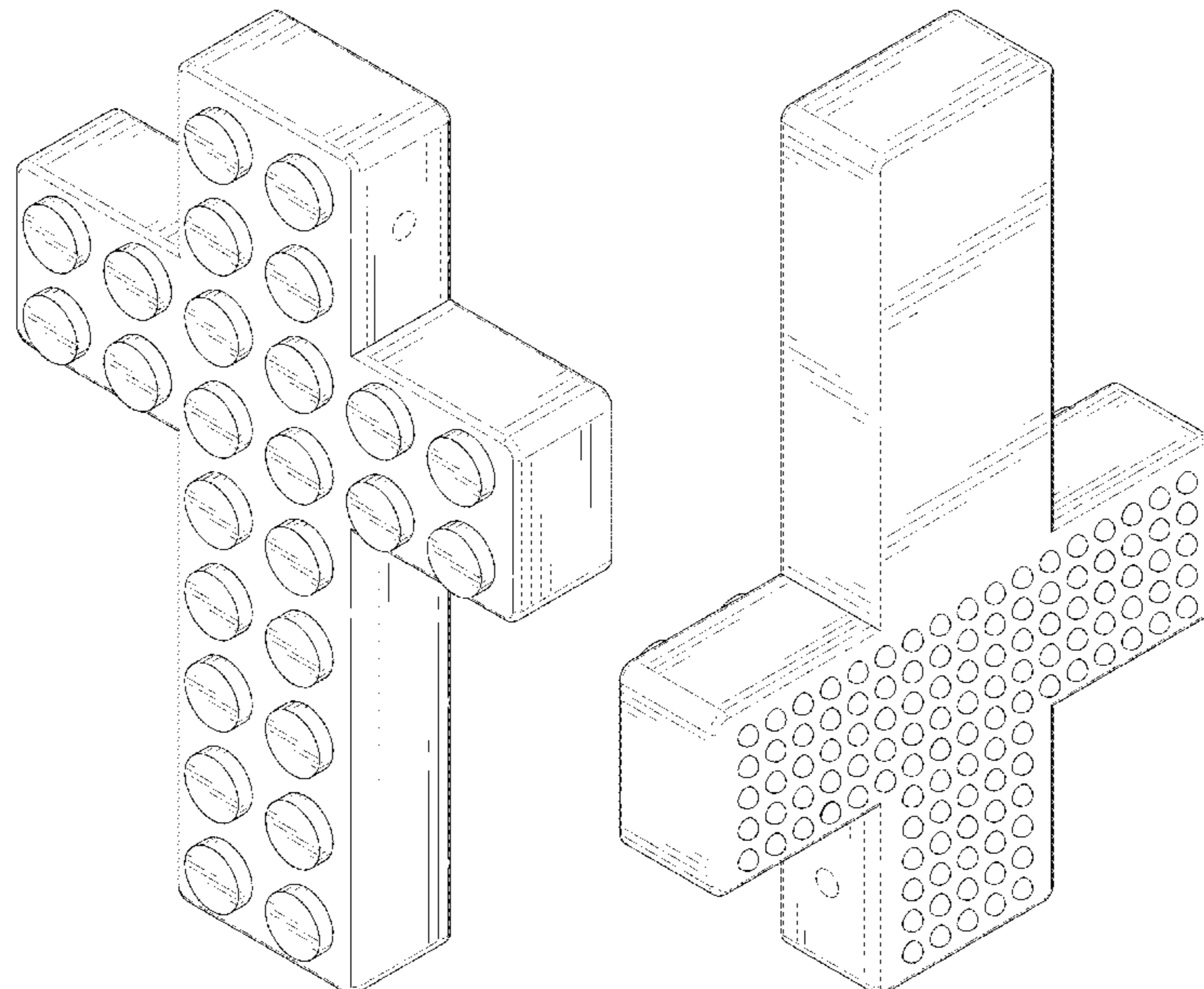
(57) **CLAIM**

The ornamental design for a teether, as shown and described.

DESCRIPTION

FIG. 1 is a front and top perspective view of a teether, showing my, new design;
FIG. 2 is a rear and bottom perspective view thereof;
FIG. 3 is a front elevational view thereof;
FIG. 4 is a rear elevational view thereof;
FIG. 5 is a left side elevational view thereof;
FIG. 6 is a right side elevational view thereof;
FIG. 7 is a top plan view thereof; and,
FIG. 8 is a bottom plan view thereof.
The broken lines in the figures illustrate portions of the teether that form no part of the claimed design.

1 Claim, 8 Drawing Sheets



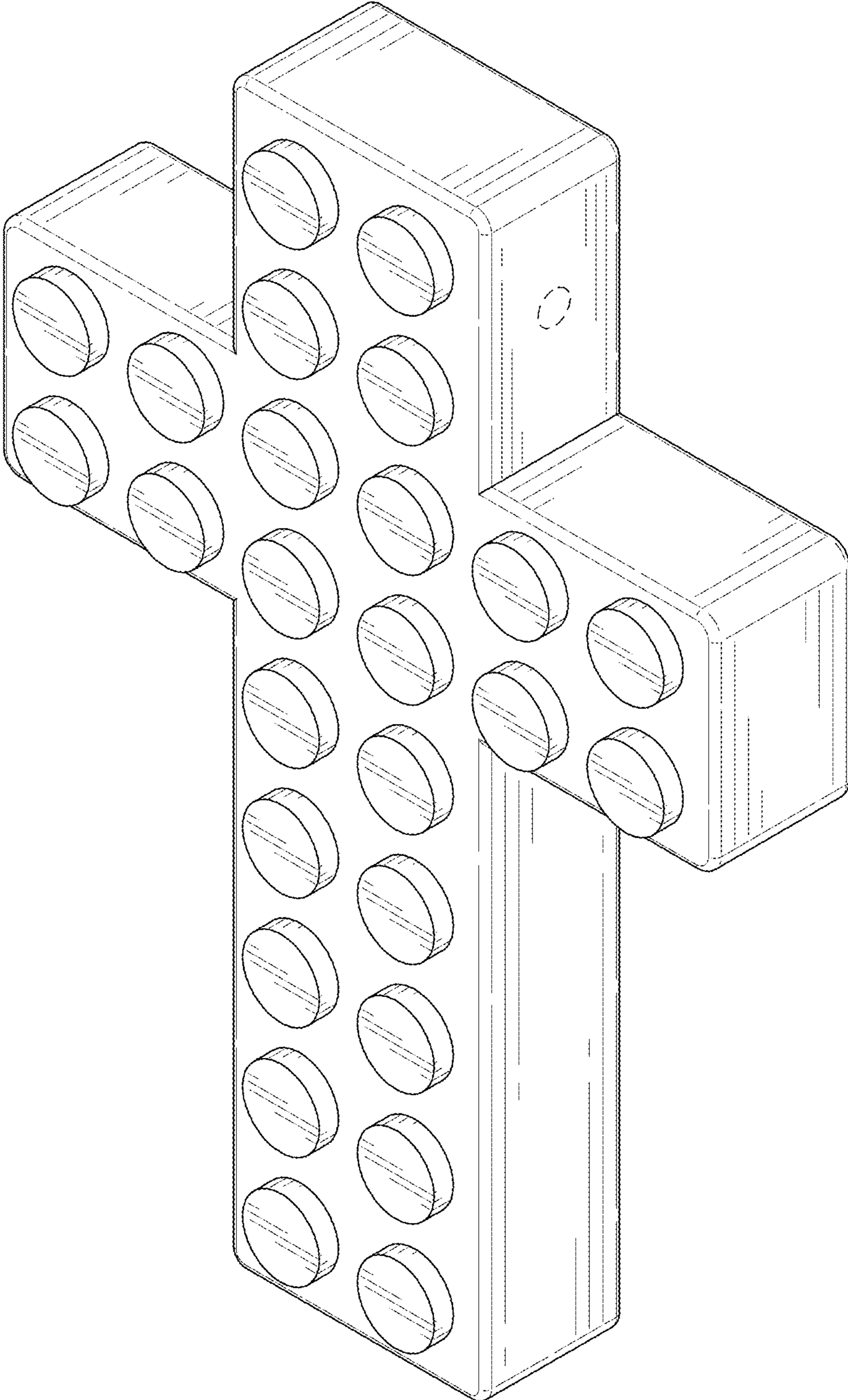


FIG. 1

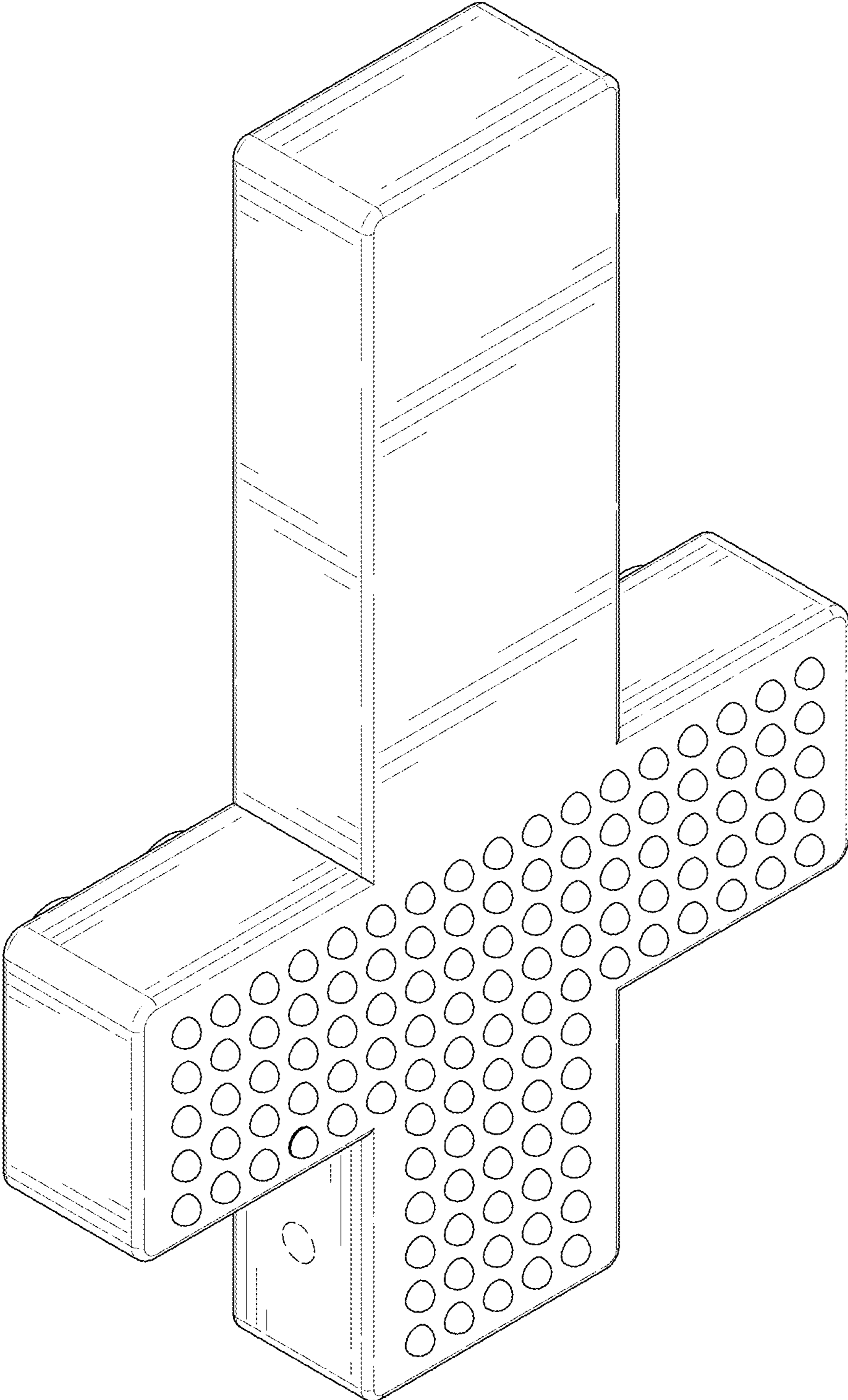


FIG. 2

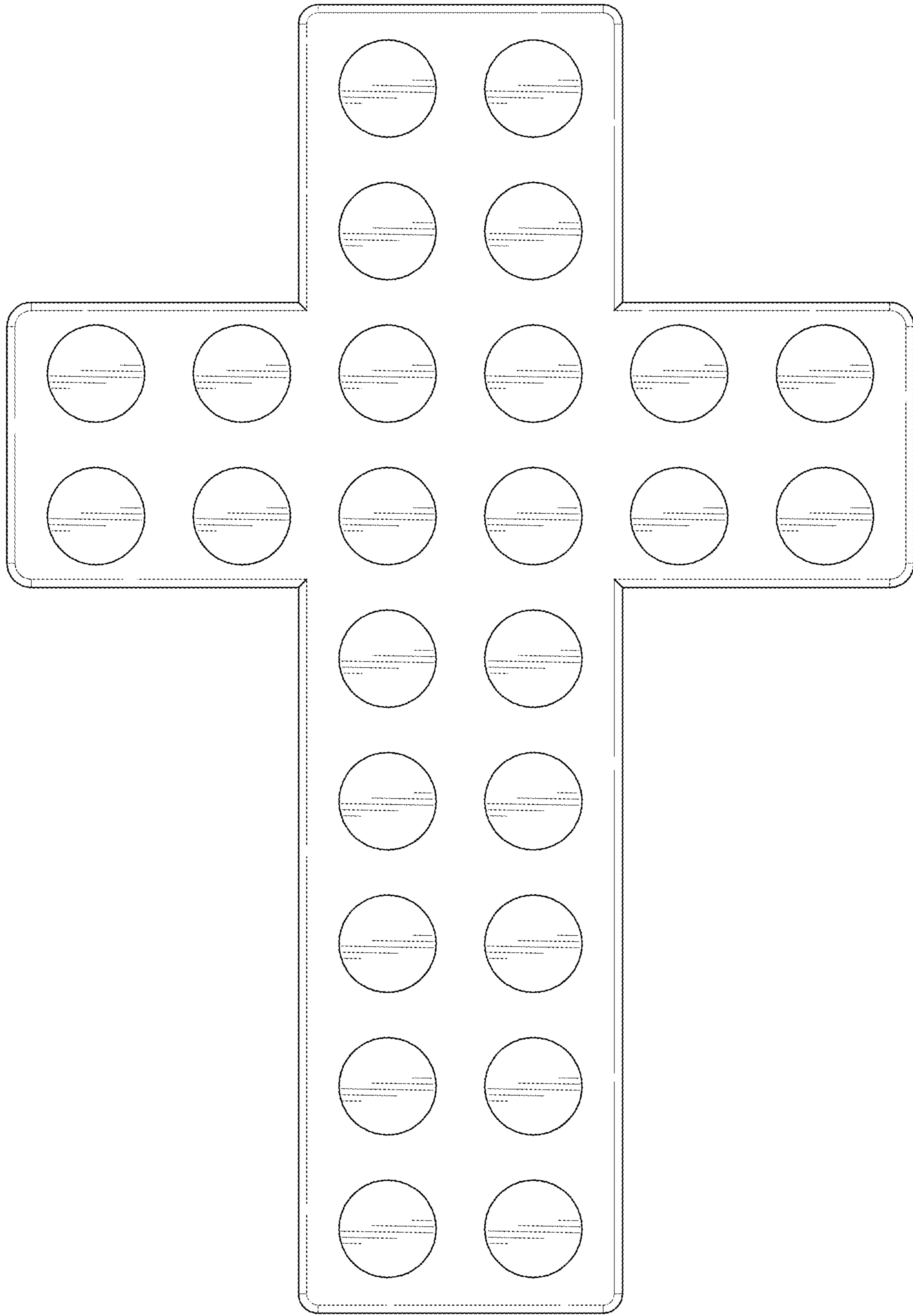


FIG. 3

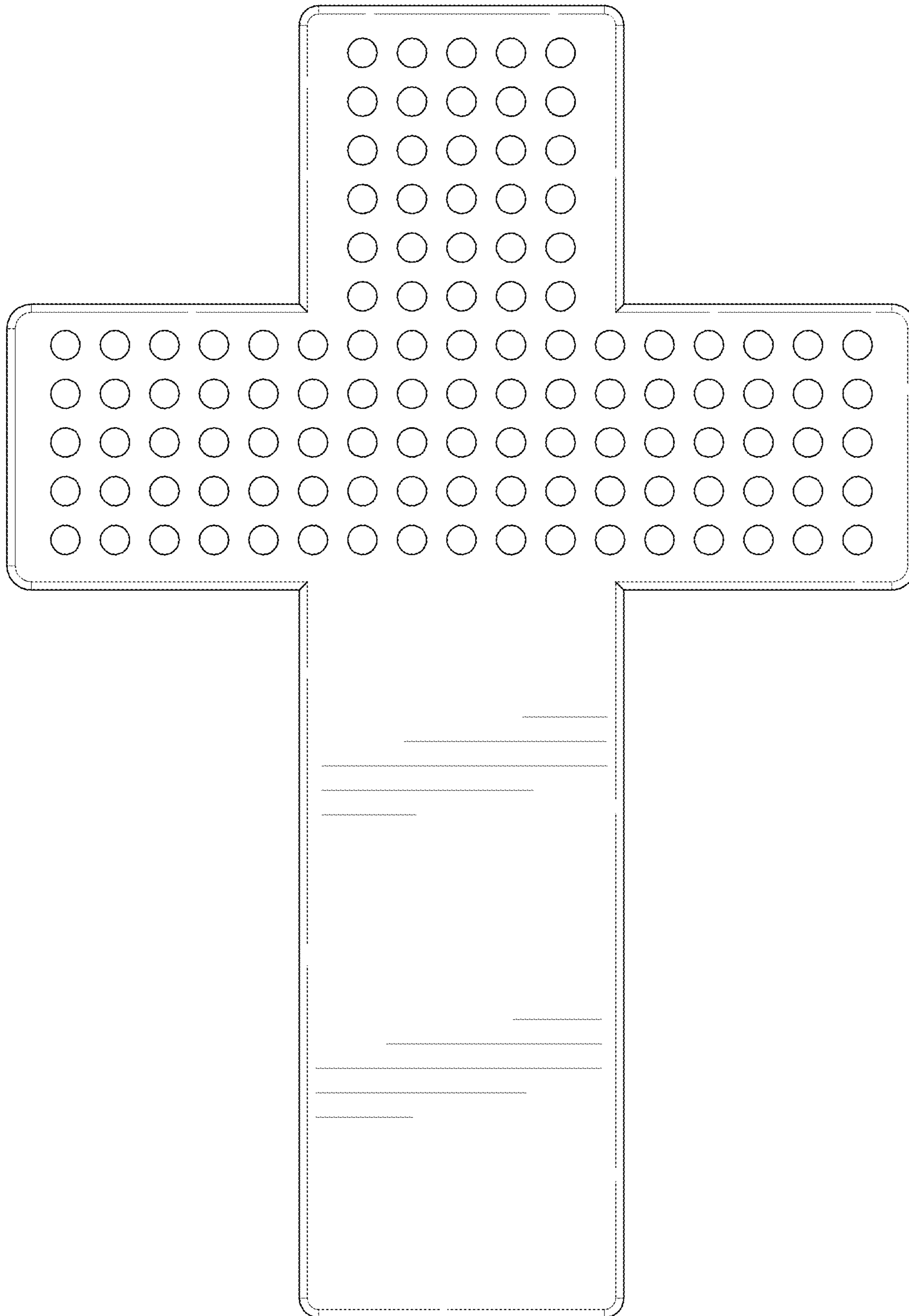


FIG. 4

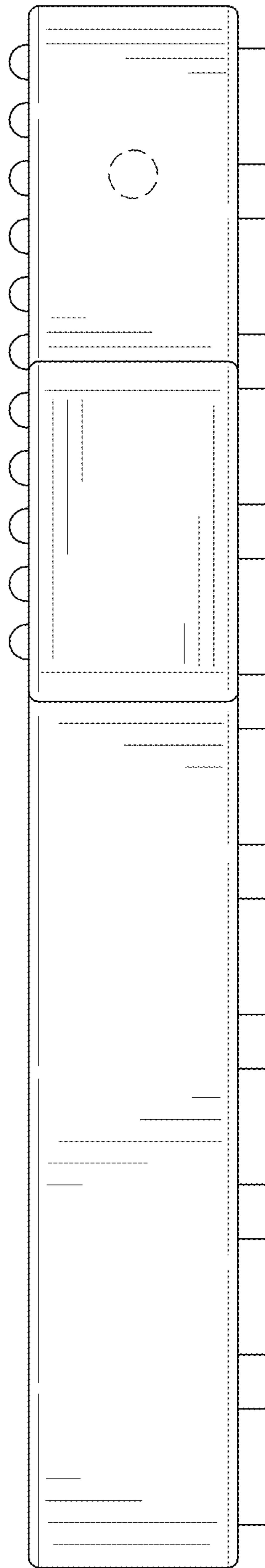


FIG. 5

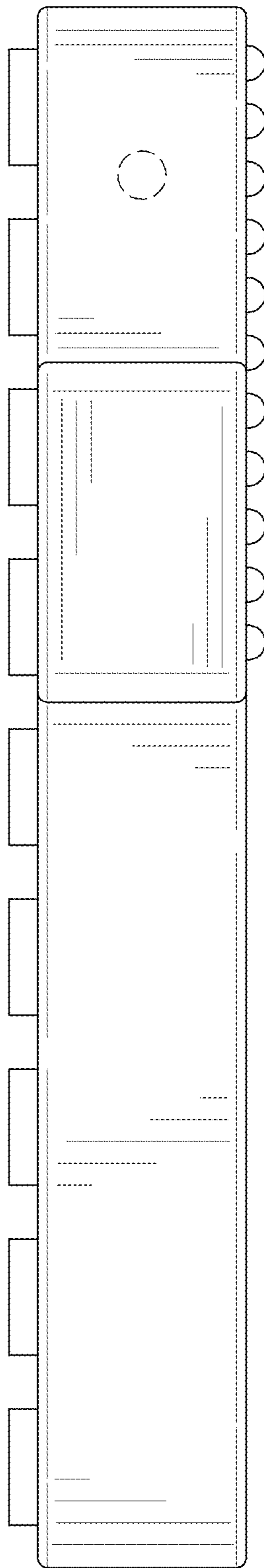


FIG. 6

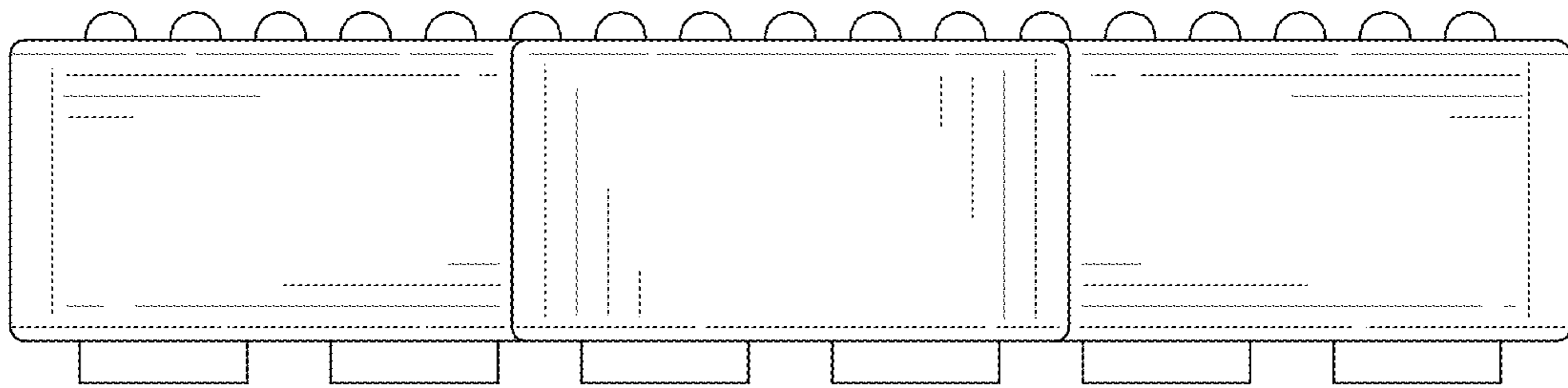


FIG. 7

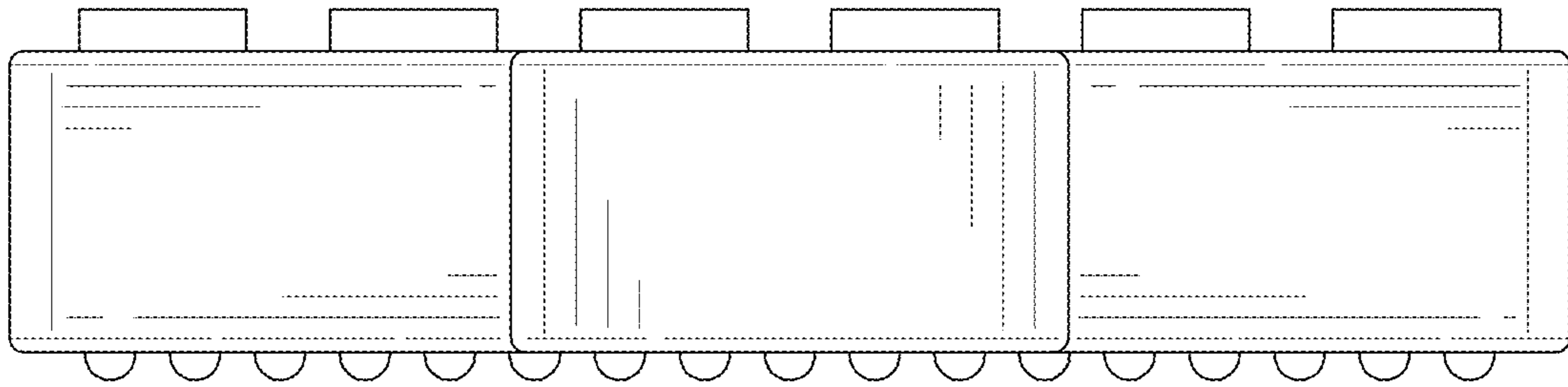


FIG. 8