



US00D932026S

(12) **United States Design Patent**  
**Cha**

(10) **Patent No.:** **US D932,026 S**

(45) **Date of Patent:** **\*\* Sep. 28, 2021**

(54) **ELECTRODE FOR BODY WATER MEASURER**

(71) Applicant: **InBody Co., Ltd.**, Seoul (KR)

(72) Inventor: **Ki Chul Cha**, Seoul (KR)

(73) Assignee: **INBODY CO., LTD.**, Seoul (KR)

(\*\*) Term: **15 Years**

(21) Appl. No.: **29/707,636**

(22) Filed: **Sep. 30, 2019**

(30) **Foreign Application Priority Data**

Apr. 2, 2019 (KR) ..... 30-2019-0015443

(51) **LOC (13) Cl.** ..... **24-02**

(52) **U.S. Cl.**  
USPC ..... **D24/187**

(58) **Field of Classification Search**  
USPC ..... D24/107, 168, 186, 187, 189, 200;  
D30/160; D28/39, 40; D11/1-5;  
D16/242

CPC ..... A61B 5/0002; A61B 5/042; A61B 5/0404;  
A61B 5/0416; A61N 1/046; A61N  
1/0472; A61N 1/0476; A61N 1/110492  
See application file for complete search history.

(56) **References Cited**

**U.S. PATENT DOCUMENTS**

D423,673 S \* 4/2000 Bassøe ..... D24/187  
D423,674 S \* 4/2000 Bassøe ..... D24/187  
D739,519 S \* 9/2015 Davi ..... D24/106  
D752,235 S \* 3/2016 Levi ..... D24/200

D775,421 S \* 12/2016 Tsai ..... D28/42  
D829,990 S \* 10/2018 Hsu ..... D28/40  
D835,791 S \* 12/2018 Chen ..... D24/187  
D871,597 S \* 12/2019 Blake ..... D24/200  
2008/0156342 A1\* 7/2008 Chininis ..... A45D 8/20  
132/277  
2009/0272398 A1\* 11/2009 Chudzik ..... A45D 8/20  
132/277

\* cited by examiner

*Primary Examiner* — Janice Hallmark

*Assistant Examiner* — Omeed Agilee

(74) *Attorney, Agent, or Firm* — Dorsey & Whitney LLP

(57) **CLAIM**

I claim the ornamental design for an electrode for body water measurer, as shown.

**DESCRIPTION**

FIG. 1 is a perspective view of an electrode for body water measurer according to the present design.

FIG. 2 is a front elevation view of the electrode for body water measurer of FIG. 1.

FIG. 3 is a rear elevation view of the electrode for body water measurer of FIG. 1.

FIG. 4 is a left side elevation view of the electrode for body water measurer of FIG. 1.

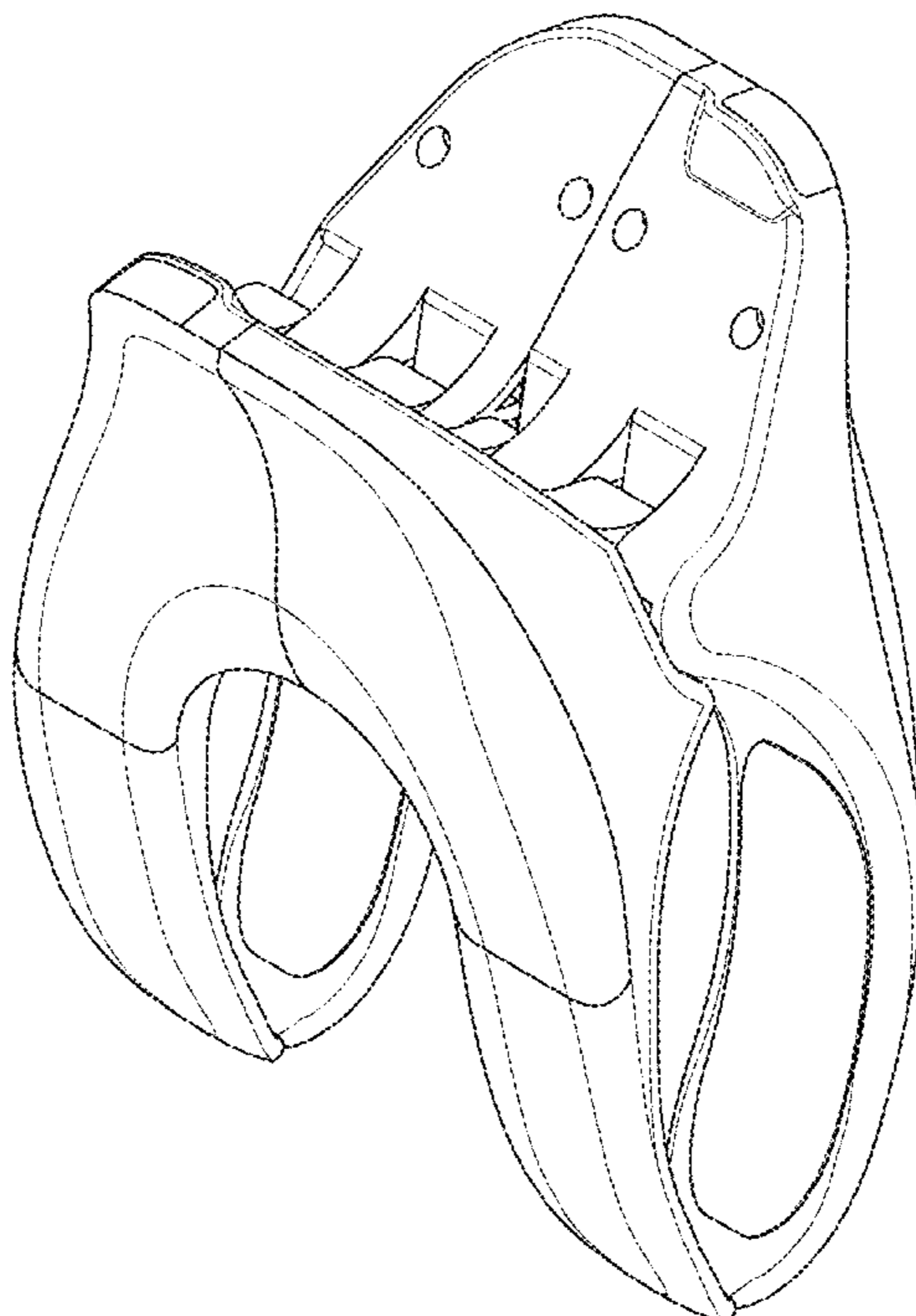
FIG. 5 is a right side elevation view of the electrode for body water measurer of FIG. 1.

FIG. 6 is a top plan view of the electrode for body water measurer of FIG. 1; and,

FIG. 7 is a bottom plan view of the electrode for body water measurer of FIG. 1.

The broken lines depict portions of the electrode for body water measurer that form no part of the claimed design.

**1 Claim, 7 Drawing Sheets**



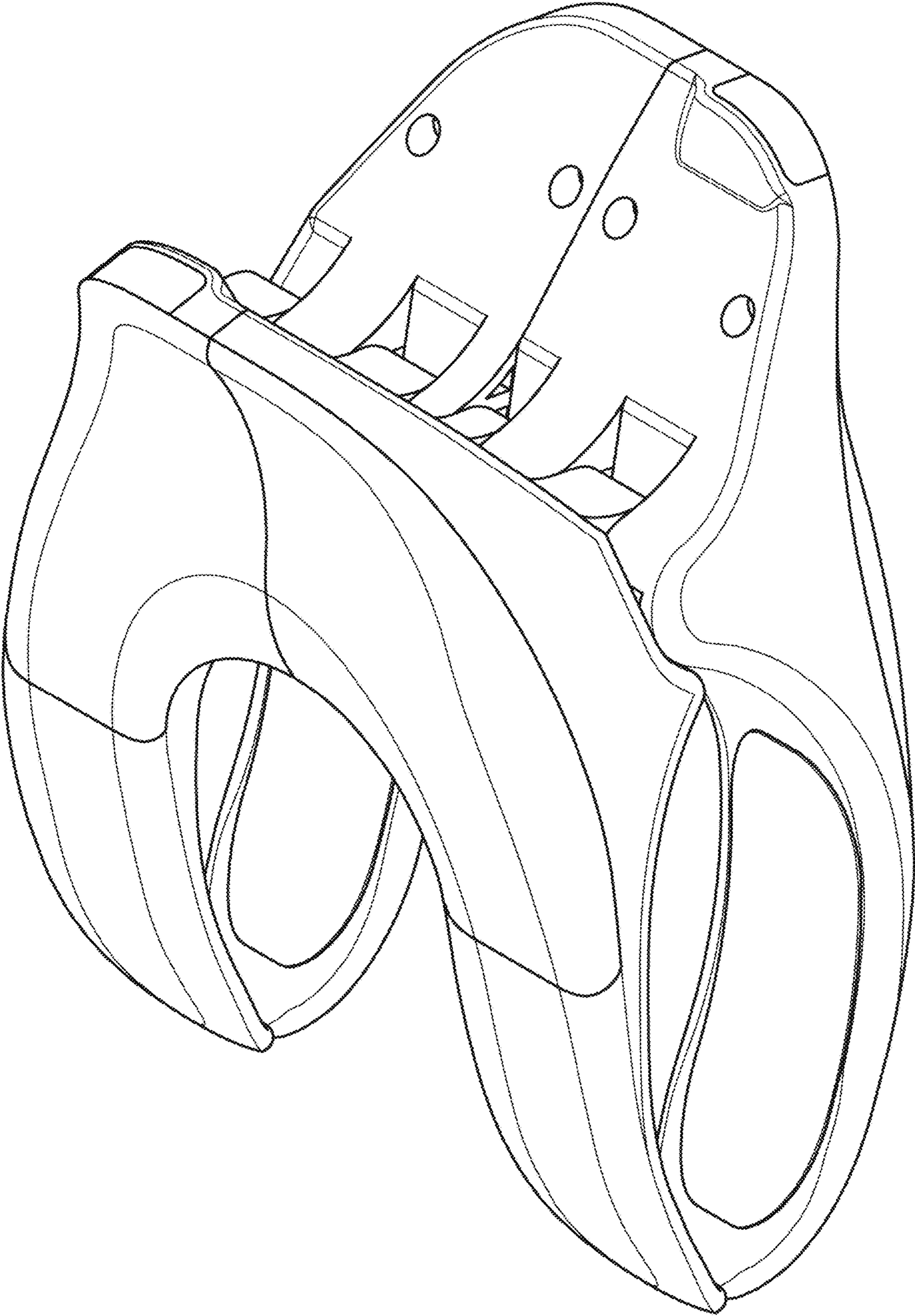


FIG. 1

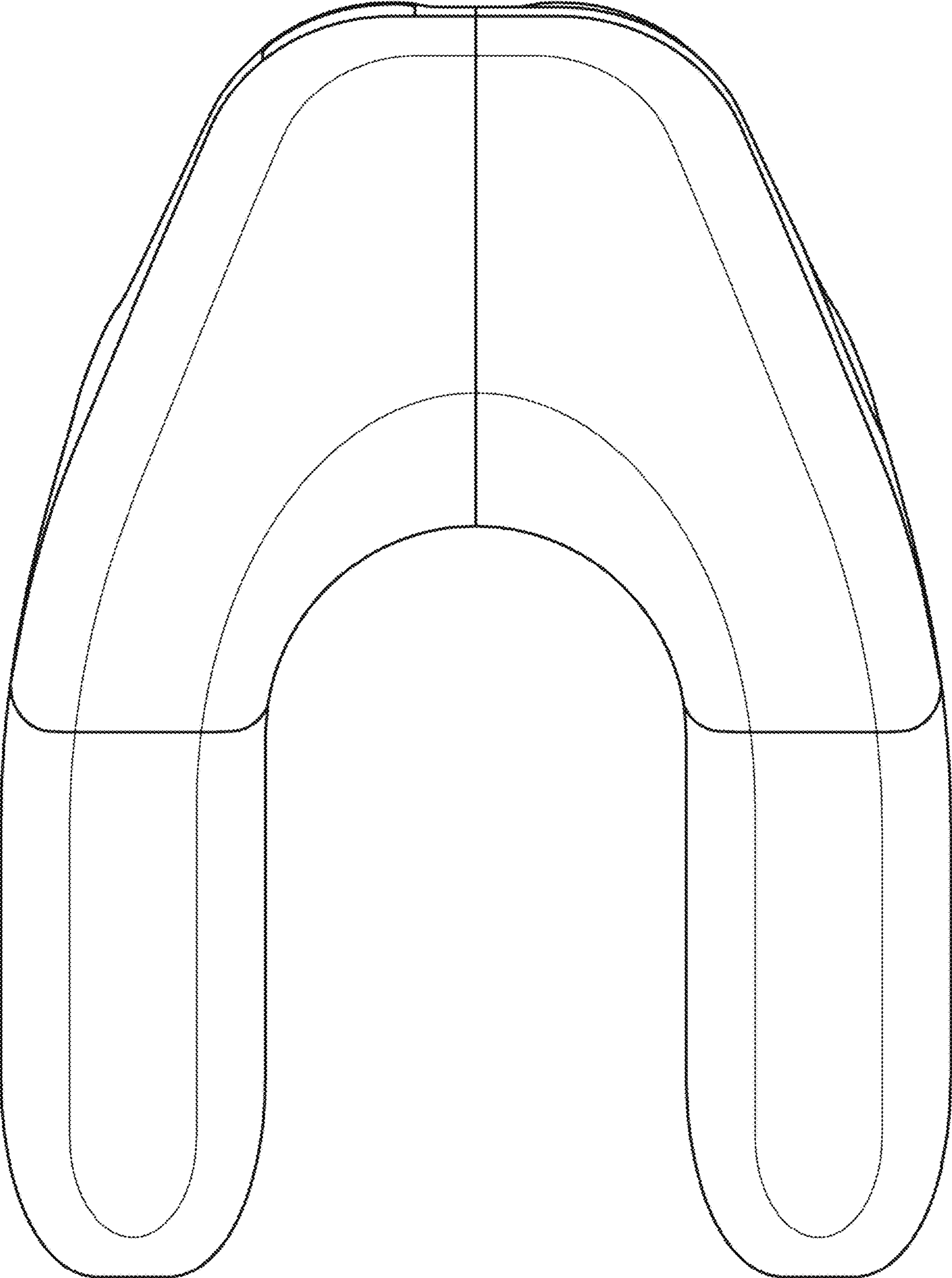


FIG. 2

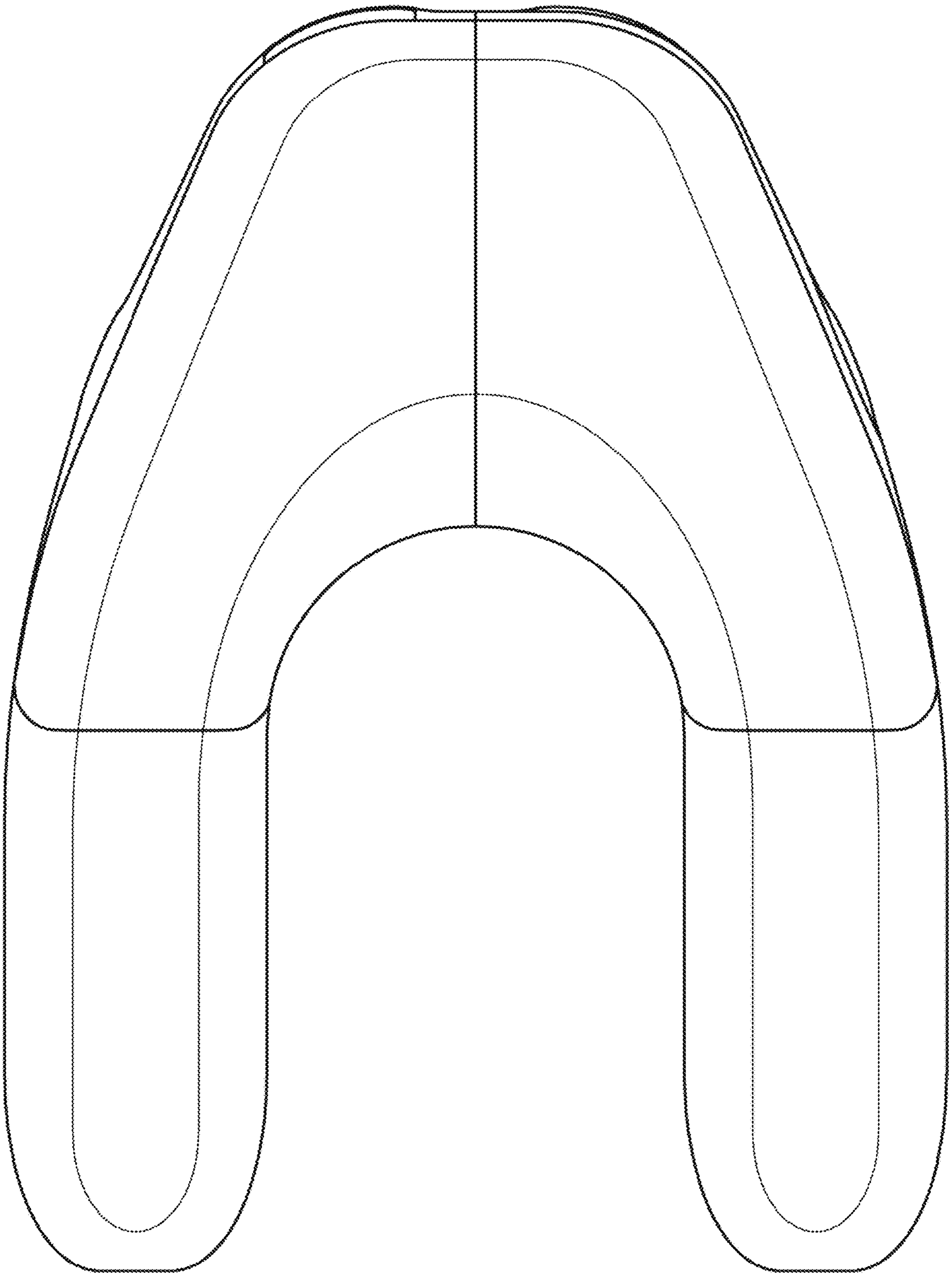


FIG. 3

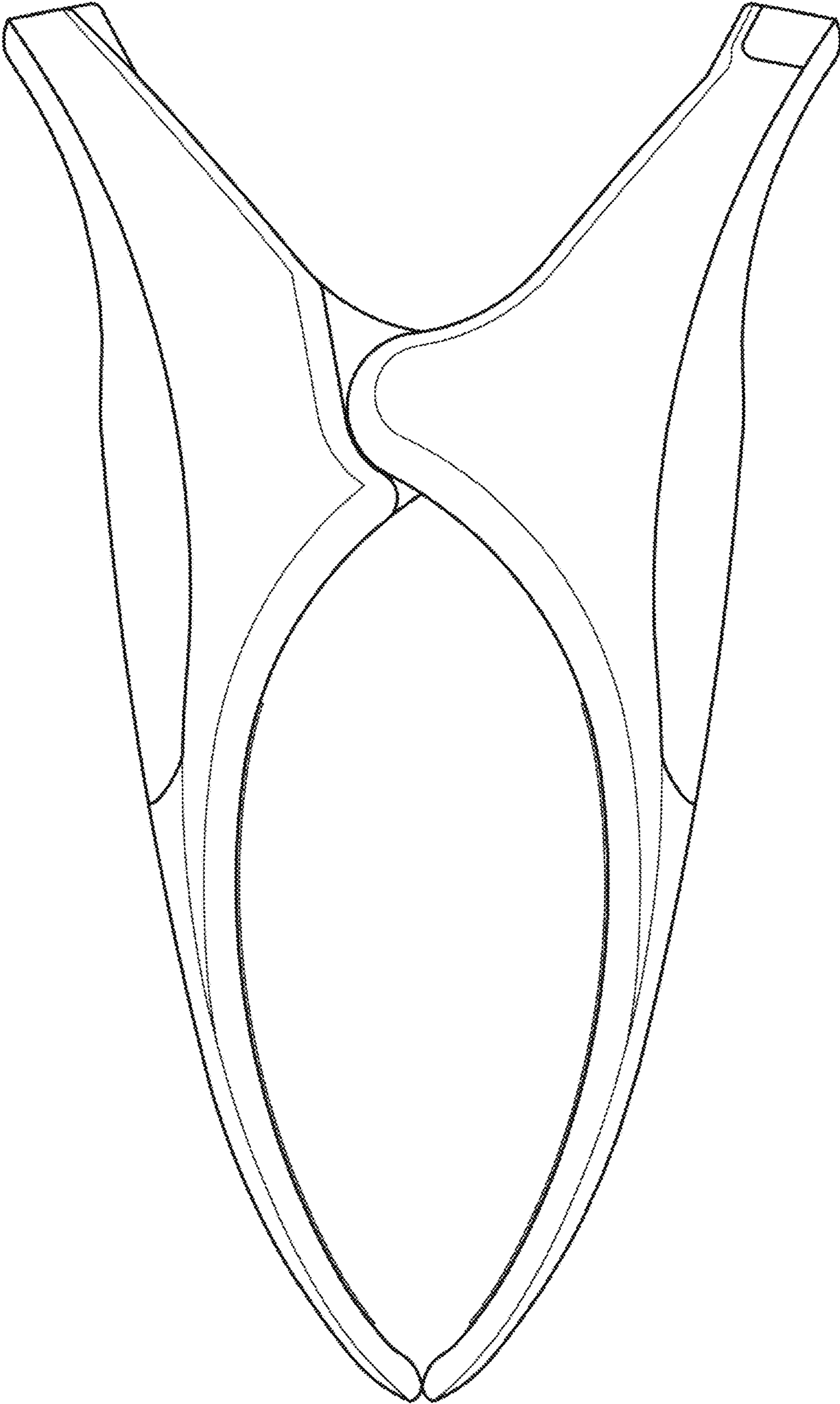


FIG. 4

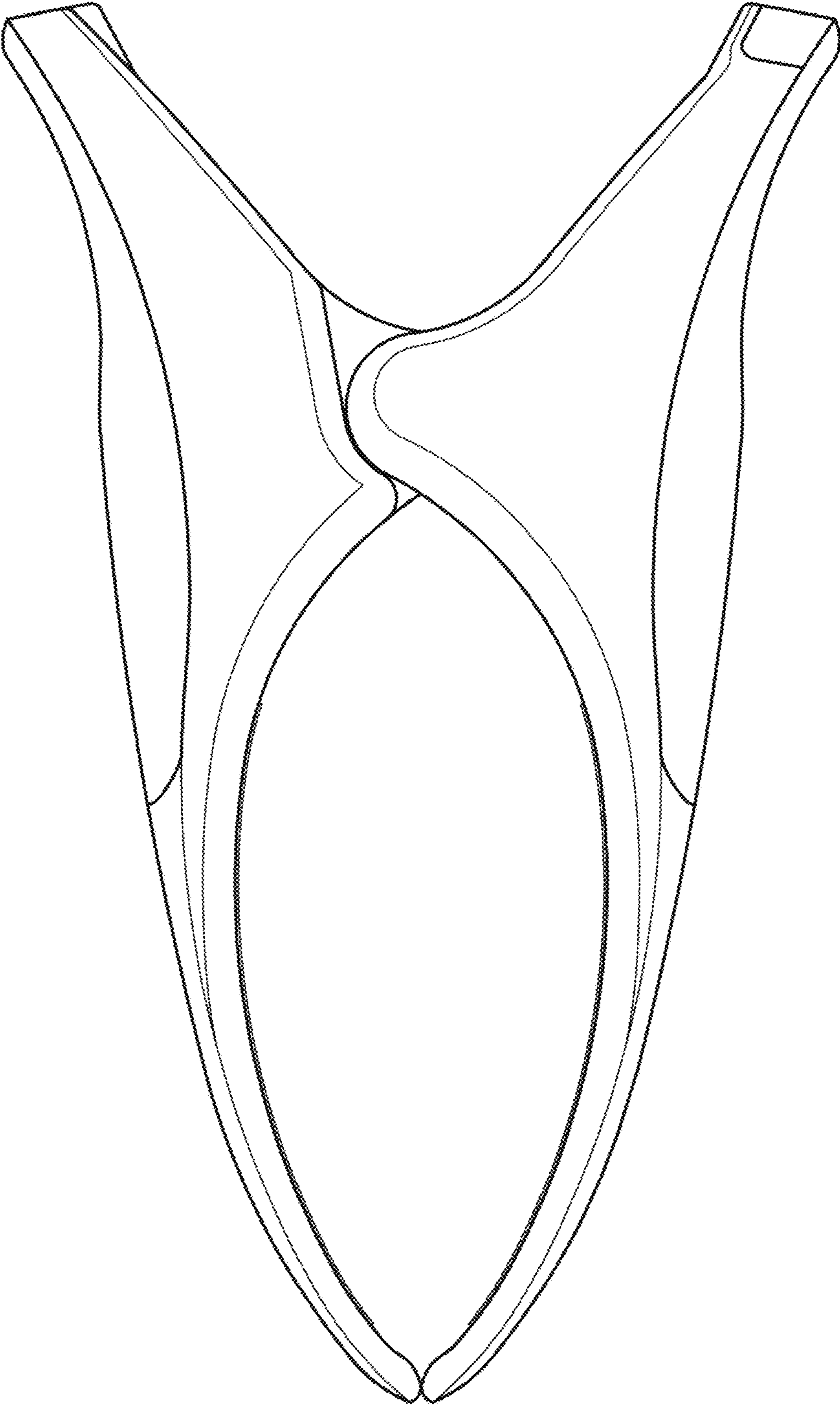


FIG. 5

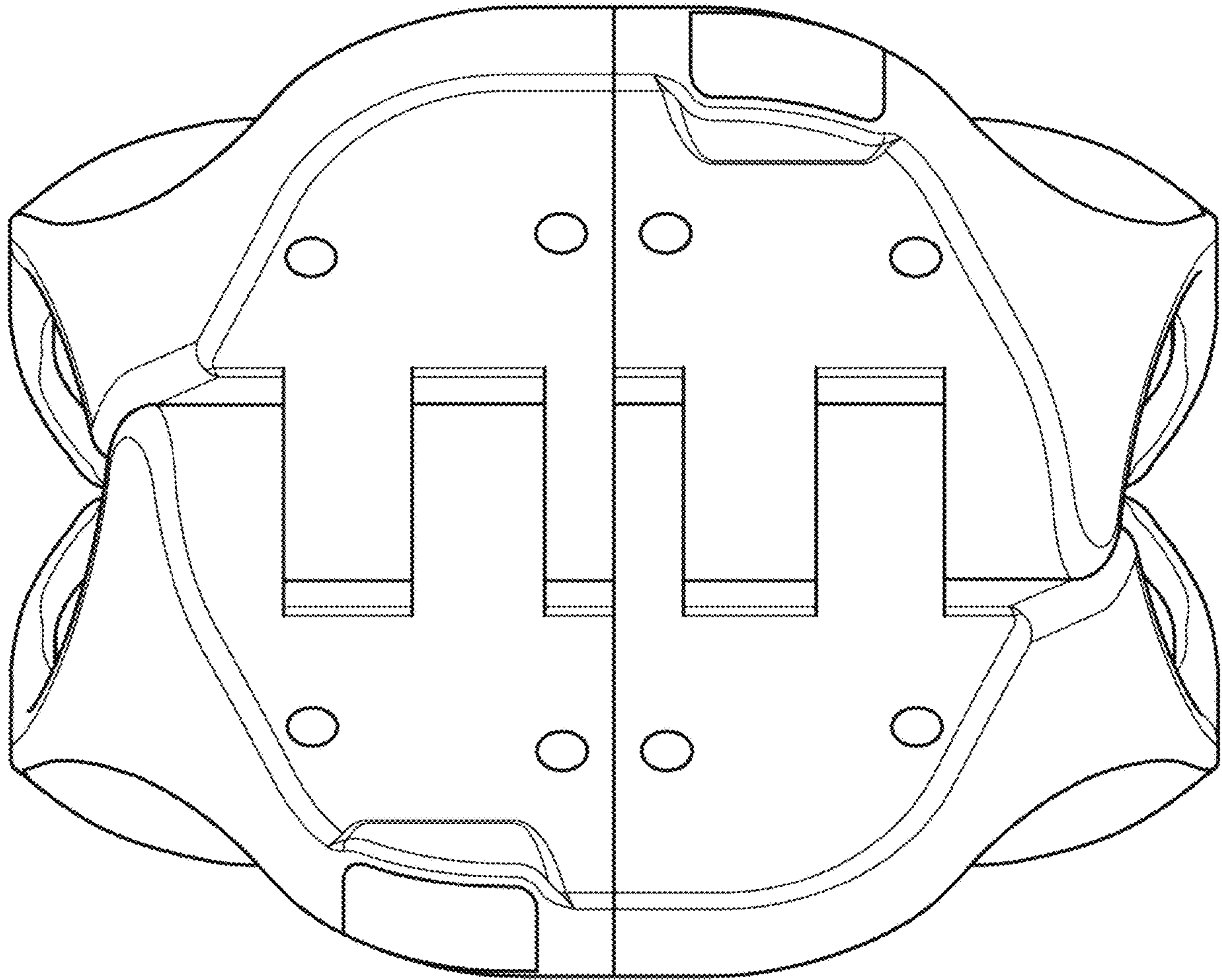


FIG. 6

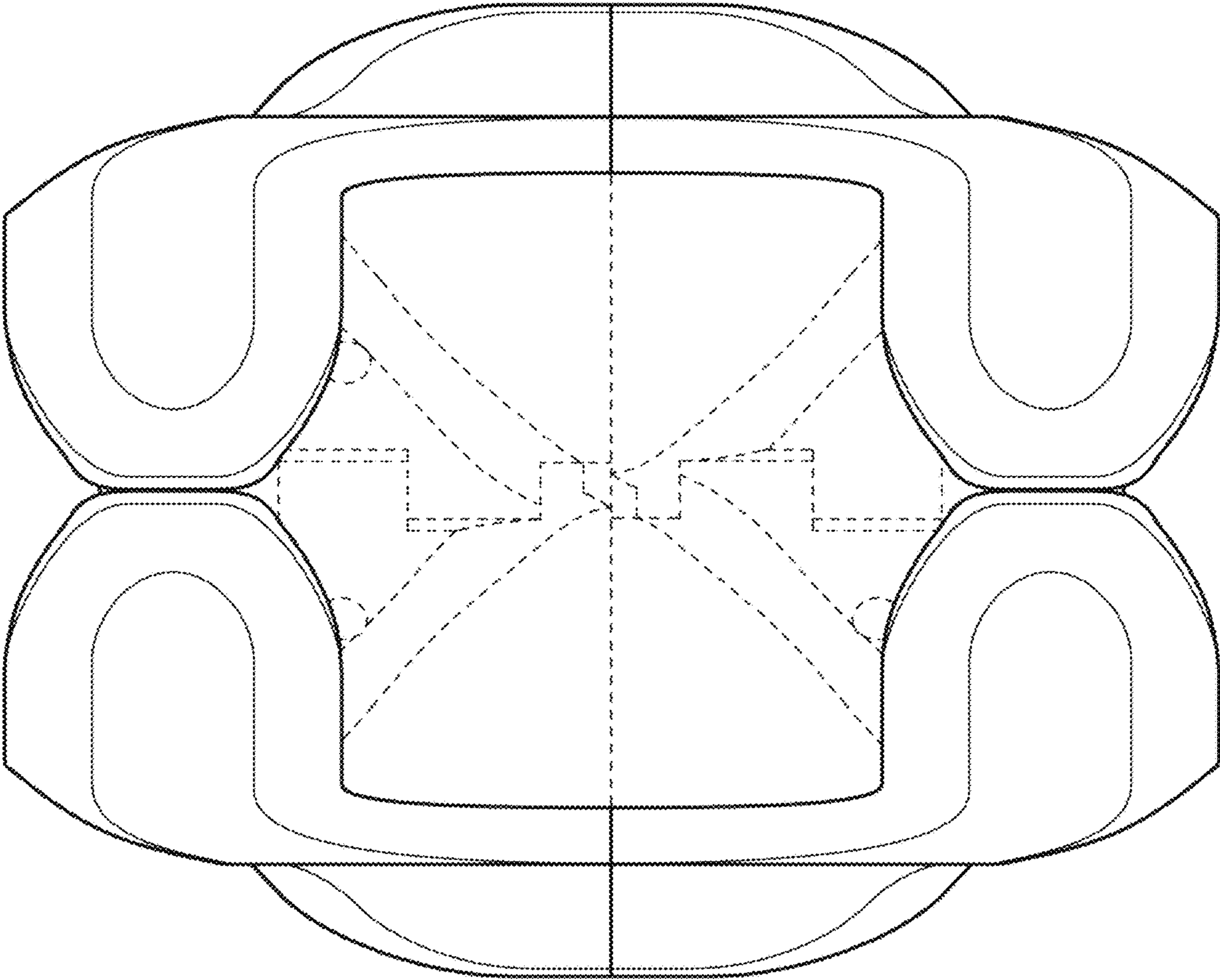


FIG. 7