



US00D932024S

(12) **United States Design Patent**
Peng et al.

(10) **Patent No.:** **US D932,024 S**
(45) **Date of Patent:** **** Sep. 28, 2021**

(54) **SURGICAL ROBOT**

(71) Applicant: **TINAVI MEDICAL TECHNOLOGIES CO., LTD.**, Beijing (CN)

(72) Inventors: **Cong Peng**, Beijing (CN); **Jincai Xu**, Beijing (CN); **Zhenta Wang**, Beijing (CN)

(73) Assignee: **TINAVI MEDICAL TECHNOLOGIES CO., LTD.**, Beijing (CN)

(**) Term: **15 Years**

(21) Appl. No.: **29/696,107**

(22) Filed: **Jun. 25, 2019**

(30) **Foreign Application Priority Data**

Dec. 28, 2018 (CN) 201830767481.8

(51) **LOC (13) Cl.** **24-02**

(52) **U.S. Cl.**
USPC **D24/185**

(58) **Field of Classification Search**
USPC D3/203.1, 203.2, 203.3; D6/332, 641, D6/642, 643, 643.1, 644, 645, 646, 647,
(Continued)

(56) **References Cited**

U.S. PATENT DOCUMENTS

D837,380 S * 1/2019 Hulford A61B 46/10
D24/170
D843,427 S * 3/2019 Medal A61B 34/32
D15/199

(Continued)

OTHER PUBLICATIONS

Oasis Surgical, "Titan Medical Provides Corporate Update", first available Sep. 28, 2016. (<http://www.oasissurg.com/2016/09/28/titan-medical-provides-corporate-update/>) (Year: 2016).*

(Continued)

Primary Examiner — April Rivas
Assistant Examiner — Justin A Johnson

(74) *Attorney, Agent, or Firm* — Young Basile Hanlon & MacFarlane, P.C.

(57) **CLAIM**

The ornamental design for a surgical robot, as shown and described.

DESCRIPTION

FIG. 1 is a front view of the surgical robot showing our new design.

FIG. 2 is a rear view of the surgical robot of FIG. 1.

FIG. 3 is a left side view of the surgical robot of FIG. 1.

FIG. 4 is a right side view of the surgical robot of FIG. 1.

FIG. 5 is a top view of the surgical robot of FIG. 1.

FIG. 6 is a bottom view of the surgical robot of FIG. 1.

FIG. 7 is a top, rear, and left perspective view of the surgical robot of FIG. 1.

FIG. 8 is a top, front, and right perspective view of the surgical robot of FIG. 1.

FIG. 9 is a top, rear, and left perspective view of the surgical robot of FIG. 1, shown in a first use position of a collapsed state.

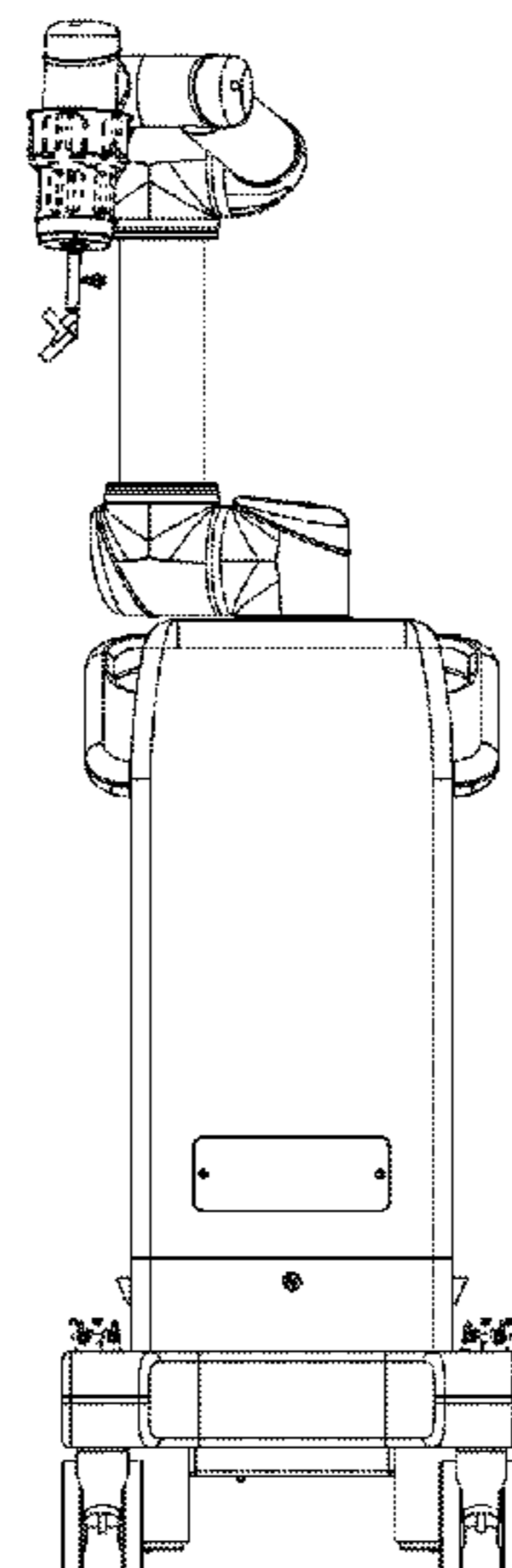
FIG. 10 is a top, front, and right perspective view of the surgical robot of FIG. 1, shown in a second use position of a collapsed state.

FIG. 11 is a top, rear, and right perspective view of the surgical robot of FIG. 1, shown in a third use position of an expanded state; and,

FIG. 12 is a top, front, and left perspective view of the surgical robot of FIG. 1, shown in a fourth use position of an expanded state.

The logo in FIG. 5 forming part of the disclosure is a registered trademark of TINAVI Medical Technologies Co., Ltd. of CHINA 2nd Floor, Unit D, Bldg No. 2, Zhongguancun Dongsheng Int'l Innovation Park (Tiandilinfeng) 1 Yongtaizhuang N. Road Haidian District, Beijing, China, 100192.

1 Claim, 12 Drawing Sheets



(58) **Field of Classification Search**

USPC D6/649, 650, 650.1, 655, 655.1, 655.11, D6/655.12, 655.13, 655.14, 655.15, D6/655.16, 655.17, 655.18, 655.19, 655.2, D6/655.21, 655.22, 655.23, 698, 700, D6/701, 553, 559, 561, 563, 601; D10/40; D13/101, 112, 114, 118, 120, D13/121, 122; D14/300, 301, 302, 307, D14/313, 314; D15/199; D23/200, 202, D23/207, 209, 210, 499; D24/100, 133, D24/144, 158, 159, 160, 162, 163, 164, D24/170, 177, 183, 184, 185, 186, 187, D24/216, 217, 227, 228, 229, 230, 231, D24/232, 233, 234; D25/15; D34/12, 14
 CPC A61B 17/00; A61B 2017/00199; A61B 2017/00212; A61B 17/00234; A61B 2017/00349; A61B 2017/00353; A61B 34/00; A61B 34/30; A61B 2034/301; A61B 2034/302; A61B 2034/303; A61B 2034/304; A61B 2034/305; A61B 2034/306; A61B 34/32; A61B 34/35; A61B 34/37; A61B 90/40; A61B 2090/401; A61B 50/00; A61B 50/10; A61B 2050/105; A61B 50/13; A61B 50/15; A61B 2050/185; A61B 50/20; A61B 2050/21; A61B 50/22; A61B 50/24; A61B 50/26; A61B 50/30; A61B 50/3001; A61B 2050/3004; A61B 2050/3005; A61B 2050/3006; A61B 2050/3007; A61B 2050/3008; A61B 2050/3009; A61B 2050/3011; A61B 34/20; A61B 50/33; A61B 50/34; A61B 5/0033; A61B 5/0035; A61B 5/0036; A61B 5/0037; A61B 5/004; A61B 5/0042; A61B 5/0044; A61B 2017/00013; A61G 12/00; A61G 12/001; A61G 12/002; A61G 12/004; A61G 12/005; A61G 12/007; A61G 12/008; A61J 7/00; A61J 7/0069; A61J 7/0076; A61J 7/0084; A61J 7/02; A61J 7/04; A61J 7/0409; A61J 7/0418; A61J 7/0427; A61J 7/0436; A61J 7/0445; A61J 7/0454; A61J 7/0463; A61J 7/0472; A61J 7/0481; A61J 7/049; A61J 7/03; A61J 2200/30; A61J 2205/10; B01L 3/502707; B01L 3/5027; B62B 3/00; B62B 3/002; B62B 3/02; B62B

5/06; B62B 5/061; B62B 5/064; B62B 5/065; B62B 5/066; B62B 5/067; B65D 83/04; B65D 83/0409; B65D 83/0418; B65D 83/0427; B65D 83/0436; B65D 83/0445; B65D 83/0454; B65D 83/0463; B65D 83/0472; B65D 83/0481; B65D 83/049; G02F 1/00; G02F 1/01; G09G 3/00; G09G 3/006; G09G 3/34; G09G 3/3406; G09G 3/3413; G09G 3/342; G09G 3/3426; G16H 20/00; G16H 20/10; G16H 20/13; G16H 20/17; G16H 20/30; G16H 20/40; G16H 20/60; G16H 20/70; G16H 20/90; G16H 40/00; G16H 40/60; Y10T 137/00

See application file for complete search history.

(56)

References Cited

U.S. PATENT DOCUMENTS

2016/0081753	A1 *	3/2016	Kostrzewski	A61B 46/10 606/130
2017/0065354	A1 *	3/2017	Shiels	A61B 50/13
2017/0128142	A1 *	5/2017	Still	G11C 29/36
2019/0021795	A1 *	1/2019	Crawford	A61B 6/547
2019/0069962	A1 *	3/2019	Tabandeh	A61B 34/32
2019/0216555	A1 *	7/2019	DiMaio	A61B 90/03
2019/0247055	A1 *	8/2019	Nahum	A61B 17/154
2020/0061847	A1 *	2/2020	Dixon	A61B 34/70
2020/0197122	A1 *	6/2020	Kuramoto	A61B 90/25
2020/0268448	A1 *	8/2020	Weir	A61B 34/20
2020/0367873	A1 *	11/2020	Troxell	A61B 90/50

OTHER PUBLICATIONS

Med Device Online, "New Entrants To Open Up Surgical Robotics Market", first available Feb. 12, 2016. (<https://www.meddeviceonline.com/doc/new-entrants-to-open-up-surgical-robotics-market-0001>) (Year: 2016).*

Johnson & Johnson Medical Devices, "Johnson & Johnson Medical Shanghai and TINAVI", first available Oct. 25, 2019. (<https://www.jnjmedicaldevices.com/en-US/news-events/johnson-johnson-medical-shanghai-and-tinavi-sign-strategic-collaboration-expand-digital>) (Year: 2019).*

Science Direct, "Role of Robotics in Improving Surgical Outcome in Spinal Pathologies", first available Aug. 2020. (<https://www.sciencedirect.com/science/article/pii/S1878875020311037>) (Year: 2020).*

* cited by examiner

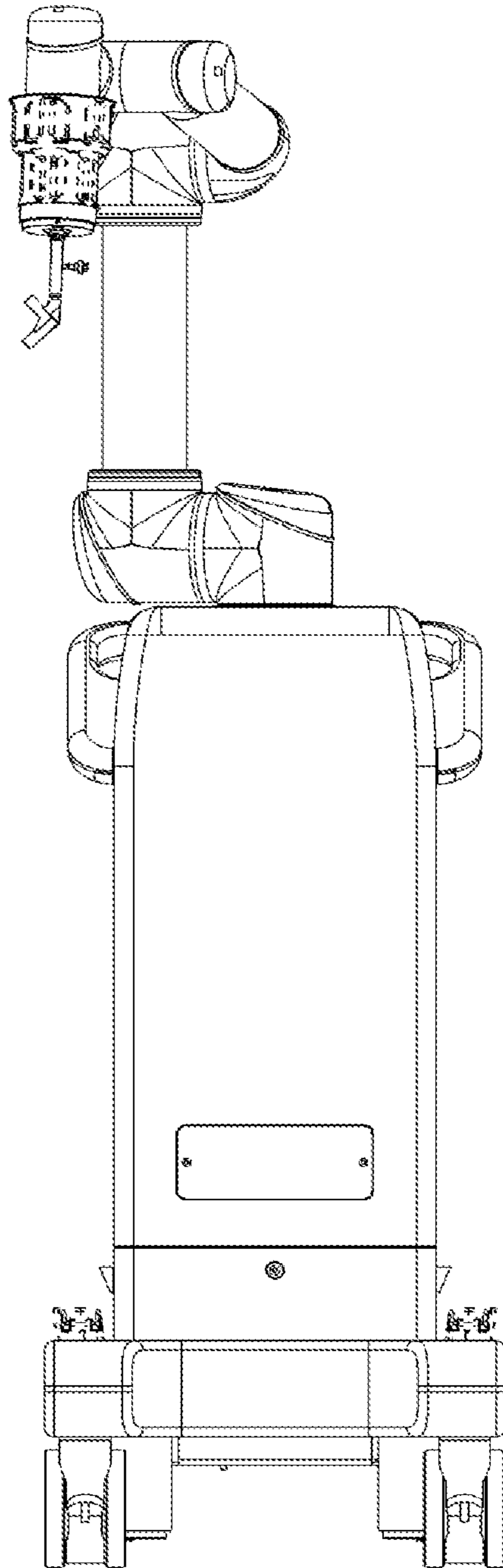


FIG. 1

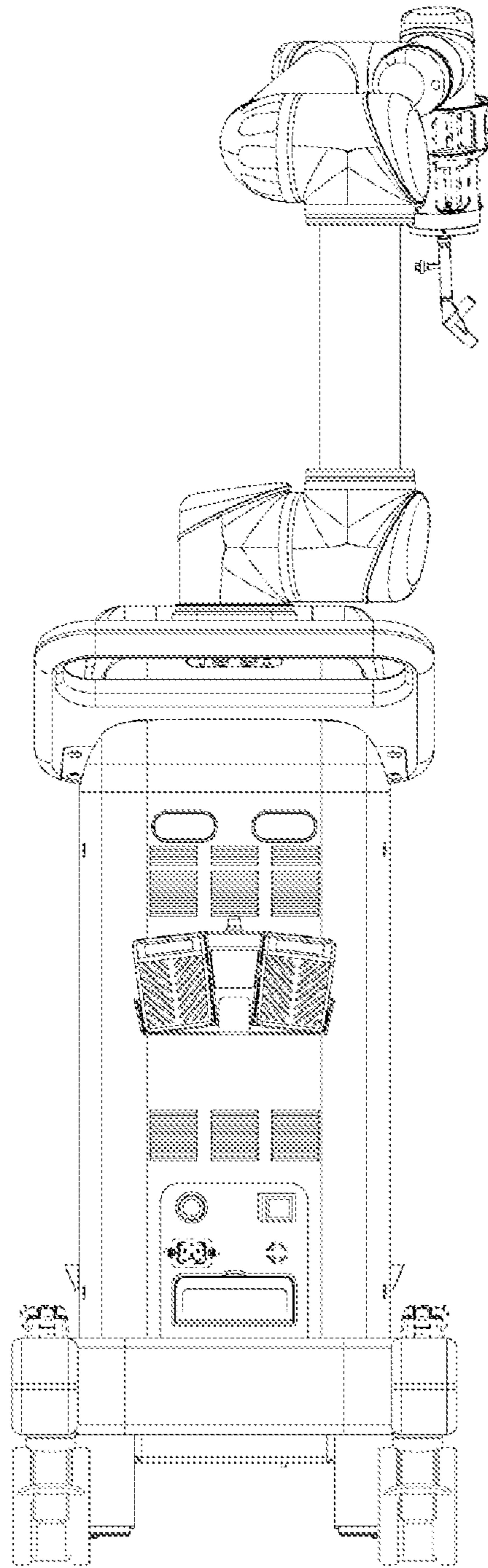


FIG. 2

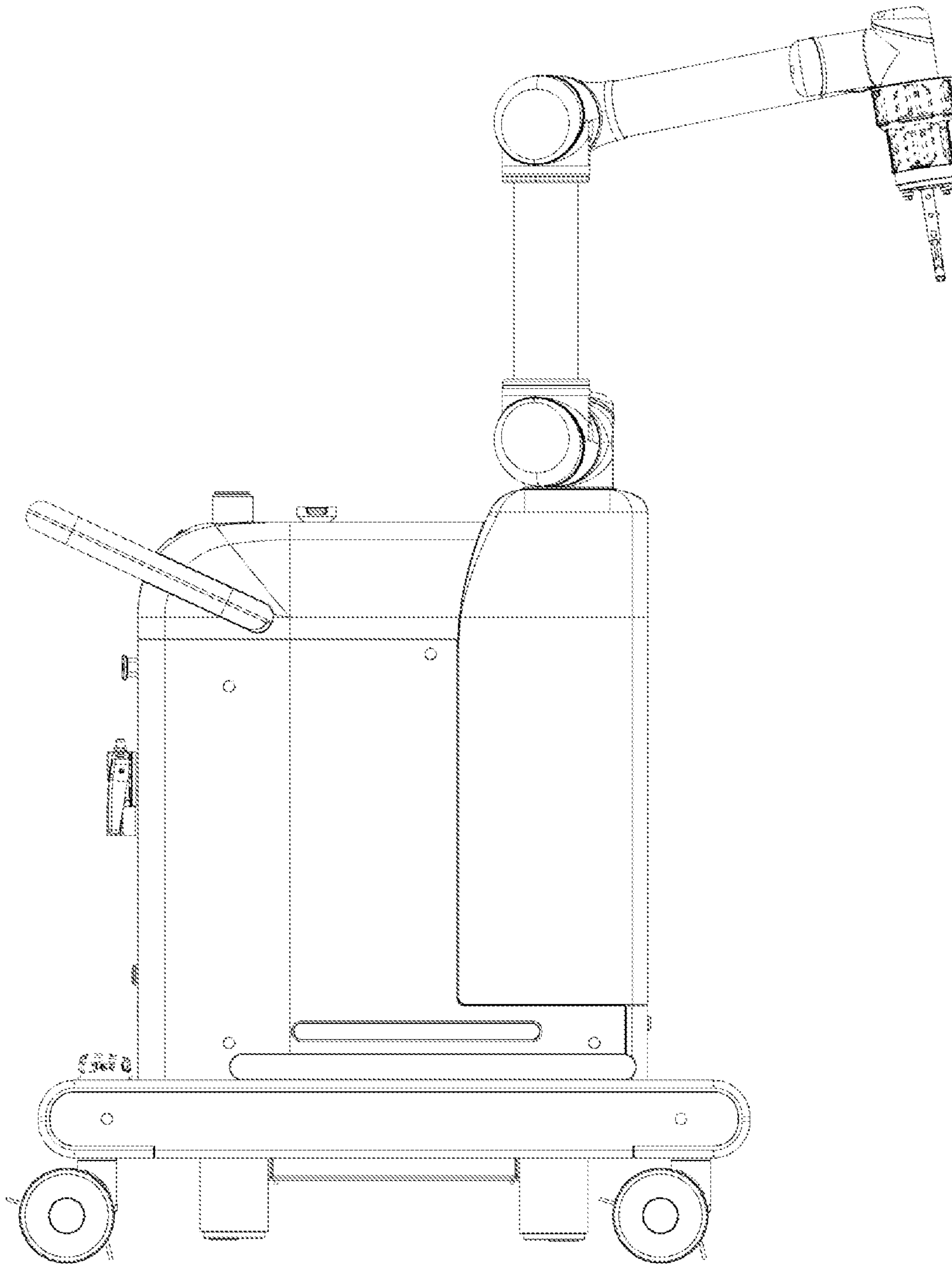


FIG. 3

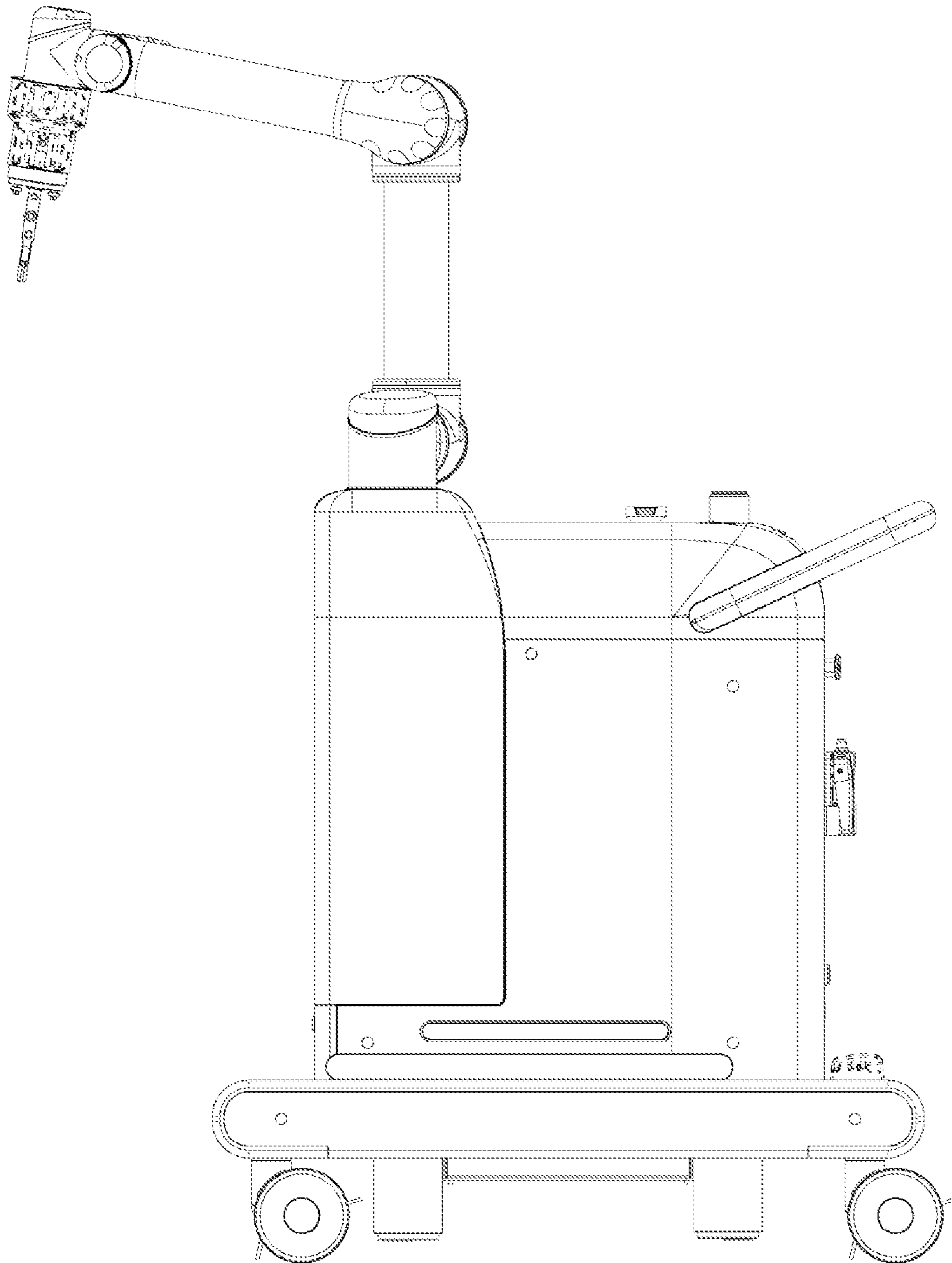


FIG. 4

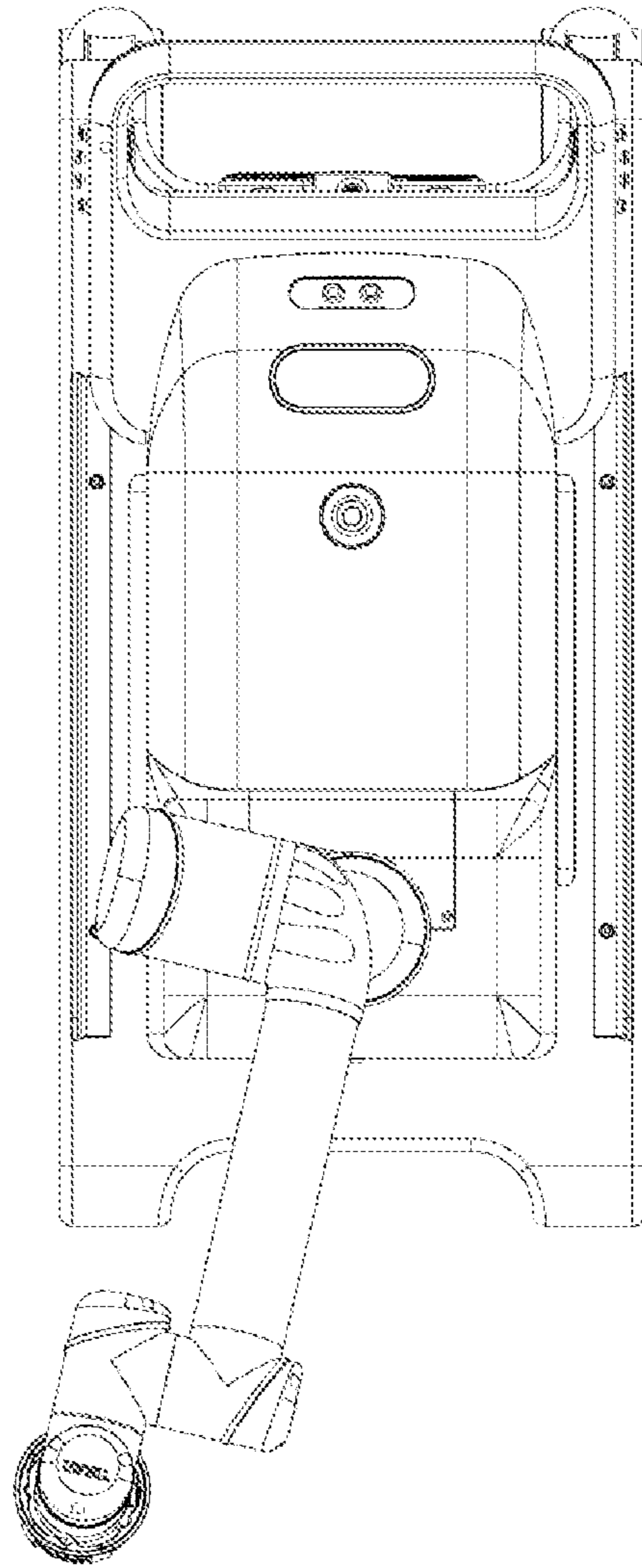


FIG. 5

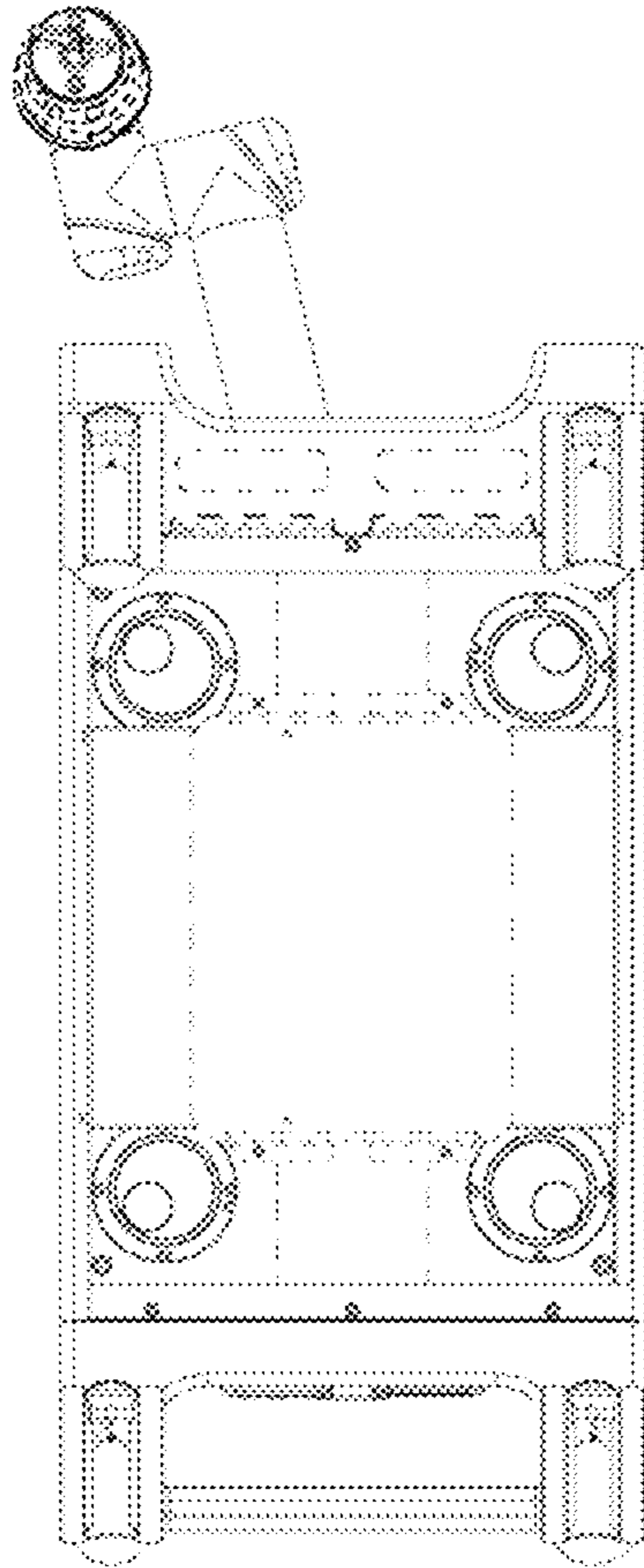


FIG. 6

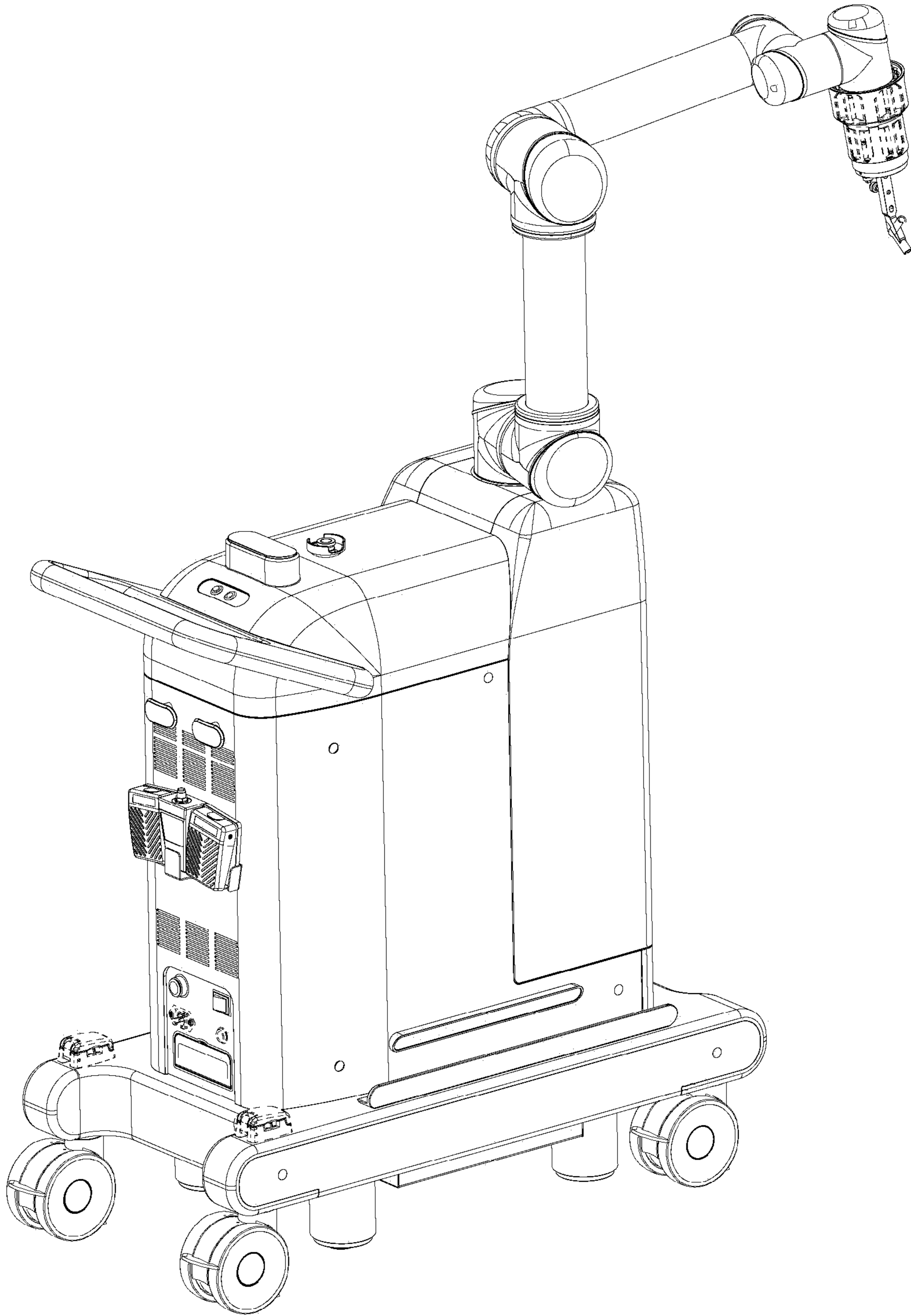


FIG. 7

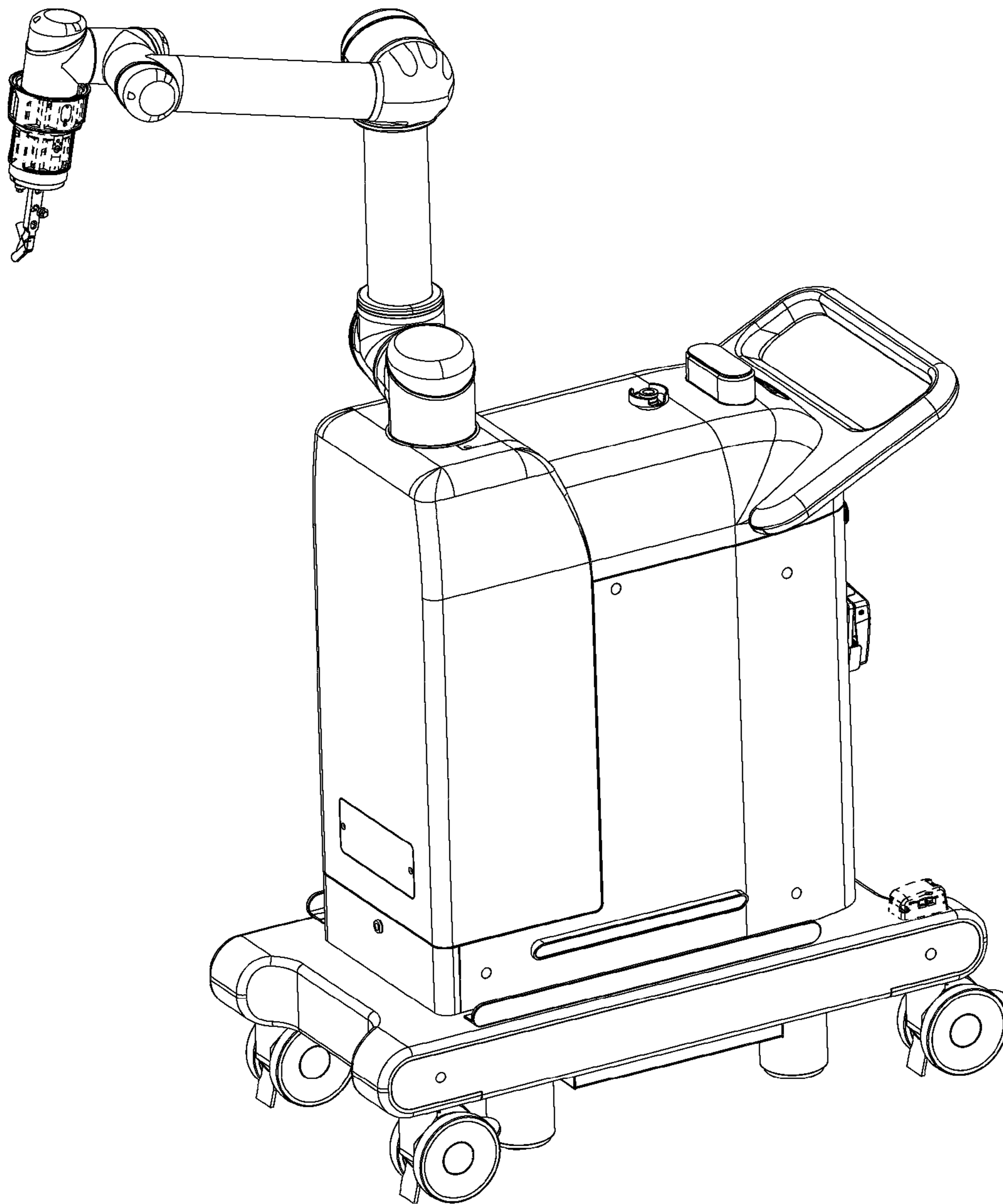


FIG. 8

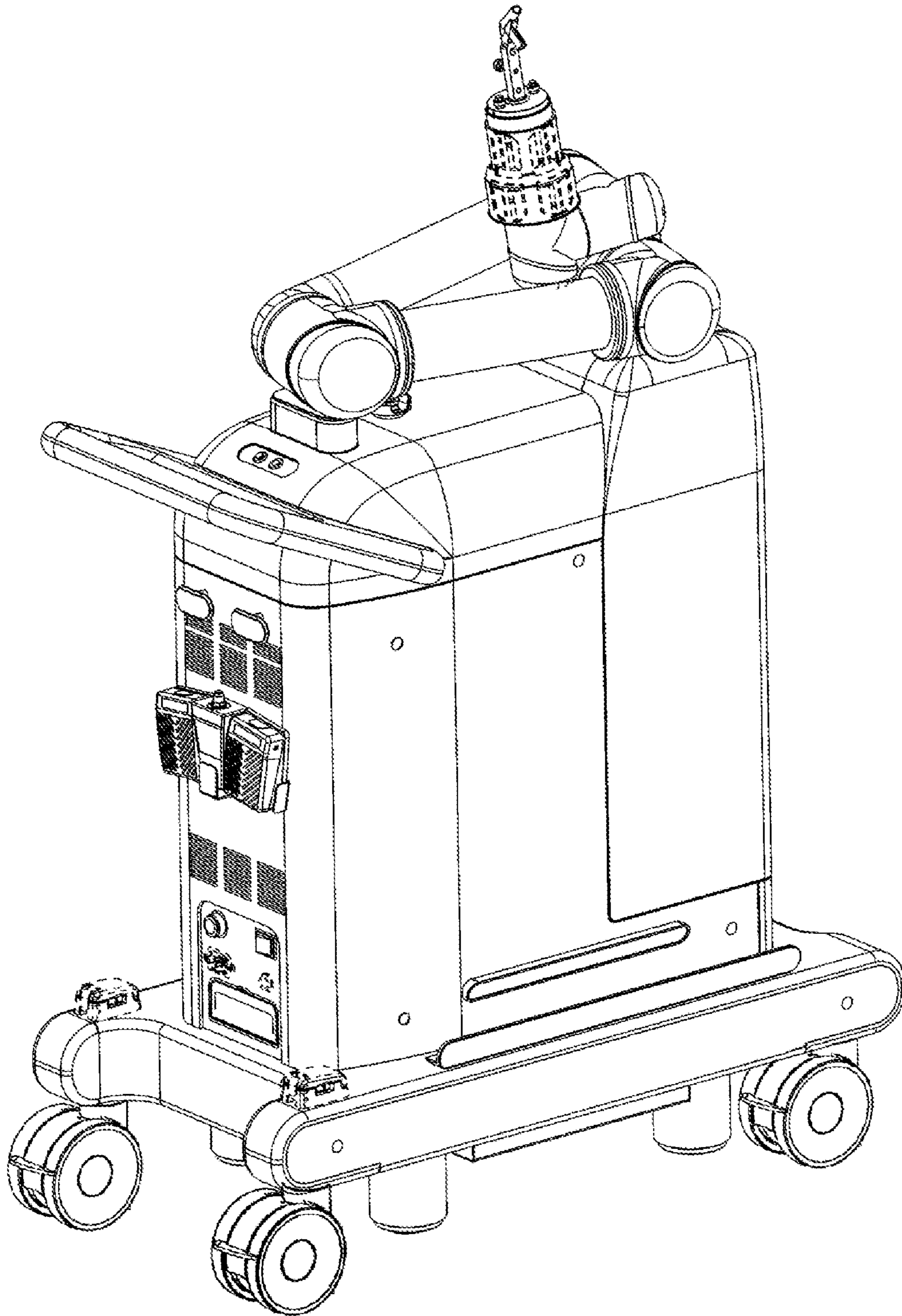


FIG. 9

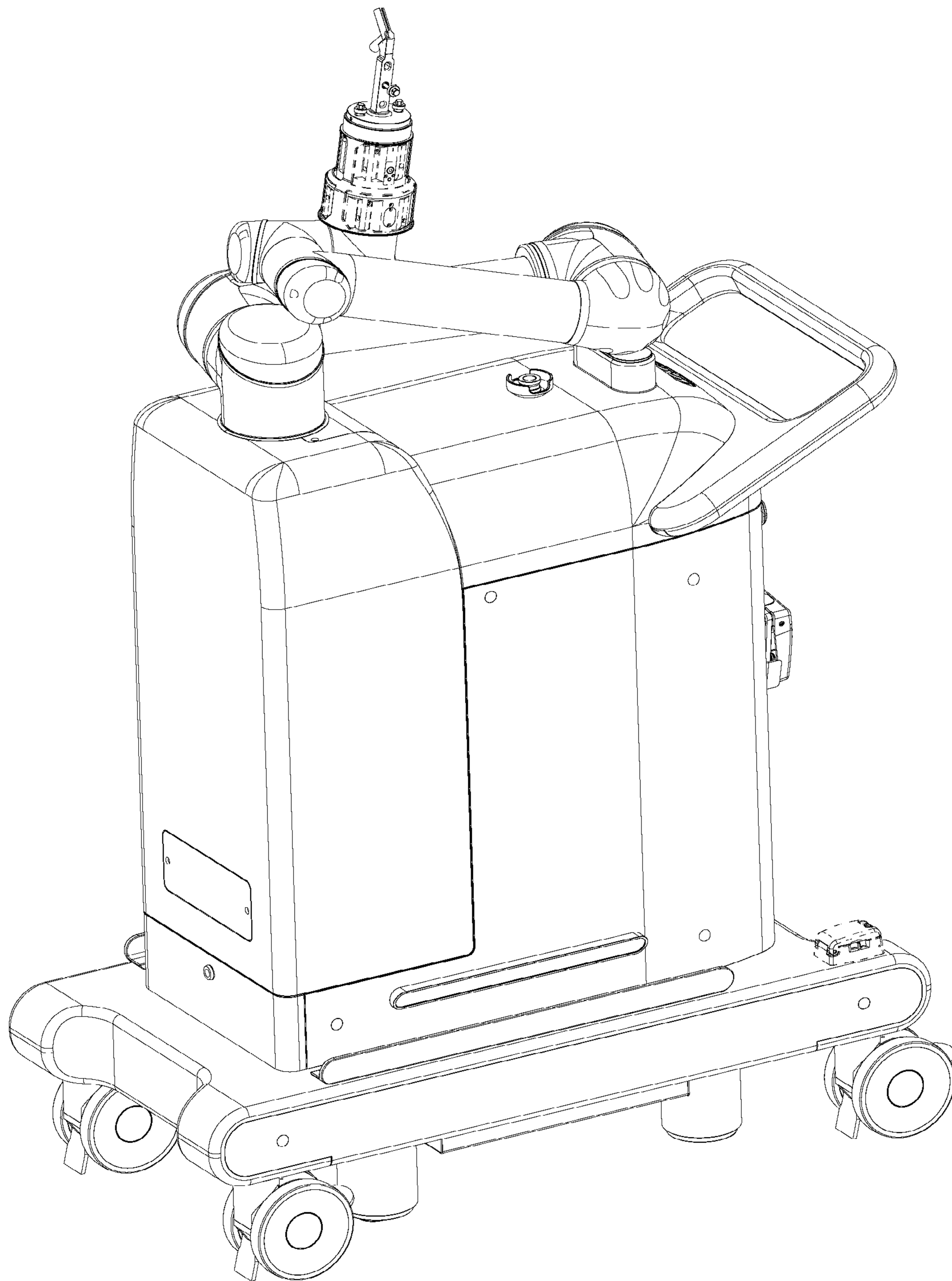


FIG. 10

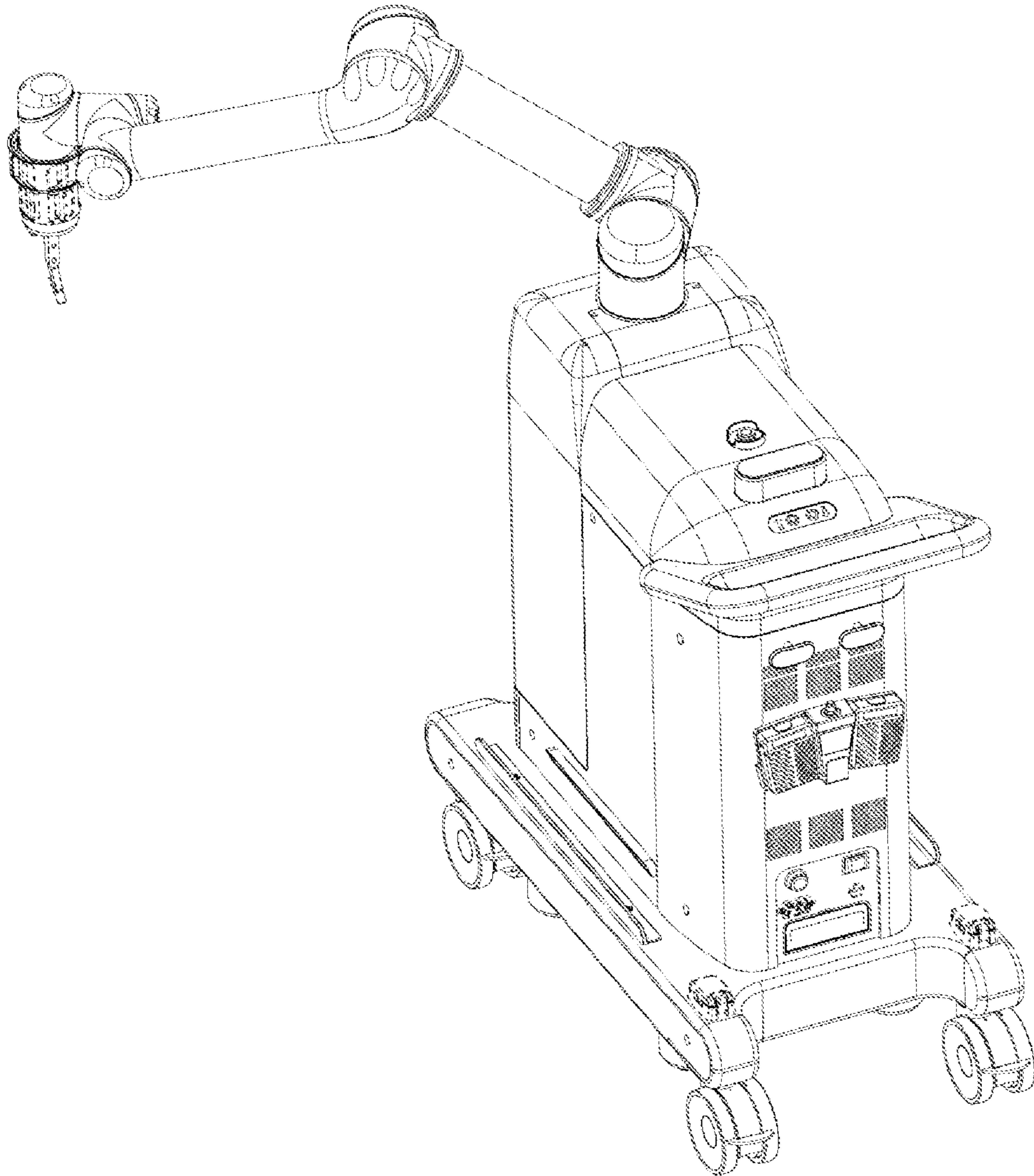


FIG. 11

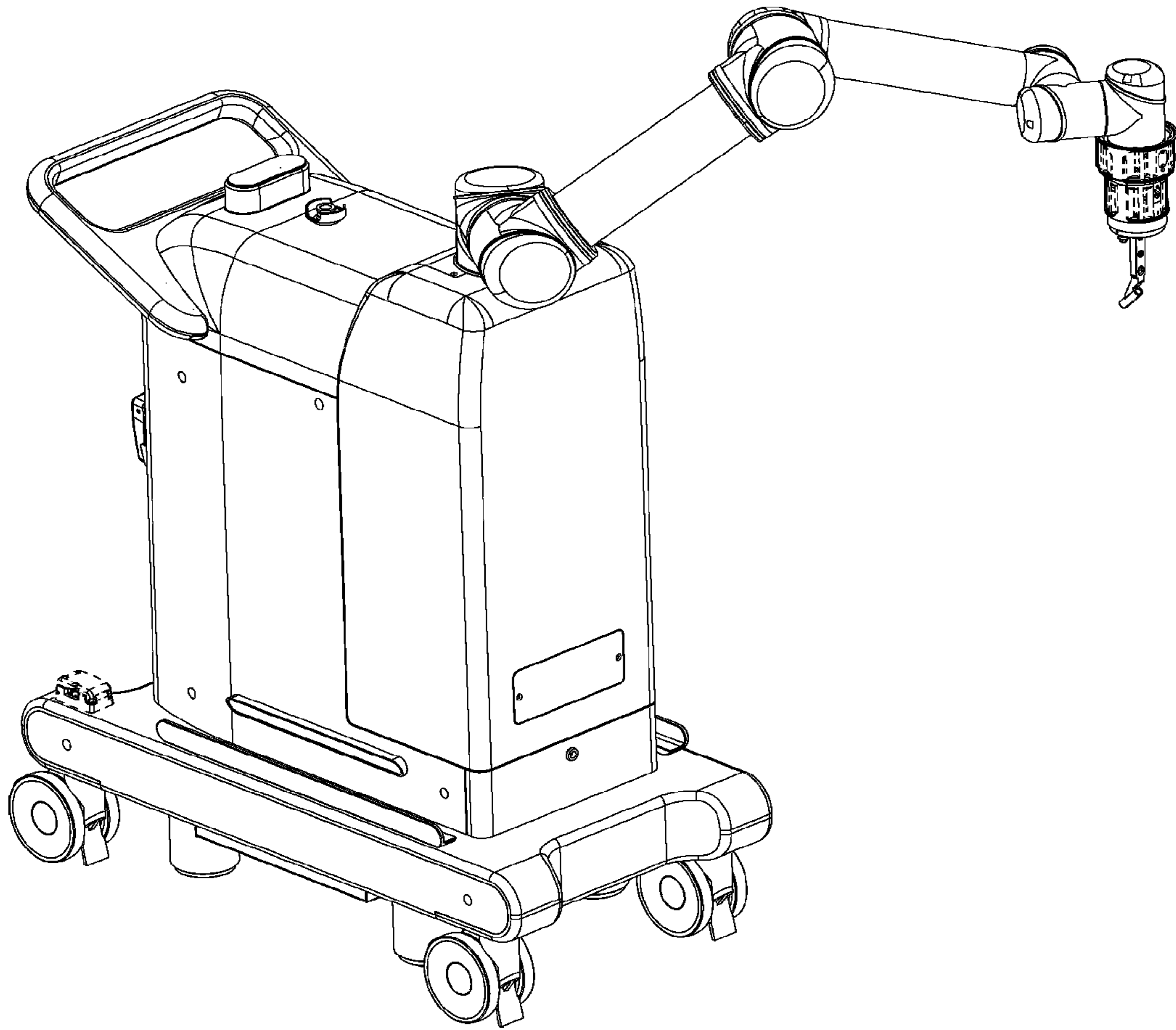


FIG. 12