



US00D932023S

(12) **United States Design Patent** (10) **Patent No.:** **US D932,023 S**
Morreale et al. (45) **Date of Patent:** **** Sep. 28, 2021**

(54) **ORAL HYGIENE DEVICE**

(71) Applicant: **PhotoDynamic Inc.**, Halifax (CA)

(72) Inventors: **Mark Tullio Morreale**, Toronto (CA);
Sherri McFarland, Haslet, TX (US);
Colin G. Cameron, Haslet, TX (US);
Martin Greenwood, Dartmouth (CA);
S. Alexander McLellan, Ketch Harbour (CA)

(73) Assignee: **PhotoDynamic Inc.**, Halifax (CA)

(**) Term: **15 Years**

(21) Appl. No.: **29/706,480**

(22) Filed: **Sep. 20, 2019**

(51) **LOC (13) Cl.** **24-02**

(52) **U.S. Cl.**
USPC **D24/181**

(58) **Field of Classification Search**
USPC D24/180-182, 110, 110.5, 176; D29/108
CPC A61C 7/08; A61C 7/36; A61C 9/0006;
A61C 19/005; A61C 19/006; A61C
19/06; A61C 19/063; A61C 19/066; A61C
2201/007

See application file for complete search history.

(56) **References Cited**

U.S. PATENT DOCUMENTS

6,893,259 B1 * 5/2005 Reizenon A61C 17/0211
433/29
D713,531 S * 9/2014 Way D24/181
9,907,626 B1 * 3/2018 Lowe A61C 7/008
D849,956 S * 5/2019 Demarest D24/181
D864,399 S * 10/2019 Qin D24/176
D885,583 S * 5/2020 Haiola D24/181
D887,017 S * 6/2020 Liu D24/200
D890,930 S * 7/2020 Farrell D24/180
D895,808 S * 9/2020 Li D24/176
D899,600 S * 10/2020 Li D24/176

D904,621 S * 12/2020 Bould D24/181
D908,223 S * 1/2021 Pai D24/176
D908,890 S * 1/2021 Demarest D24/181
10,918,882 B2 * 2/2021 Demarest A61C 19/066
D912,825 S * 3/2021 Demarest D24/181
D912,826 S * 3/2021 Bao D24/181
D912,827 S * 3/2021 Haiola D24/181
2008/0255498 A1 * 10/2008 Houle A61C 17/0208
604/20
2011/0252590 A1 * 10/2011 Steur A61C 17/16
15/167.2
2012/0214122 A1 * 8/2012 Dwyer A61C 19/066
433/29
2013/0273490 A1 * 10/2013 Way A61C 7/008
433/6

(Continued)

OTHER PUBLICATIONS

Teeth Whitening Kit by VieBeauti. Amazon. Oldest review date:
Dec. 7, 2019. Date retrieved: Jan. 27, 2021. Retrieved from internet:
<https://www.amazon.com/dp/B07WT7C65V> (Year: 2019).*

(Continued)

Primary Examiner — Lilyana Bekic
Assistant Examiner — Lee D. Starr
(74) *Attorney, Agent, or Firm* — Riverside Law LLP

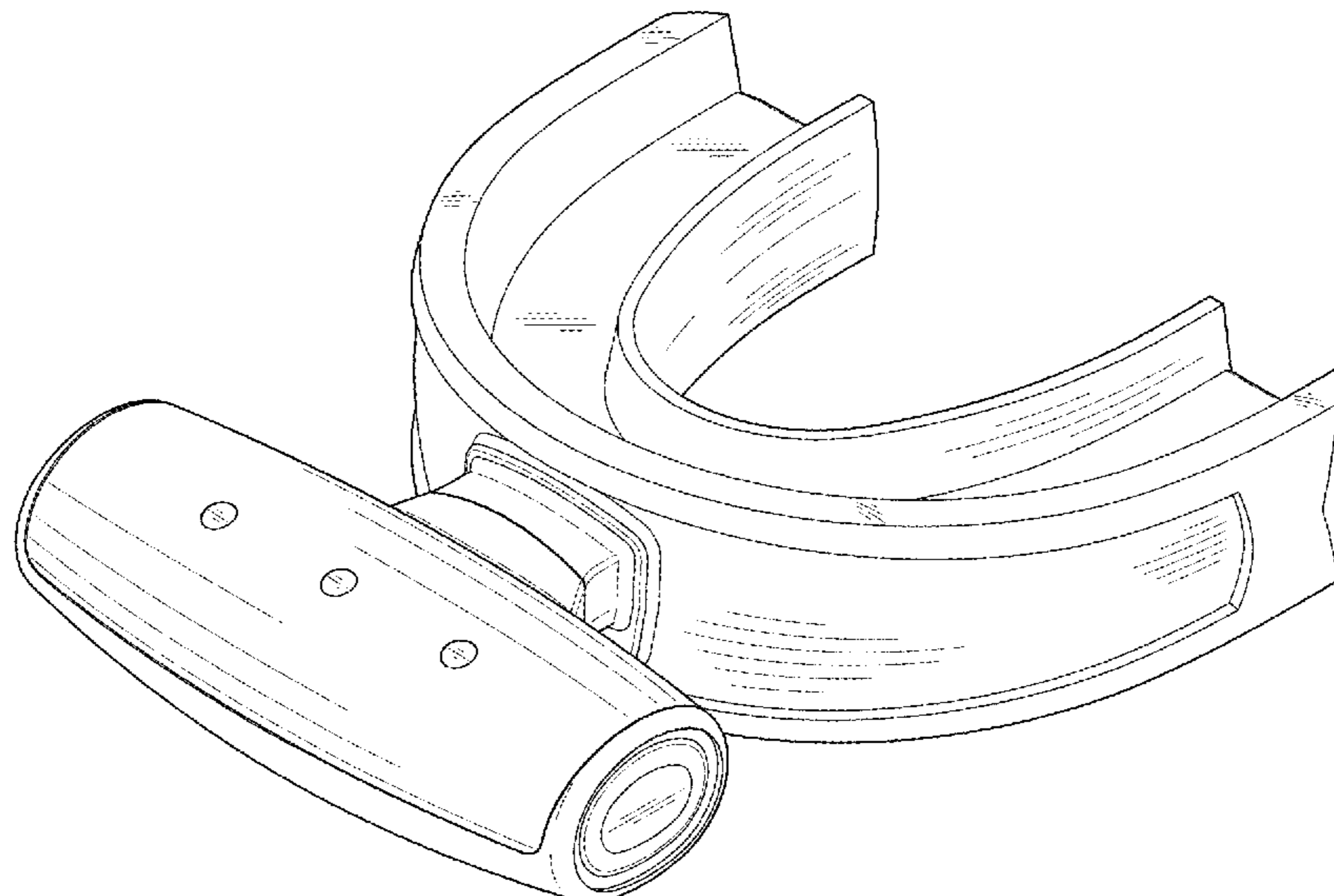
(57) **CLAIM**

We claim the ornamental design for an oral hygiene device,
as shown and described.

DESCRIPTION

FIG. 1 is a perspective view of an oral hygiene device;
FIG. 2 is a front view thereof;
FIG. 3 is a back view thereof;
FIG. 4 is a right side view thereof;
FIG. 5 is a left side view thereof;
FIG. 6 is a top view thereof; and,
FIG. 7 is a bottom view thereof.

1 Claim, 5 Drawing Sheets



(56)

References Cited

U.S. PATENT DOCUMENTS

2015/0140502 A1* 5/2015 Brawn A61C 7/08
433/24
2018/0116773 A1* 5/2018 Chen A61C 17/028
2018/0140383 A1* 5/2018 Johnson A61C 7/08
2019/0201774 A1* 7/2019 Mueller A63B 1/00
2020/0121428 A1* 4/2020 Pai A61C 9/0046
2020/0281701 A1* 9/2020 Kim A61B 8/12
2020/0315745 A1* 10/2020 Way A61C 19/02
2020/0323683 A1* 10/2020 Yoskowitz A61F 7/10
2020/0345472 A1* 11/2020 Chapman A61C 19/066
2021/0068936 A1* 3/2021 Brawn A61C 19/06
2021/0100645 A1* 4/2021 Speicher A61C 19/066

OTHER PUBLICATIONS

Light Therapy Lip Care by reVive. Amazon. Oldest review date:
Mar. 3, 2018. Date retrieved: Jan. 27, 2021. Retrieved from internet:
[https://www.amazon.com/REVIVE-LIGHT-THERAPY-LIP-CARE/
dp/B078NTVLKD](https://www.amazon.com/REVIVE-LIGHT-THERAPY-LIP-CARE/dp/B078NTVLKD) (Year: 2018).*

PhytoLight by Photodynamic Inc. Phyto-light.com Date retrieved:
Jan. 27, 2021. Retrieved from internet: [https://www.phyto-light.
com/](https://www.phyto-light.com/) (Year: 2021).*

* cited by examiner

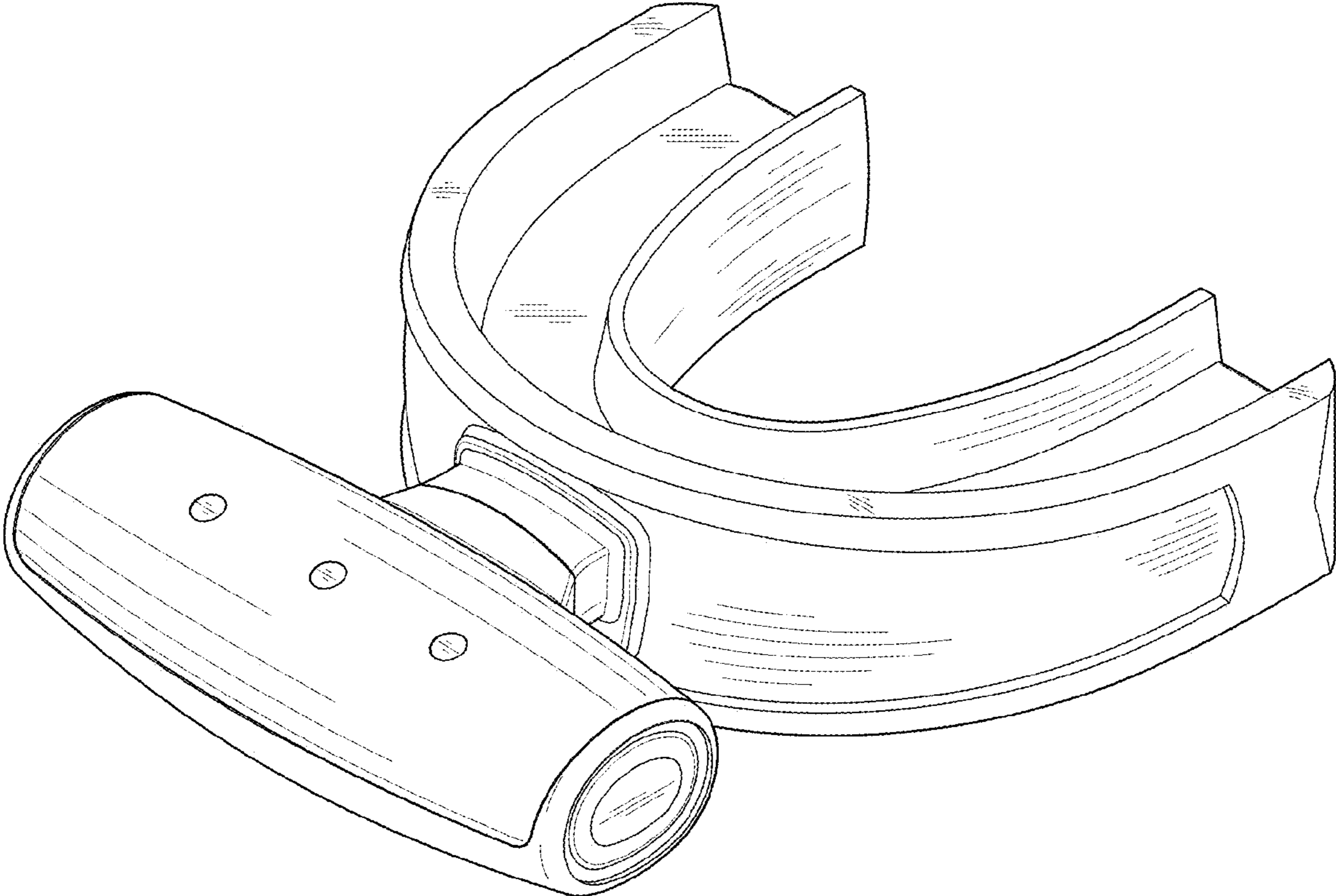


FIG. 1

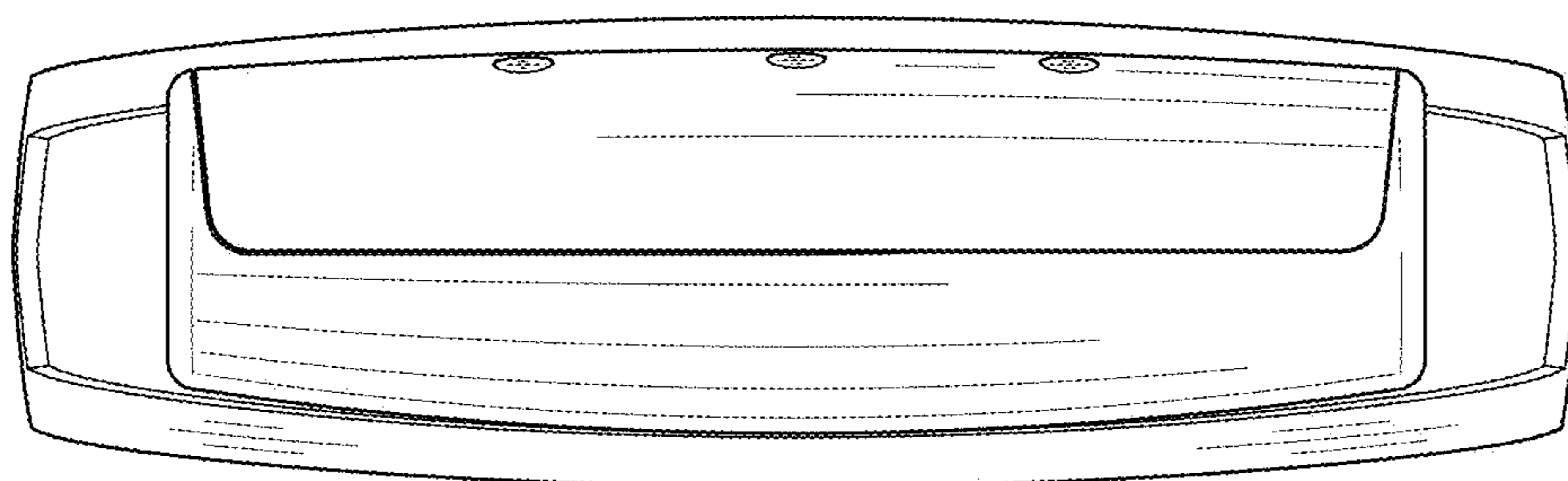


FIG. 2

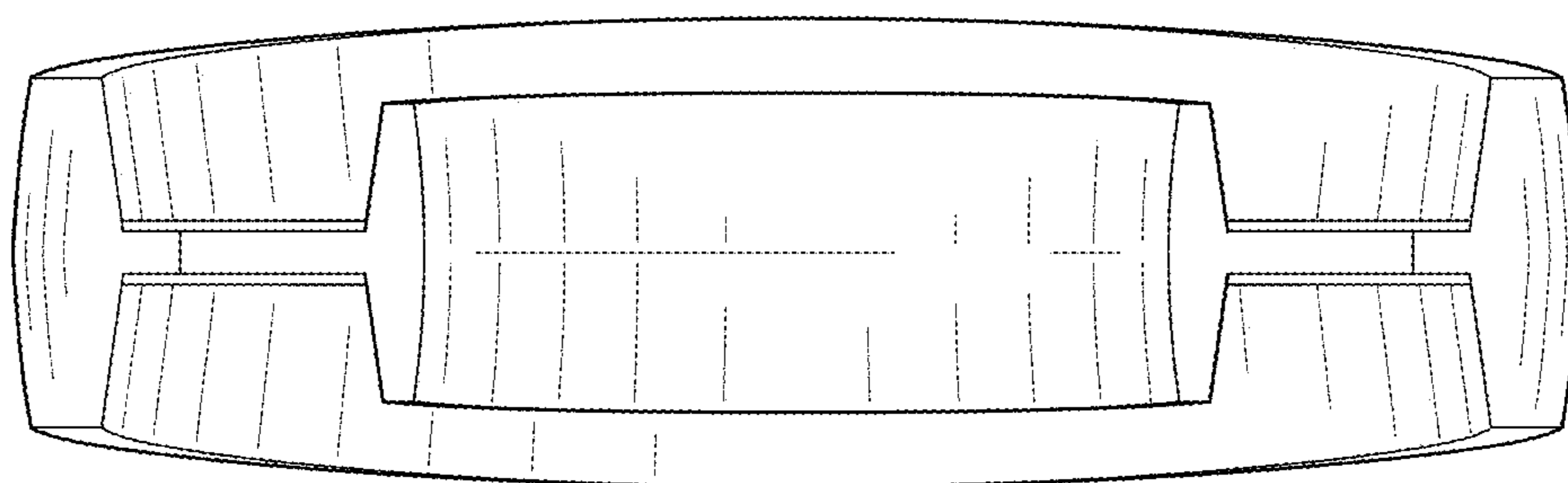


FIG. 3

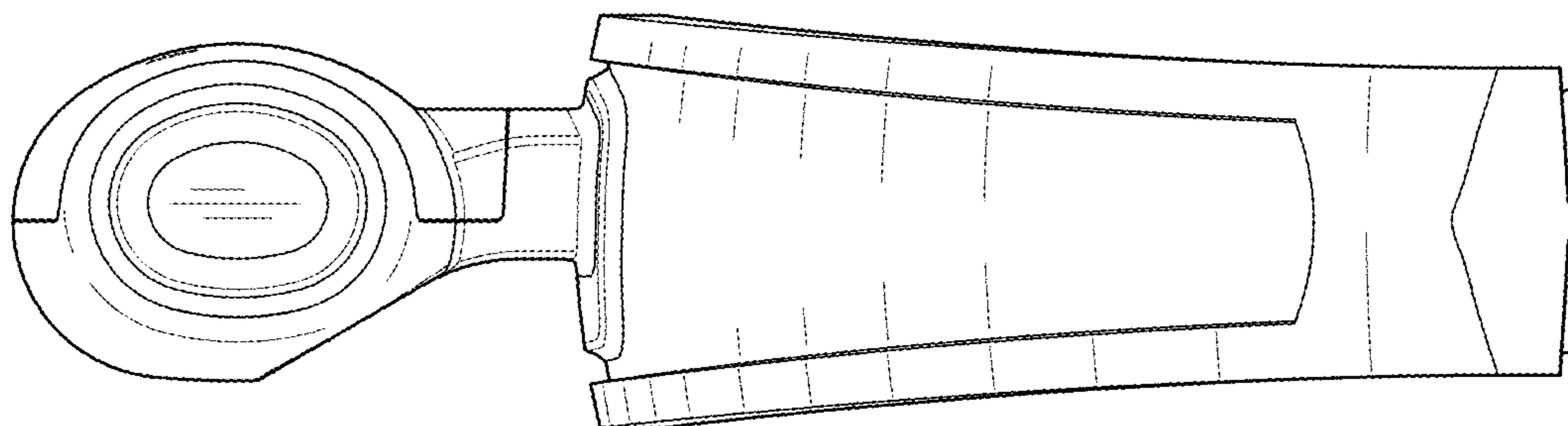


FIG. 4

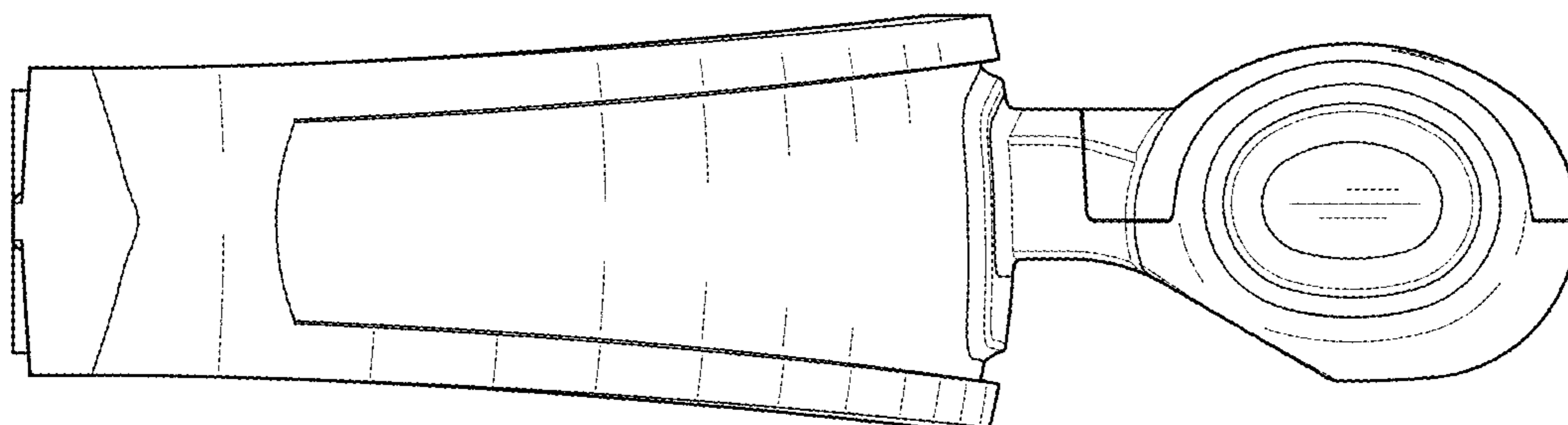


FIG. 5

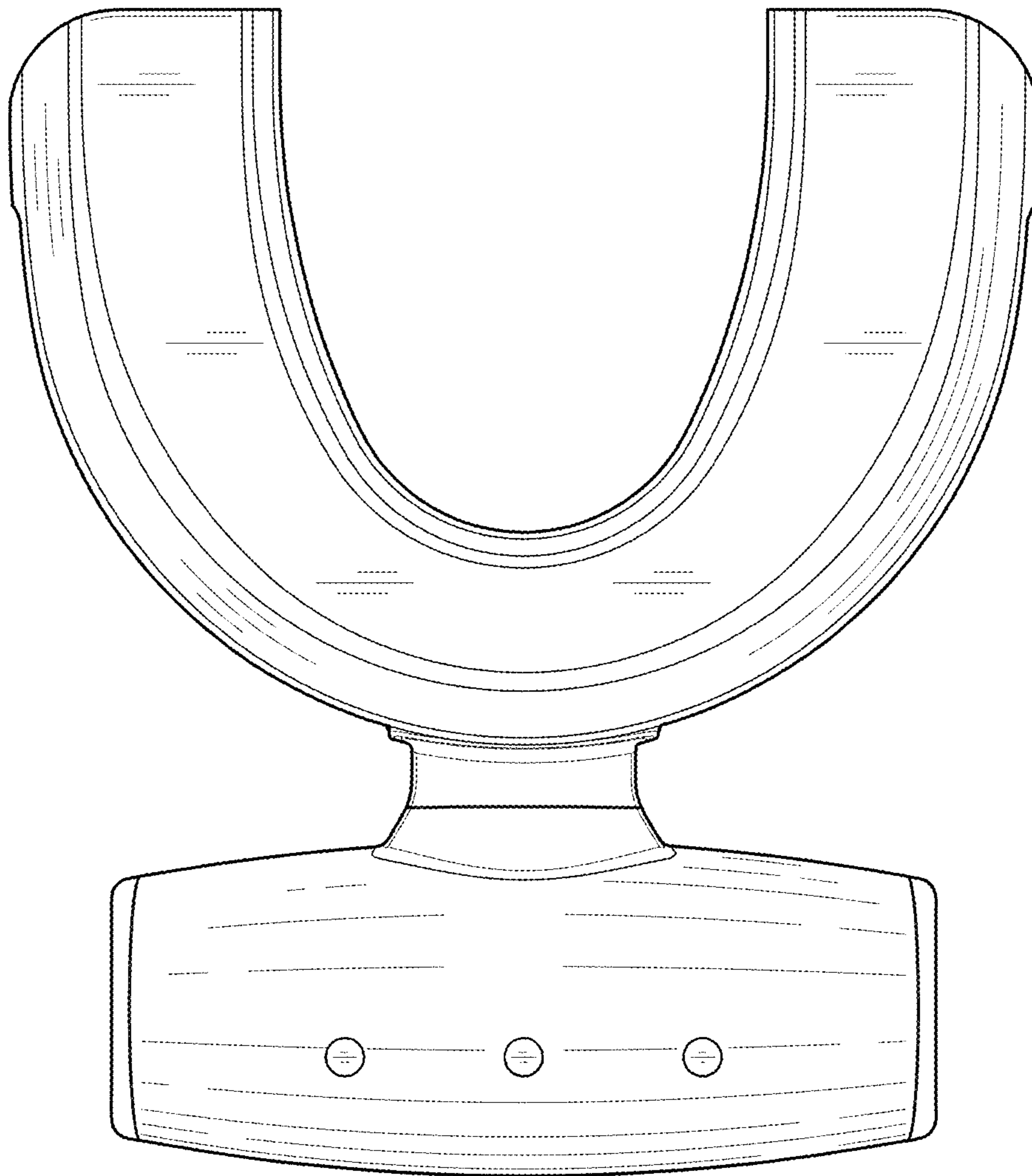


FIG. 6

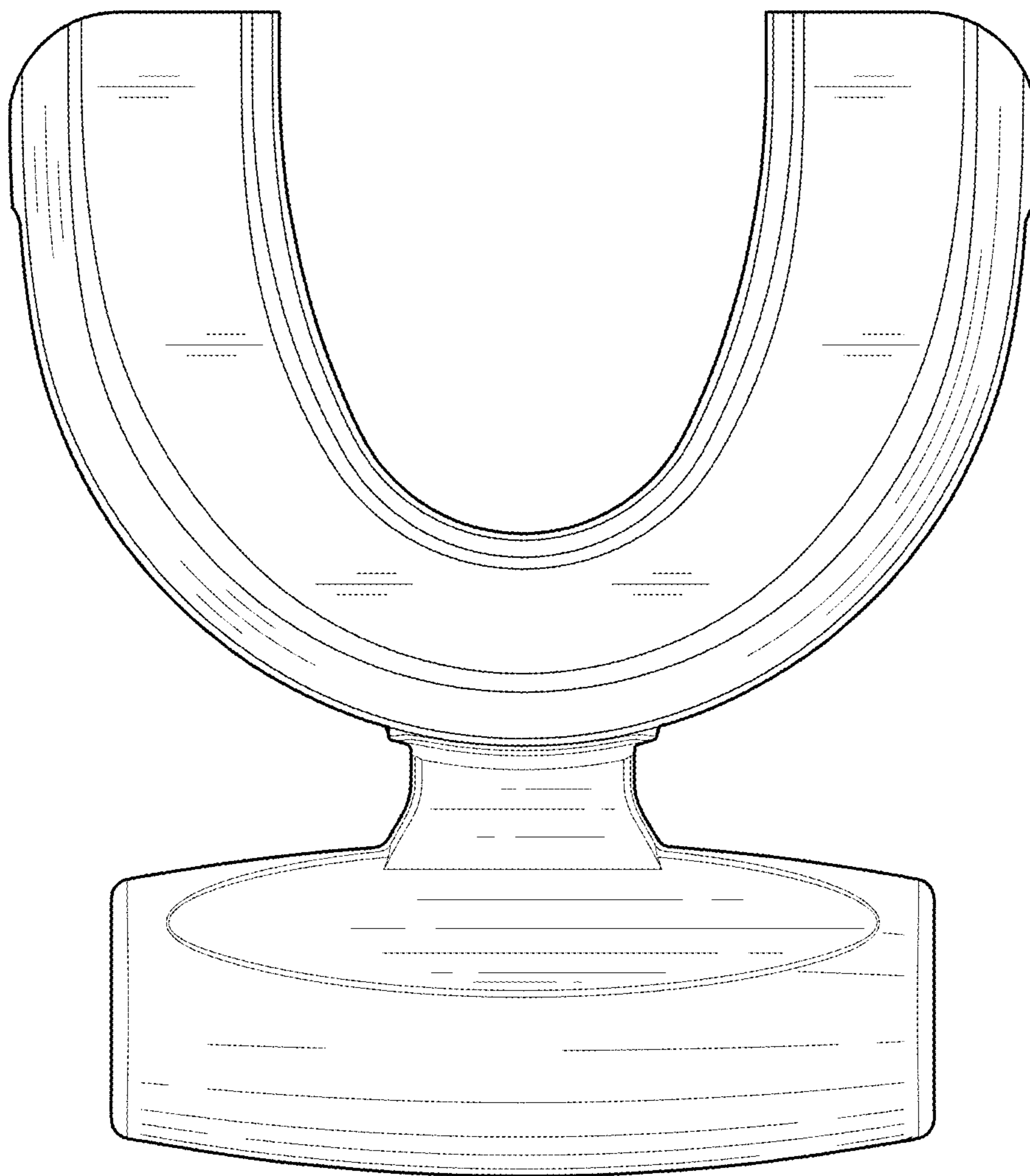


FIG. 7