



US00D932022S

(12) **United States Design Patent**
Tamsiran

(10) **Patent No.:** **US D932,022 S**

(45) **Date of Patent:** **** Sep. 28, 2021**

(54) **HEARING AID**

(71) Applicant: **Sonova AG, Stäfa (CH)**

(72) Inventor: **Rafael Tamsiran, Amersfoort (NL)**

(**) Term: **15 Years**

(21) Appl. No.: **35/508,586**

(22) Filed: **Sep. 27, 2019**

(80) **Hague Agreement Data**

Int. Filing Date: **Sep. 27, 2019**

Int. Reg. No.: **DM/205650**

Int. Reg. Date: **Sep. 27, 2019**

Int. Reg. Pub. Date: **Feb. 14, 2020**

(51) **LOC (13) Cl.** **24-99**

(52) **U.S. Cl.**
USPC **D24/174**

(58) **Field of Classification Search**
USPC D24/173-175; D14/205, 223-226, 230,
D14/231, 236, 249
CPC H04R 25/60; H04R 25/63; H04R 25/65;
H04R 25/67; H04R 25/602; H04R
25/604; H04R 25/608; H04R 25/658;
H04R 2225/025

See application file for complete search history.

(56) **References Cited**

U.S. PATENT DOCUMENTS

D646,788 S * 10/2011 Dubs D24/174
D722,168 S * 2/2015 Darkes H04R 25/60
D24/174

D805,203 S * 12/2017 Meinertz D24/174
D837,984 S * 1/2019 Christiansen D24/151
D844,146 S * 3/2019 Beedham D24/174
D855,188 S * 7/2019 Lockenwitz D24/174
D872,280 S * 1/2020 Shi D24/174
10,609,497 B2 * 3/2020 Ochsenbein H04R 25/60
D908,221 S * 1/2021 Lockenwitz D24/174

* cited by examiner

Primary Examiner — Keli L Hill

(57) **CLAIM**

The ornamental design for a hearing aid, as shown and described.

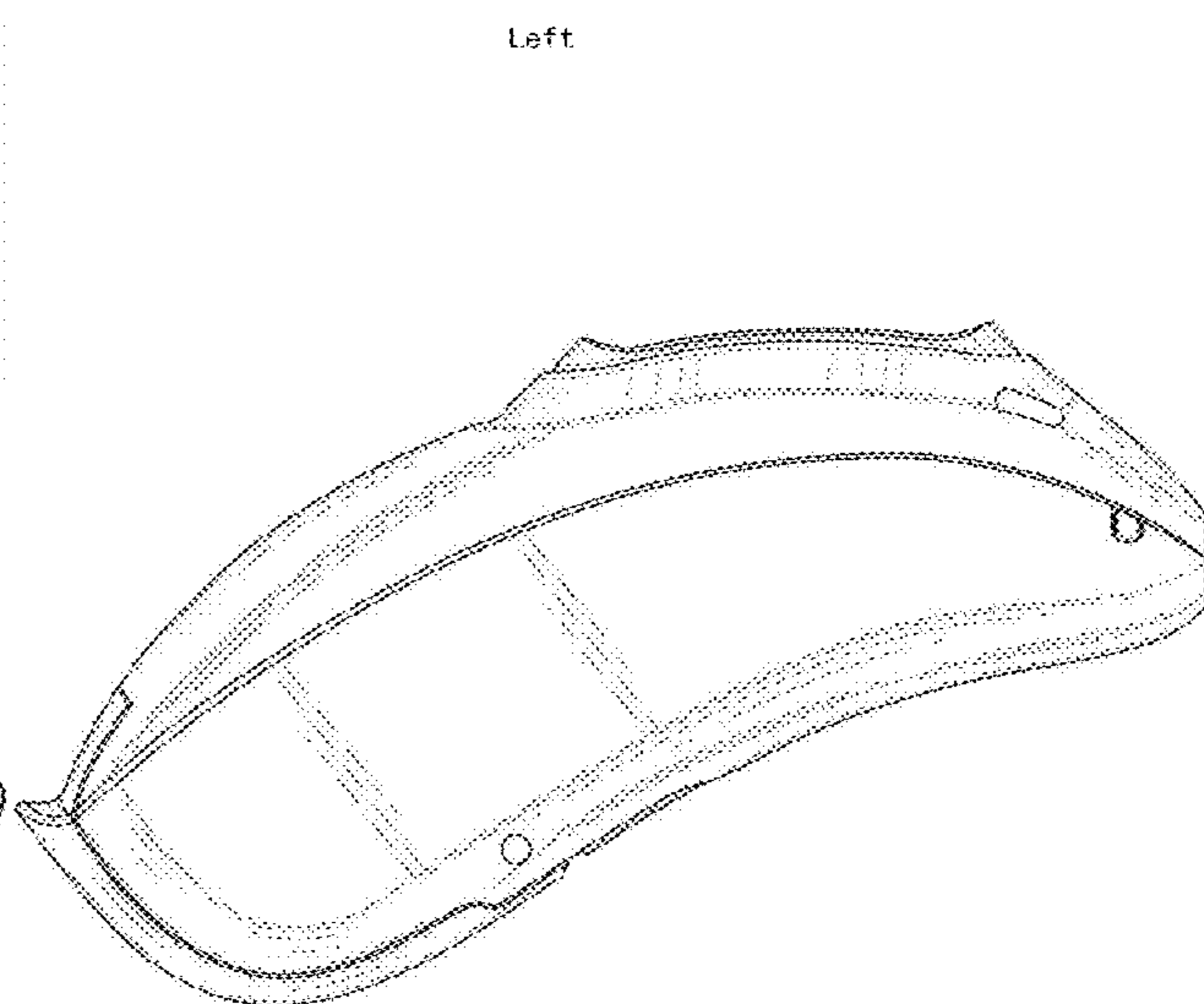
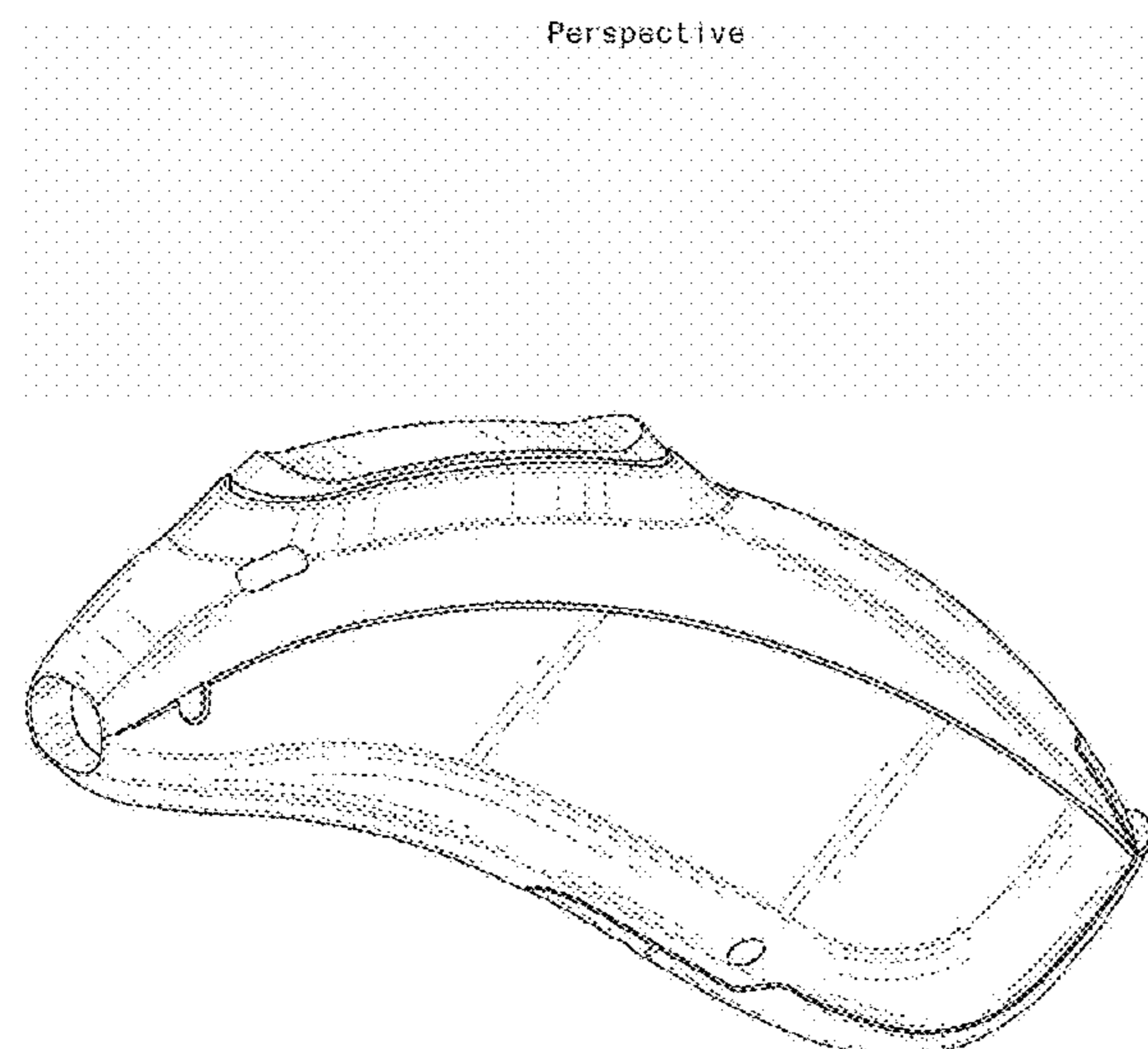
DESCRIPTION

- 1. Hearing aid
- 1.1 : Perspective
- 1.2 : Top
- 1.3 : Bottom
- 1.4 : Right
- 1.5 : Left
- 1.6 : Front
- 1.7 : Back

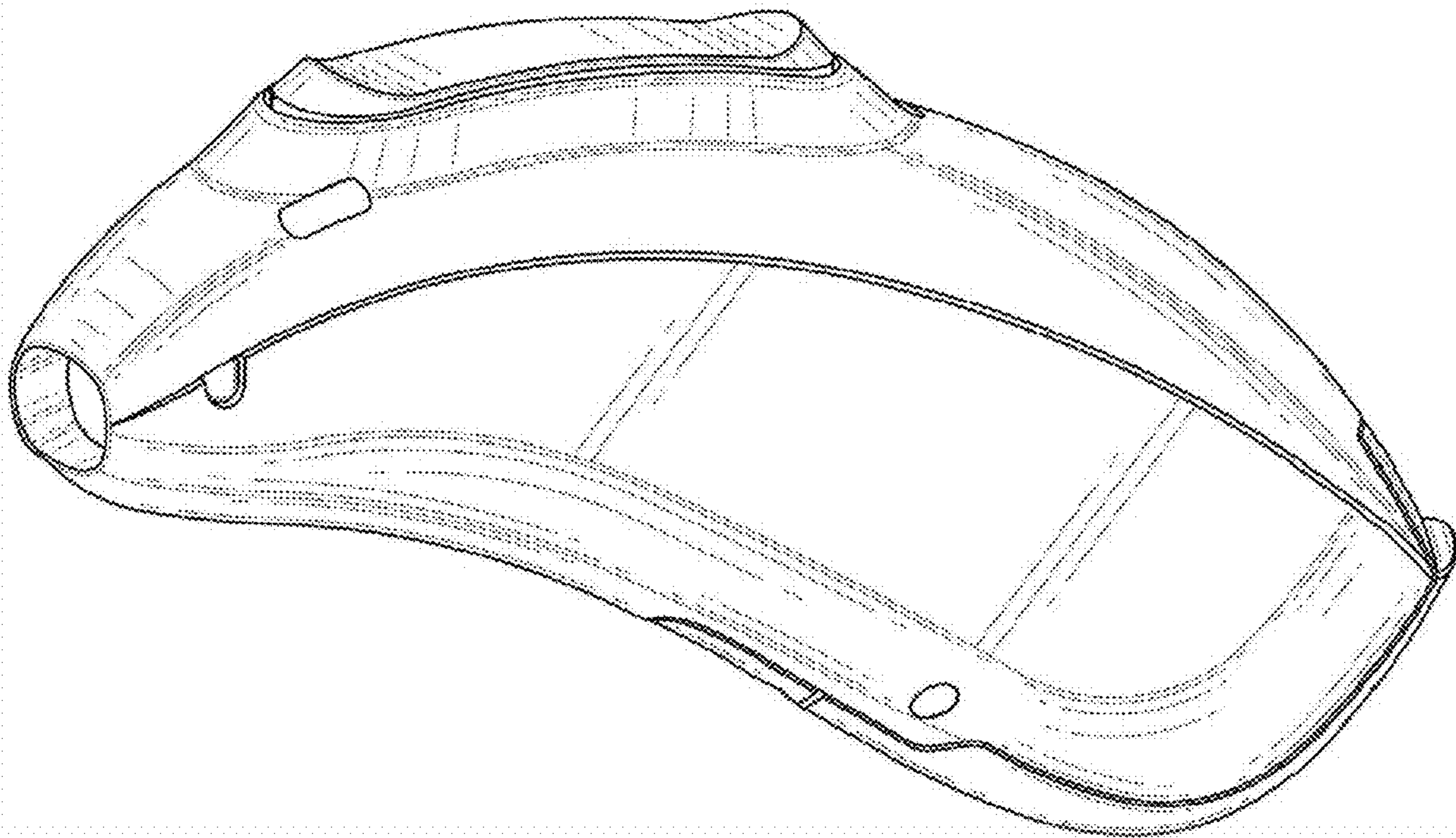
Fig. 1.1 is a top, front, left side perspective view thereof, fig. 1.2 is a top view thereof, fig. 1.3 is a bottom view thereof, fig. 1.4 is a right side view thereof, fig. 1.5 is a left side view thereof, fig. 1.6 is a front side view thereof, fig. 1.7 is a back side view thereof.

The broken lines shown in the figures depict portions of the hearing aid that form no part of the claimed design.

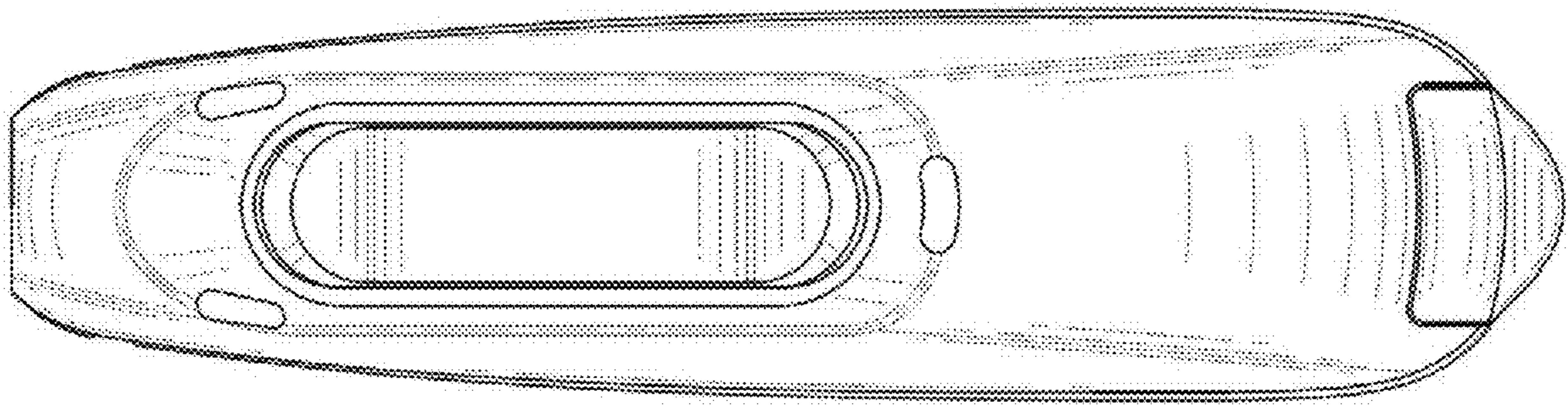
1 Claim, 7 Drawing Sheets



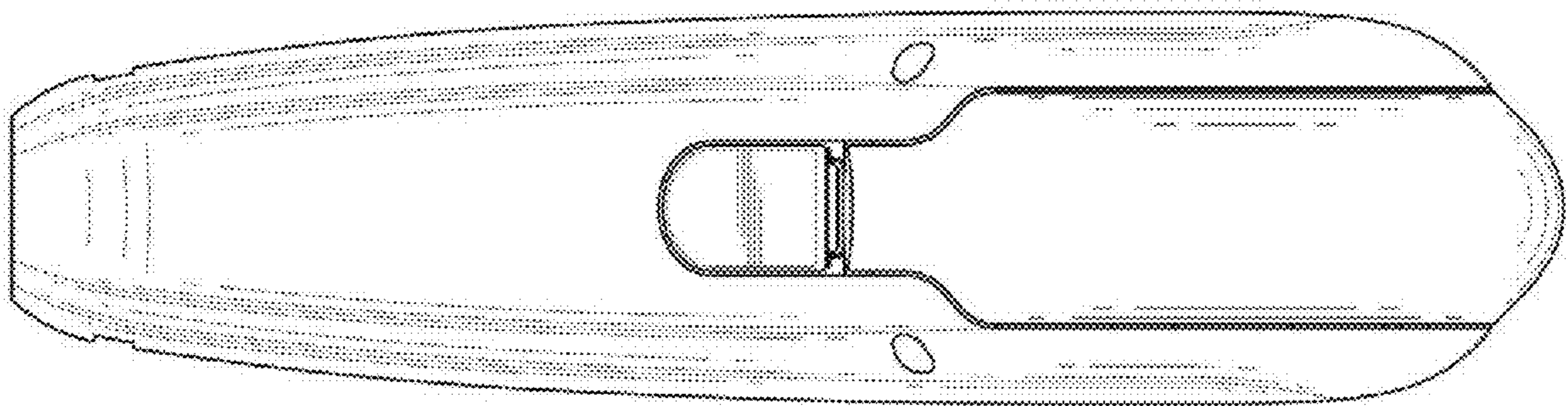
1.1
Perspective



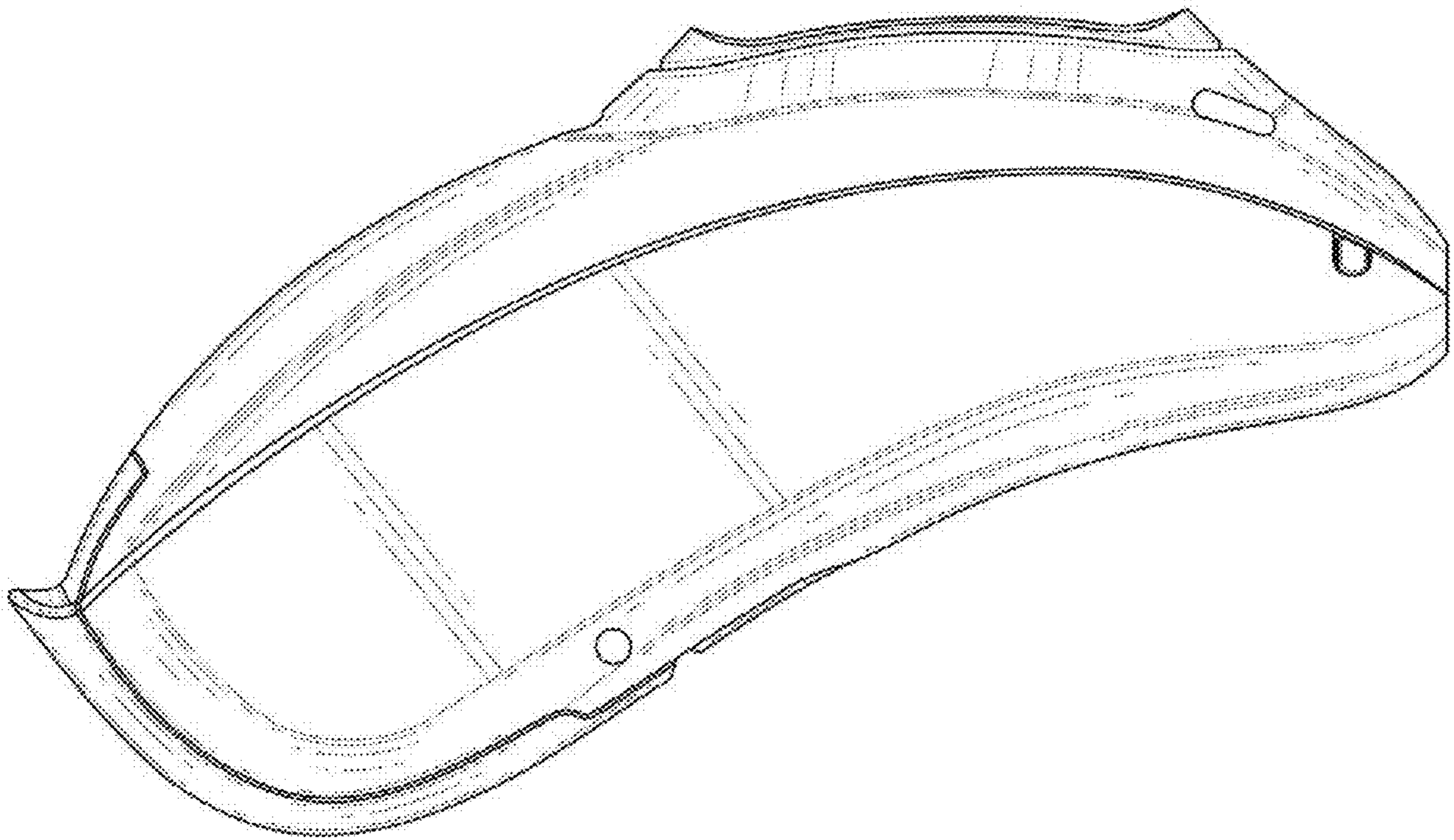
1.2
Top



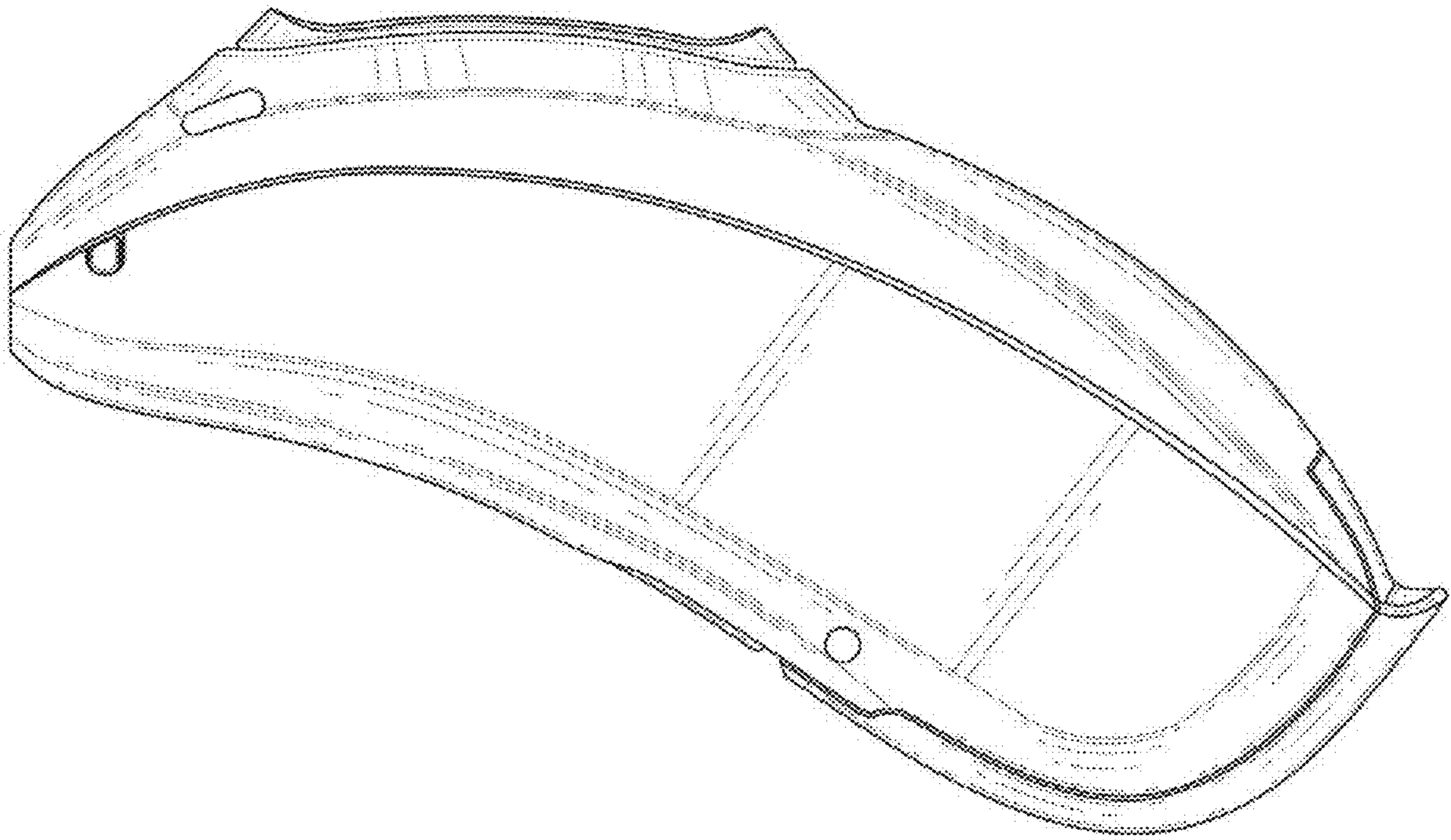
1.3
Bottom



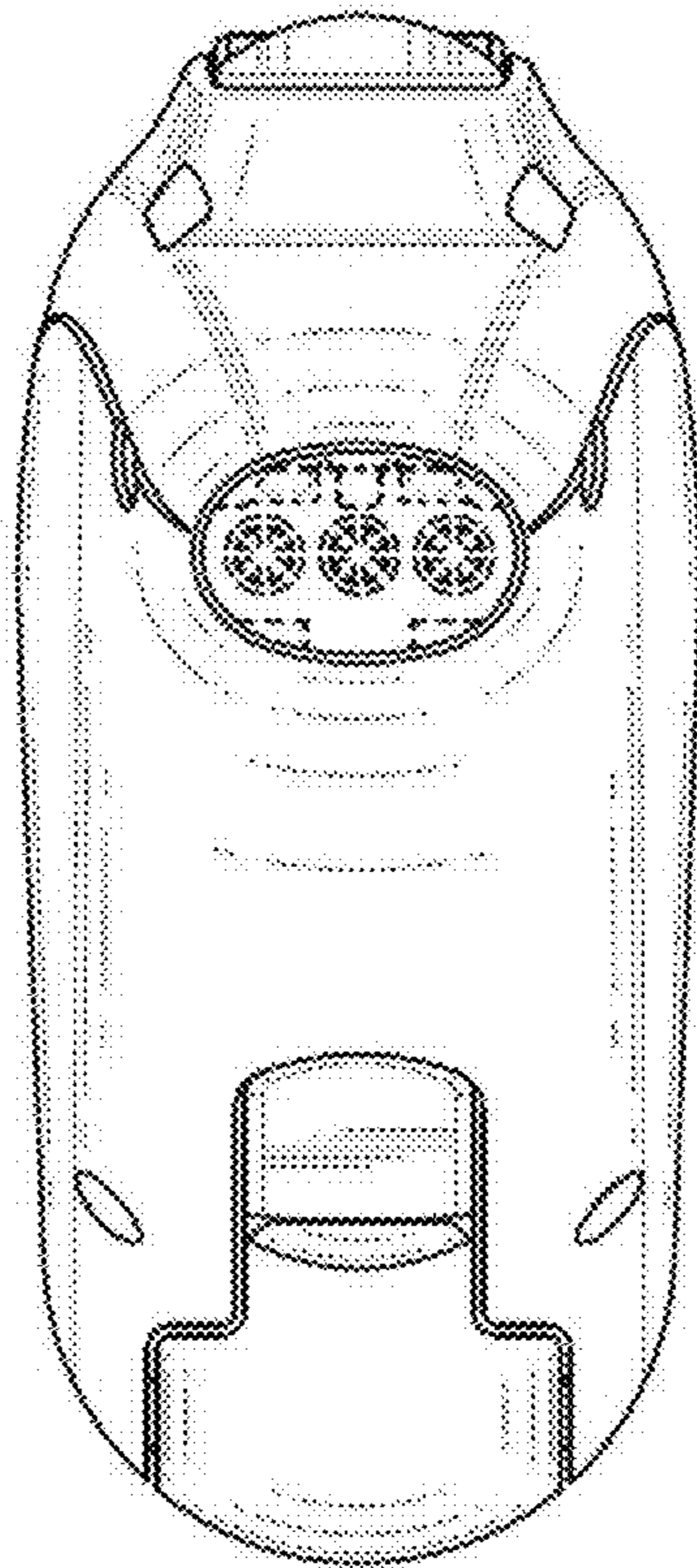
1.4
Left



1.5
Right



1.6
Front



1.7
Back

