



US00D932021S

(12) **United States Design Patent** (10) **Patent No.:** **US D932,021 S**
Fransen et al. (45) **Date of Patent:** **** Sep. 28, 2021**

(54) **RECEIVER**

(71) Applicant: **Sonion Nederland B.V.**, Hoofddorp (NL)

(72) Inventors: **Alwin Fransen**, Hoofddorp (NL); **Aster Marja Katoen**, Hoofddorp (NL); **Dennis Jacobus Mattheus Mocking**, Hoofddorp (NL); **Gerardus Johannes Franciscus Theodorus van der Beek**, Hoofddorp (NL); **Peter Christiaan Post**, Hoofddorp (NL)

(73) Assignee: **Sonion Nederland B.V.**, Hoofddorp (NL)

(**) Term: **15 Years**

(21) Appl. No.: **29/719,537**

(22) Filed: **Jan. 6, 2020**

(51) **LOC (13) Cl.** **24-99**

(52) **U.S. Cl.**
USPC **D24/174**

(58) **Field of Classification Search**
USPC D24/173-175, 186, 231; D14/205, 223, D14/224, 225, 226, 249
CPC H04R 2225/021; H04R 2225/023; H04R 2225/025; H04R 25/604; A45F 5/004; A45F 2005/0516; H01L 23/02; H01Q 7/00; H01Q 13/10; A61B 5/6817
See application file for complete search history.

(56) **References Cited**

U.S. PATENT DOCUMENTS

D541,420 S * 4/2007 Darbut D24/174
D573,588 S * 7/2008 Warren D14/225
D579,567 S * 10/2008 Pedersen D24/174
D603,844 S * 11/2009 Blanchard D14/205
D614,166 S * 4/2010 Brickstad D14/205

D724,227 S * 3/2015 Marcher D24/174
9,980,029 B2 * 5/2018 Vos H04R 1/1075
11,051,107 B2 * 6/2021 Lafort H04R 7/02
2010/0067730 A1 * 3/2010 van Halteren H04R 25/48
381/386
2010/0135513 A1 * 6/2010 Geschiere H04R 1/04
381/322
2020/0085326 A1 * 3/2020 Fransen H04R 25/60
2021/0100508 A1 * 4/2021 Vos A61B 5/6817
2021/0168539 A1 * 6/2021 Stephenson A61B 5/6803

OTHER PUBLICATIONS

Sonion RIC-4400 Data Sheet. Published Oct. 10, 2014. Accessed at <https://www.sonion.com/hearing/ric-assemblies/rics/on> Dec. 17, 2019.

(Continued)

Primary Examiner — Anhdao Doan

(74) *Attorney, Agent, or Firm* — Sterne, Kessler, Goldstein & Fox P.L.L.C.

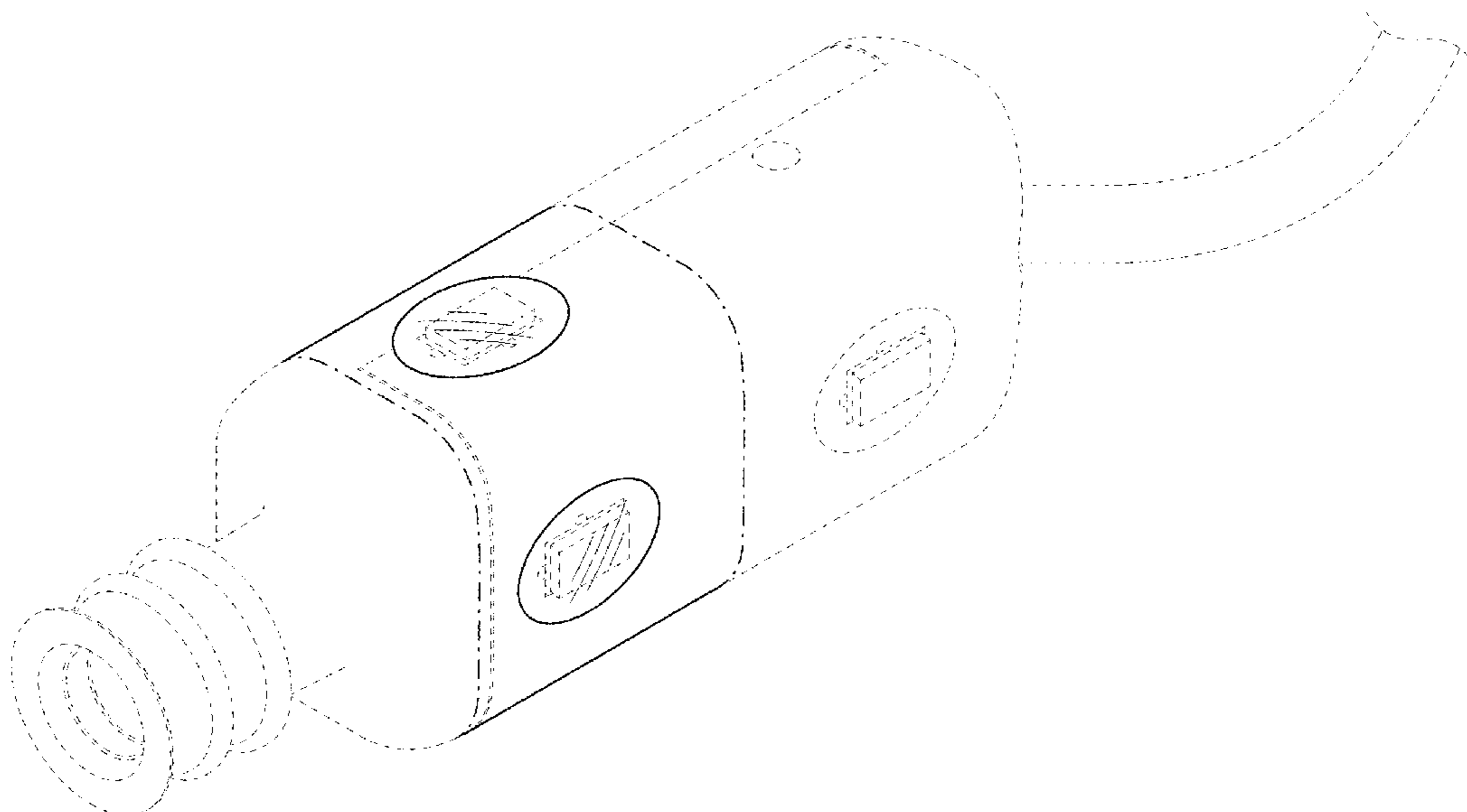
(57) **CLAIM**

The ornamental design for a receiver, as shown and described.

DESCRIPTION

FIG. 1 is a top front perspective view of a receiver showing the claimed design;
FIG. 2 is a bottom front perspective view thereof;
FIG. 3 is a right side view thereof;
FIG. 4 is a left side view thereof;
FIG. 5 is a top view thereof;
FIG. 6 is a bottom view thereof;
FIG. 7 is a front view thereof; and,
FIG. 8 is a rear view thereof.
The dashed broken lines in the figures show portions of the receiver that form no part of the claimed design.
The dot-dash broken lines in the figures show boundaries that form no part of the claimed design.

1 Claim, 5 Drawing Sheets



(56)

References Cited

OTHER PUBLICATIONS

Sonion RIC-E50D Data Sheet. Published Oct. 10, 2014. Accessed at <https://www.sonion.com/hearing/ric-assemblies/rics/on> Dec. 17, 2019.

Sonion RIC-E90D Data Sheet. Published May 31, 2016. Accessed at <https://www.sonion.com/hearing/ric-assemblies/rics/on> Dec. 17, 2019.

* cited by examiner

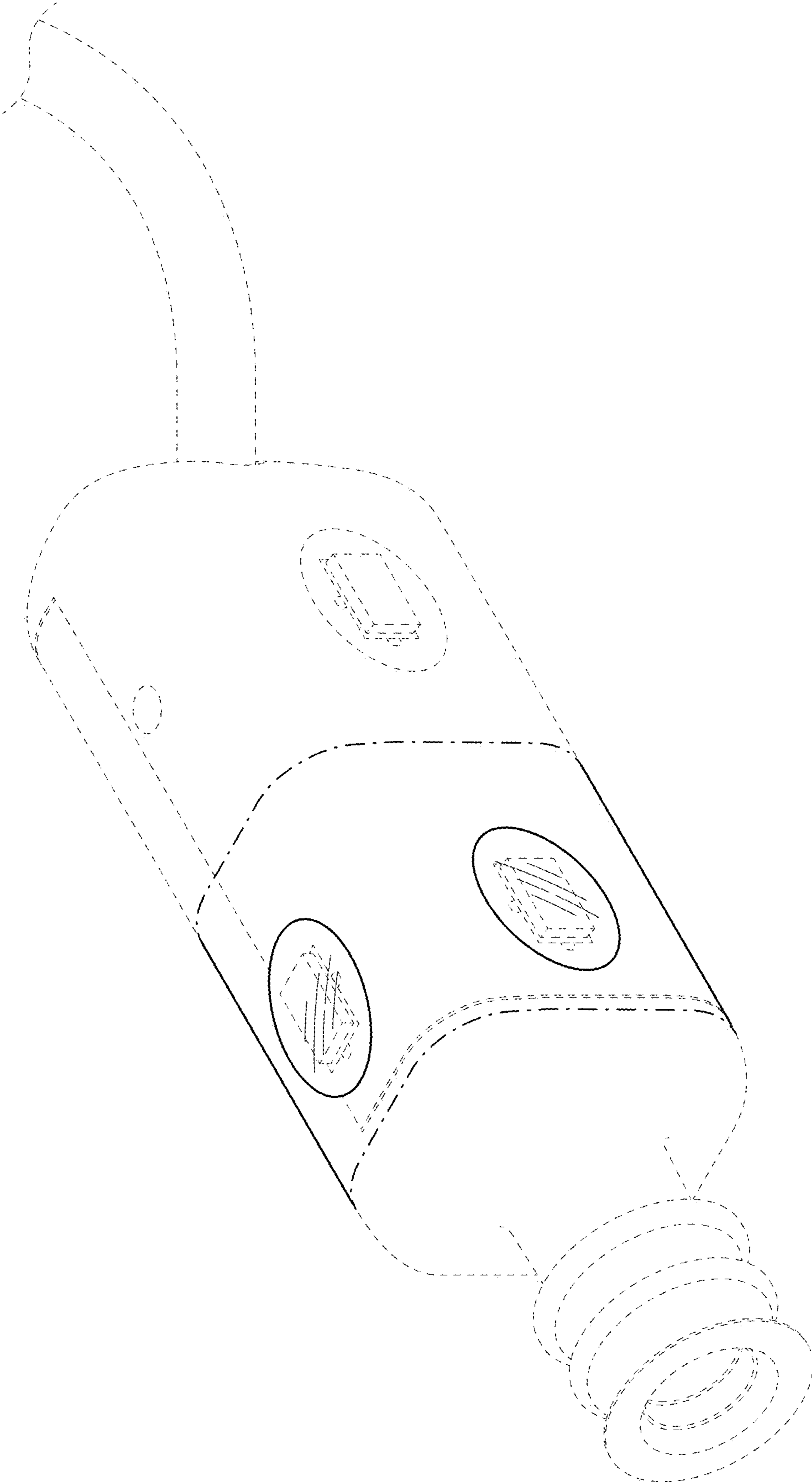


FIG. 1

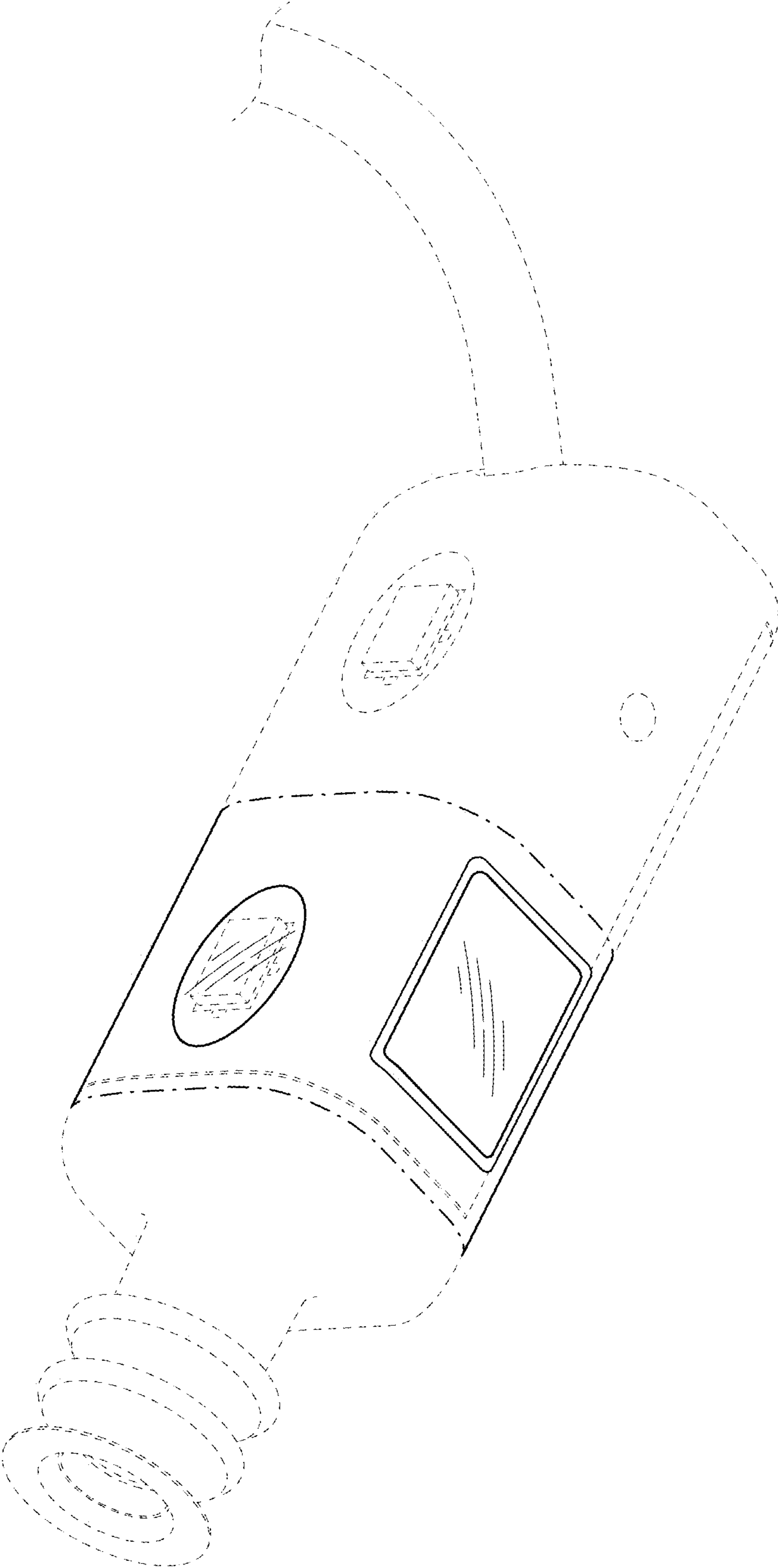


FIG. 2

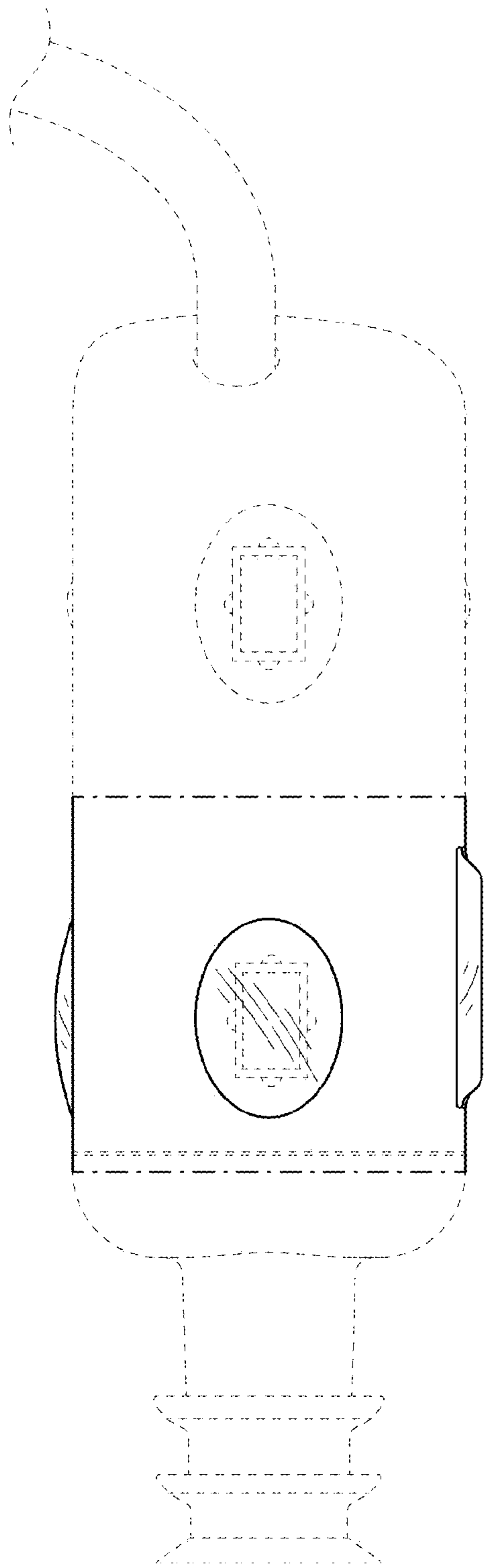


FIG. 3

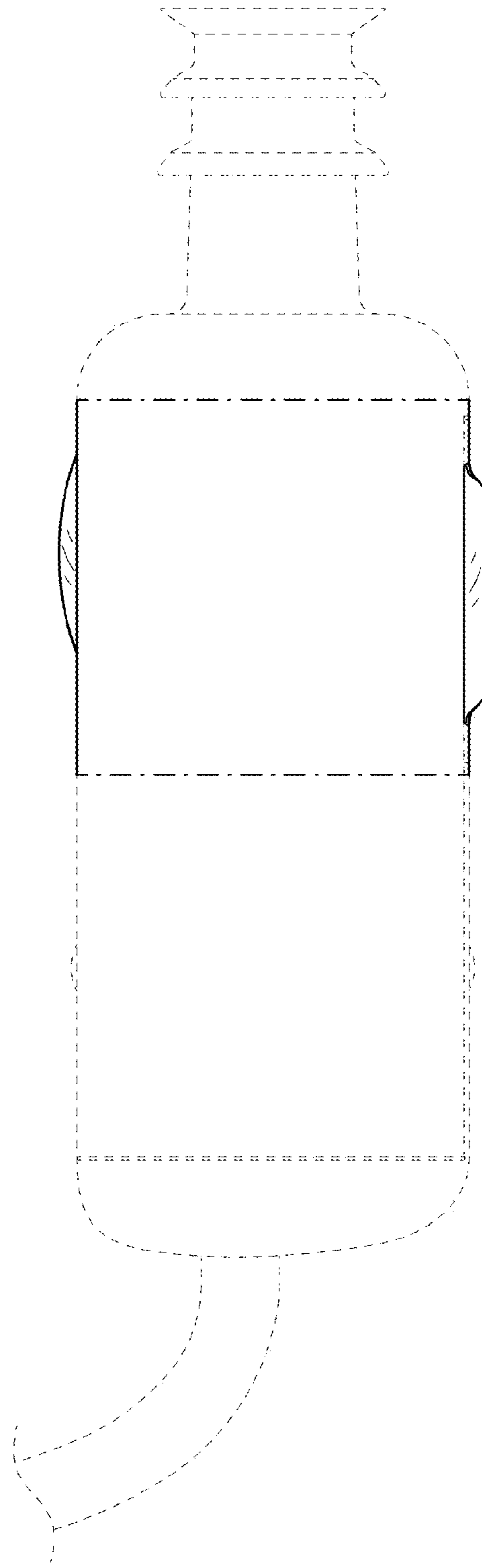


FIG. 4

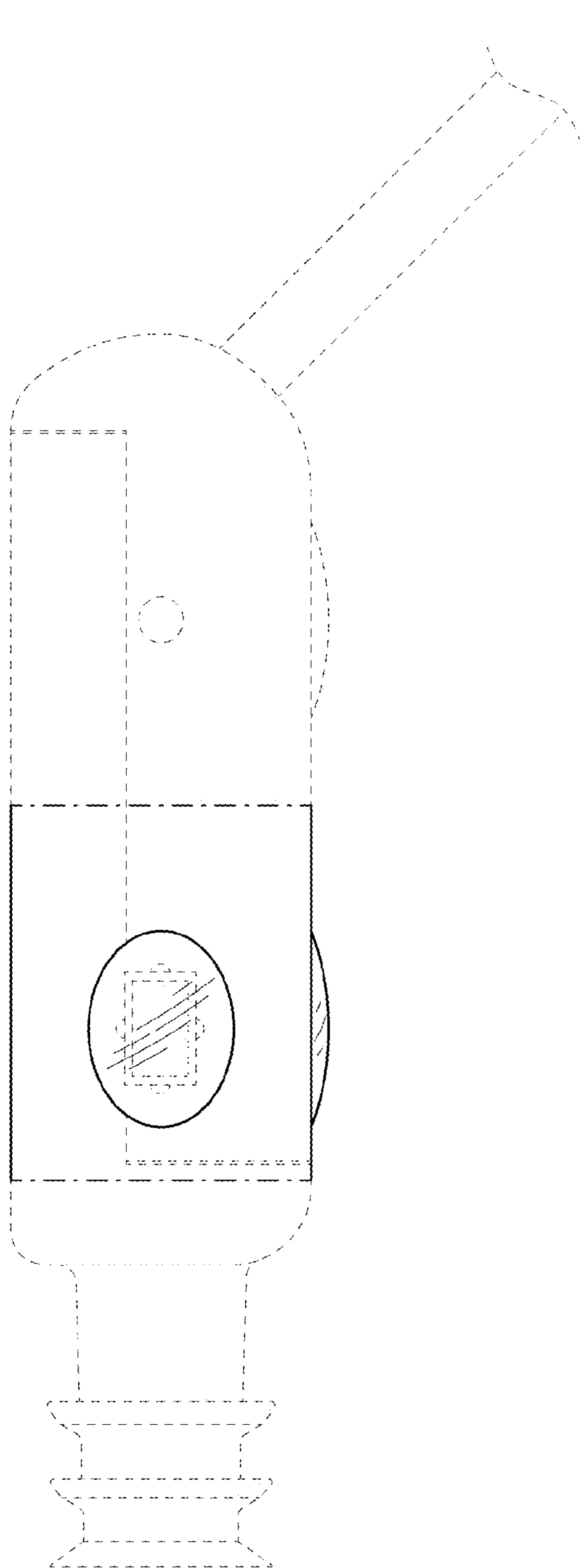


FIG. 5

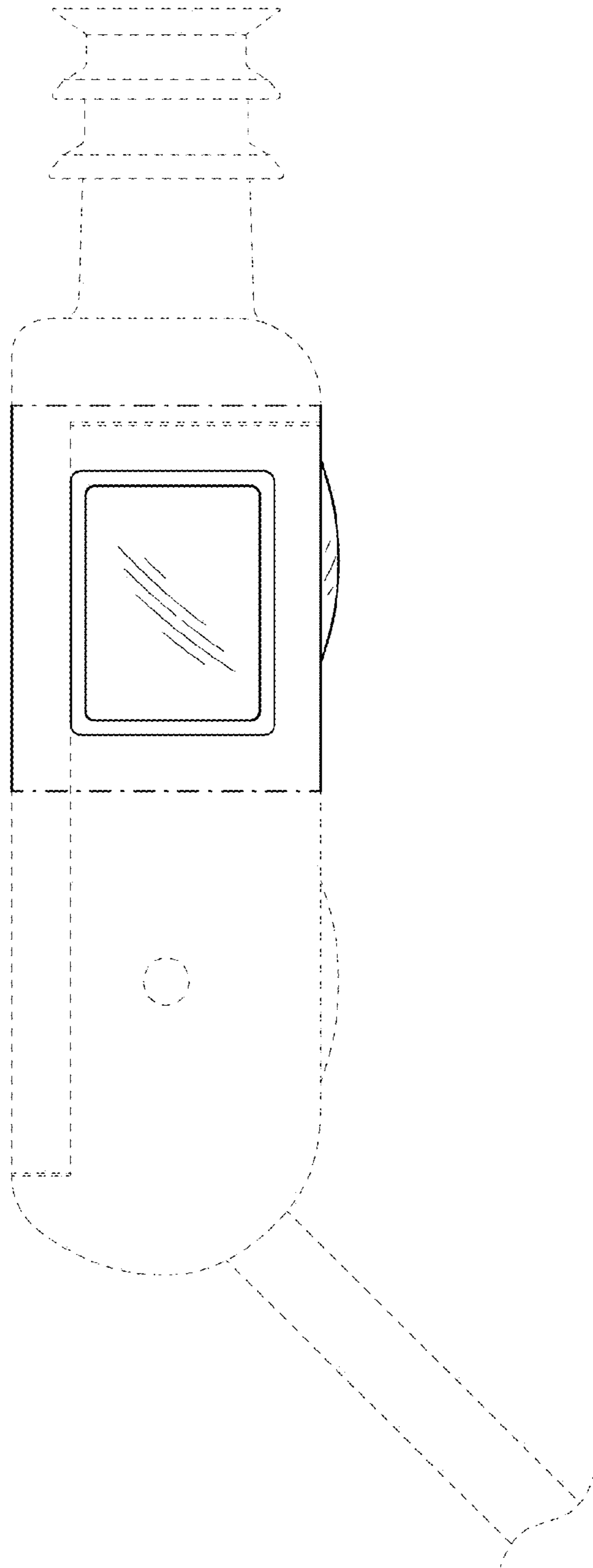


FIG. 6

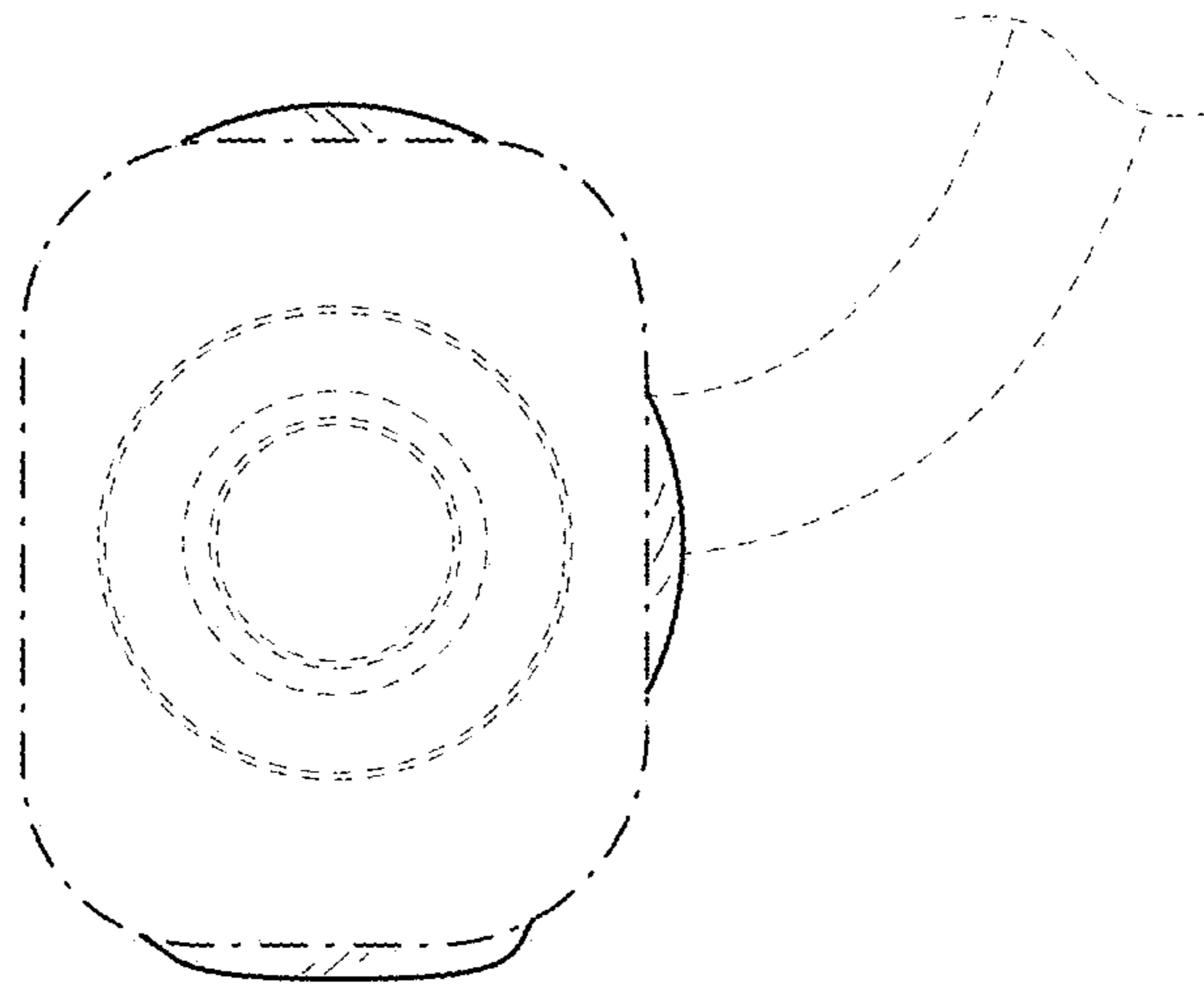


FIG. 7

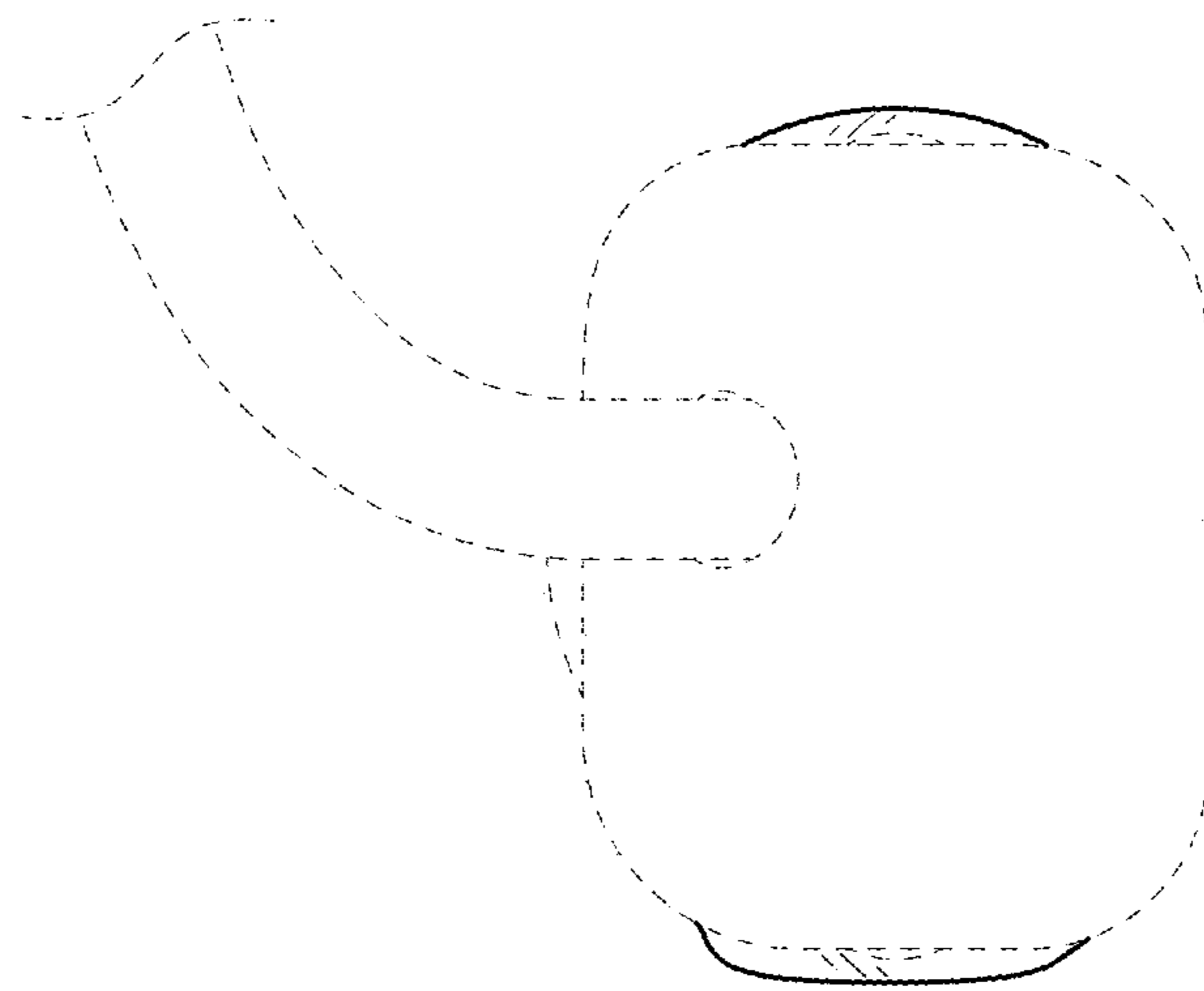


FIG. 8