



US00D932018S

(12) **United States Design Patent** (10) **Patent No.:** **US D932,018 S**  
**Lam et al.** (45) **Date of Patent:** **\*\* Sep. 28, 2021**

(54) **ELECTROCARDIOGRAPHY DEVICE**  
(71) Applicant: **Quanta Computer Inc.**, Taoyuan (TW)  
(72) Inventors: **Barry Lam**, Taoyuan (TW);  
**Chia-Yuan Chang**, Taoyuan (TW);  
**Jung-Wen Chang**, Taoyuan (TW);  
**Kao-Yu Hsu**, Taoyuan (TW)  
(73) Assignee: **QUANTA COMPUTER INC.**,  
Taoyuan (TW)

(\*\*) Term: **15 Years**  
(21) Appl. No.: **29/756,068**  
(22) Filed: **Oct. 26, 2020**

(30) **Foreign Application Priority Data**  
Sep. 25, 2020 (TW) ..... 109305401  
(51) **LOC (13) Cl.** ..... **24-01**  
(52) **U.S. Cl.**  
USPC ..... **D24/167**  
(58) **Field of Classification Search**  
USPC ..... D24/107, 164–167, 186, 187, 134;  
D10/75  
CPC . A61B 5/0402; A61B 5/0404; A61B 5/04085;  
A61B 5/0416; A61B 5/0432; A61B  
5/044; A61B 5/6805; A61B 5/6823; A61B  
2560/0412; A61B 2560/0462; A61B 7/02;  
A61B 7/04; A61B 7/003; A61B 7/026  
See application file for complete search history.

(56) **References Cited**  
U.S. PATENT DOCUMENTS  
D635,667 S \* 4/2011 Soerensen ..... D24/134  
9,301,032 B1 \* 3/2016 Bello ..... A61B 7/003

D865,167 S \* 10/2019 Kirgizov ..... D24/134  
D866,758 S \* 11/2019 Chen ..... D24/134  
D890,347 S \* 7/2020 Chang ..... D24/167  
D890,348 S \* 7/2020 Lam ..... D24/167  
D914,218 S \* 3/2021 Govari ..... D24/186  
2019/0015004 A1 \* 1/2019 Maurizi ..... A61B 5/332  
2020/0069203 A1 \* 3/2020 Chang ..... A61B 5/30  
2020/0289083 A1 \* 9/2020 Ogawa ..... A61B 7/02  
2020/0352510 A1 \* 11/2020 Dhillon ..... A61B 5/1491

\* cited by examiner  
*Primary Examiner* — Anhdao Doan  
(74) *Attorney, Agent, or Firm* — McClure, Qualey &  
Rodack, LLP

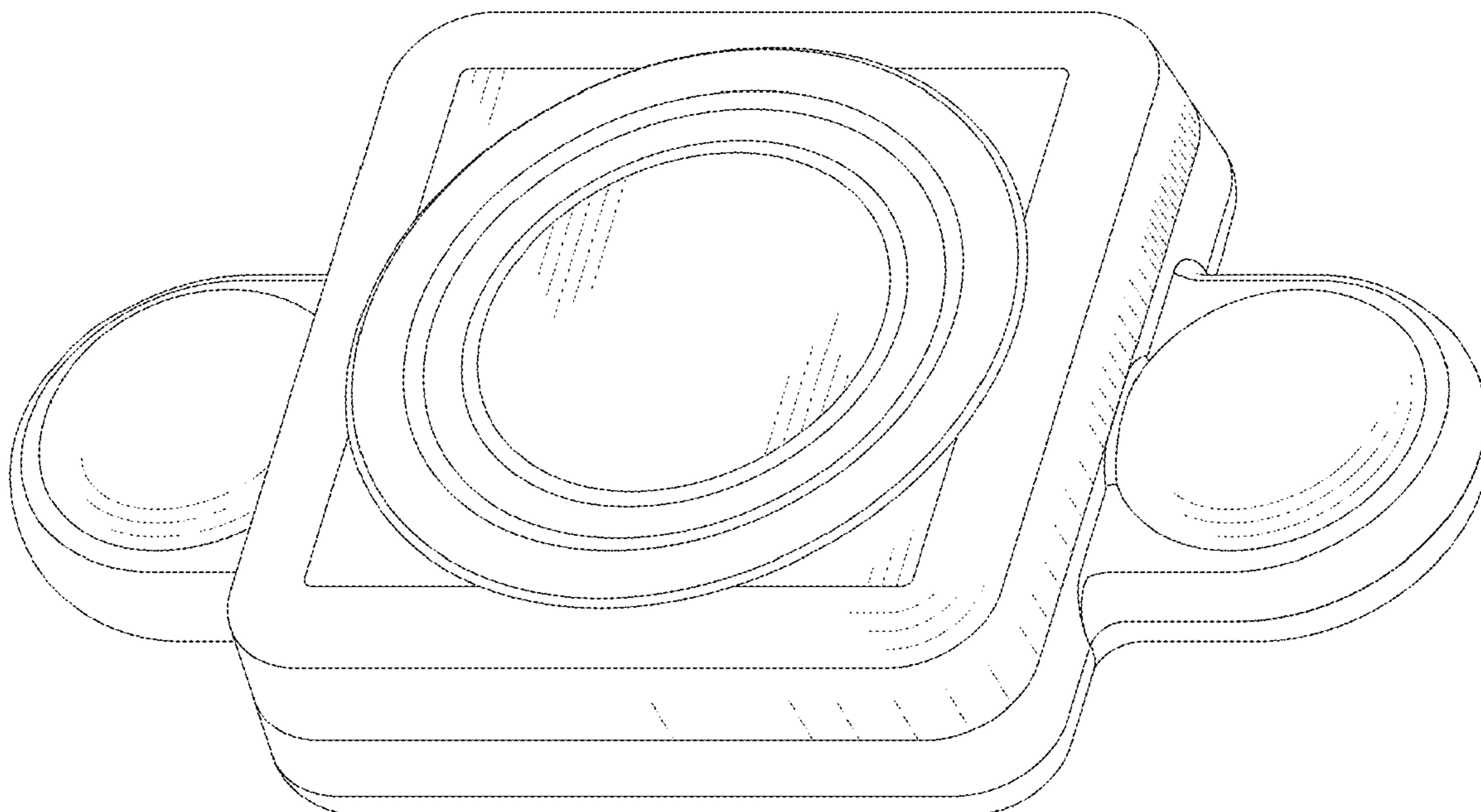
(57) **CLAIM**

The ornamental design for an electrocardiography device, as shown and described.

**DESCRIPTION**

FIG. 1 is a front, right, bottom perspective view of an electrocardiography device, showing our new design; FIG. 2 is a rear, right, top perspective view thereof; FIG. 3 is a front view thereof; FIG. 4 is a rear view thereof; FIG. 5 is a left side view thereof; FIG. 6 is a right side view thereof; FIG. 7 is a top plan view thereof; FIG. 8 is a bottom plan view thereof; and, FIG. 9 is a perspective view thereof in an environment in which the electrocardiography device is disposed on a charger. In FIG. 9, the broken lines depict environmental structure that forms no part of the claimed design.

**1 Claim, 9 Drawing Sheets**



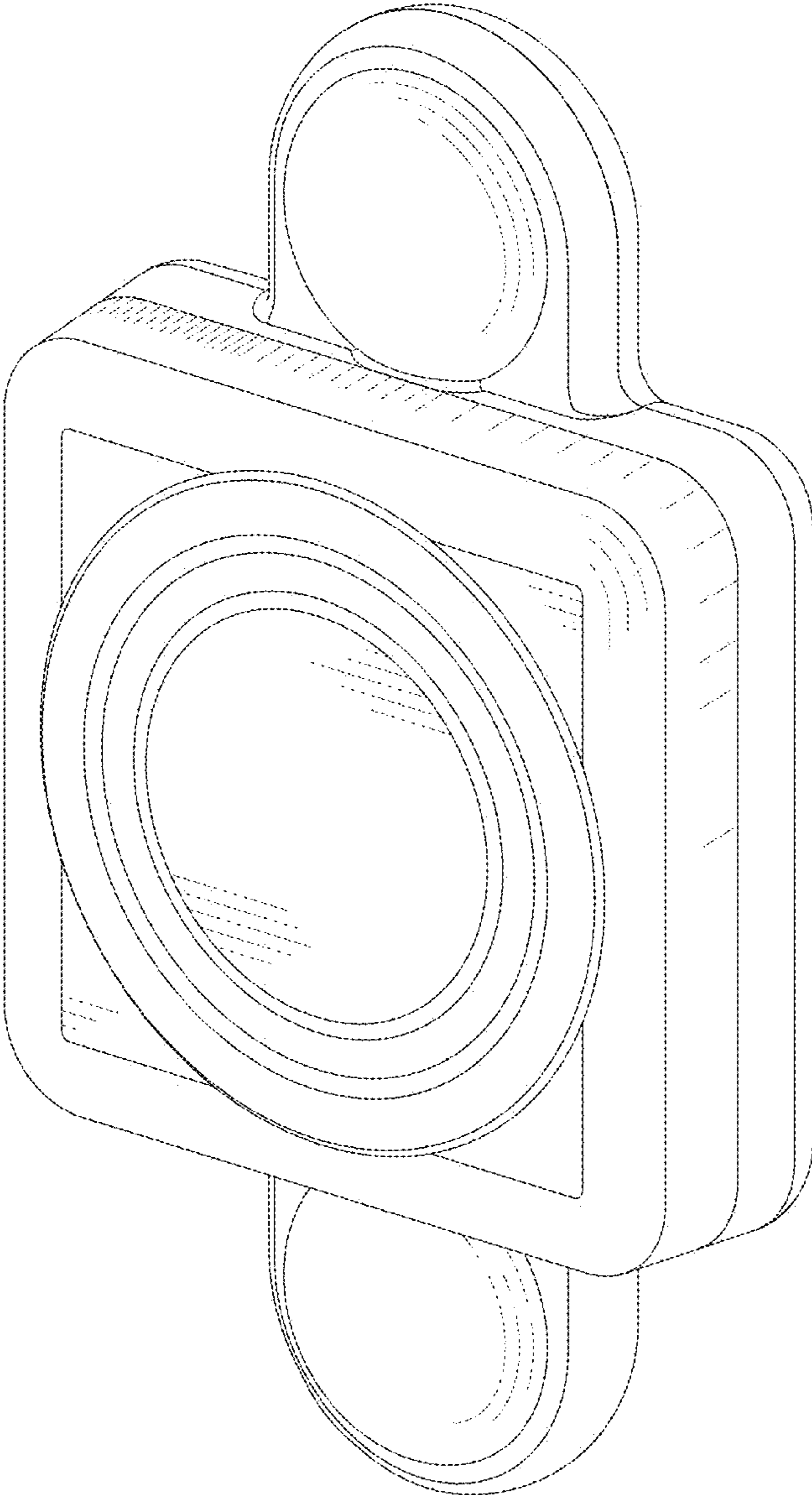


FIG. 1

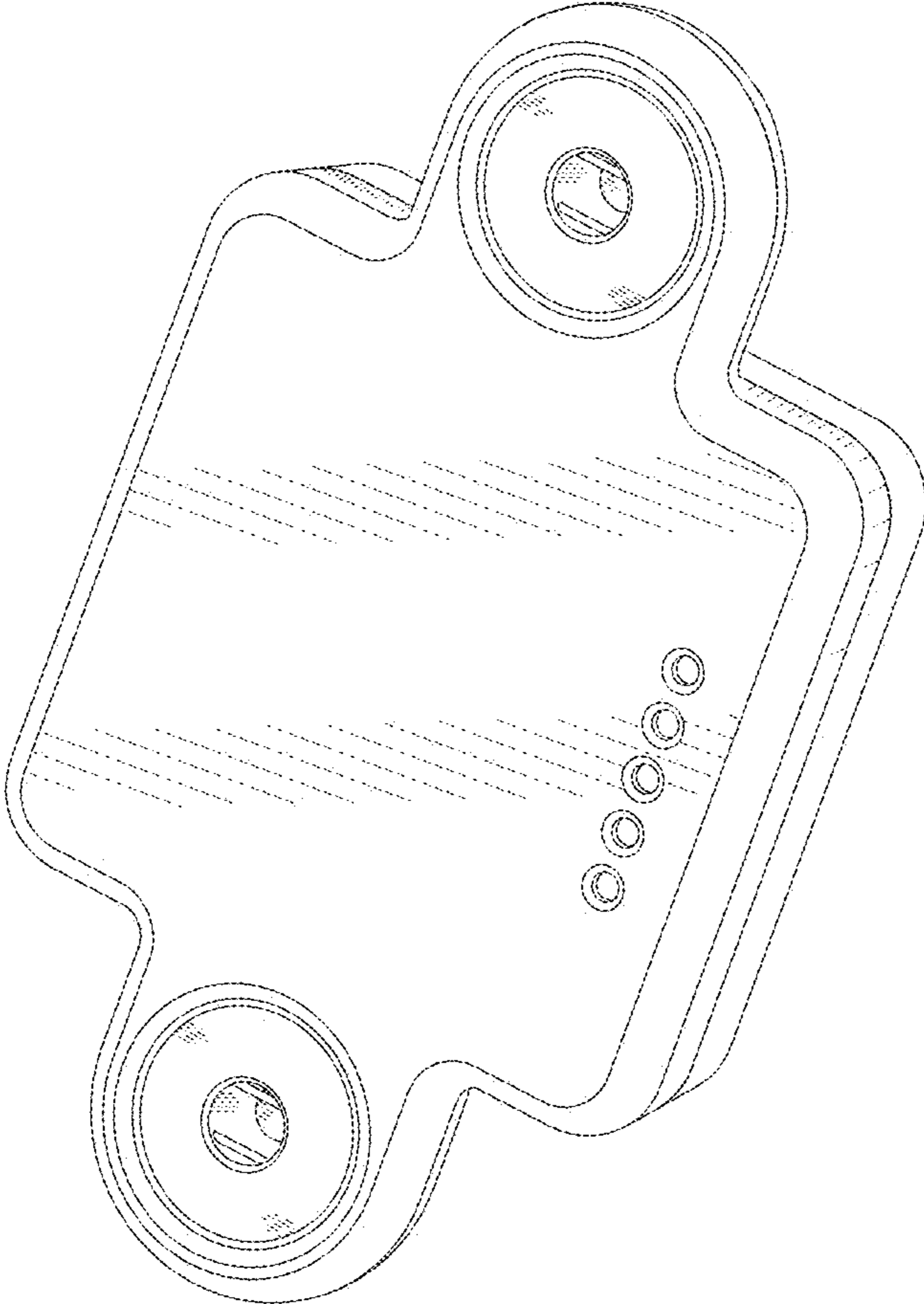


FIG. 2

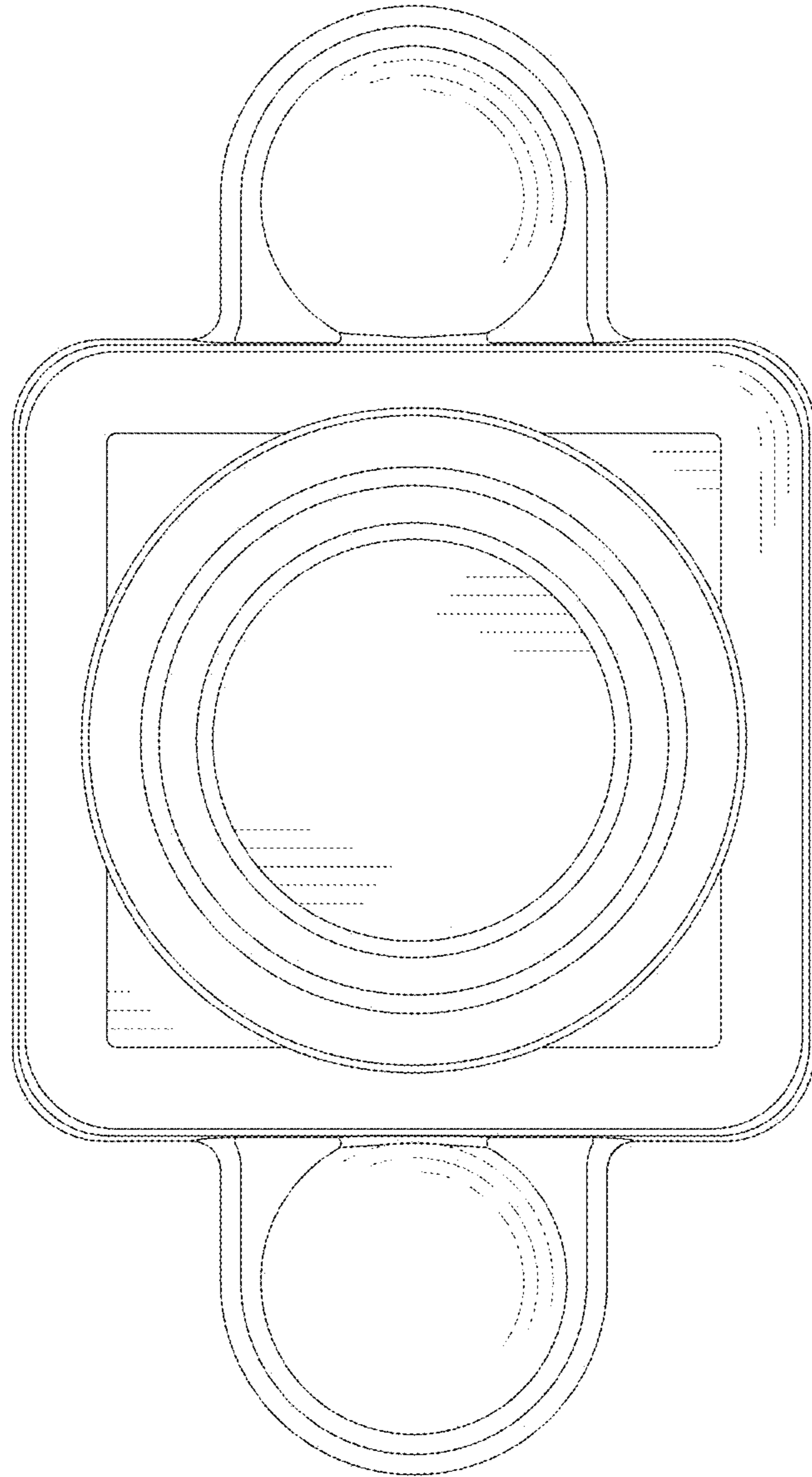


FIG. 3

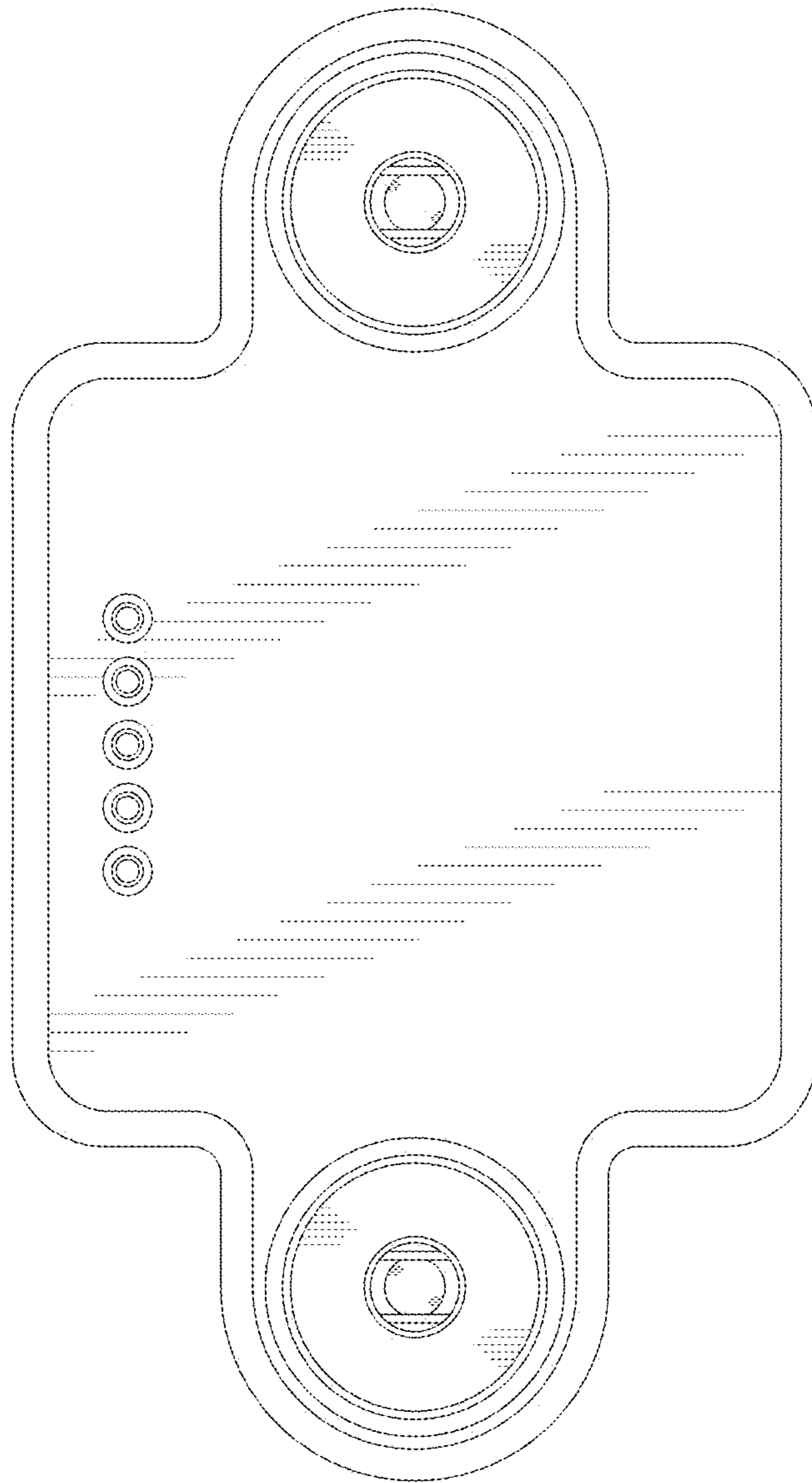


FIG. 4

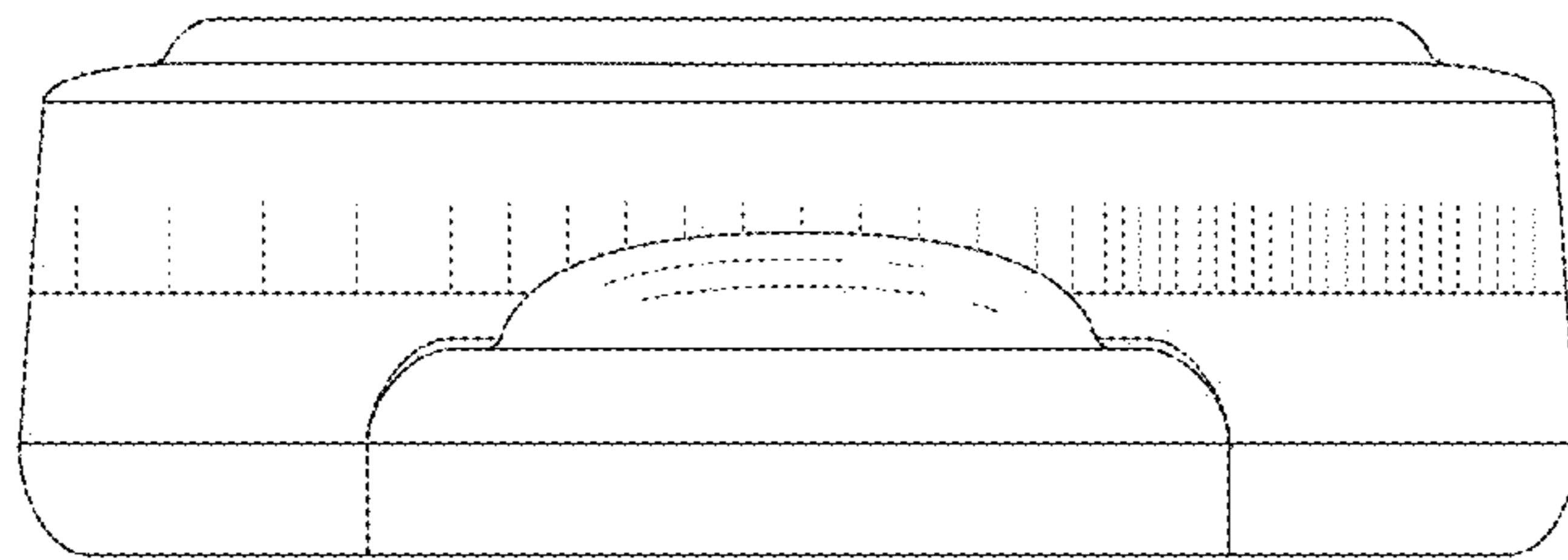


FIG. 5

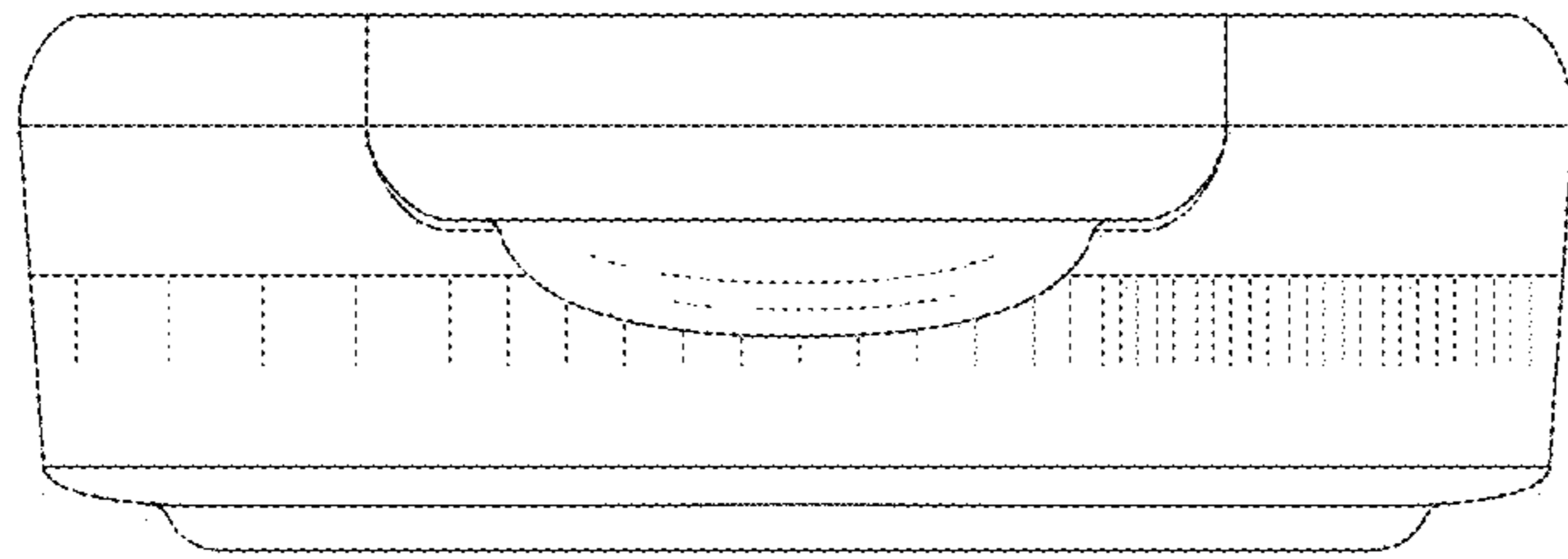


FIG. 6

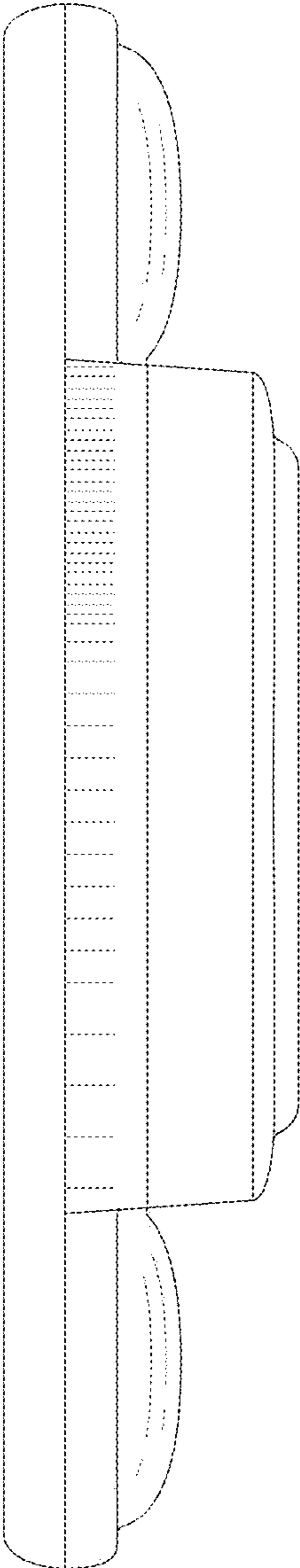


FIG. 7



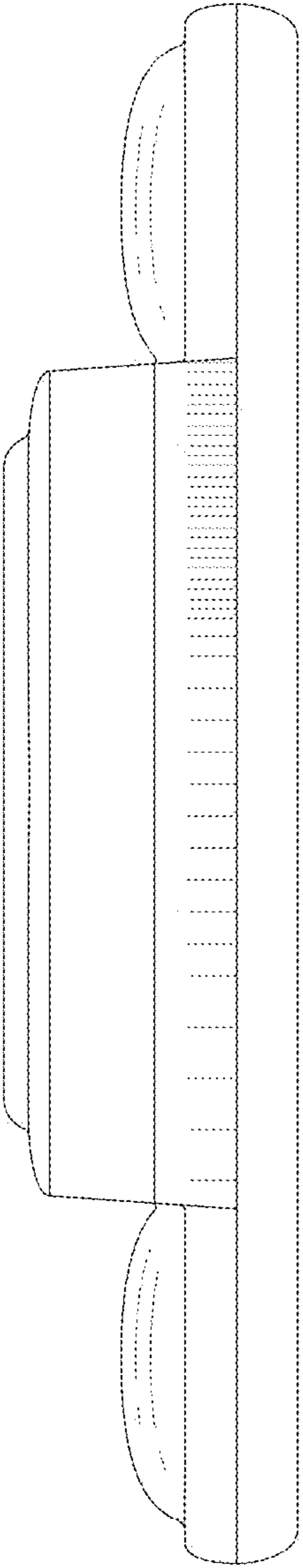


FIG. 8

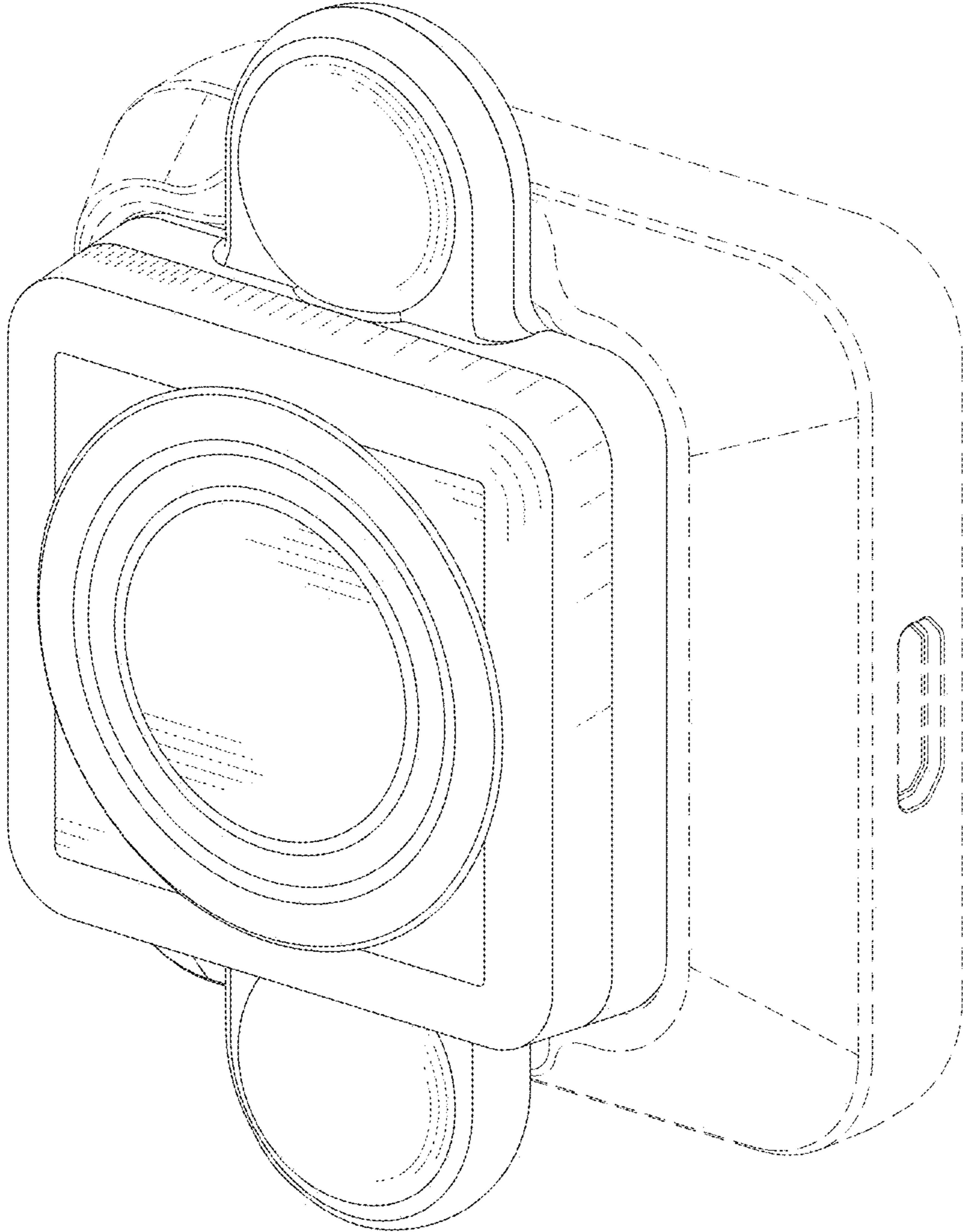


FIG. 9