

US00D932016S

(12) **United States Design Patent**
Lam et al.

(10) **Patent No.:** **US D932,016 S**

(45) **Date of Patent:** **** Sep. 28, 2021**

(54) **HAND-HELD ELECTROCARDIOGRAM MEASURING DEVICE**

(71) Applicant: **Quanta Computer Inc.**, Taoyuan (TW)

(72) Inventors: **Barry Lam**, Taoyuan (TW);
Chia-Yuan Chang, Taoyuan (TW);
Jung-Wen Chang, Taoyuan (TW);
Tung-Han Lee, Taoyuan (TW)

(73) Assignee: **QUANTA COMPUTER INC.**,
Taoyuan (TW)

(**) Term: **15 Years**

(21) Appl. No.: **29/739,081**

(22) Filed: **Jun. 22, 2020**

(30) **Foreign Application Priority Data**

Feb. 20, 2020 (TW) 109300793

(51) **LOC (13) Cl.** **24-01**

(52) **U.S. Cl.**
USPC **D24/167**

(58) **Field of Classification Search**
USPC D24/107, 164–167, 186, 187, 134;
D10/75

CPC . A61B 5/0402; A61B 5/0404; A61B 5/04085;
A61B 5/0416; A61B 5/0432; A61B
5/044; A61B 5/6805; A61B 5/6823; A61B
2560/0412; A61B 2560/0462; A61B 7/02;
A61B 7/04; A61B 7/003; A61B 7/026

See application file for complete search history.

(56) **References Cited**

U.S. PATENT DOCUMENTS

D744,109 S * 11/2015 Yoneta D24/186
D787,066 S * 5/2017 Kim D24/167

D800,313 S * 10/2017 Chang D24/167
D830,556 S * 10/2018 Sebban D24/167
D850,626 S * 6/2019 Gardner D24/186
D890,346 S * 7/2020 Lam D24/167
D890,347 S * 7/2020 Chang D24/167
D895,118 S * 9/2020 Hwang D24/167
D914,218 S * 3/2021 Govari D24/186
2016/0120434 A1 * 5/2016 Park A61B 5/4839
600/301
2019/0150739 A1 * 5/2019 Wawro A61B 5/259
2020/0054292 A1 * 2/2020 Govari A61B 5/6802
2020/0069203 A1 * 3/2020 Chang A61B 5/30

* cited by examiner

Primary Examiner — Anhdao Doan

(74) *Attorney, Agent, or Firm* — McClure, Qualey &
Rodack, LLP

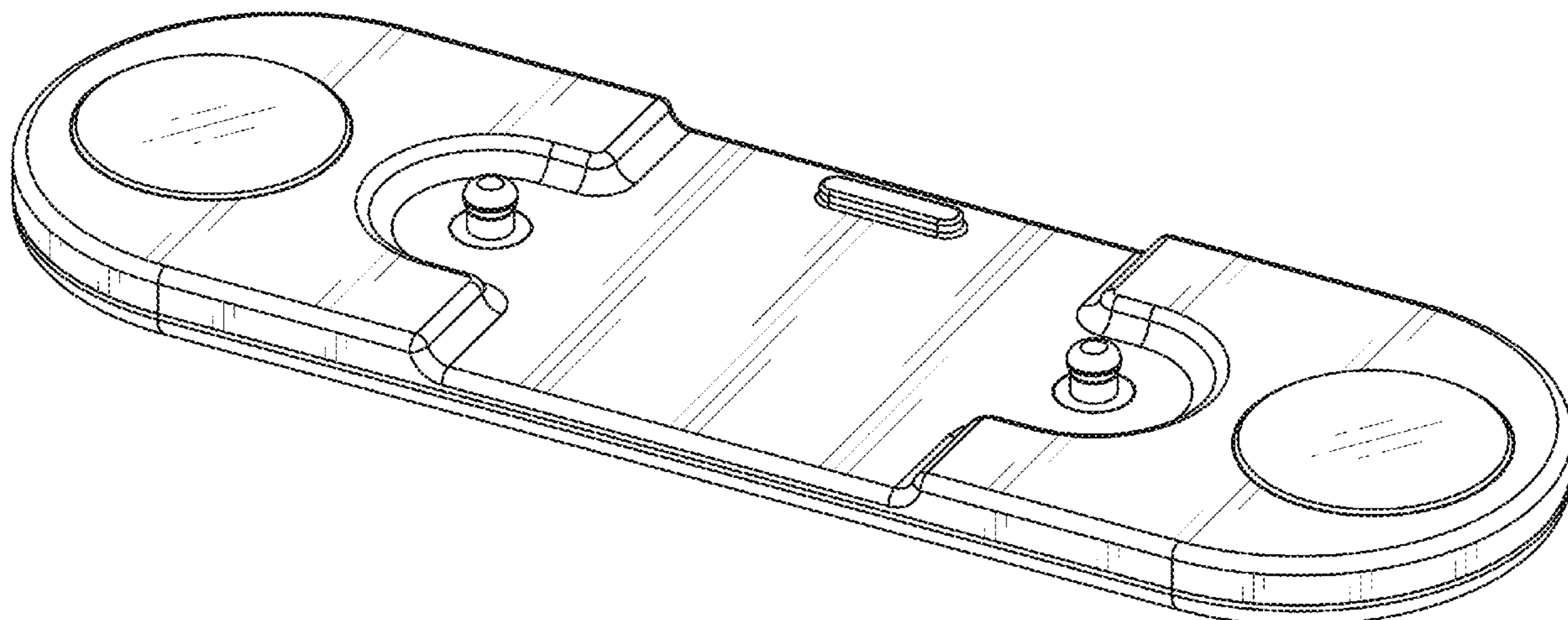
(57) **CLAIM**

The ornamental design for a hand-held electrocardiogram measuring device, as shown and described.

DESCRIPTION

FIG. 1 is a front perspective view of a hand-held electrocardiogram measuring device, in accordance with our new and ornamental design;
FIG. 2 is a front view thereof;
FIG. 3 is a rear view thereof;
FIG. 4 is a left side view thereof;
FIG. 5 is a right side view thereof;
FIG. 6 is a top plan view thereof;
FIG. 7 is a bottom plan view thereof; and,
FIG. 8 is a bottom perspective view thereof.

1 Claim, 8 Drawing Sheets



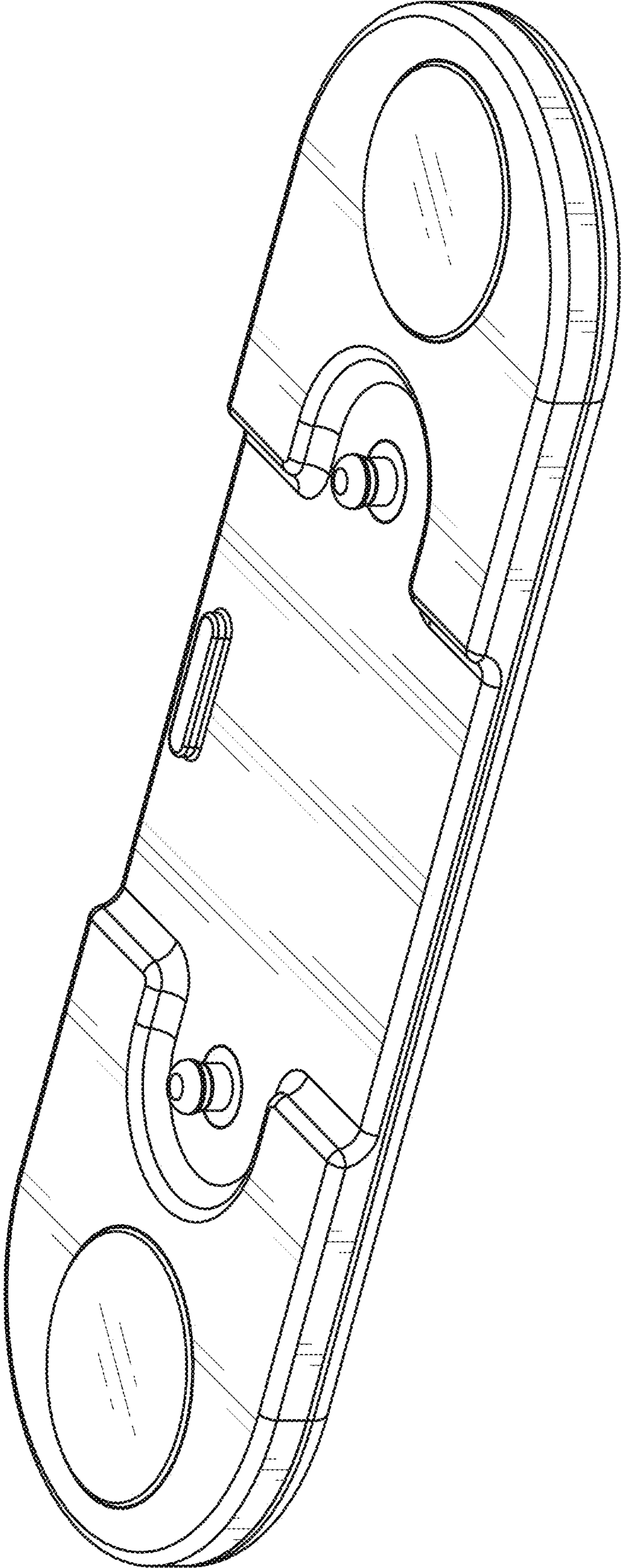


FIG. 1

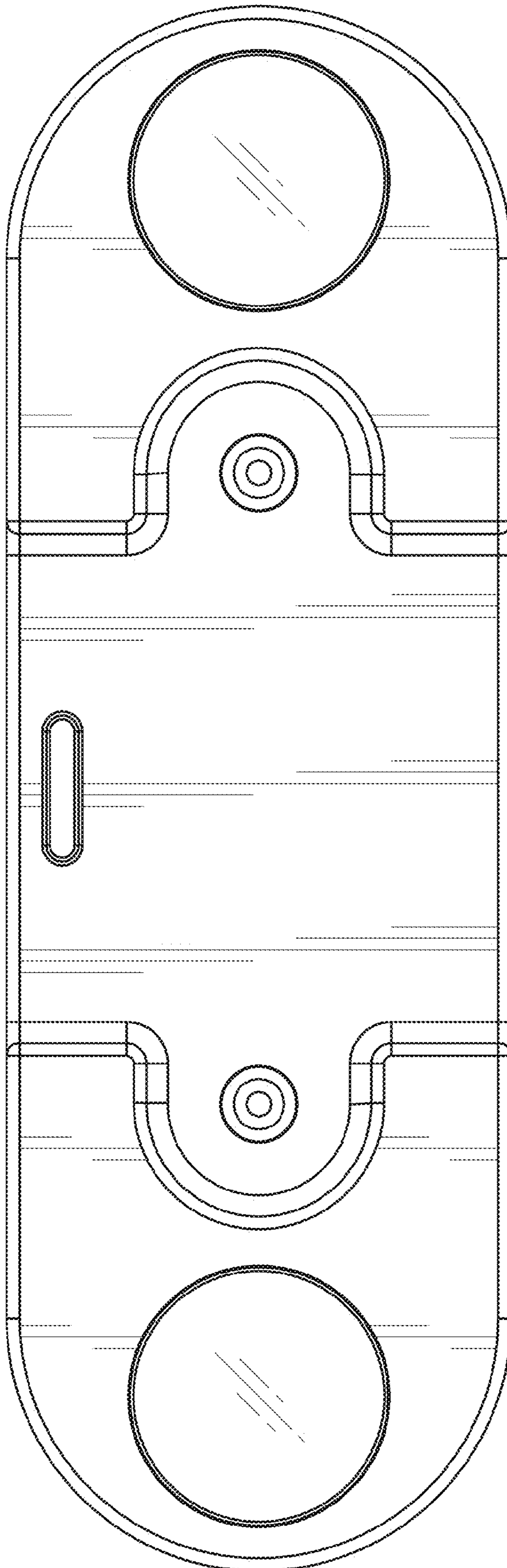


FIG. 2

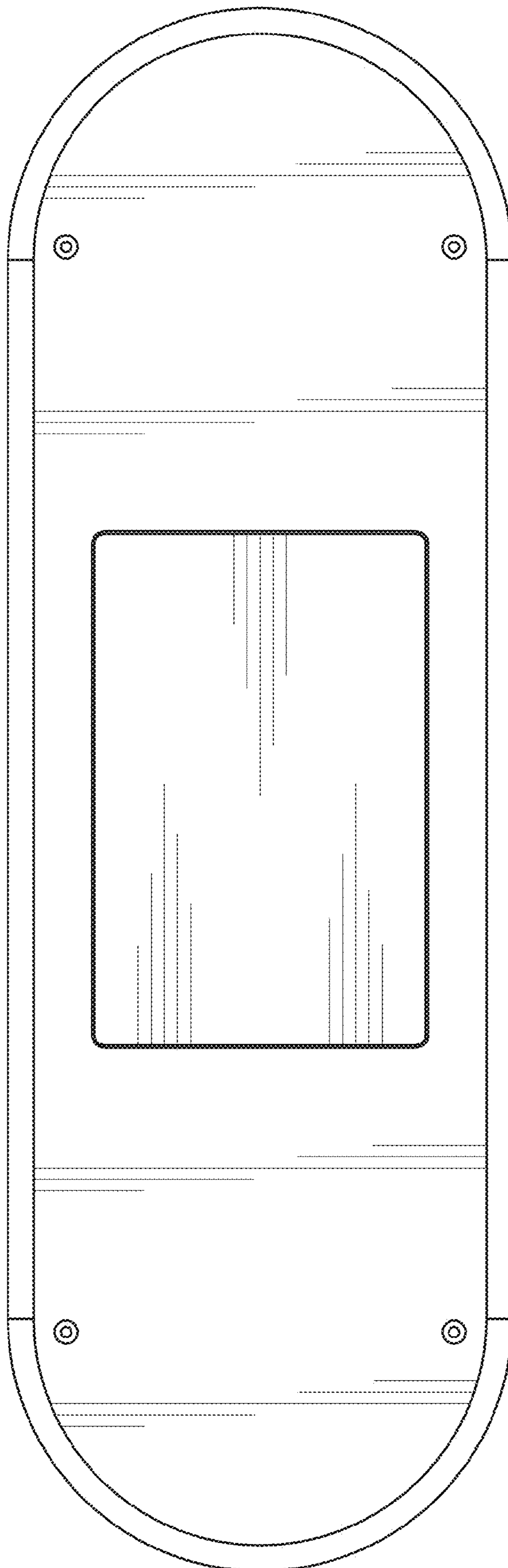


FIG. 3

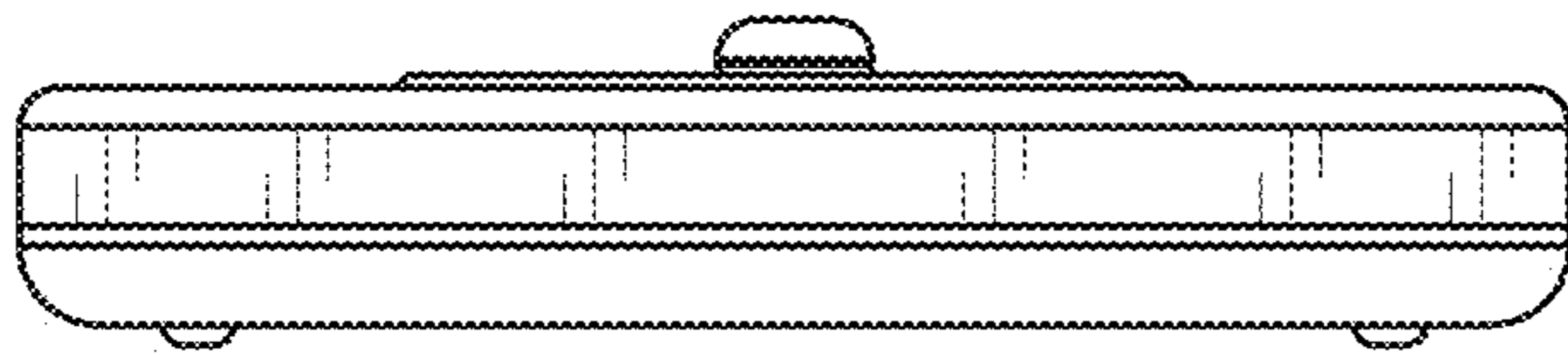


FIG. 4

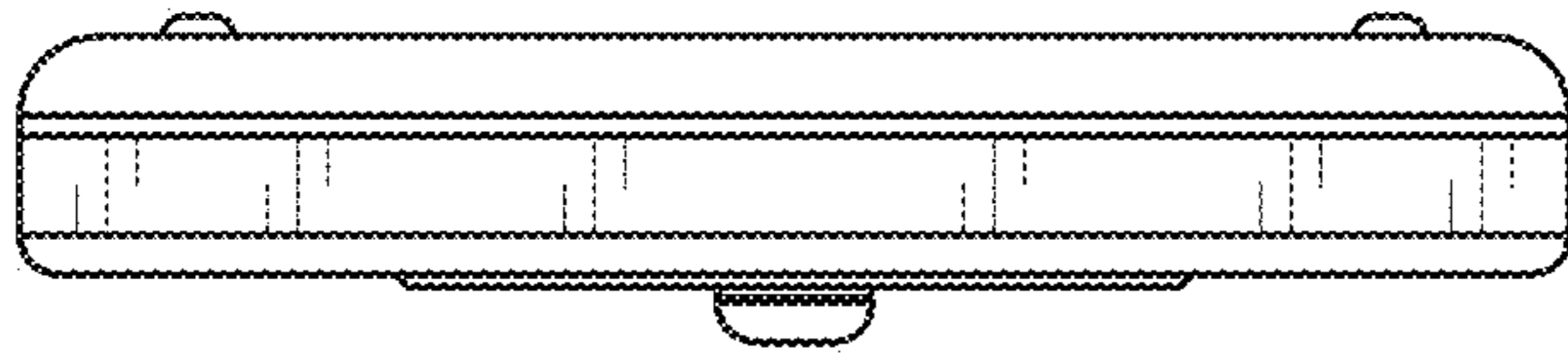


FIG. 5

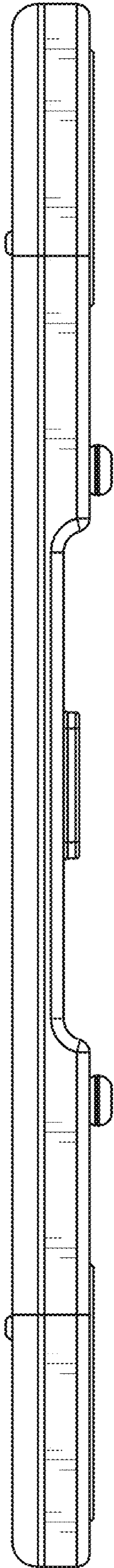


FIG. 6

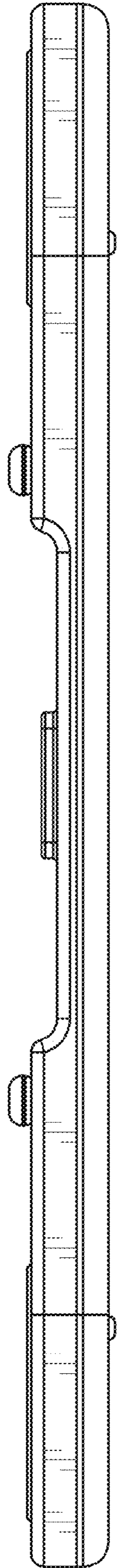


FIG. 7

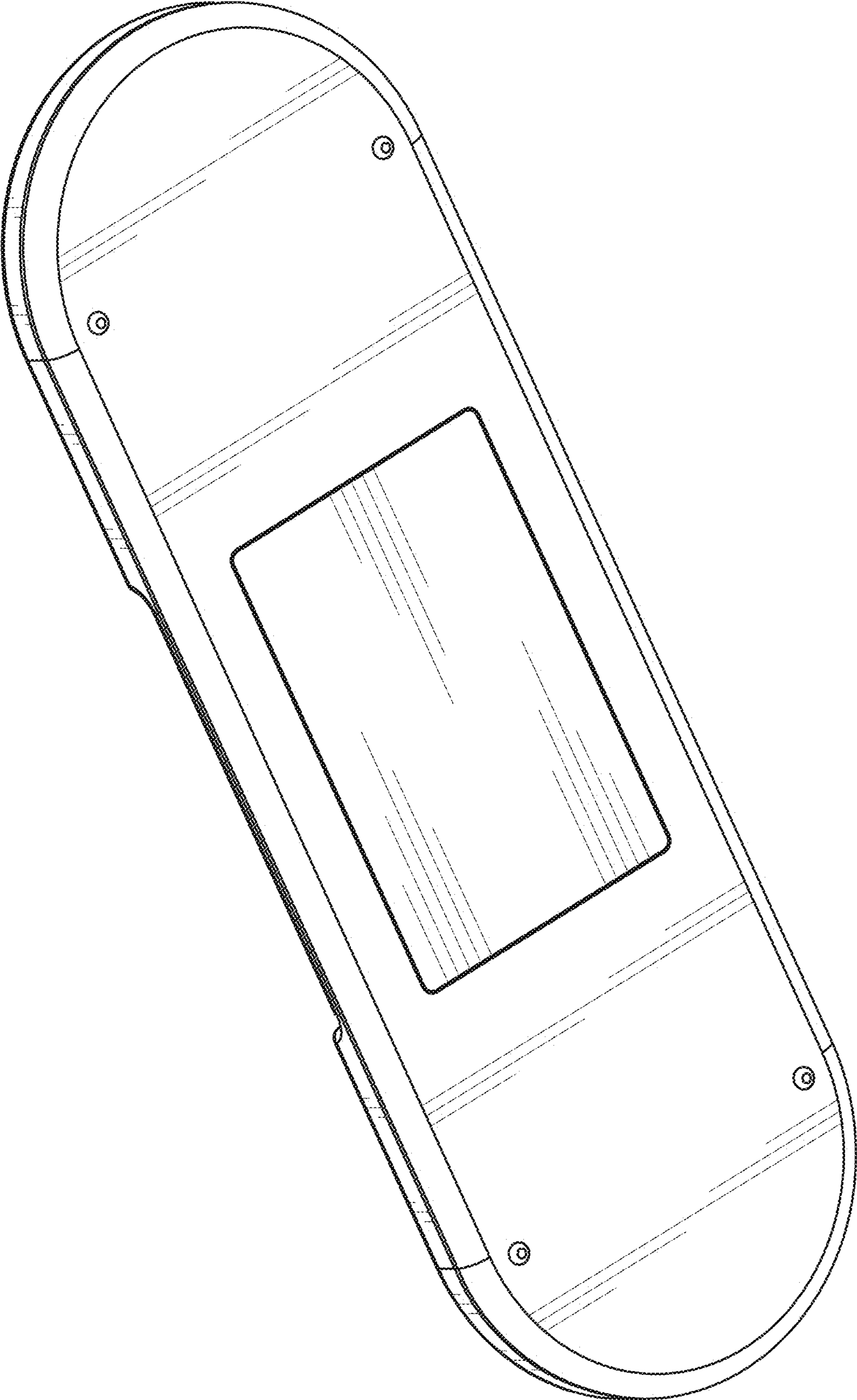


FIG. 8