



US00D932015S

(12) **United States Design Patent** (10) **Patent No.:** **US D932,015 S**
Frank et al. (45) **Date of Patent:** **** Sep. 28, 2021**

- (54) **NASAL FILTER** 4,030,491 A * 6/1977 Mattila A62B 23/06
128/206.11
- (71) Applicant: **Resprana, Inc.**, New York, NY (US) D251,017 S 2/1979 Amezcua
4,220,150 A * 9/1980 King A62B 23/06
128/206.11
- (72) Inventors: **Sophie Frank**, San Francisco, CA (US);
Andrea McDonald, New York, NY
(US); **Sukanya Goswami**, Brooklyn,
NY (US); **Micah Steiger**, New York,
NY (US); **Jai Rathore**, Brooklyn, NY
(US); **Marc Vivant**, New York, NY
(US) 4,327,719 A * 5/1982 Childers A62B 23/06
128/203.22
4,706,663 A * 11/1987 Makiej A61M 15/00
128/200.18
D330,761 S 11/1992 Falco
D335,921 S * 5/1993 Brake D23/365
5,417,205 A * 5/1995 Wang A62B 23/06
128/204.12
5,425,359 A * 6/1995 Liou A62B 23/06
128/206.11
- (73) Assignee: **RESPRANA, INC.**, New York, NY
(US)

(Continued)

(**) Term: **15 Years**

FOREIGN PATENT DOCUMENTS

(21) Appl. No.: **29/646,911**

EP 3178525 6/2017
FR 830545 8/1938

(22) Filed: **May 8, 2018**

(Continued)

(51) **LOC (13) Cl.** **24-01**

Primary Examiner — Rhea Shields

(52) **U.S. Cl.** **D24/162**

(74) *Attorney, Agent, or Firm* — Gearhart Law LLC;
David Postolski, Esq.

(58) **Field of Classification Search**

USPC D24/162, 106, 164, 110.1, 110;
D23/365, 366; D16/130

CPC . A61B 5/087; A61B 17/3423; A61B 17/3462;
A62M 15/00; A62B 23/06; A61M 15/08;
A61M 15/00; A61F 5/08; A63B 33/00

See application file for complete search history.

(57) **CLAIM**

We claim the ornamental design for a nasal filter, as shown and described.

DESCRIPTION

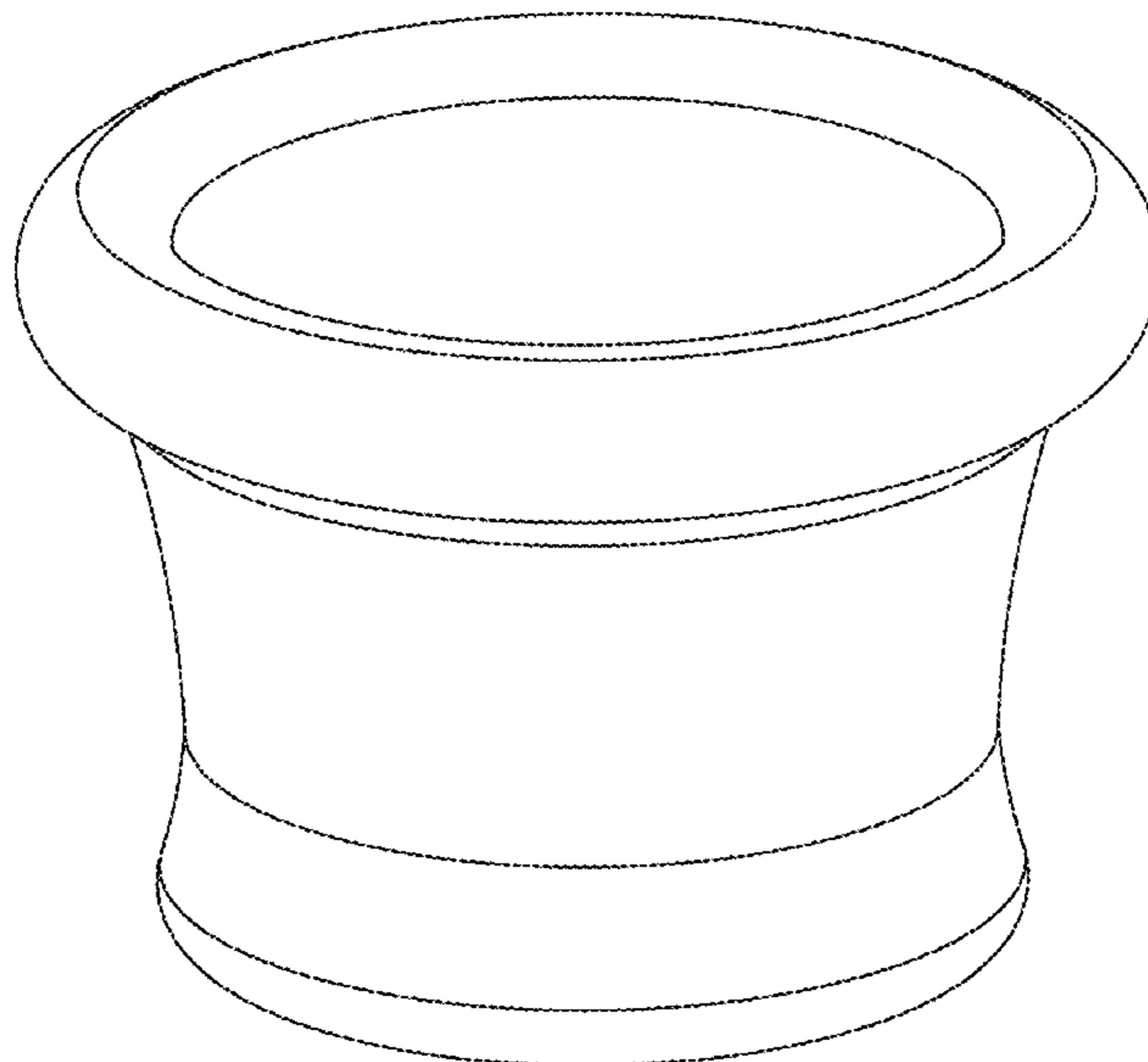
(56) **References Cited**

U.S. PATENT DOCUMENTS

D89,947 S	5/1933	Cohn	
2,151,227 A	3/1939	Pawelek	
2,777,442 A	1/1957	Zelano	
3,747,597 A *	7/1973	Olivera	A62B 23/06 128/206.11
D234,007 S *	12/1974	Ritter	D16/130
3,905,335 A *	9/1975	Kapp	A63B 33/00 128/206.11

FIG. 1 is a perspective view of a nasal filter.
FIG. 2 is a front elevational view of FIG. 1.
FIG. 3 is a side elevational view of FIG. 1.
FIG. 4 is a top elevational view of FIG. 1.
FIG. 5 is a bottom elevational view of FIG. 1.
FIG. 6 is an exploded view of FIG. 1; and,
FIG. 7 is a cross-sectional view taken along line 7-7 of FIG. 2.

1 Claim, 7 Drawing Sheets



(56)

References Cited

U.S. PATENT DOCUMENTS

D451,193 S * 11/2001 McCormick D24/106
 D461,890 S * 8/2002 Lawrence D24/106
 6,564,800 B1 * 5/2003 Olivares A61F 5/08
 128/200.24
 6,701,924 B1 * 3/2004 Land, Jr. A62B 23/06
 128/201.18
 6,718,982 B2 * 4/2004 Smith A61B 5/087
 128/206.21
 D524,938 S 7/2006 Schreiber
 D545,959 S * 7/2007 Cierley D24/110
 D556,325 S * 11/2007 Michaels D24/162
 7,354,467 B2 4/2008 Chen et al.
 D571,457 S 6/2008 Dolezal et al.
 D572,360 S 7/2008 Dolezal et al.
 D608,441 S * 1/2010 Scharlott D24/106
 7,748,383 B1 * 7/2010 Soloway A61M 15/08
 128/206.11
 D627,067 S * 11/2010 Daniel D24/162
 D635,240 S 3/2011 Tohara
 D645,136 S * 9/2011 Rosati D24/106
 D645,957 S * 9/2011 Loeser D24/110.1
 D652,910 S * 1/2012 Duffy D24/110.1
 D673,257 S * 12/2012 Landaverde, Jr. D24/106
 D679,812 S * 4/2013 Taylor D24/162
 D740,948 S * 10/2015 Hamilton D24/164
 D759,802 S 6/2016 Hamer et al.
 D770,552 S * 11/2016 Radi D16/130
 D777,923 S * 1/2017 Butt D24/162
 D789,541 S * 6/2017 Brunst D24/162
 D804,012 S 11/2017 Mann
 D880,670 S * 4/2020 Meeker D23/366
 2003/0209145 A1 11/2003 Soper

2004/0065065 A1* 4/2004 Van Patten A62B 23/06
 55/385.1
 2005/0051170 A1 3/2005 Koo
 2005/0066973 A1* 3/2005 Michaels A62B 23/06
 128/206.11
 2007/0175478 A1 8/2007 Brunst
 2007/0227542 A1 10/2007 Kashmakov et al.
 2007/0283962 A1 12/2007 Doshi et al.
 2008/0023007 A1* 1/2008 Dolezal A62B 23/06
 128/206.11
 2010/0286484 A1* 11/2010 Stellon A61B 17/3462
 600/208
 2010/0331777 A1 12/2010 Danielsson
 2011/0240038 A1 10/2011 Doshi et al.
 2012/0125340 A1 5/2012 Chou
 2012/0157782 A1* 6/2012 Alfieri A61B 17/3423
 600/208
 2014/0123982 A1 5/2014 Maddock
 2015/0238785 A1 8/2015 Chuang et al.
 2016/0256715 A1 9/2016 Chao et al.
 2020/0261752 A1* 8/2020 Frank A62B 23/06

FOREIGN PATENT DOCUMENTS

FR	1191820	10/1959
GB	138079	7/1920
GB	1183262	3/1970
WO	9948562	9/1999
WO	2005004993	1/2005
WO	2015102206	7/2015
WO	2015127615	9/2015
WO	2015129957	9/2015
WO	2017072383	5/2017

* cited by examiner

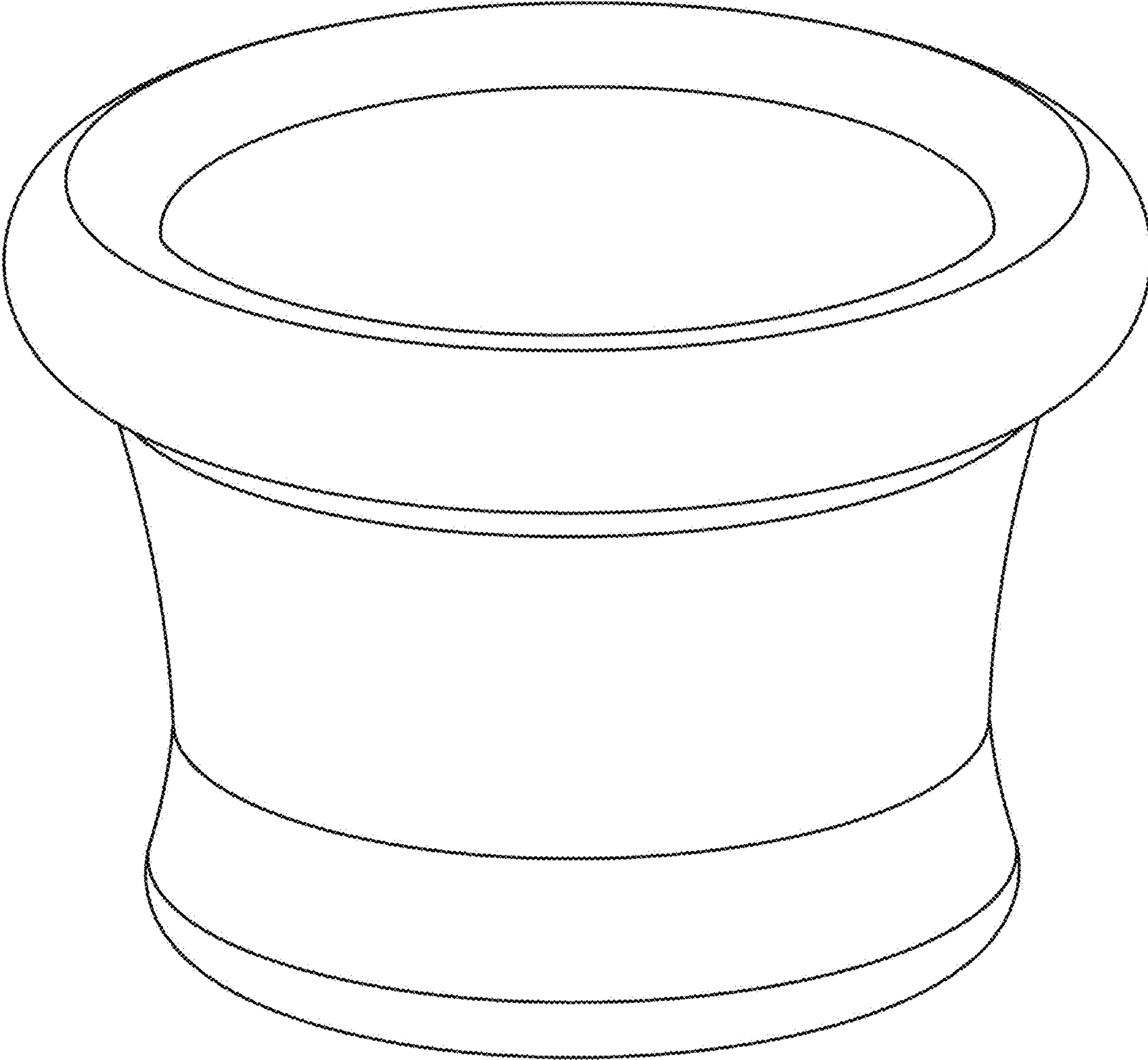


FIG. 1

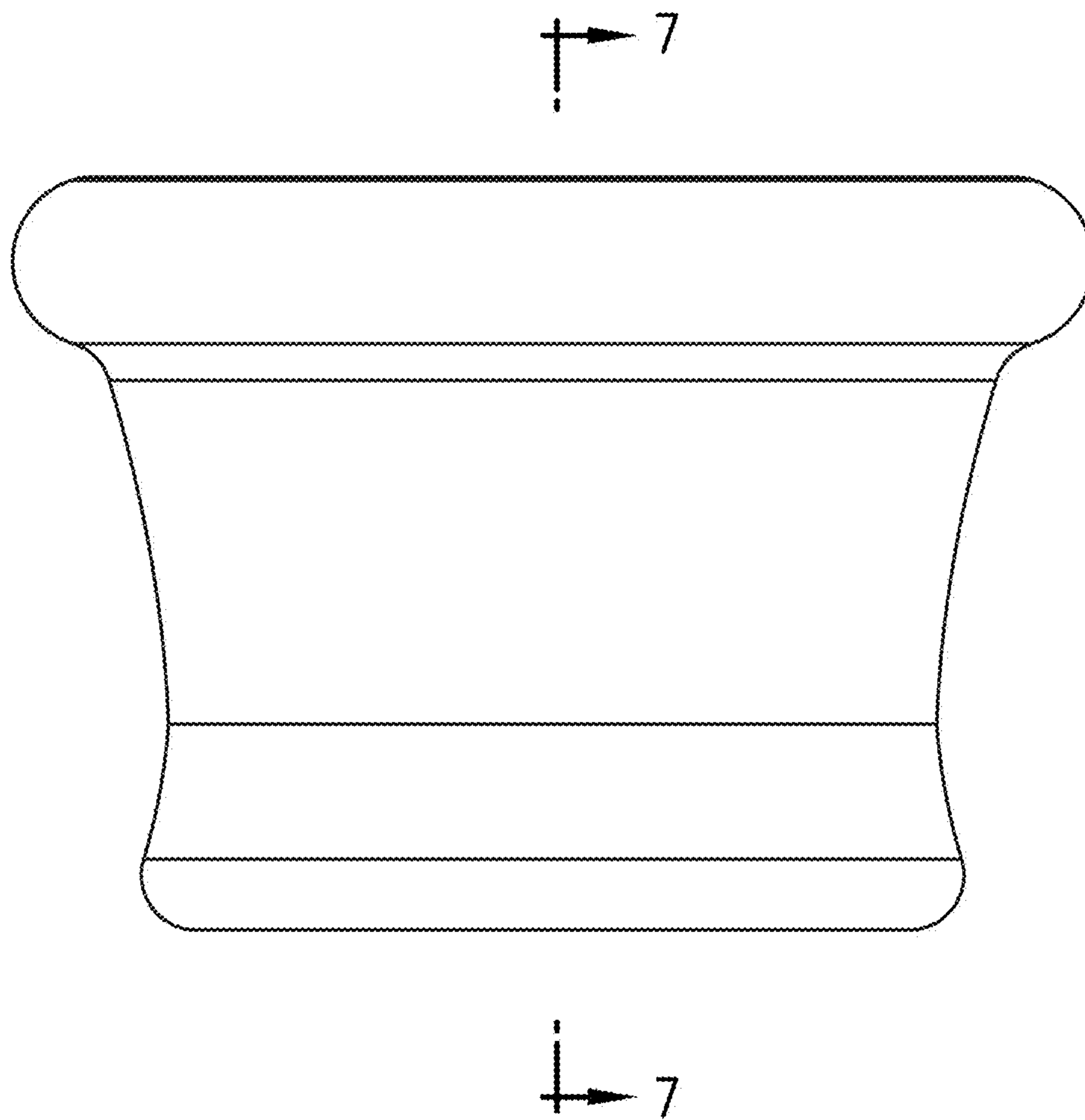


FIG. 2

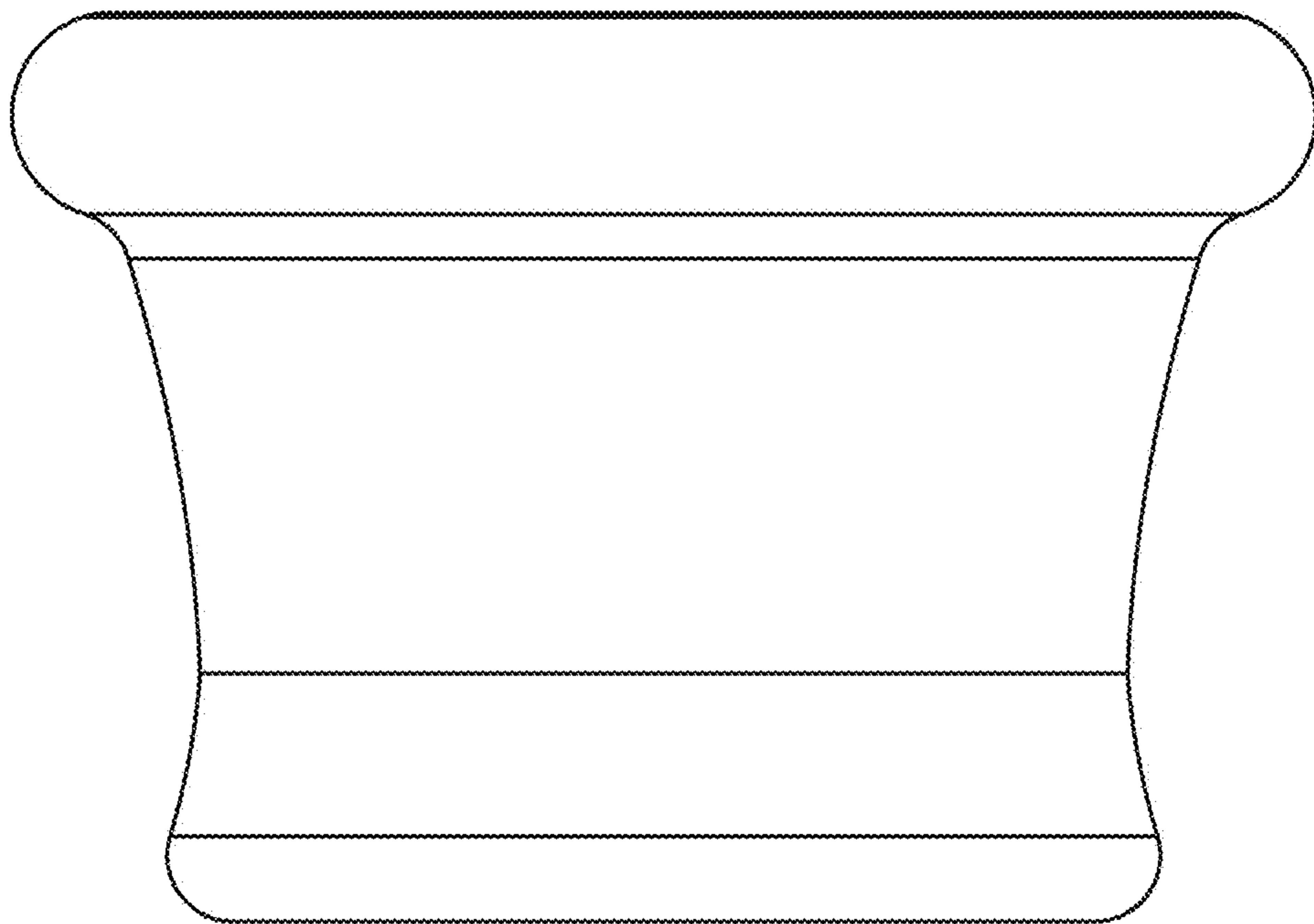


FIG. 3

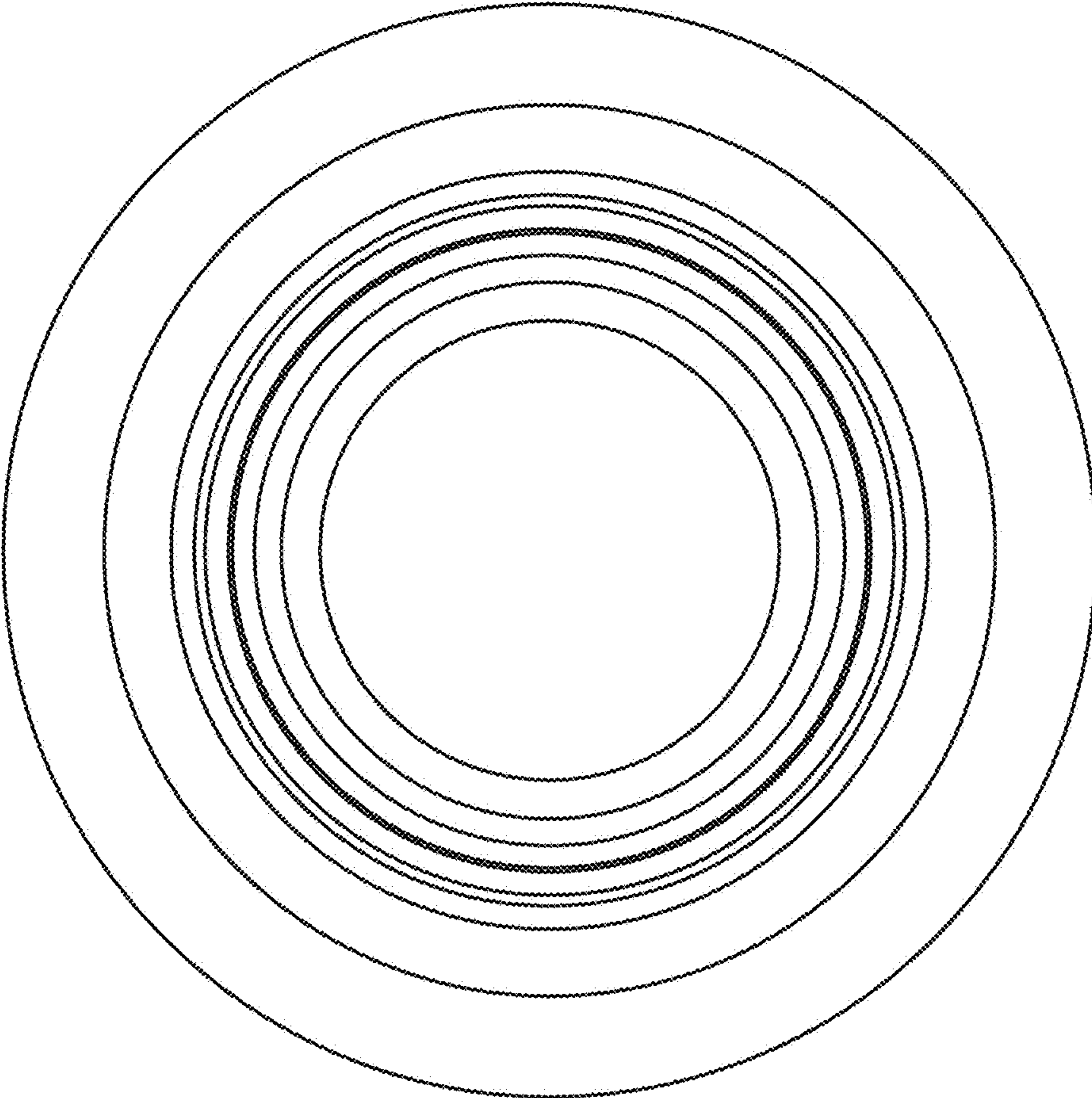


FIG. 4

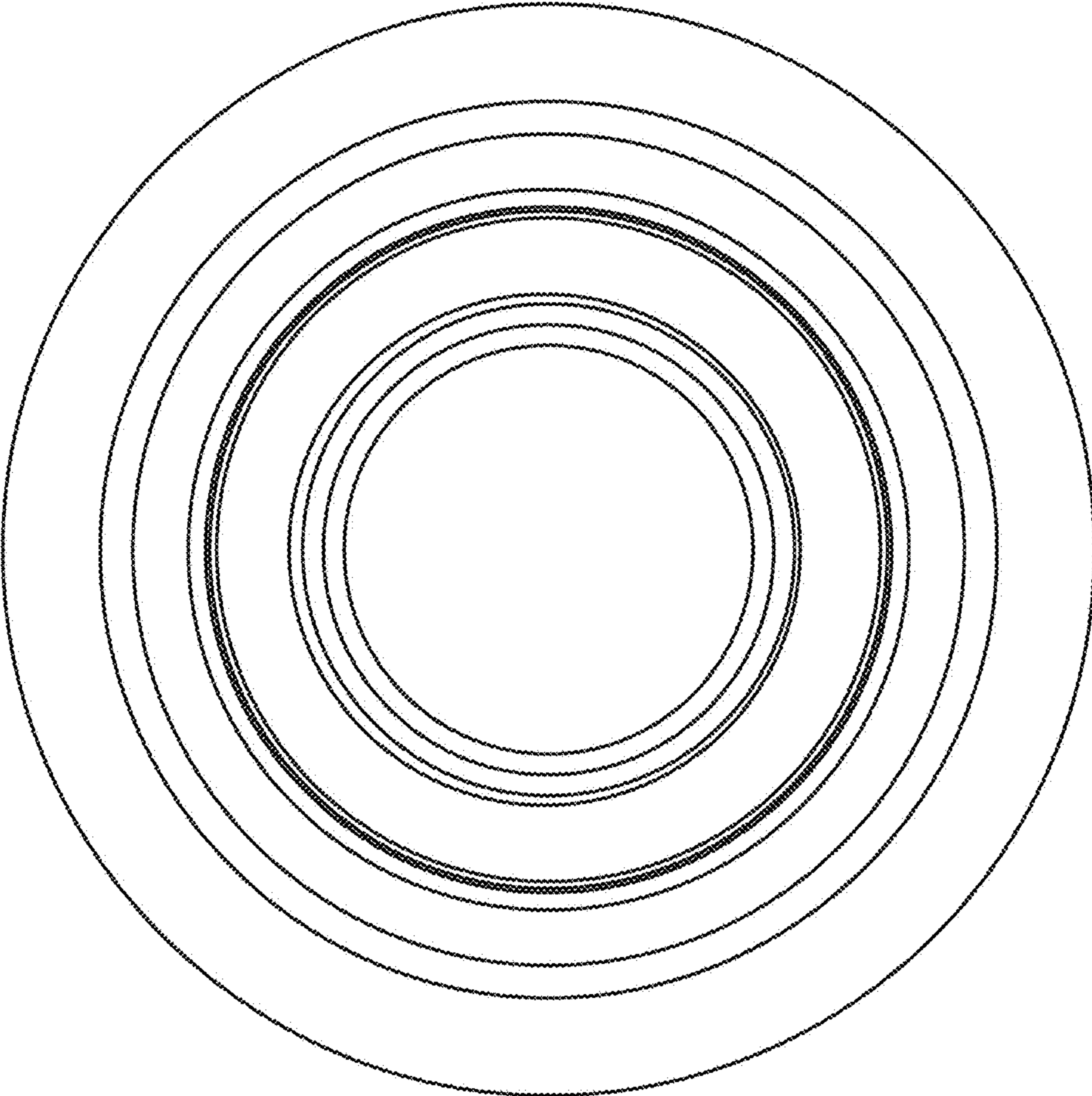


FIG. 5

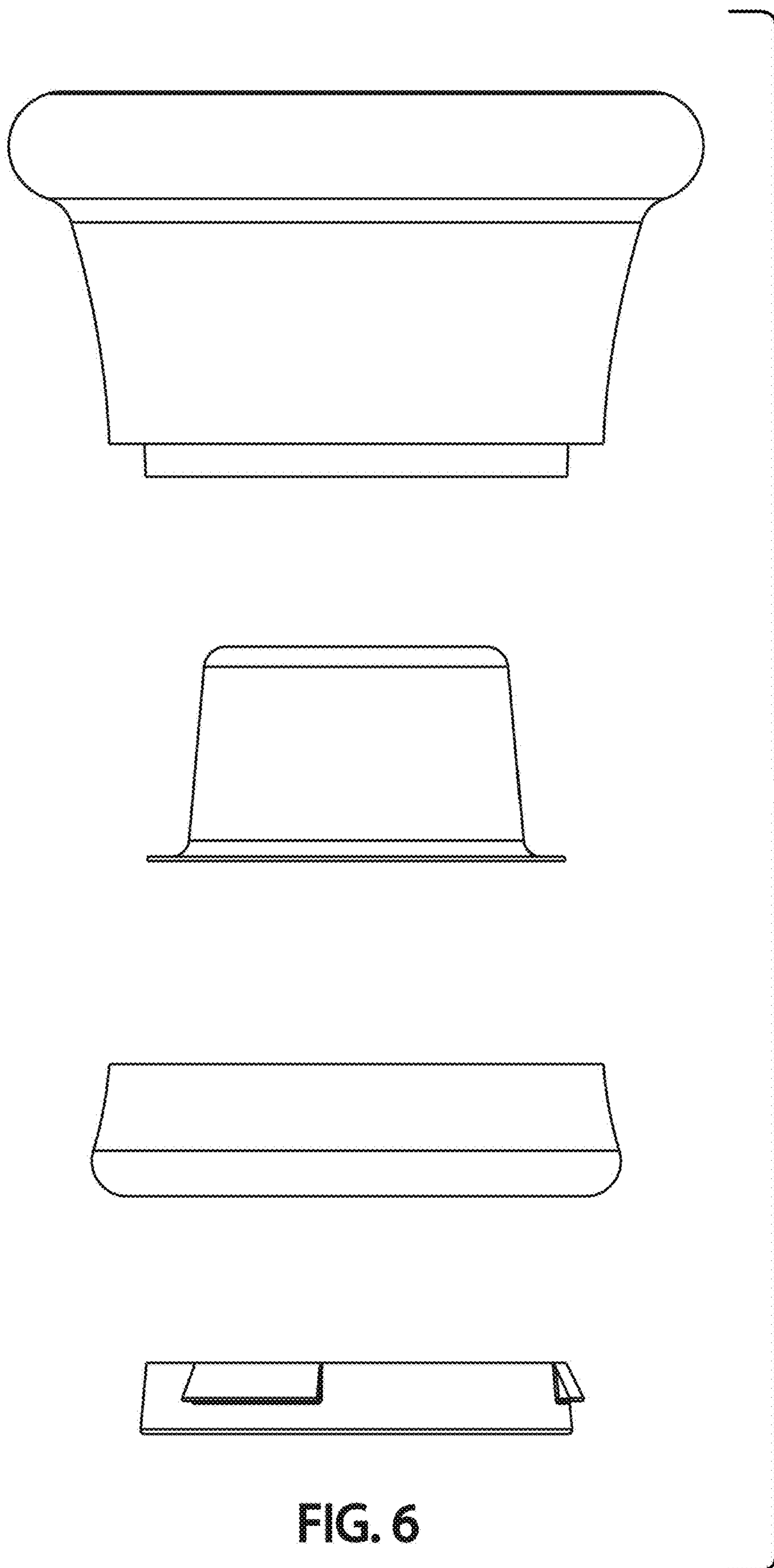


FIG. 6

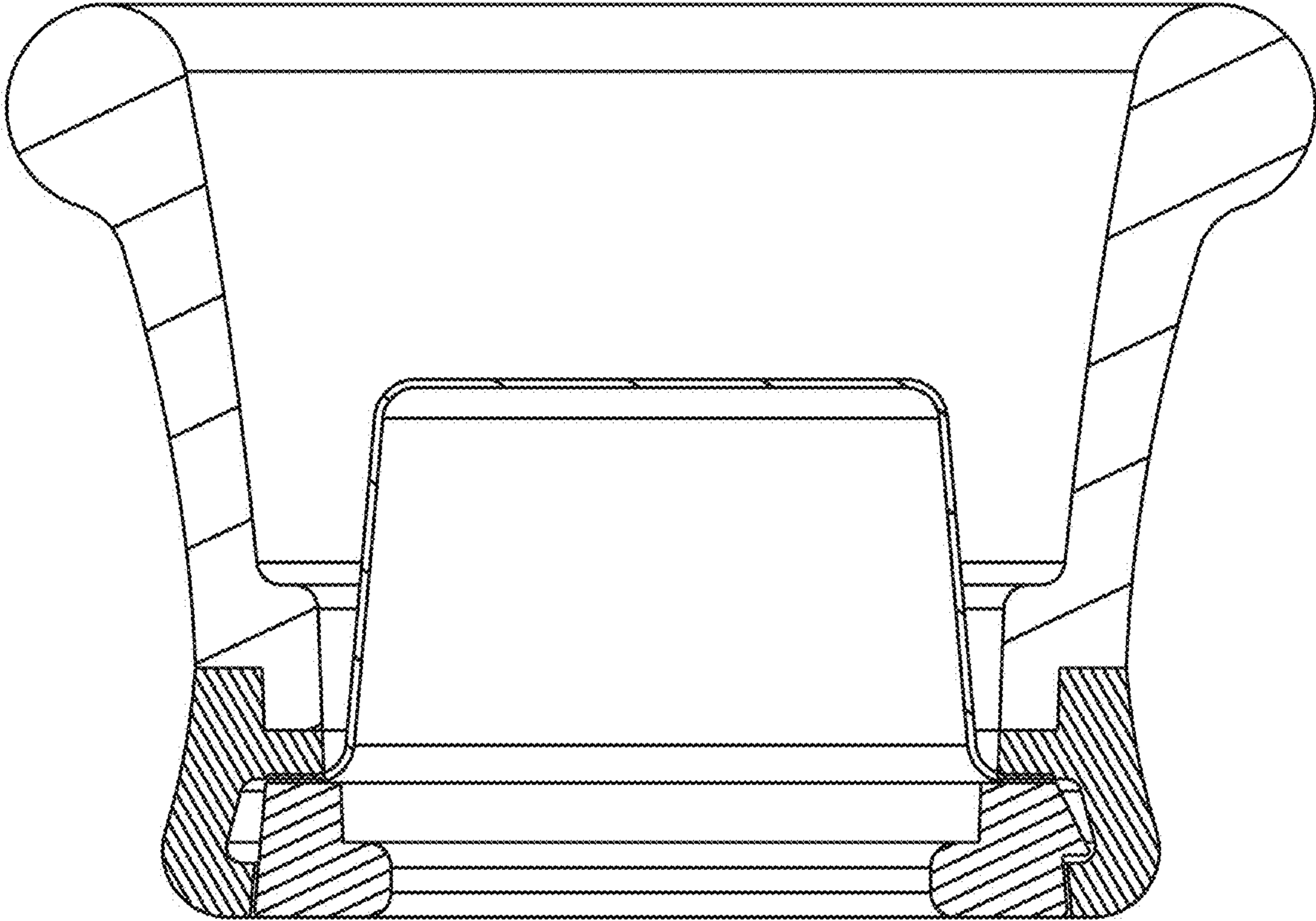


FIG. 7