



US00D932011S

(12) **United States Design Patent** (10) **Patent No.:** **US D932,011 S**
Wang (45) **Date of Patent:** **** Sep. 28, 2021**

(54) **EAR CLEANER**
(71) Applicant: **Heifeng Zhizao (Shenzhen) Technology Co., Ltd, Shenzhen (CN)**
(72) Inventor: **Shihong Wang, Shenzhen (CN)**
(73) Assignee: **HEIFENG ZHIZAO (SHENZHEN) TECHNOLOGY CO., LTD, Shenzhen (CN)**

D529,817 S * 10/2006 Francavilla G01F 11/025
D9/724
D583,506 S * 12/2008 Justice D28/86
D749,856 S * 2/2016 Lee D4/121
D763,438 S * 8/2016 Gouret D24/112
(Continued)

(**) Term: **15 Years**
(21) Appl. No.: **29/719,973**
(22) Filed: **Jan. 9, 2020**

FOREIGN PATENT DOCUMENTS
CN 202030253455.0 * 9/2020 28/3

(30) **Foreign Application Priority Data**
Dec. 2, 2019 (CN) 201930669231.5
(51) **LOC (13) Cl.** **24-01**
(52) **U.S. Cl.**
USPC **D24/151**
(58) **Field of Classification Search**
USPC D4/100, 101, 102, 103, 119, 120, 199;
D8/303; D9/723, 725, 726; D24/119,
D24/127, 133, 135, 141, 151, 154, 173,
D24/215, 231, 232; D28/58, 99
CPC A46B 5/00; A46B 5/0004; A46B 5/0016;
A46B 5/026; A46B 7/10; A46B 13/001;
A46B 13/02; A46B 13/023; A46B 13/08;
A46B 2200/1006; A46B 2200/30; A46B
2018/00327; A61Q 90/00; A61F 11/00;
A61F 11/006
See application file for complete search history.

OTHER PUBLICATIONS
FCC ID, "C3 Bebird Smart Visual Ear-Clean Rod", first available Dec. 23, 2019. (<https://fccid.io/2AU63-C3/External-Photos/External-photos-4562168> (Year: 2019).*)
(Continued)

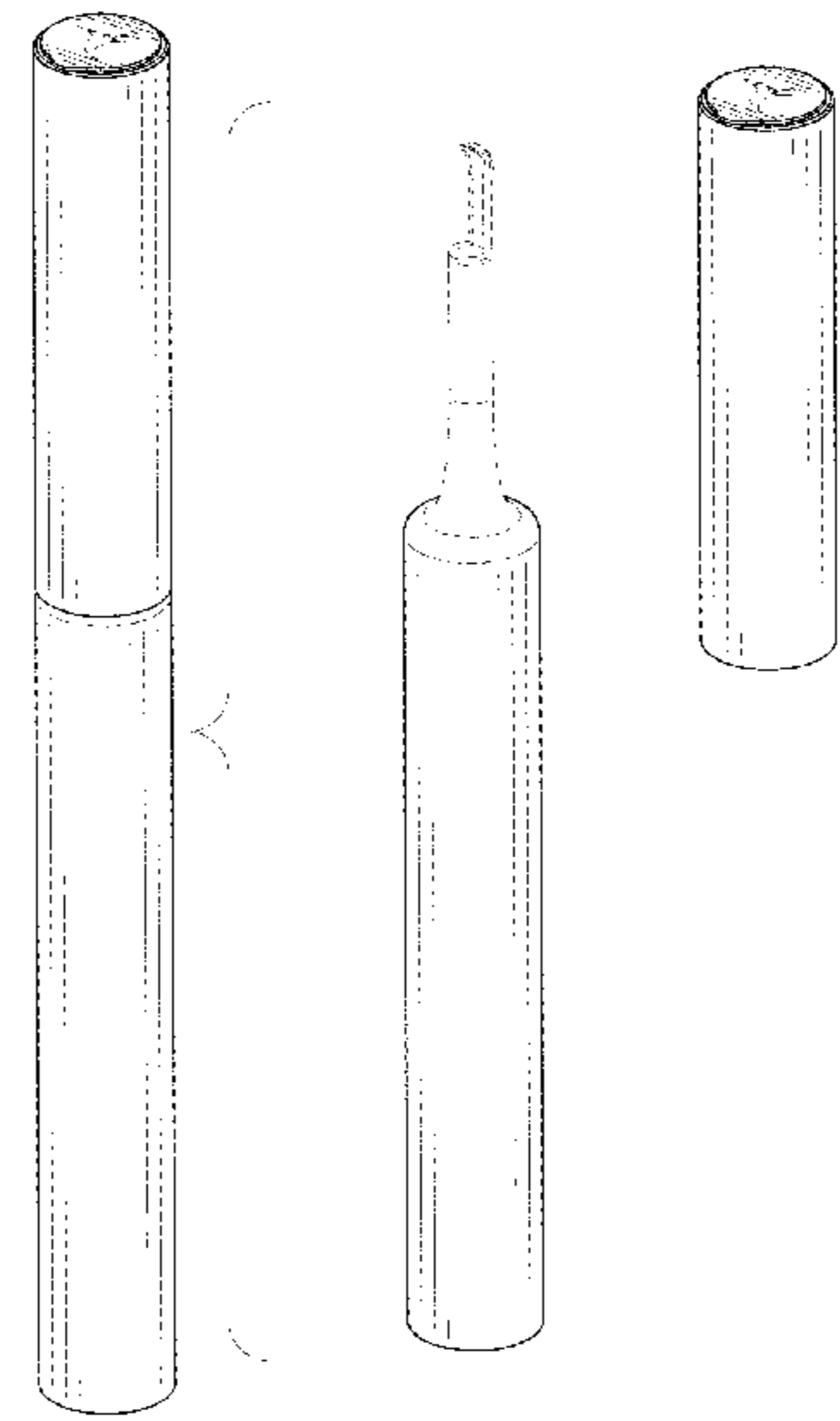
Primary Examiner — Lauren D McVey
Assistant Examiner — Justin A Johnson

(56) **References Cited**
U.S. PATENT DOCUMENTS
D303,021 S * 8/1989 Reichmann D28/5
6,325,076 B1 * 12/2001 Ramirez A45D 44/18
132/308

(57) **CLAIM**
The ornamental design for an ear cleaner, as shown and described.

DESCRIPTION
FIG. 1 is a perspective view of an ear cleaner showing my new design;
FIG. 2 is another perspective view thereof;
FIG. 3 is a front elevational view thereof;
FIG. 4 is a rear elevational view thereof;
FIG. 5 is a left side elevational view thereof;
FIG. 6 is a right side elevational view thereof;
FIG. 7 is a top plan view thereof;
FIG. 8 is a bottom plan view thereof;
FIG. 9 is a perspective view of the ear cleaner with the cover separated; and,
FIG. 10 is an enlarged view of FIG. 8.
The broken lines in the drawings are for the purpose of illustrating portions of the ear cleaner that form no part of the claimed design.

1 Claim, 10 Drawing Sheets



(56)

References Cited

U.S. PATENT DOCUMENTS

D768,291 S * 10/2016 Carota D24/119
D827,450 S * 9/2018 Loukov D9/726
D851,333 S * 6/2019 Nagata D28/89
D854,744 S * 7/2019 Tanaka D28/7
D866,763 S * 11/2019 Khademhosseini D24/151
D921,299 S * 6/2021 Khubani D28/85
2013/0114991 A1 * 5/2013 Liu A45D 40/24
401/172

OTHER PUBLICATIONS

Amazon, "WiFi Otoscope Ear Wax Removal Kit", first available Sep. 29, 2020. (<https://www.amazon.com/Otoscope-Removal-KFF-Wireless-Endoscope/dp/B08KF15RFB>) (Year: 2020).*

Amazon, "SodaBlue Ear Wax Removal Tool Camera Cleaning Kit", first available Mar. 31, 2021. (<https://www.amazon.com/SodaBlue-Cleaning-Otoscope-Compatiable-Temperature/dp/B091DLTTHH/>) (Year: 2021).*

Simicrave, "P60 Smart Visual Ear Wax Removal", first available Apr. 9, 2021. (<https://www.simicrave.com/products/p60-smart-visual-ear-cleaner>) (Year: 2021).*

* cited by examiner

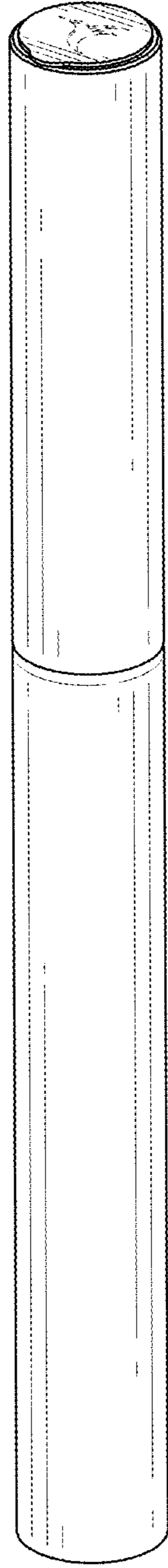


FIG. 1

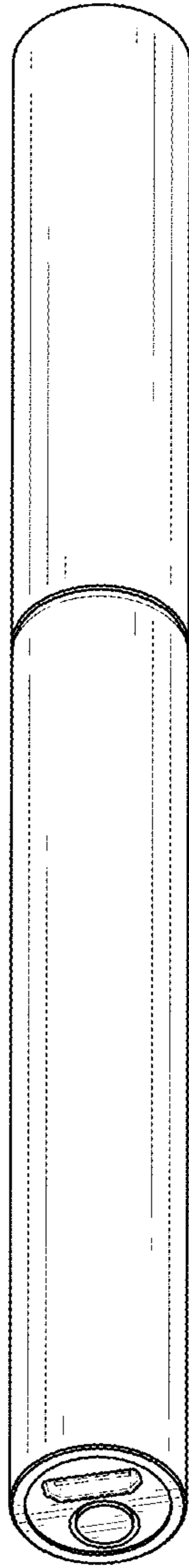


FIG. 2

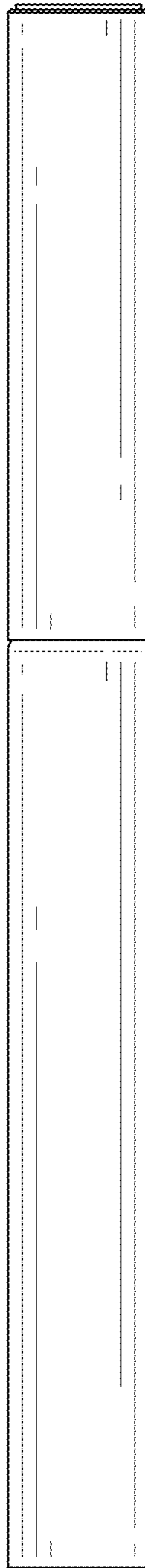


FIG. 3

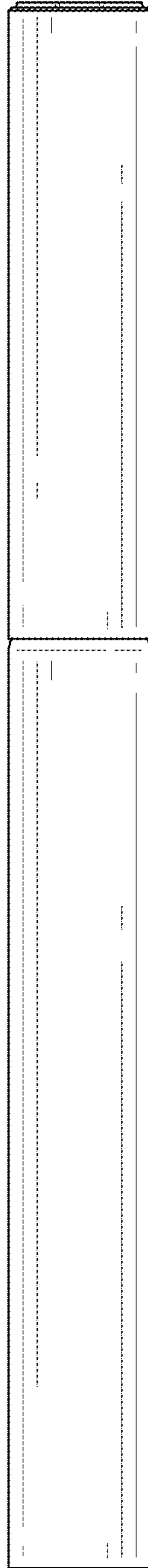


FIG. 4

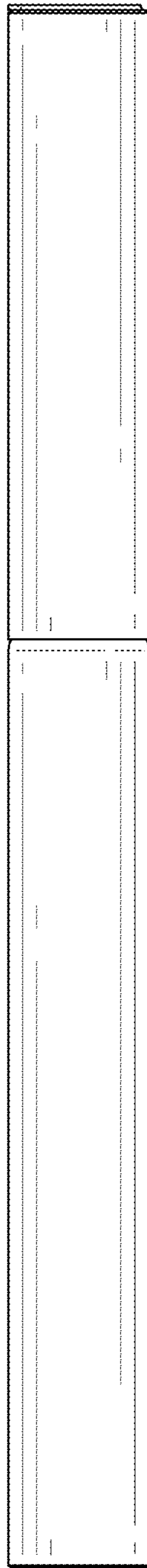


FIG. 5

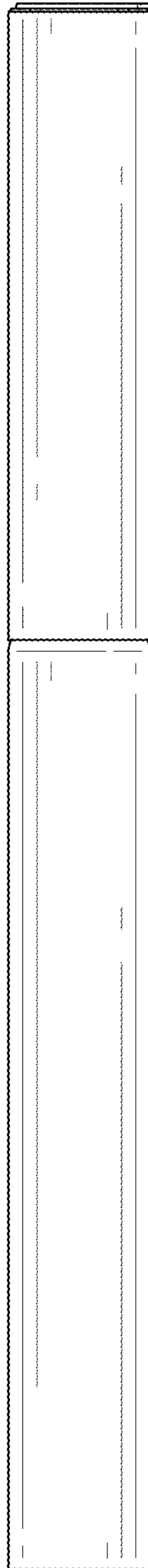


FIG. 6

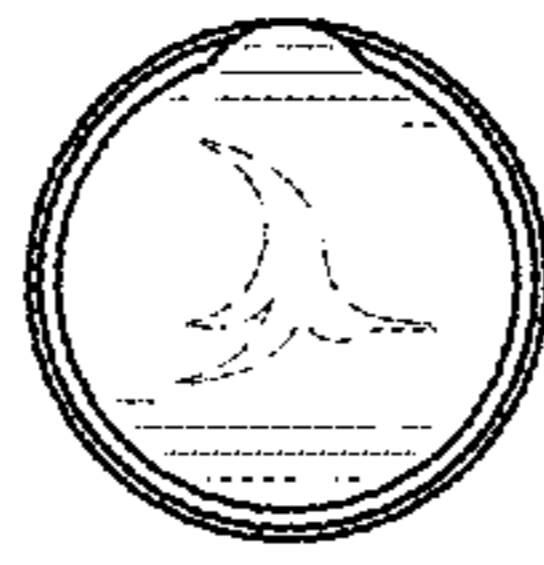


FIG. 7

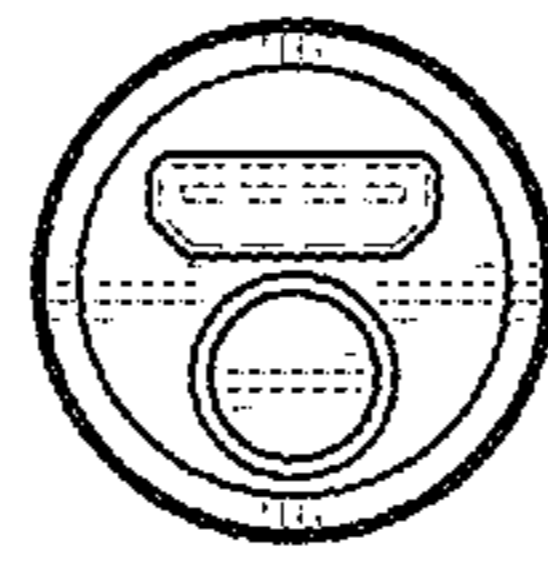


FIG. 8

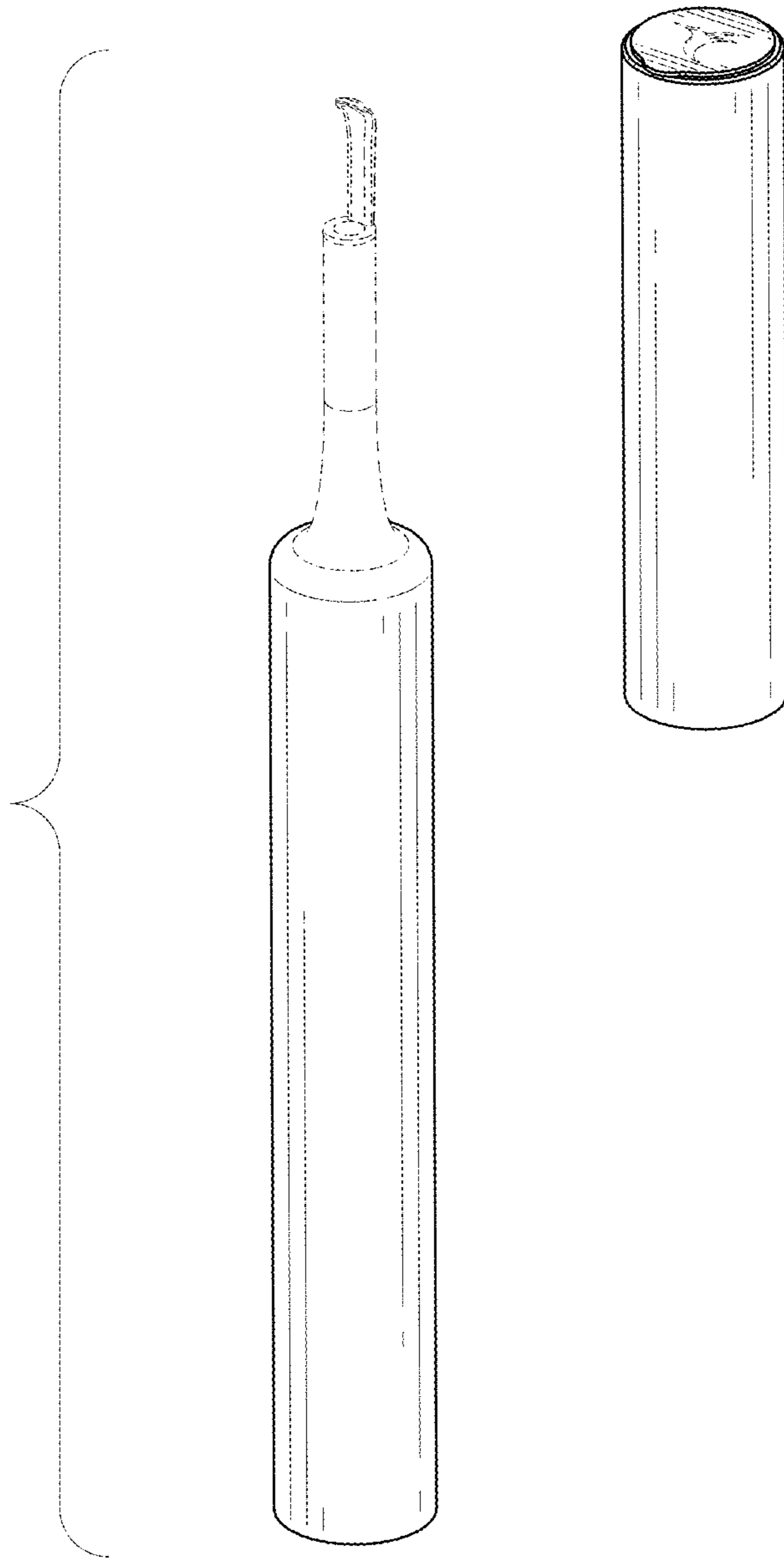


FIG. 9

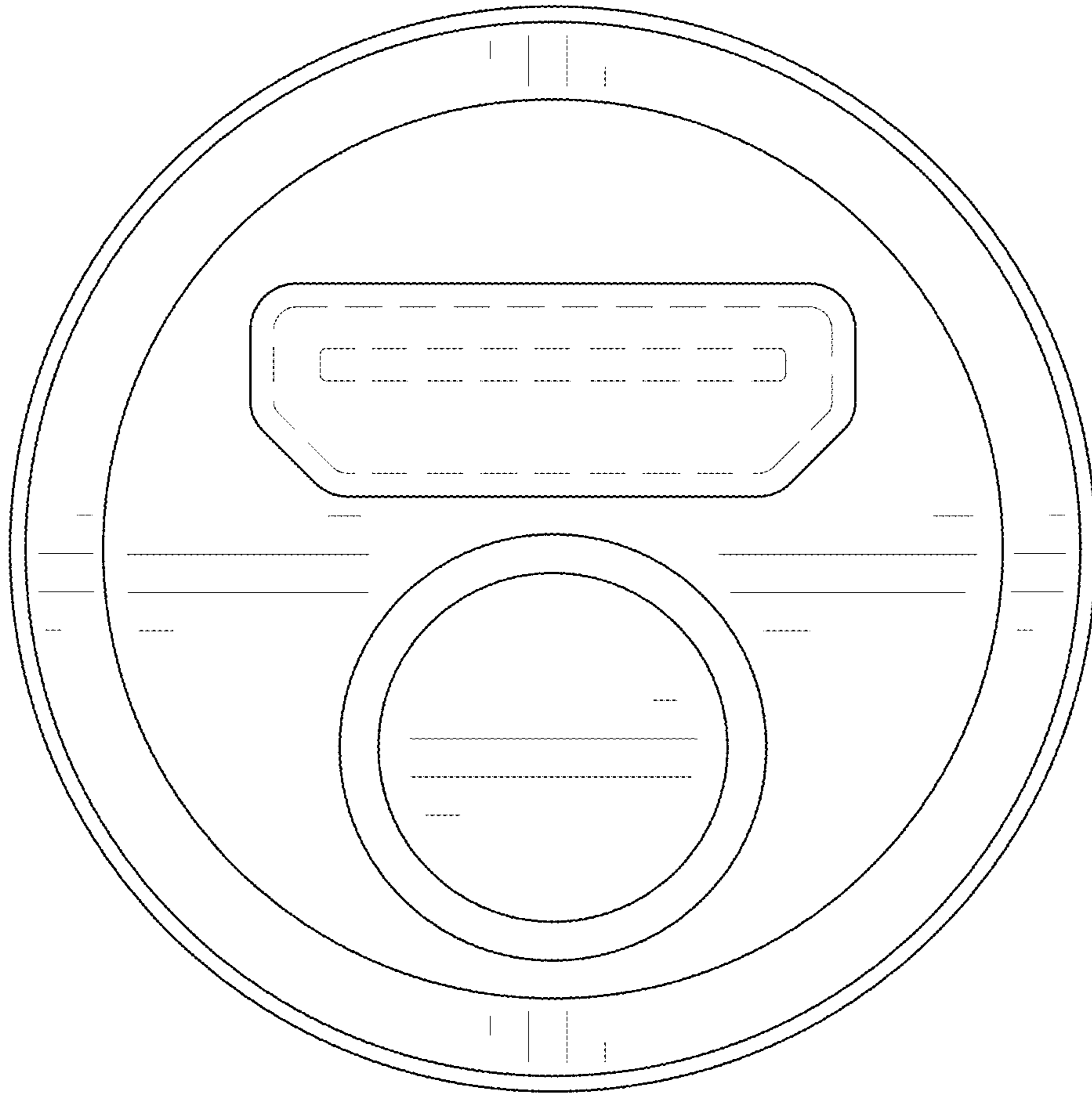


FIG. 10