



US00D932009S

(12) **United States Design Patent**
Porat

(10) **Patent No.:** **US D932,009 S**

(45) **Date of Patent:** **** Sep. 28, 2021**

(54) **DEVICE TO CLAMP AND CUT THE UMBILICAL CORD OF A NEWBORN**

(71) Applicant: **Michael Porat**, Tel-Aviv (IL)

(72) Inventor: **Michael Porat**, Tel-Aviv (IL)

(**) Term: **15 Years**

(21) Appl. No.: **29/707,834**

(22) Filed: **Oct. 1, 2019**

(51) **LOC (13) Cl.** **24-02**

(52) **U.S. Cl.**
USPC **D24/143**

(58) **Field of Classification Search**
USPC D24/143, 146-147
CPC ... A61B 17/122; A61B 17/128; A61B 17/083;
A61B 17/42; A61B 2017/1225
See application file for complete search history.

(56) **References Cited**

U.S. PATENT DOCUMENTS

5,009,657	A *	4/1991	Cotey	A61B 17/122	606/120
5,797,922	A *	8/1998	Hessel	A61B 17/122	606/120
5,925,052	A *	7/1999	Simmons	A61B 17/128	606/120
5,938,666	A *	8/1999	Reynolds	A61B 17/122	606/120
5,968,054	A *	10/1999	Yeatts, II	A61B 17/122	606/120

5,997,548	A *	12/1999	Jahanger	A61B 17/122	606/120
6,733,508	B1 *	5/2004	Propp	A61B 17/3201	606/120
6,780,195	B2 *	8/2004	Porat	A61B 17/122	606/120
D889,650	S *	7/2020	Porat	D24/143	
2015/0359538	A1 *	12/2015	Yeatts, II	A61B 17/128	606/120

OTHER PUBLICATIONS

Disposable Umbilical Cord Clamps & Scissor. Retrieved on May 11, 2021. Retrieved from the internet: <https://www.midwiferysupplies.ca/products/disposable-umbilical-cord-clamp-scissor?variant=33773205327>.*

* cited by examiner

Primary Examiner — Wan Laymon

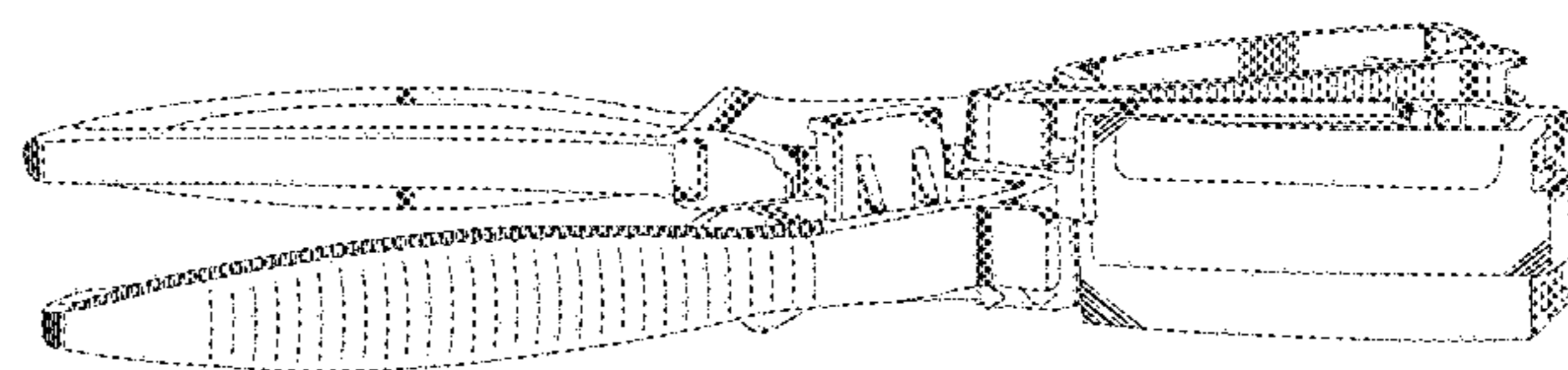
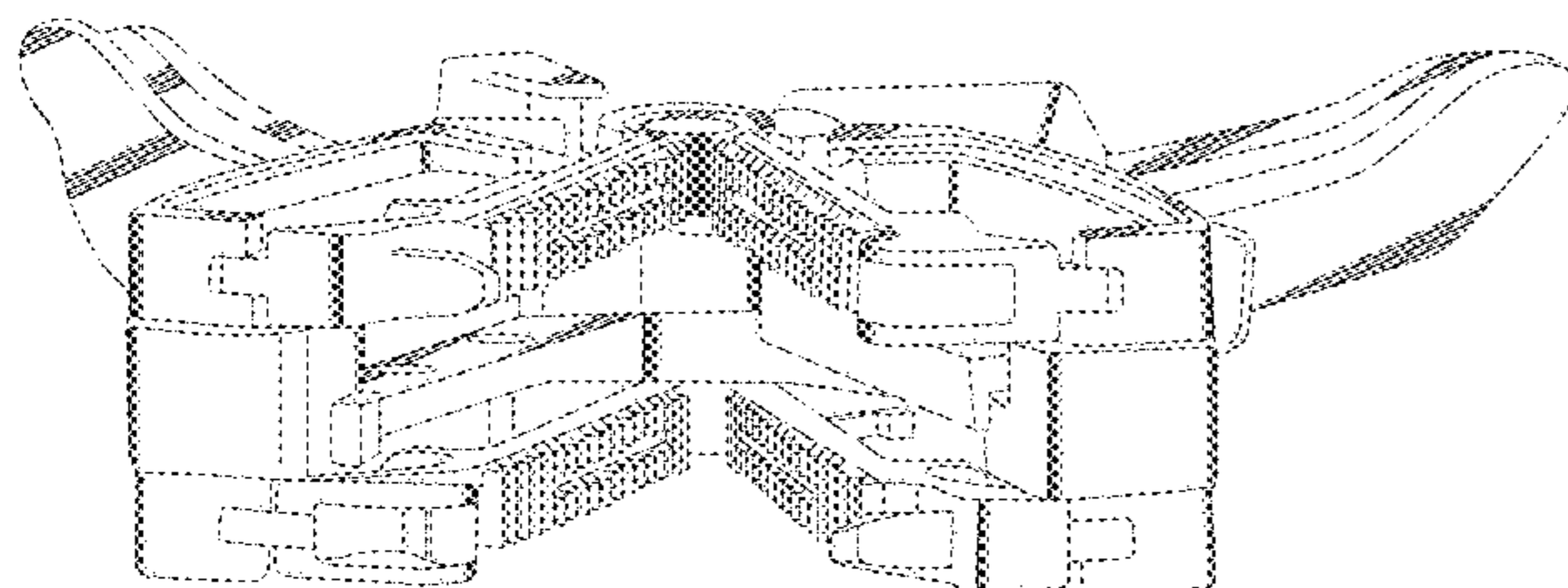
(57) **CLAIM**

I claim the ornamental design for a device to clamp and cut the umbilical cord of a newborn, as shown and described.

DESCRIPTION

FIG. 1 is a right side view of the device to clamp and cut the umbilical cord of a newborn of the claimed design; FIG. 2 is a left side view of the device of FIG. 1; FIG. 3 is a front perspective view of the device of FIG. 1; FIG. 4 is a back perspective view of the device of FIG. 1; FIG. 5 is a top perspective view of the device of FIG. 1; and, FIG. 6 is a bottom perspective view of the device of FIG. 1.

1 Claim, 6 Drawing Sheets



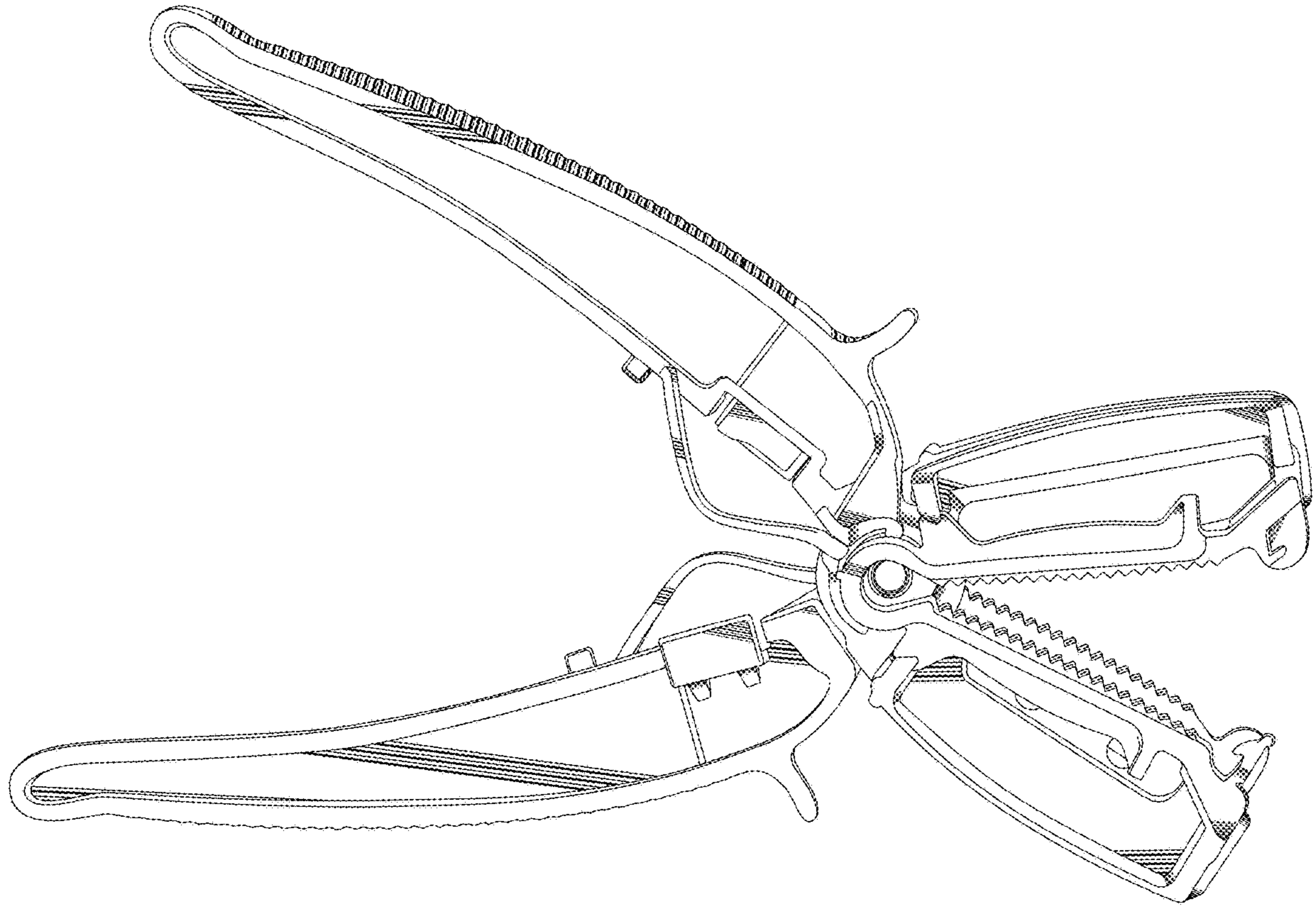


FIGURE 1

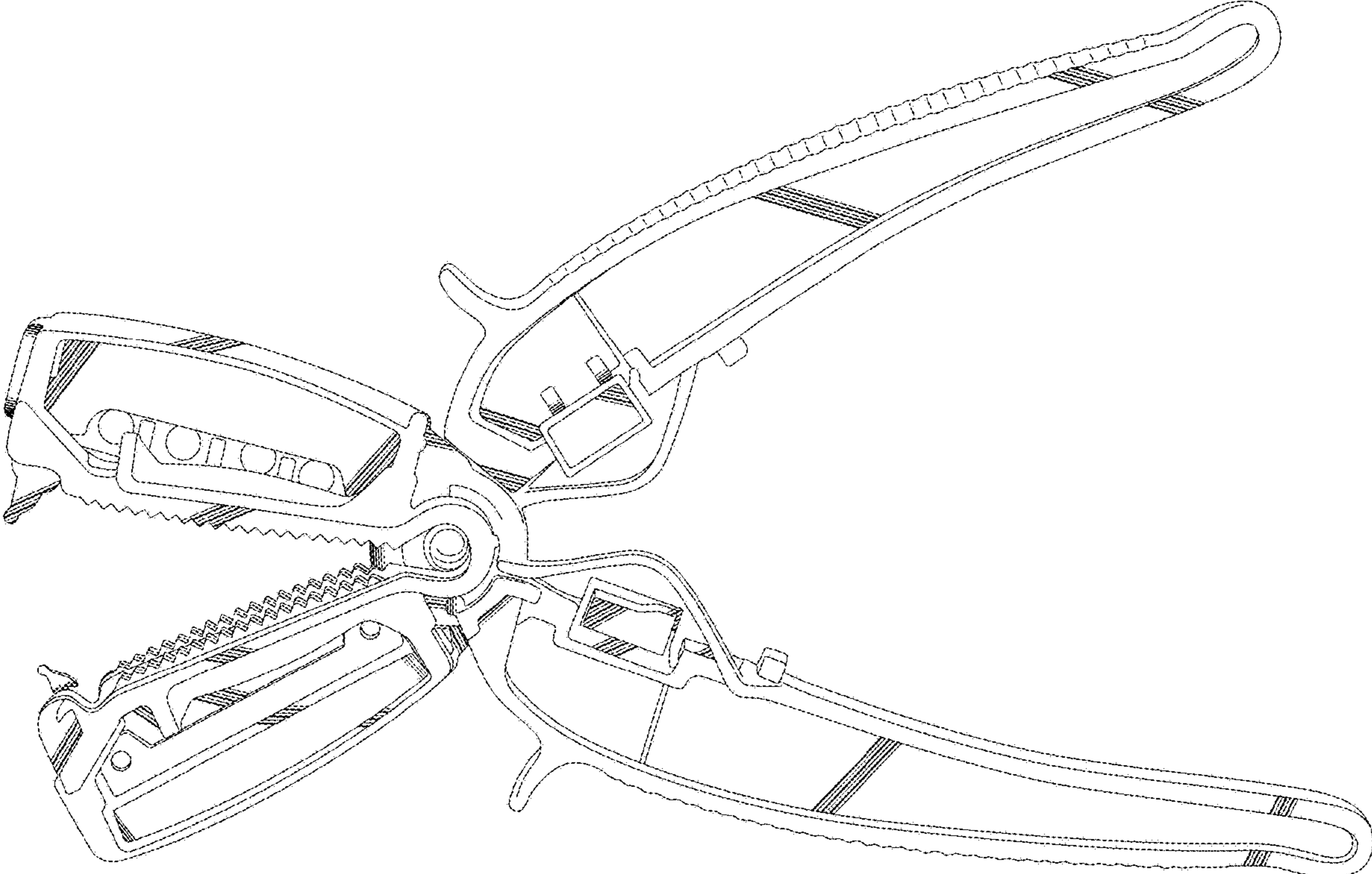


FIGURE 2

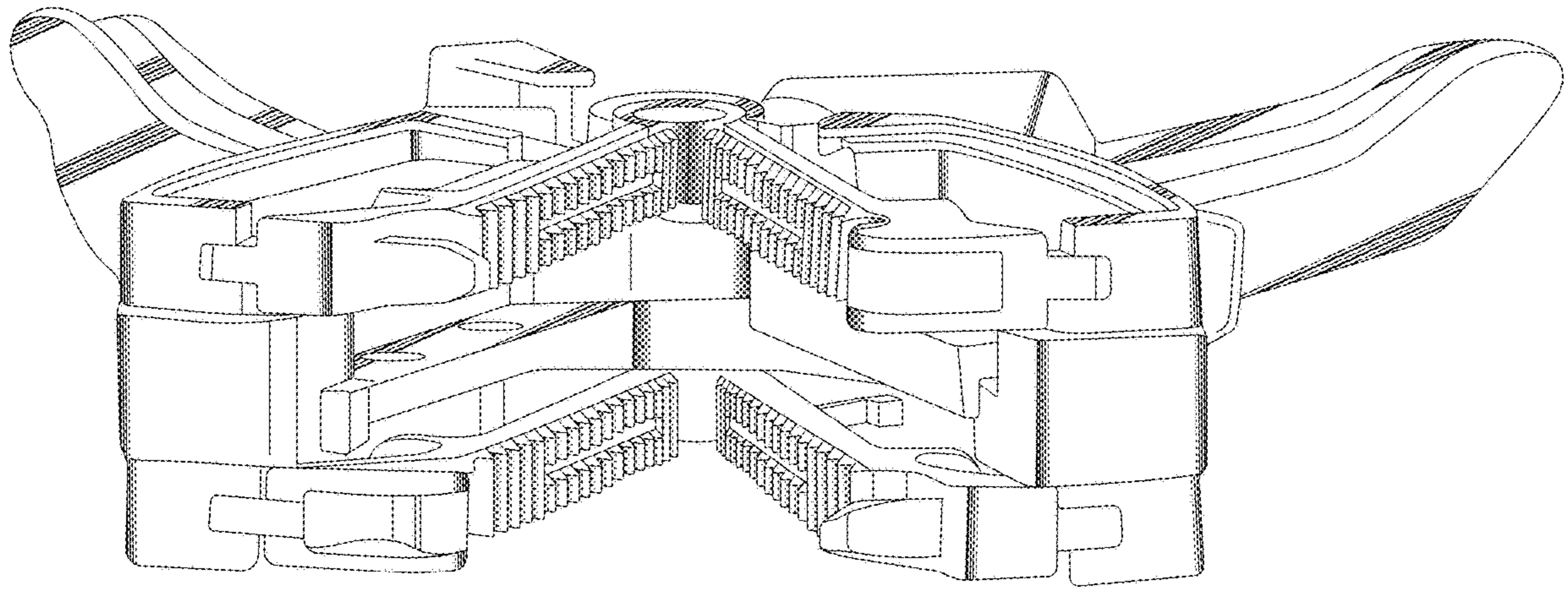


FIGURE 3

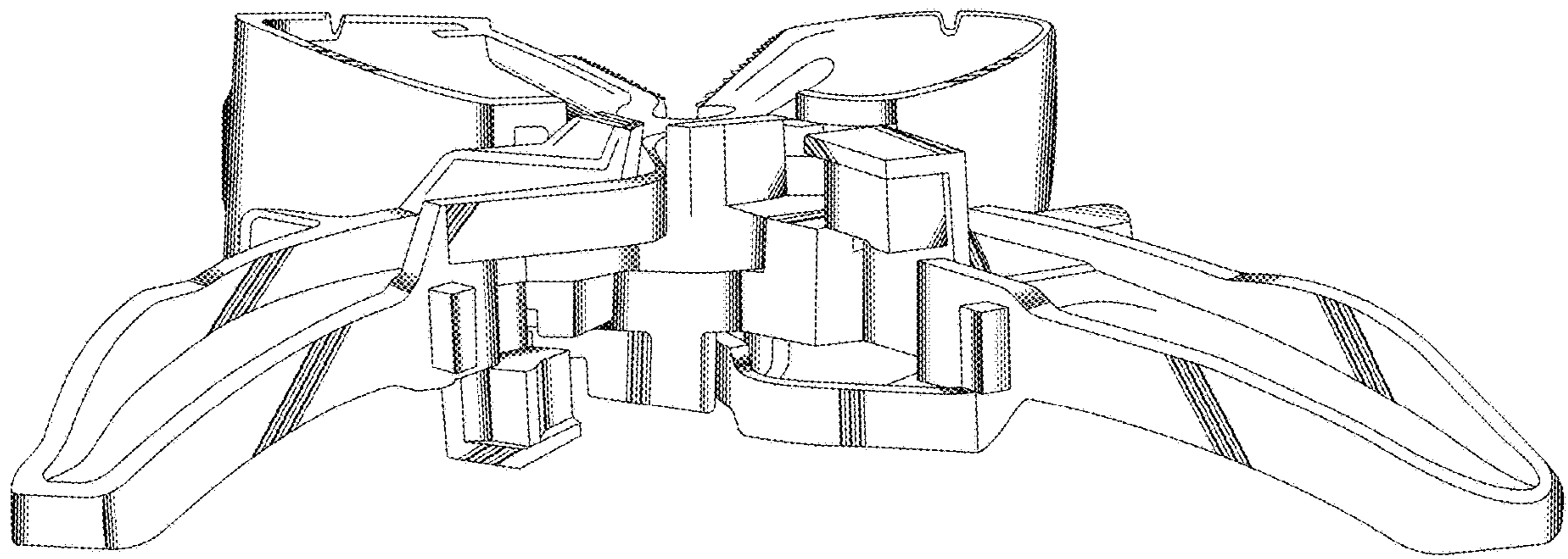


FIGURE 4

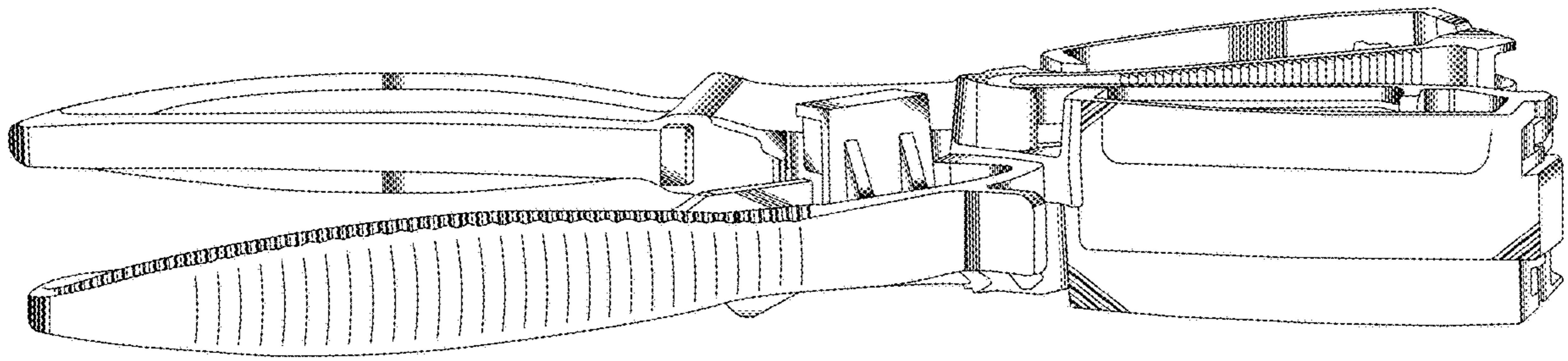


FIGURE 5

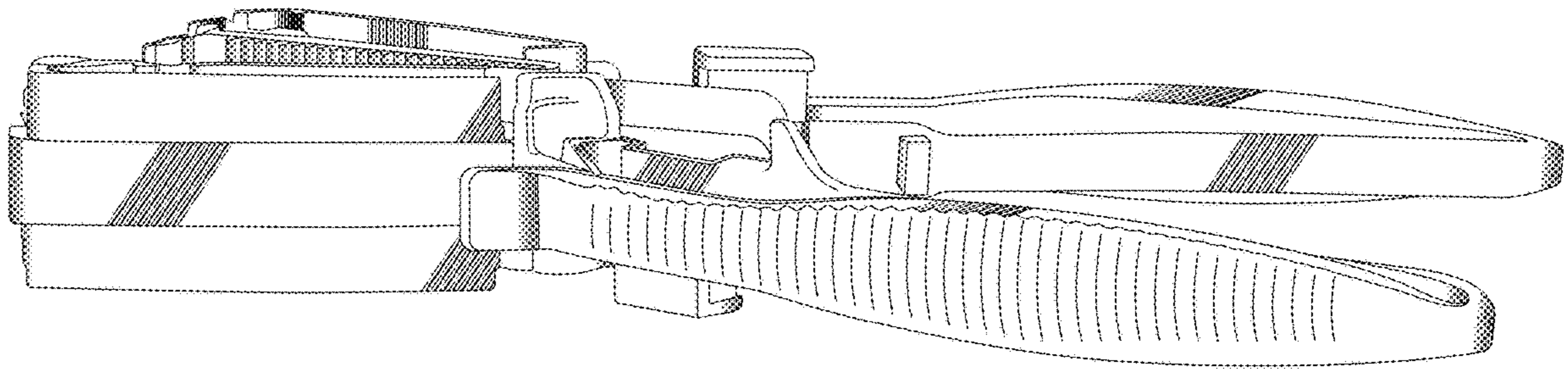


FIGURE 6