

US00D932007S

(12) **United States Design Patent** (10) **Patent No.:** **US D932,007 S**  
**Moudy** (45) **Date of Patent:** **\*\* Sep. 28, 2021**

(54) **LINE HOLDER**  
(71) Applicant: **Creative Medical Devices LLC**,  
Phoenix, AZ (US)  
(72) Inventor: **Joanne Moudy**, Phoenix, AZ (US)  
(73) Assignee: **CREATIVE MEDICAL DEVICES**  
**LLC**, Payson, AZ (US)  
(\*\*) Term: **15 Years**

7,457,506 B1 11/2008 Osborne, II  
D657,869 S 4/2012 Mammen  
D715,427 S \* 10/2014 Jovet-Hug ..... D24/128  
D749,209 S \* 2/2016 Uhlenkamp ..... D24/128  
D829,908 S \* 10/2018 Wonderley ..... D24/147  
D830,552 S \* 10/2018 Wonderley ..... D24/147  
D837,374 S \* 1/2019 Wonderley ..... D24/146  
D852,354 S \* 6/2019 Wrangmark ..... D24/128  
10,433,926 B2 10/2019 Recanati et al.  
D882,778 S \* 4/2020 Kanowitz ..... D24/128  
D886,992 S \* 6/2020 Kindler ..... D24/128  
2001/0045763 A1 11/2001 Jacoway  
2001/0049504 A1 12/2001 Gautsche et al.

(Continued)

(21) Appl. No.: **29/722,801**

(22) Filed: **Jan. 31, 2020**

(51) **LOC (13) Cl.** ..... **24-02**

(52) **U.S. Cl.**  
USPC ..... **D24/128**

(58) **Field of Classification Search**  
USPC ..... D24/128, 127, 189-192; 604/179, 180;  
600/391, 392; 128/DIG. 26; D13/155;  
D8/356  
CPC ..... H02G 3/04; F16L 3/223; A61M 25/02;  
A61M 16/0666  
See application file for complete search history.

FOREIGN PATENT DOCUMENTS

WO 2017147071 A1 8/2017

OTHER PUBLICATIONS

First Office Action dated Apr. 7, 2020 for co-pending U.S. Appl. No. 16/779,483, 15 pages.

*Primary Examiner* — David G Muller  
(74) *Attorney, Agent, or Firm* — John J. Bamert, Esq.;  
Lowe Graham Jones PLLC

(56) **References Cited**

U.S. PATENT DOCUMENTS

2,449,882 A 9/1948 Daniels  
3,203,655 A 8/1965 Mejlso  
3,894,706 A 7/1975 Mizusawa  
4,224,937 A 9/1980 Gordon  
4,250,880 A 2/1981 Gordon  
4,397,647 A 8/1983 Gordon  
D290,041 S 5/1987 Scott  
5,084,026 A 1/1992 Shapiro  
5,316,246 A 5/1994 Scott et al.  
5,323,992 A 6/1994 Sifers et al.  
5,336,179 A 8/1994 Ryan  
5,427,338 A 6/1995 Garrett et al.  
D378,408 S 3/1997 Pyeatt et al.  
5,876,371 A 3/1999 Yokoyama et al.  
6,464,530 B1 10/2002 Smith et al.

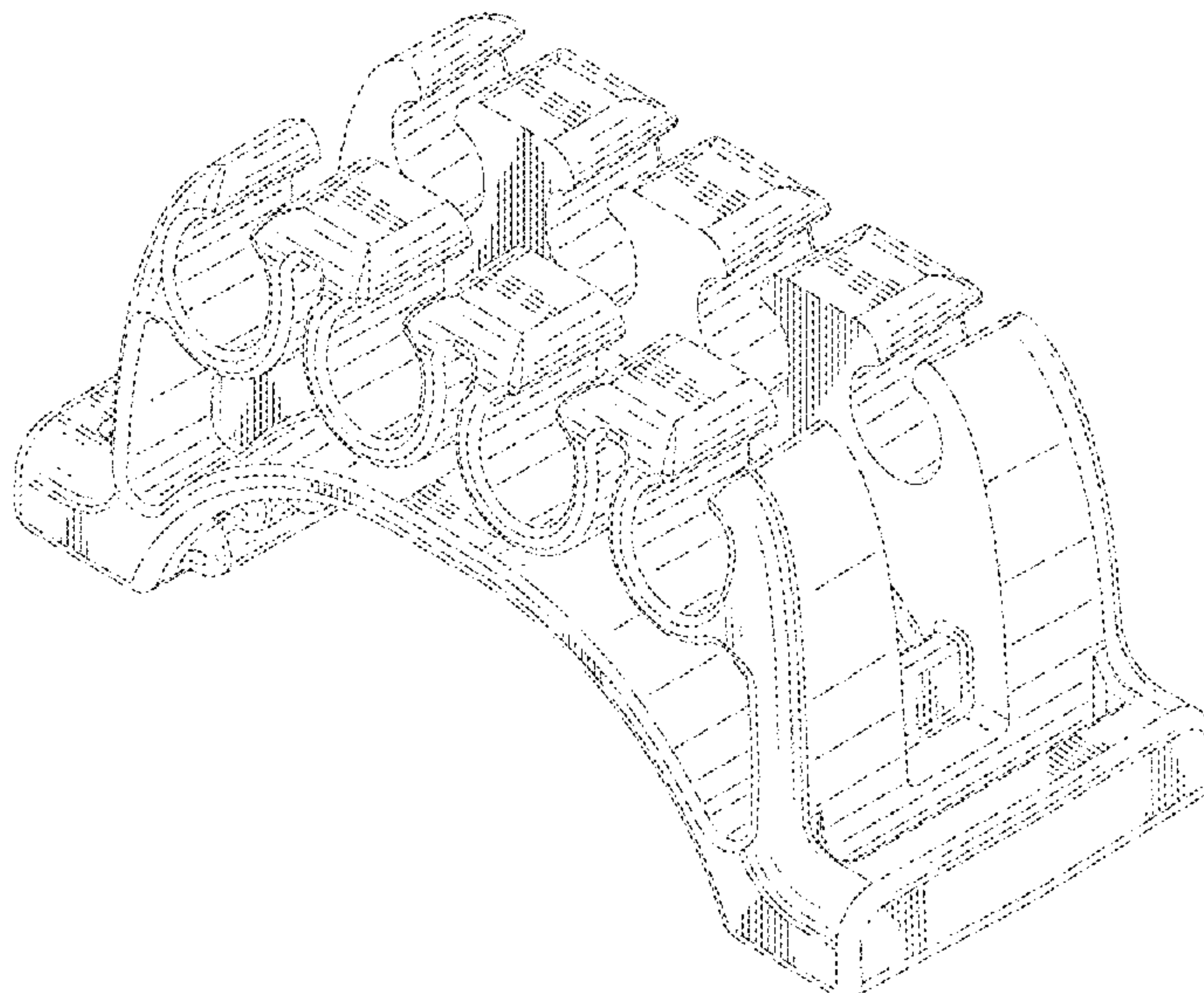
(57) **CLAIM**

The ornamental design for a line holder, as shown and described.

**DESCRIPTION**

FIG. 1 is an isometric front, left perspective view of a line holder, showing the new design.  
FIG. 2 is a top plan view thereof.  
FIG. 3 is a front elevation view thereof, the opposite side being a mirror image of the side shown in this figure.  
FIG. 4 is a bottom plan view thereof; and,  
FIG. 5 is a left-side elevation view thereof, the opposite side being a mirror image of the side shown in this figure.

**1 Claim, 5 Drawing Sheets**



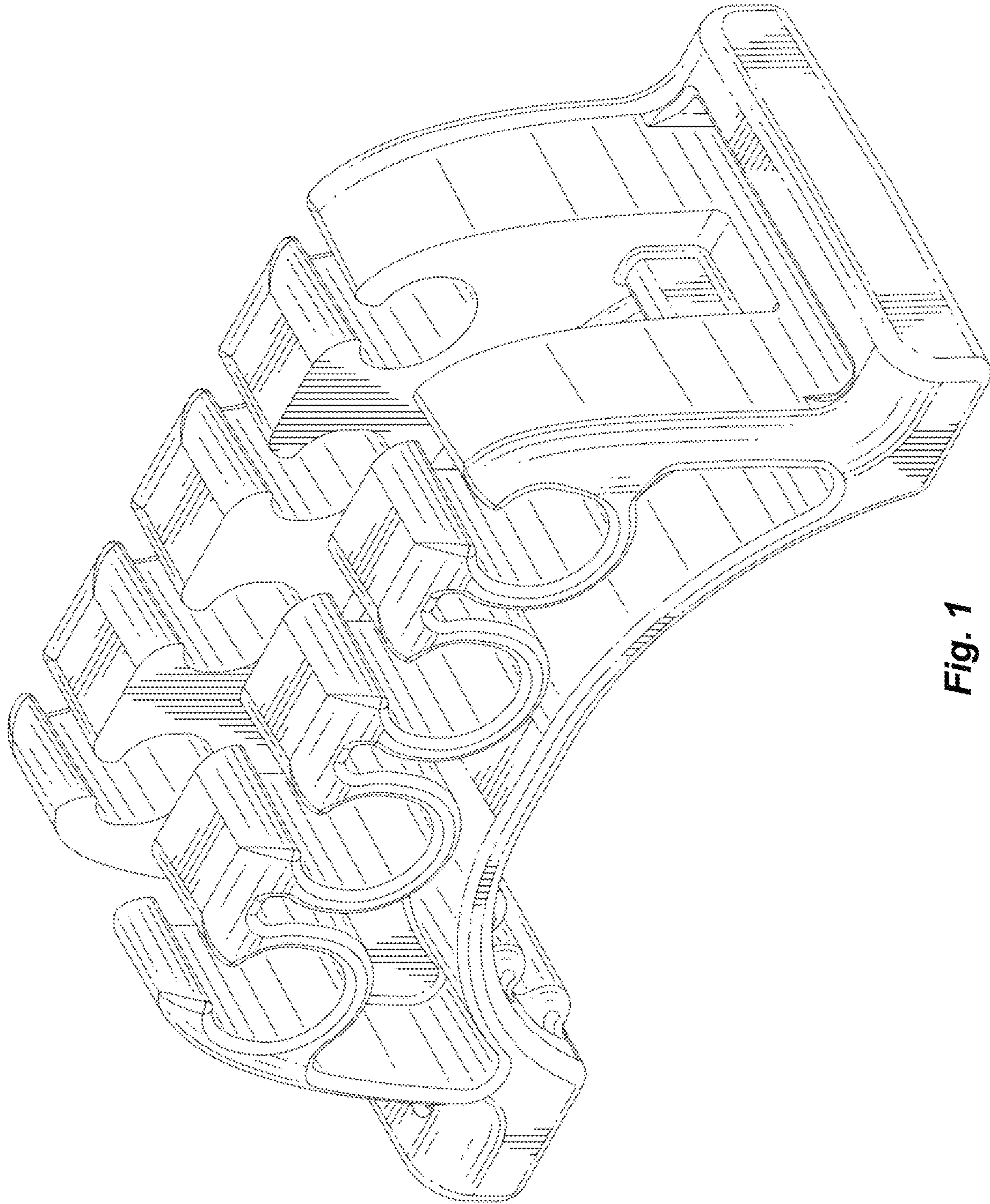
(56)

**References Cited**

U.S. PATENT DOCUMENTS

2005/0103949 A1\* 5/2005 Ross ..... A61M 5/1418  
248/68.1  
2006/0113432 A1 6/2006 Driskell  
2009/0019678 A1 1/2009 Taylor  
2011/0118670 A1 5/2011 Kay et al.  
2011/0248125 A1 10/2011 D'Andria  
2013/0303986 A1\* 11/2013 Penalosa, Jr. .... A61M 25/0097  
604/118  
2014/0025010 A1\* 1/2014 Stroup ..... A61M 25/02  
604/179  
2014/0252177 A1 9/2014 Vera  
2014/0306070 A1 10/2014 Hartsock et al.  
2015/0144746 A1 5/2015 Stewart  
2016/0114103 A1 4/2016 Burke  
2017/0246371 A1 8/2017 Biewer et al.  
2019/0022303 A1 1/2019 Headlee et al.  
2019/0201665 A1\* 7/2019 Turpin ..... A61M 5/1418  
2020/0254221 A1\* 8/2020 Burkin ..... A61M 25/02

\* cited by examiner



**Fig. 1**



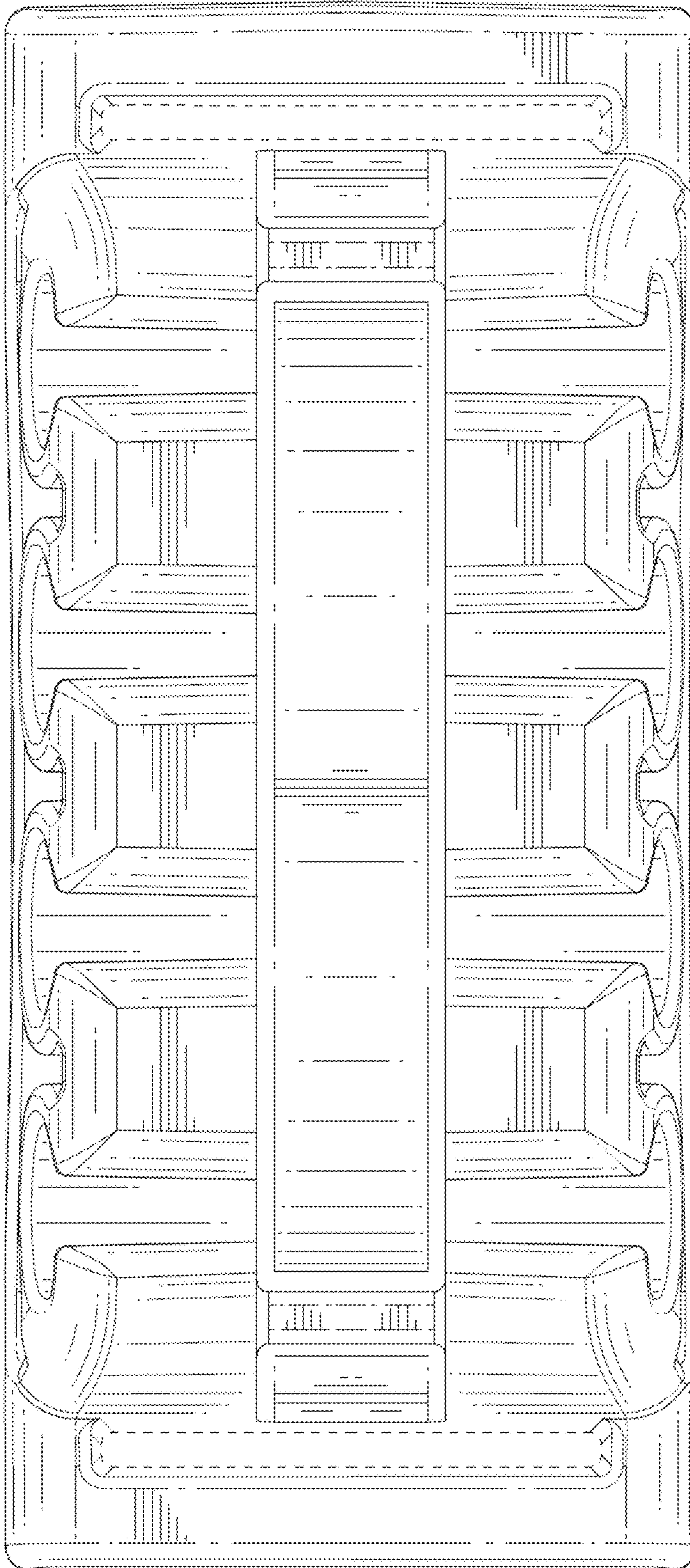


Fig. 2

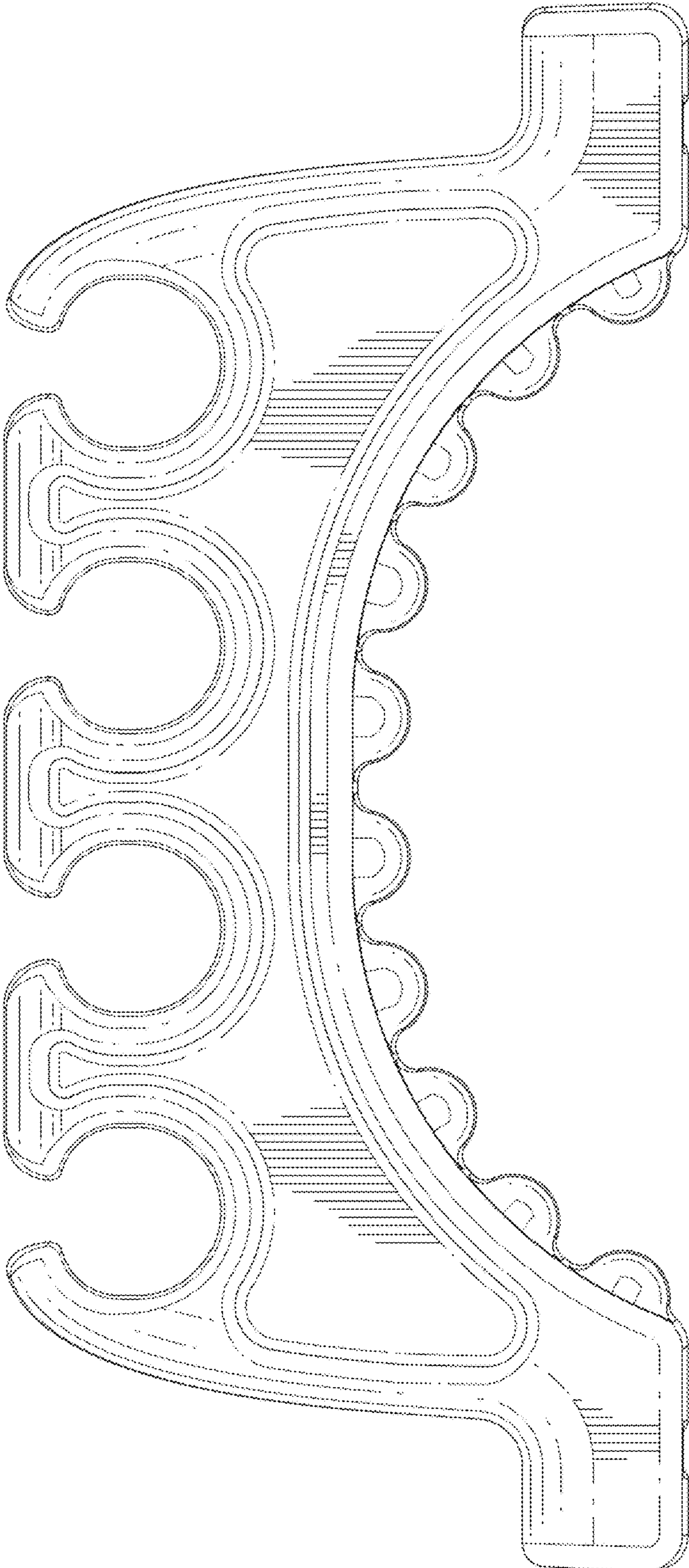


Fig. 3



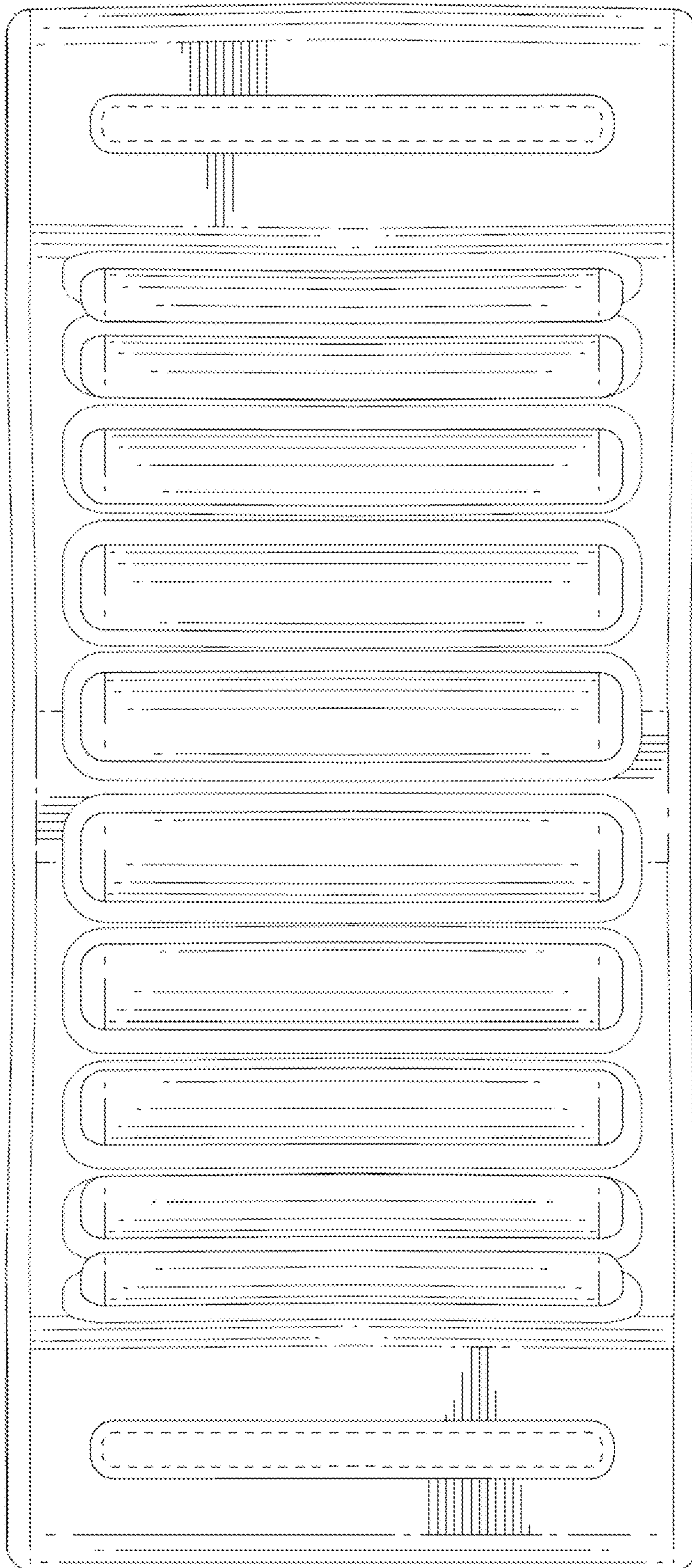


Fig. 4

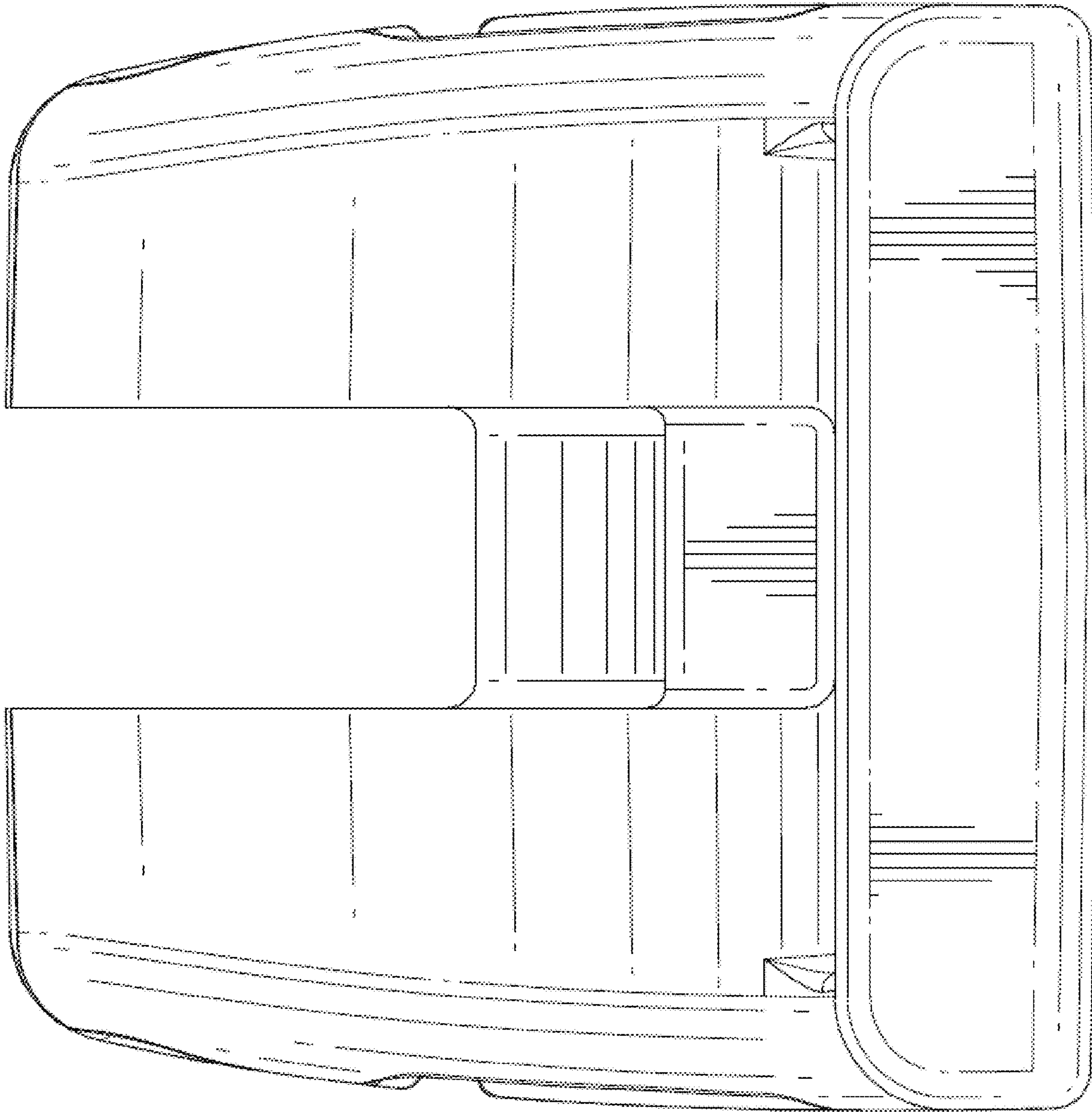


Fig. 5