



US00D932005S

(12) **United States Design Patent** (10) **Patent No.:** **US D932,005 S**
Li (45) **Date of Patent:** **** *Sep. 28, 2021**

(54) **ORAL WATERJET**

FOREIGN PATENT DOCUMENTS

(71) Applicant: **Guangdong Roman Technology Co., Ltd., DongGuan (CN)**

CN	305313625	*	8/2019
CN	305480520	*	12/2019
CN	305692455	*	4/2020
CN	305729133	*	4/2020
CN	305795989	*	5/2020
CN	305830755	*	6/2020
CN	305845555	*	6/2020
CN	305991803	*	8/2020
EM	006575791-0001	*	6/2019
EM	008046270-0001	*	7/2020

(72) Inventor: **Gang Li, DongGuan (CN)**

(73) Assignee: **Guangdong Roman Technology Co., Ltd., Dongguan (CN)**

(*) Notice: This patent is subject to a terminal disclaimer.

* cited by examiner

(**) Term: **15 Years**

Primary Examiner — Lilyana Bekic

(21) Appl. No.: **29/694,480**

(74) *Attorney, Agent, or Firm* — Muncy, Geissler, Olds & Lowe, P.C.

(22) Filed: **Jun. 11, 2019**

(51) **LOC (13) Cl.** **24-02**

(57) **CLAIM**

The ornamental design for an oral waterjet, as shown and described.

(52) **U.S. Cl.**

DESCRIPTION

USPC **D24/111**

(58) **Field of Classification Search**

USPC D24/108, 111–115, 117, 152, 176
CPC A61C 17/20; A61C 17/00; A61C 17/005;
A61C 17/02; A61C 17/0202; A61C
17/0205; A61C 17/0211; A61C 17/36;
A61C 17/028; A61C 17/22; A61C
17/222; A61C 17/225; A61C 17/28

See application file for complete search history.

FIG. 1 is a perspective view of an oral waterjet showing my new design;
FIG. 2 is a front elevational view thereof, the rear elevational view being a mirror image thereof;
FIG. 3 is a left side elevational view thereof;
FIG. 4 is a right side elevational view thereof;
FIG. 5 is a top plan view thereof;
FIG. 6 is a bottom plan view thereof;
FIG. 7 is another perspective view thereof;
FIG. 8 is a perspective view thereof, shown in an extended state; and,
FIG. 9 is an enlarged view of an indicated portion of the perspective view of FIG. 8.

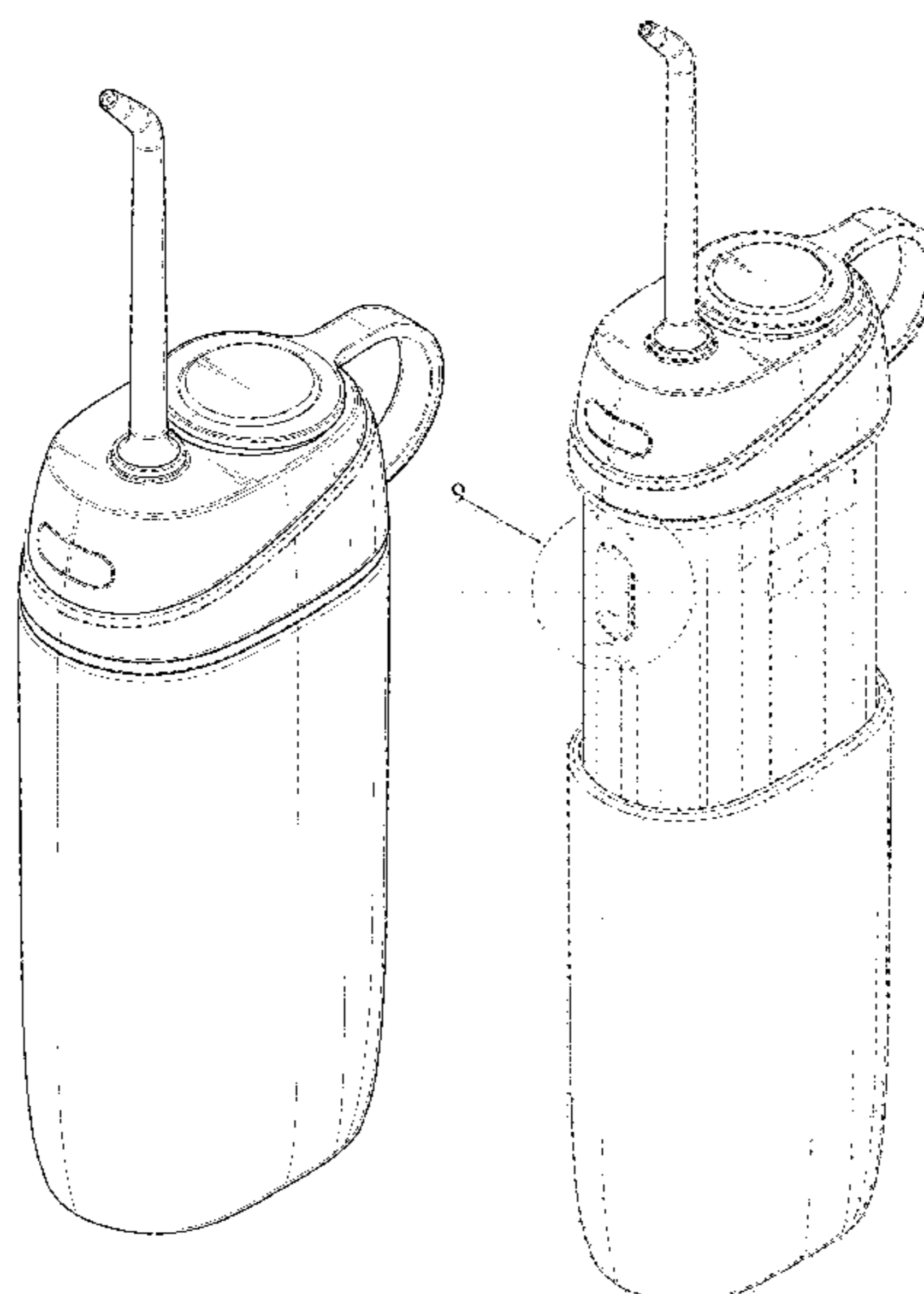
(56) **References Cited**

U.S. PATENT DOCUMENTS

D322,314 S	*	12/1991	Ohbayashi	D24/113
D373,631 S	*	9/1996	Maeda	D24/111
D413,975 S	*	9/1999	Maeda	D24/111
D625,406 S	*	10/2010	Seki	D24/111
D812,219 S	*	3/2018	Wang	D24/111
D865,160 S	*	10/2019	Yan	D24/111
D865,944 S	*	11/2019	Yan	D24/111

The dash-dot-dash lines in FIGS. 8 and 9 define the bounds of the enlargement and form no part of the claimed design. The broken lines in the drawings depict portions of the oral waterjet that form no part of the claimed design.

1 Claim, 7 Drawing Sheets



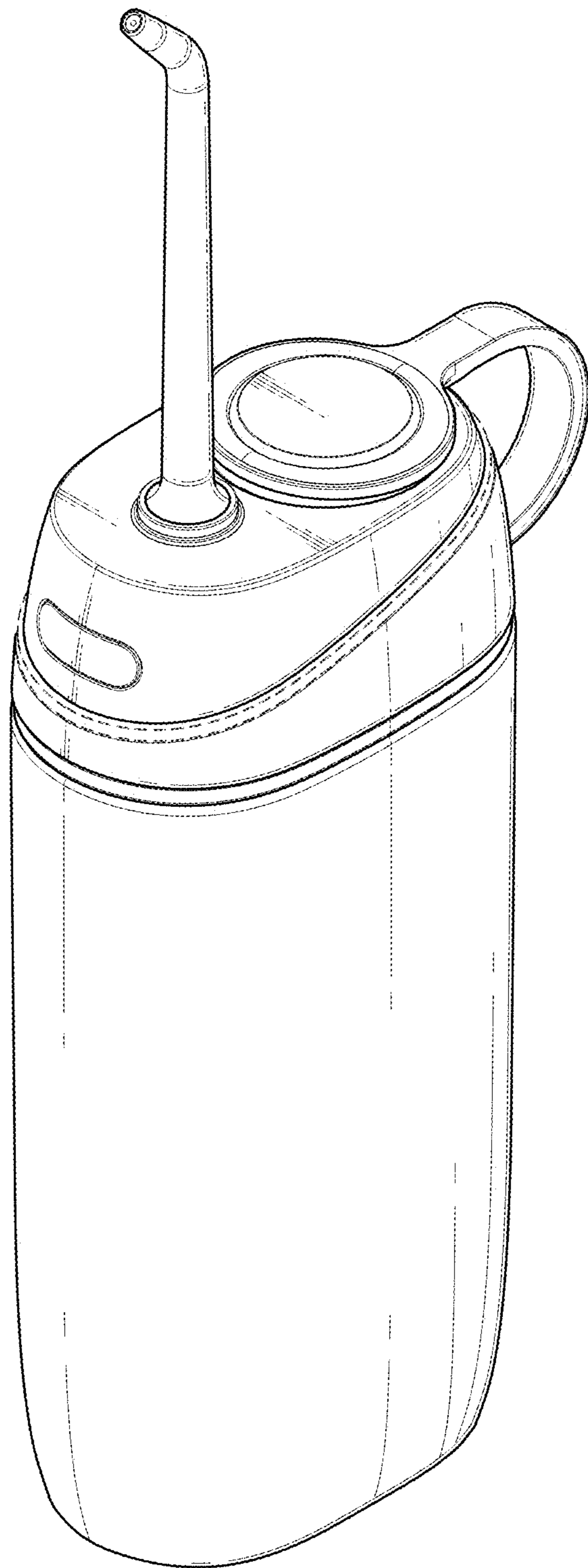


Fig. 1

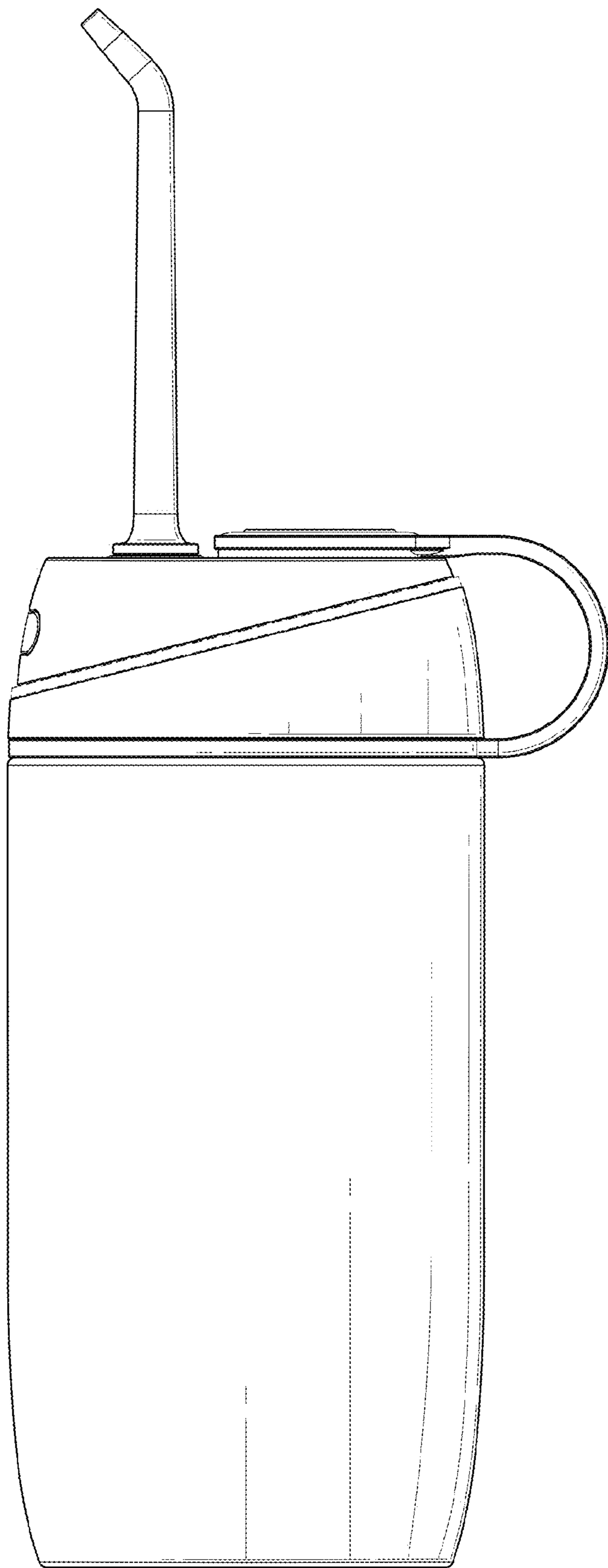


Fig. 2

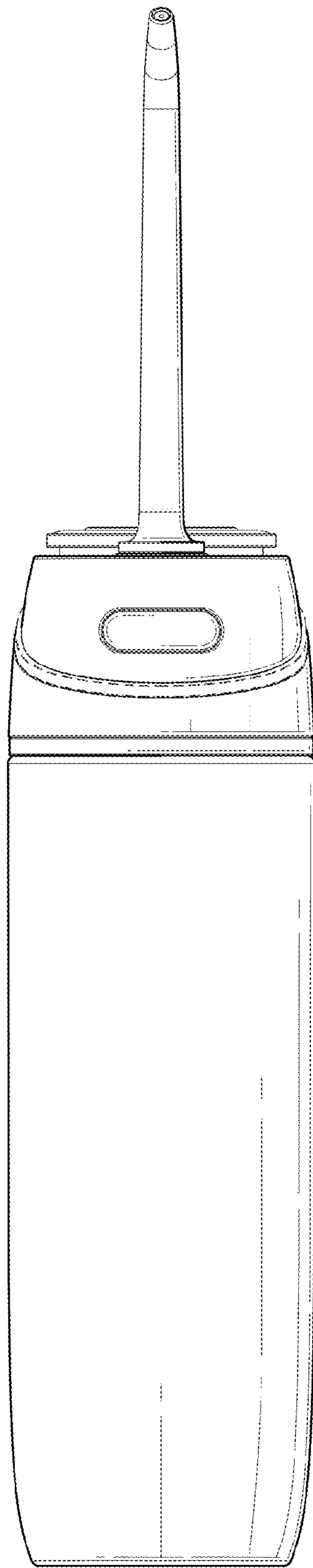


Fig. 3

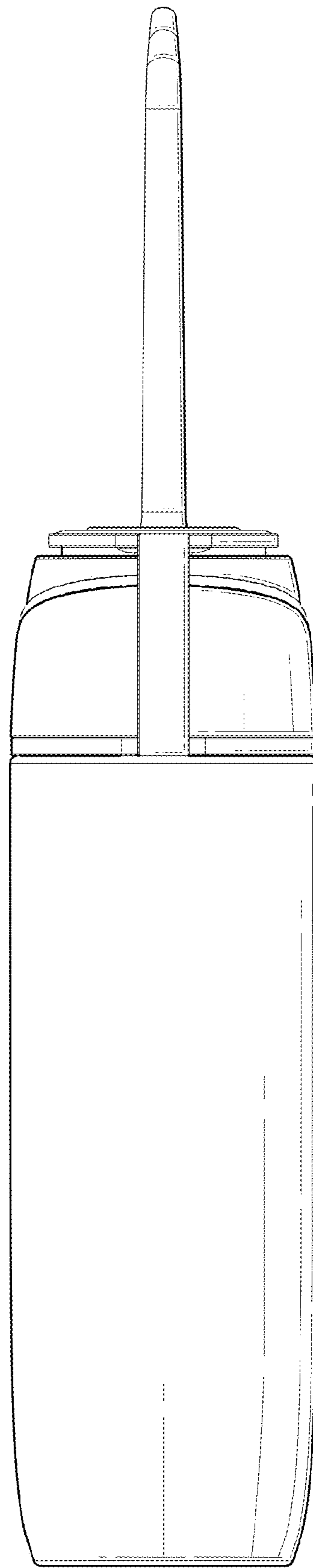


Fig. 4

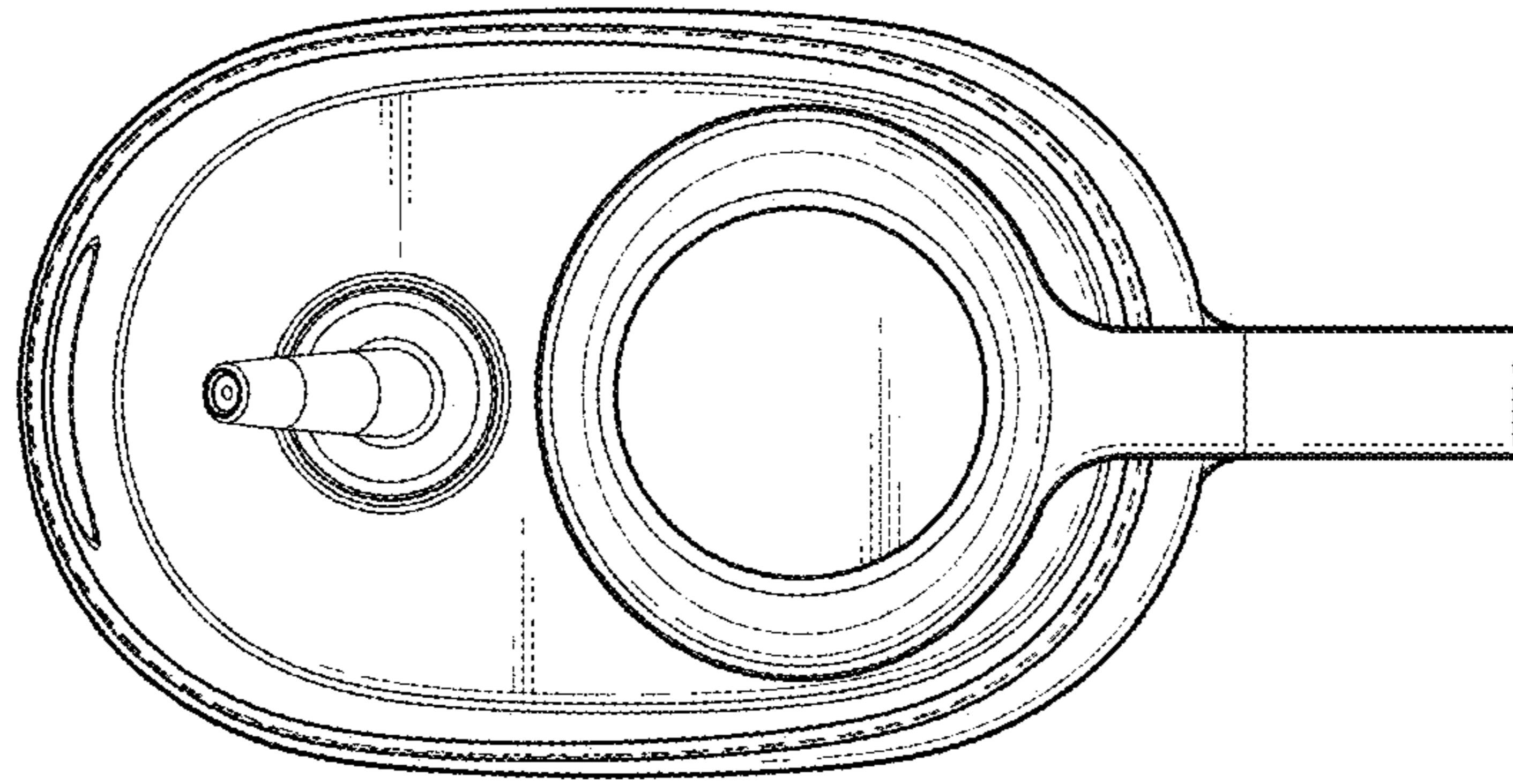


Fig. 5

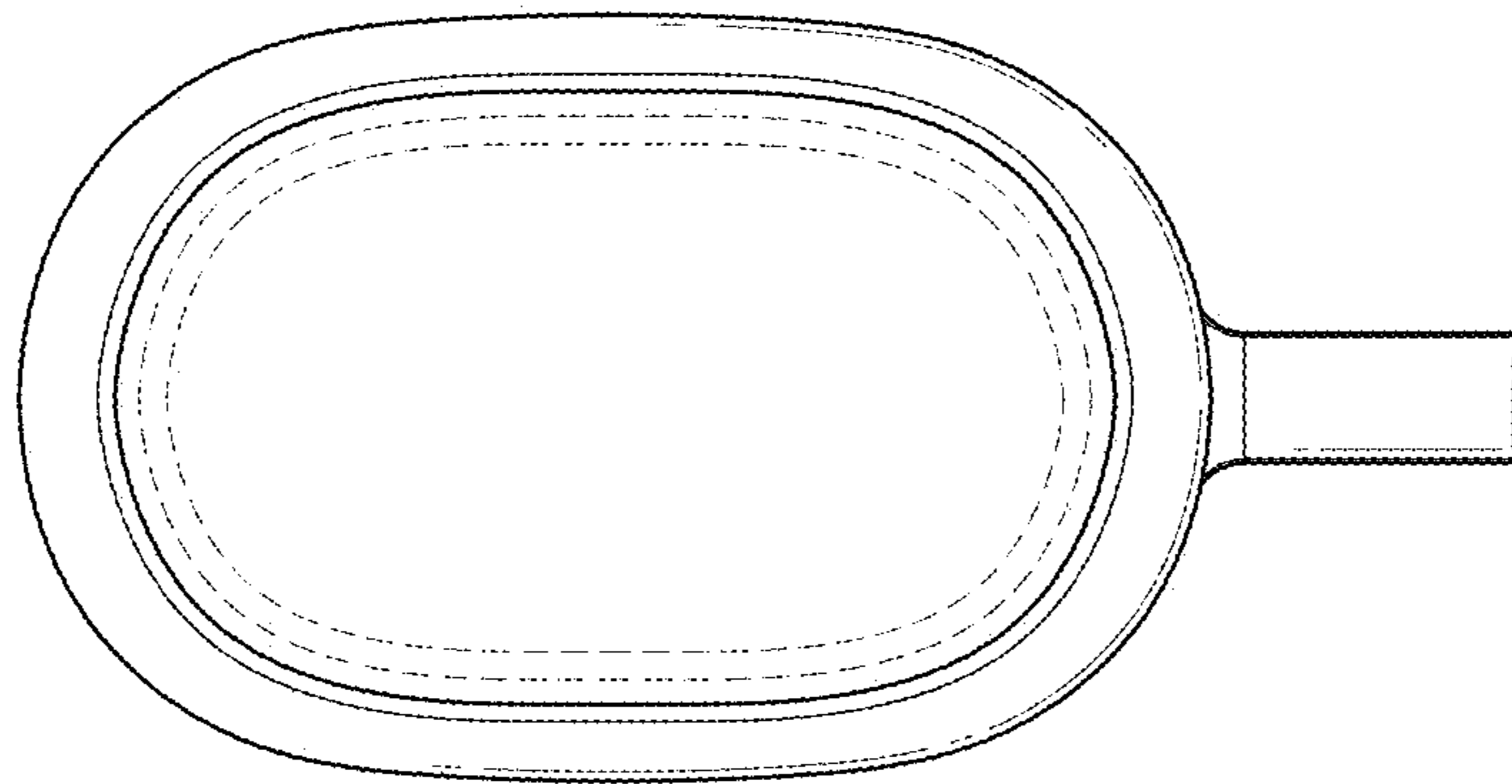


Fig. 6

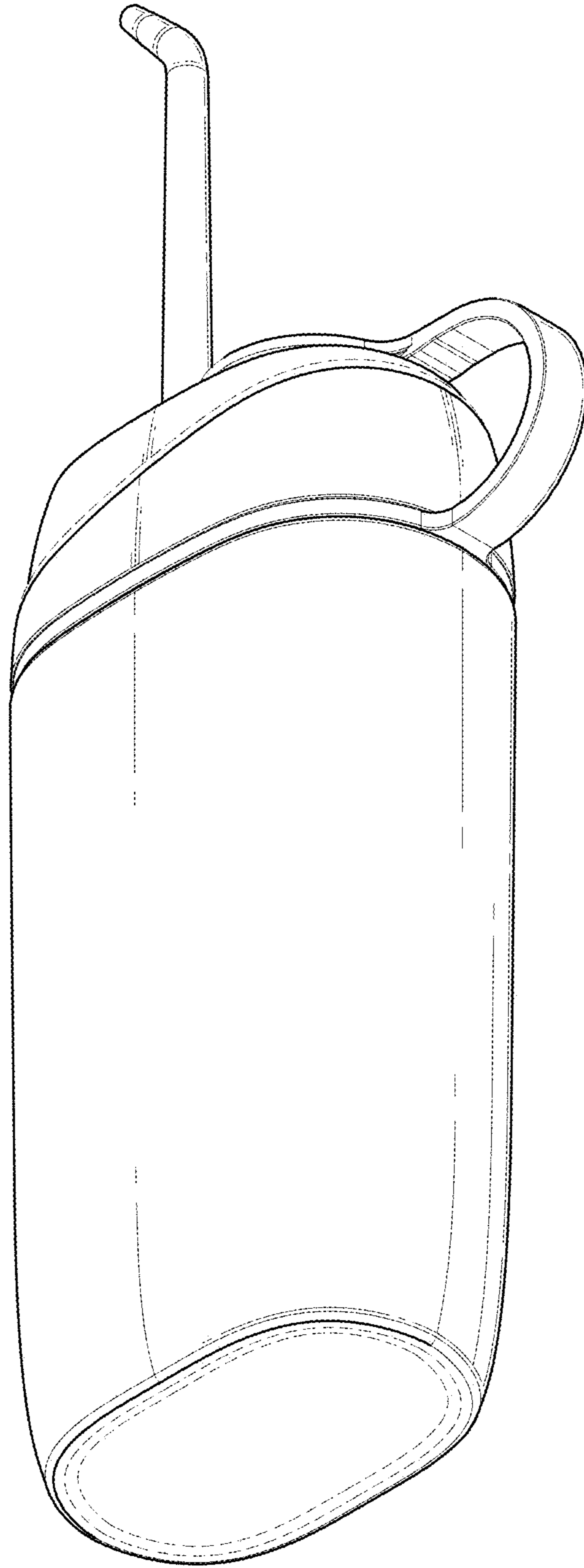


Fig. 7

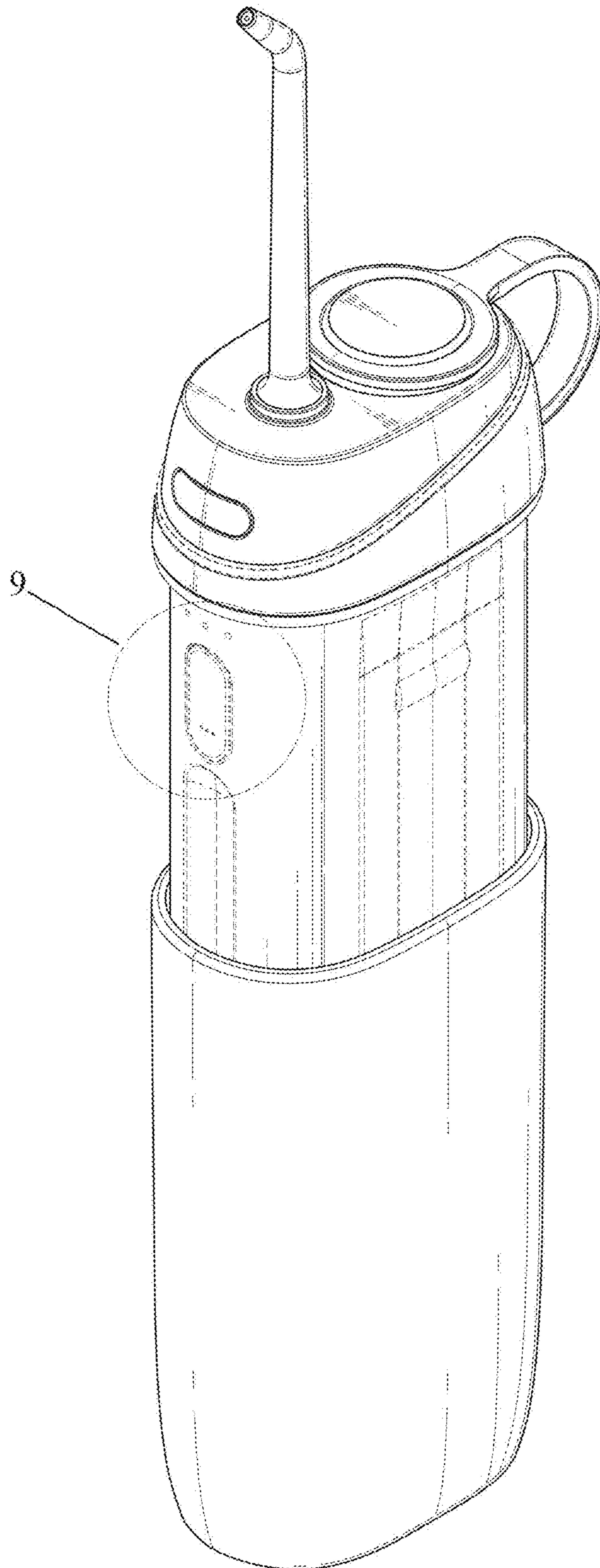


Fig. 8

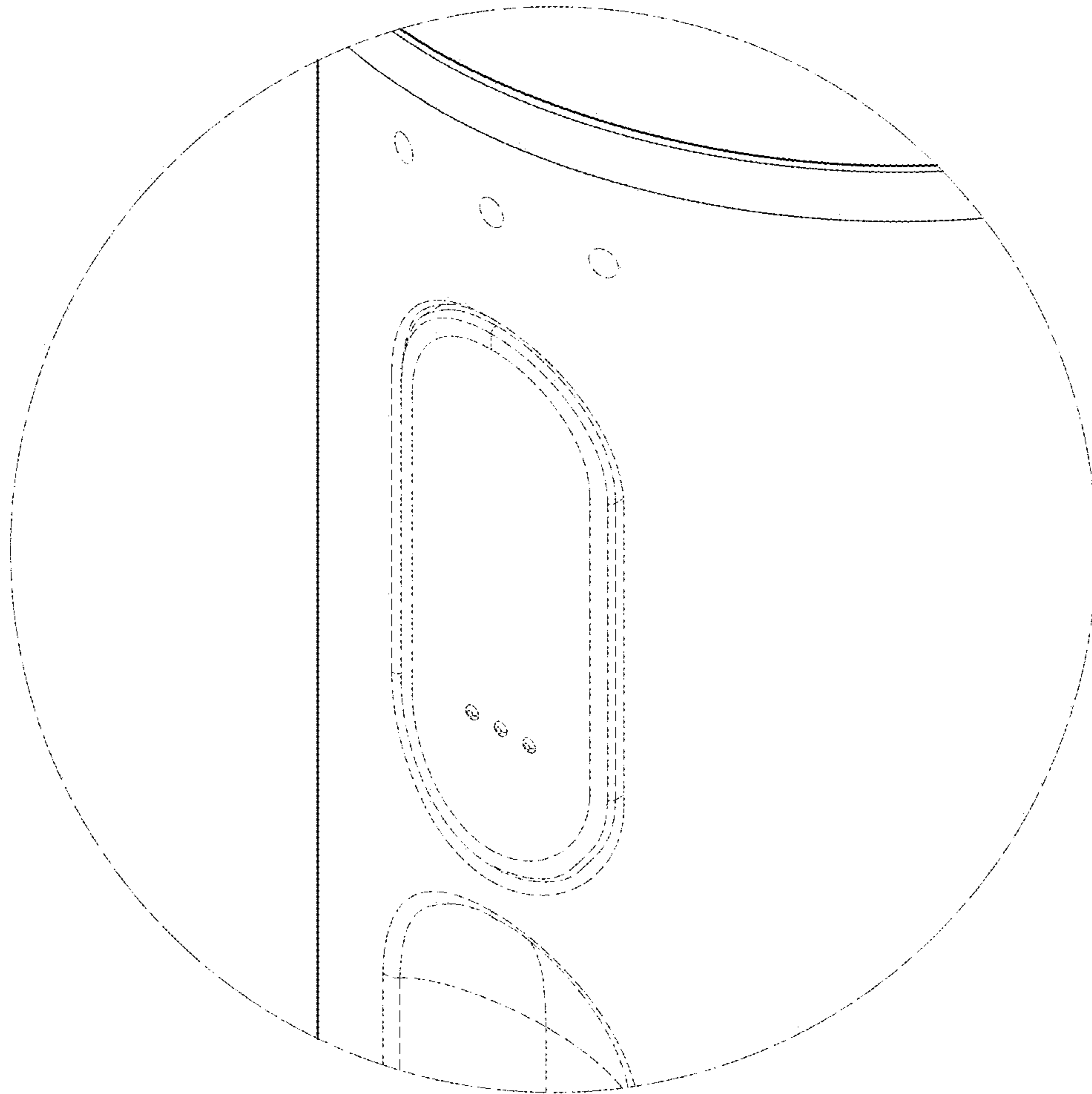


Fig. 9