



US00D932004S

(12) **United States Design Patent** (10) **Patent No.:** **US D932,004 S**
Scheirlinck et al. (45) **Date of Patent:** **** Sep. 28, 2021**

- (54) **ELBOW**
- (71) Applicant: **Fisher & Paykel Healthcare Limited**, Auckland (NZ)
- (72) Inventors: **Erik Robertus Scheirlinck**, Auckland (NZ); **Man Hei Jade Kwong**, Auckland (NZ)
- (73) Assignee: **FISHER & PAYKEL HEALTHCARE LIMITED**, Auckland (NZ)
- (**) Term: **15 Years**
- (21) Appl. No.: **29/752,652**
- (22) Filed: **Sep. 28, 2020**

- D619,701 S 7/2010 Edwards et al.
- D648,845 S 11/2011 Omura et al.
- D652,909 S 1/2012 Smart et al.
- D692,554 S * 10/2013 Siew D24/110.4
- 8,887,726 B2 11/2014 Schulz et al.
- RE45,985 E 4/2016 McAuley et al.
- D817,478 S 5/2018 Zoellner et al.
- D819,801 S 6/2018 Henry et al.
- D852,355 S 6/2019 Fiorenza
- 10,335,583 B2 7/2019 Gulliver et al.
- D856,510 S 8/2019 Scheirlinck et al.
- D857,190 S * 8/2019 Siew D24/110.4
- D866,748 S 11/2019 Khabiri et al.
- D876,617 S 2/2020 Scheirlinck et al.
- 10,603,457 B2 3/2020 Chang
- 10,632,276 B2 4/2020 Fyfe et al.
- D884,152 S * 5/2020 Law D24/110.4
- D891,610 S * 7/2020 Eves D24/110.4
- D892,307 S * 8/2020 Wang D24/110.4

(Continued)

Related U.S. Application Data

- (60) Continuation of application No. 29/720,971, filed on Jan. 16, 2020, now Pat. No. Des. 901,004, which is a continuation of application No. 29/694,004, filed on Jun. 6, 2019, now Pat. No. Des. 876,617, which is a division of application No. 29/635,207, filed on Jan. 29, 2018, now Pat. No. Des. 856,510.

- (51) **LOC (13) Cl.** **29-02**
- (52) **U.S. Cl.**

USPC **D24/110.4**

- (58) **Field of Classification Search**
- USPC D24/110, 110.4, 110.5, 110.6, 129, 110.1
- CPC A61M 16/06; A61M 16/0816; A61M 16/0683; A61M 16/0825; A61M 16/0622; A61M 16/0633; A61M 16/0833; A61M 16/0616; A61M 16/08

See application file for complete search history.

- (56) **References Cited**

U.S. PATENT DOCUMENTS

- D556,899 S 12/2007 Veliss et al.
- D583,047 S 12/2008 Chandran et al.

Primary Examiner — Lilyana Bekic

(74) *Attorney, Agent, or Firm* — Knobbe, Martens, Olson & Bear, LLP

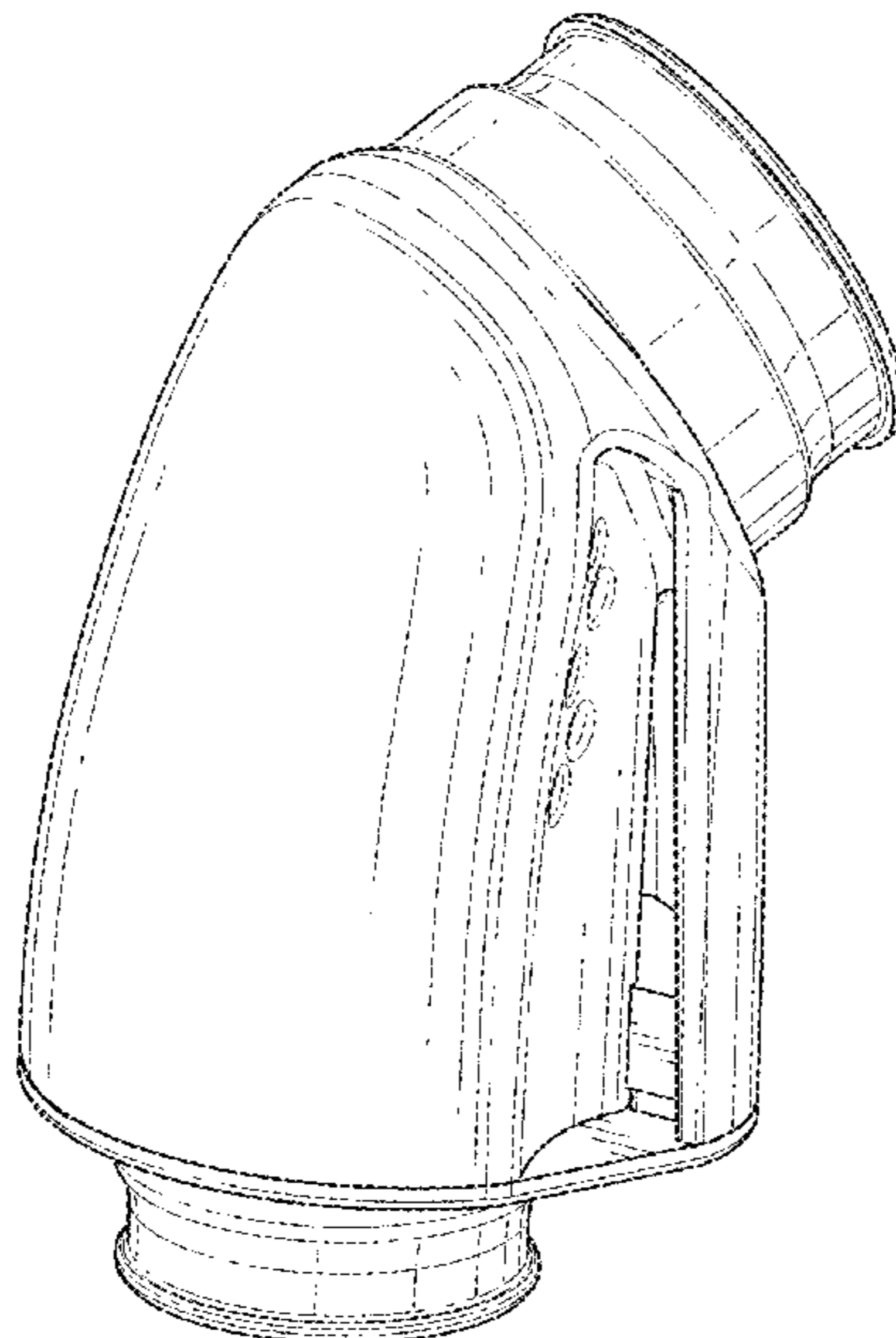
(57) **CLAIM**

The ornamental design for an elbow, as shown and described.

DESCRIPTION

FIG. 1 is a top, front, and right side perspective view of a first embodiment of an elbow embodying our new design; FIG. 2 is a front view thereof; FIG. 3 is a rear view thereof; FIG. 4 is a left side view thereof; FIG. 5 is a right side view thereof; FIG. 6 is a top view thereof; FIG. 7 is a bottom view thereof; and, FIG. 8 is a cross-sectional view taken along line 8-8 of FIG. 7.

1 Claim, 5 Drawing Sheets



(56)

References Cited

U.S. PATENT DOCUMENTS

| | | | | |
|--------------|------|---------|-------------------|--------------|
| 10,751,499 | B2 * | 8/2020 | Salmon | A61M 16/0816 |
| 2008/0314389 | A1 | 12/2008 | Thomas et al. | |
| 2009/0065729 | A1 | 3/2009 | Warboys et al. | |
| 2009/0139527 | A1 | 6/2009 | Ng et al. | |
| 2009/0260628 | A1 | 10/2009 | Flynn, Sr. | |
| 2009/0260629 | A1 | 10/2009 | Yee et al. | |
| 2014/0150798 | A1 | 6/2014 | Fong et al. | |
| 2014/0338669 | A1 | 11/2014 | Zhao et al. | |
| 2015/0000671 | A1 | 1/2015 | Frerichs et al. | |
| 2015/0283349 | A1 | 10/2015 | McLaren et al. | |
| 2015/0320962 | A1 | 11/2015 | Bafle et al. | |
| 2016/0082218 | A1 | 3/2016 | Lau et al. | |
| 2017/0197055 | A1 | 7/2017 | Moody et al. | |
| 2017/0296770 | A1 | 10/2017 | Gunaratnam et al. | |
| 2018/0185598 | A1 | 7/2018 | Olsen et al. | |
| 2018/0207389 | A1 | 7/2018 | Fyfe et al. | |
| 2019/0099577 | A1 | 4/2019 | Fiorenza | |
| 2019/0217029 | A1 | 7/2019 | Lawrence | |
| 2019/0321617 | A1 | 10/2019 | Gulliver et al. | |
| 2019/0388642 | A1 | 12/2019 | Le | |
| 2020/0001034 | A1 * | 1/2020 | Chen | A61M 16/0644 |
| 2020/0016355 | A1 | 1/2020 | Eilfer | |
| 2020/0101248 | A1 | 4/2020 | Baba et al. | |
| 2020/0101251 | A1 | 4/2020 | Thomas | |
| 2020/0101255 | A1 | 4/2020 | Golub et al. | |
| 2020/0129720 | A1 * | 4/2020 | McLaren | A61M 16/0816 |
| 2020/0130914 | A1 * | 4/2020 | Scheirlinck | B65D 77/26 |
| 2020/0289774 | A1 * | 9/2020 | Lim | A61M 16/0816 |
| 2020/0324150 | A1 * | 10/2020 | Nelson | A61M 16/20 |

* cited by examiner

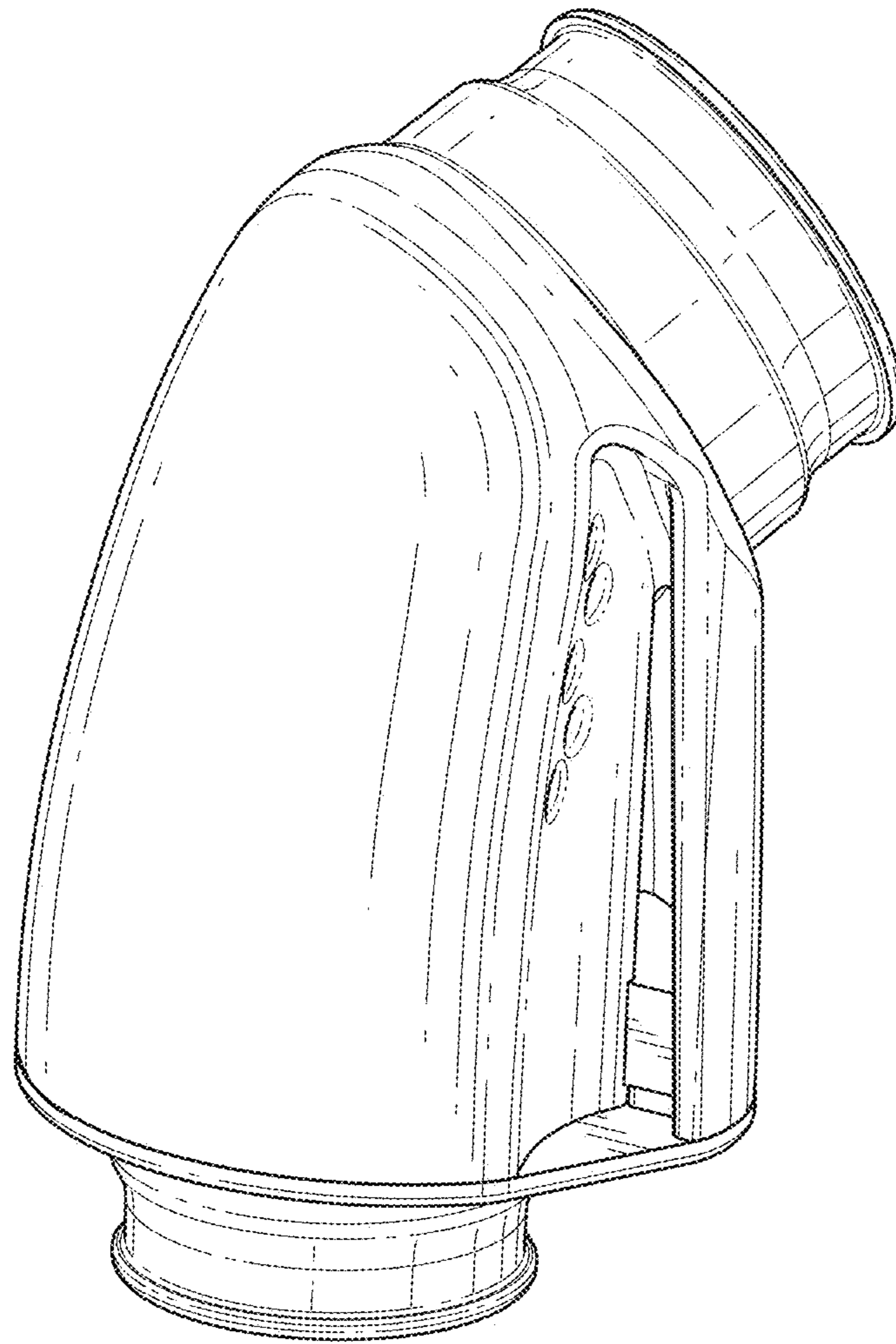


FIG. 1

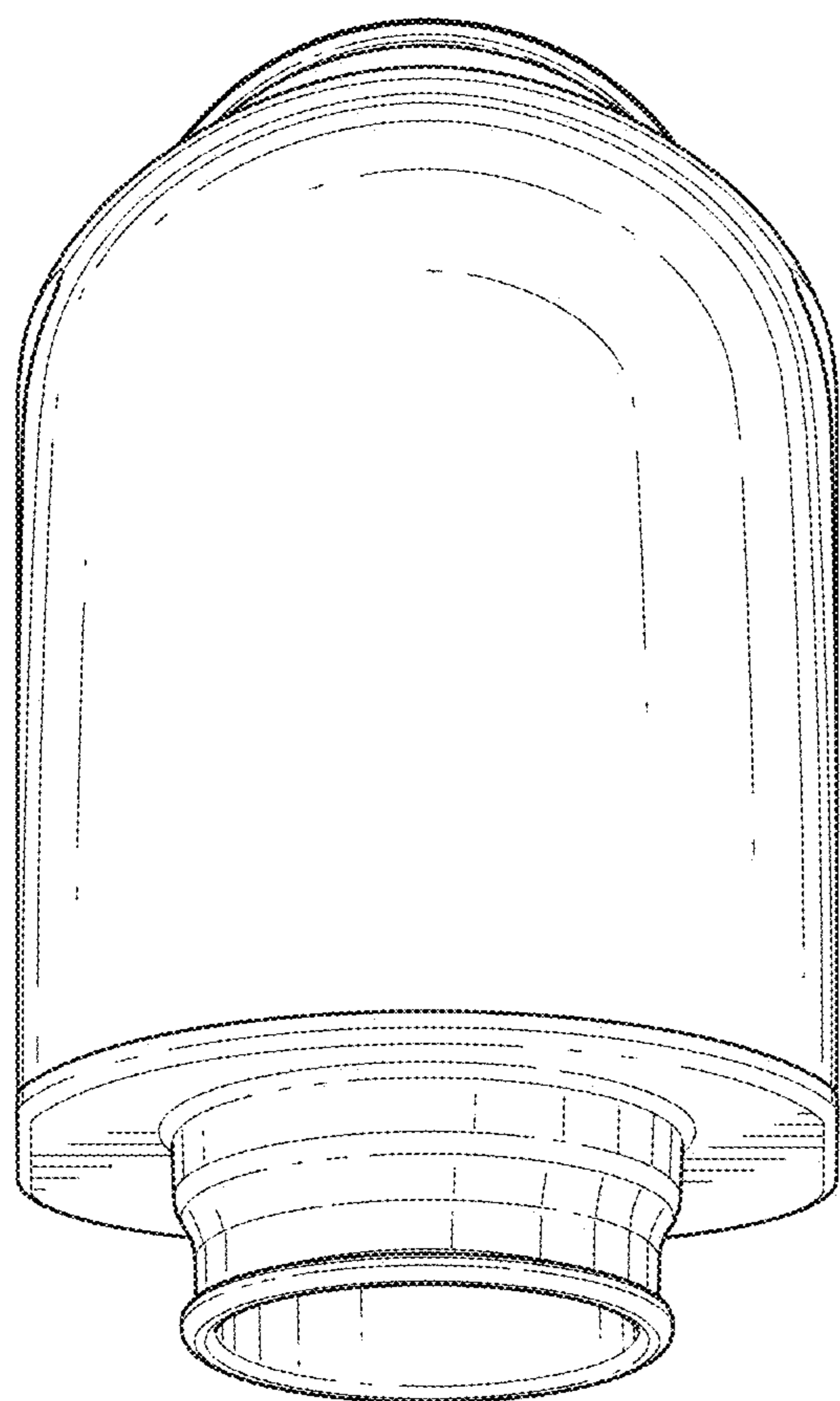


FIG. 2

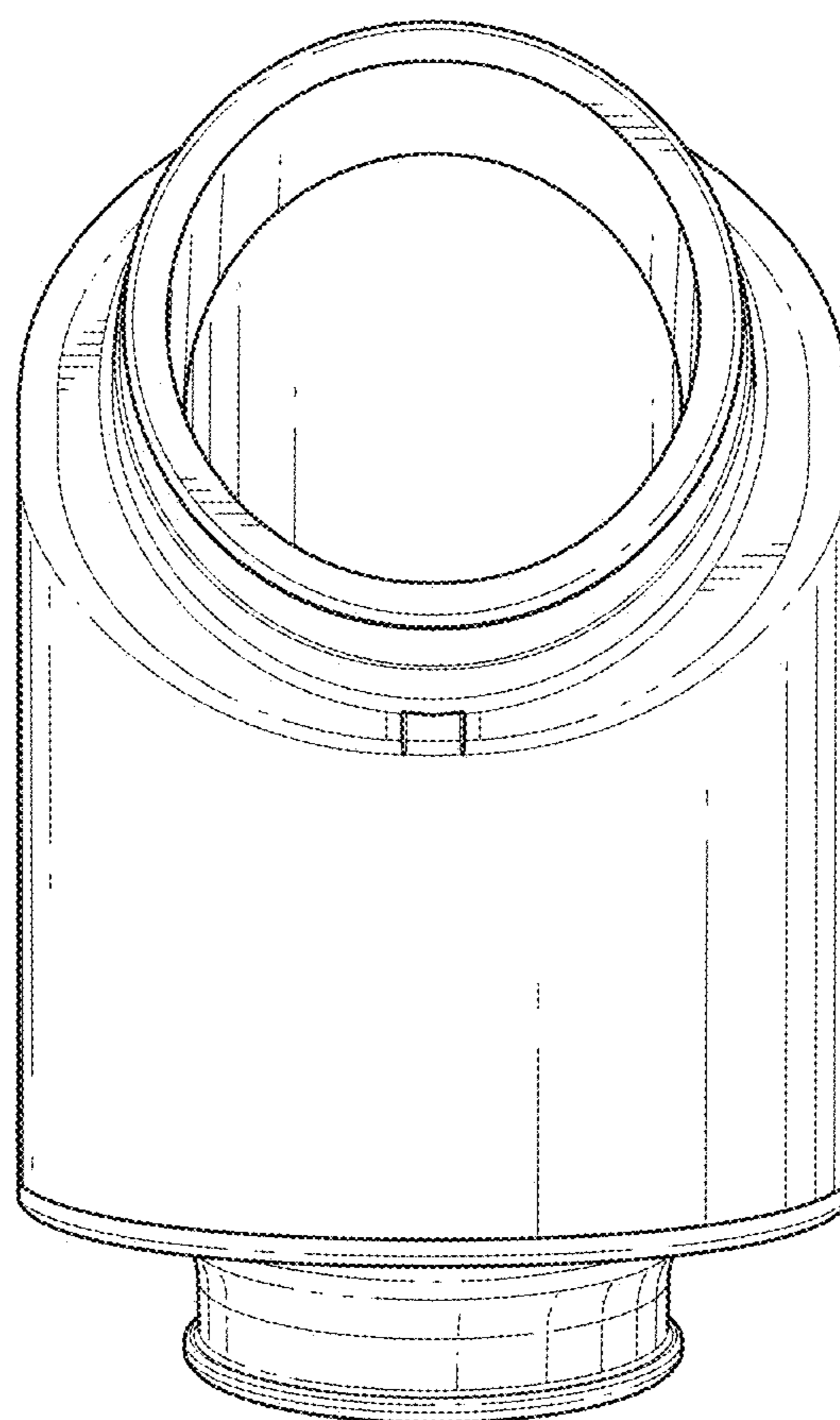


FIG. 3

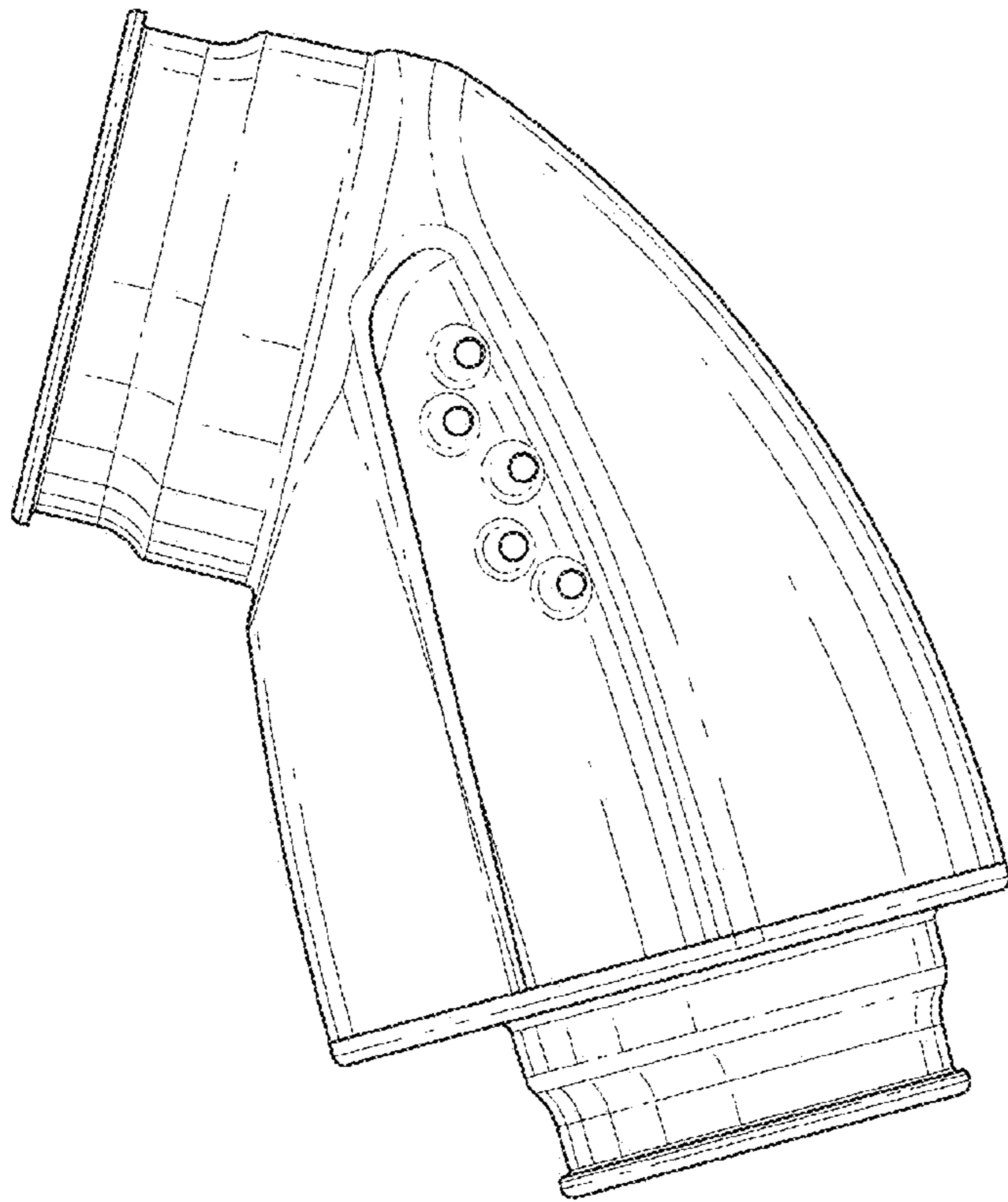


FIG. 4

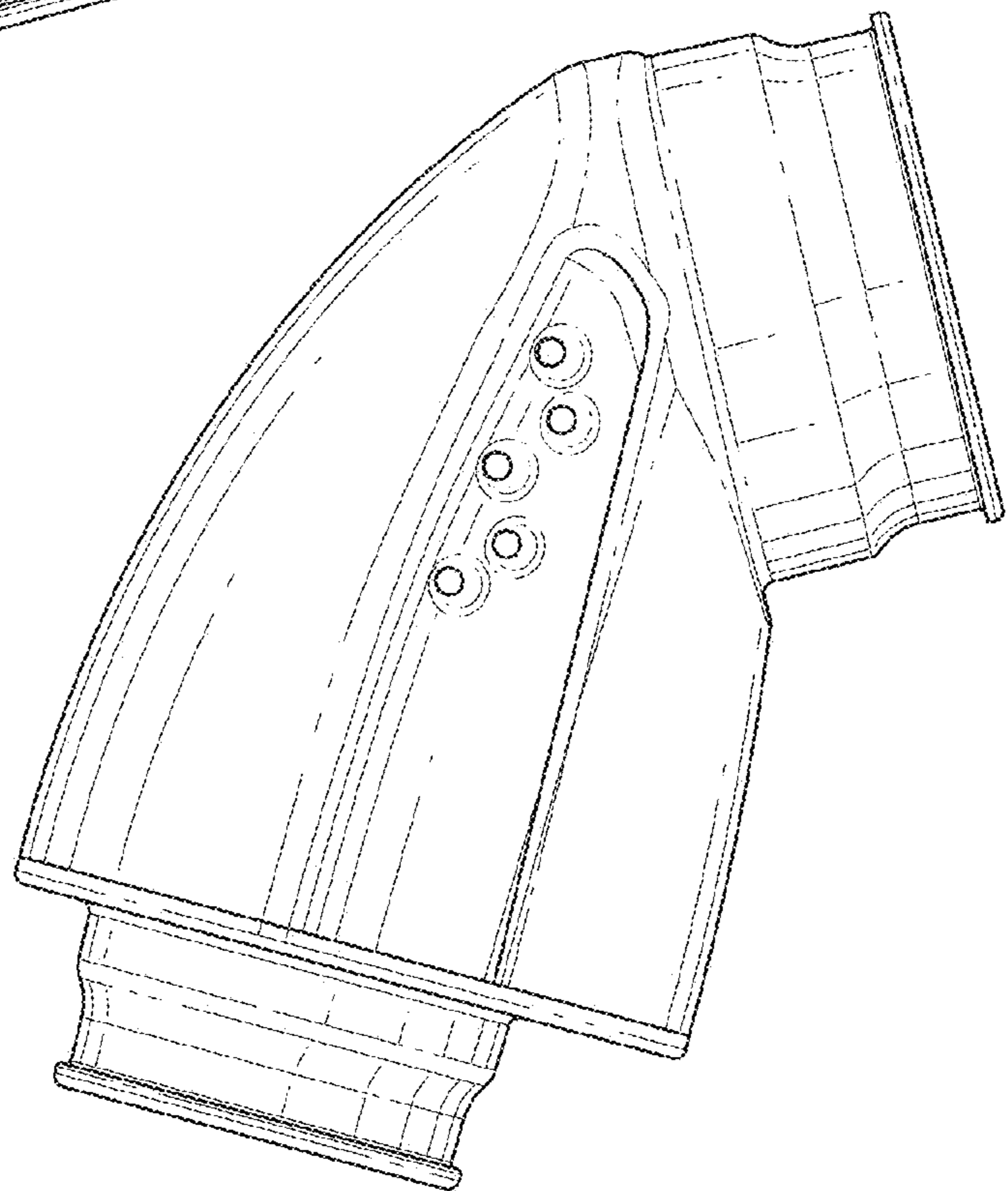


FIG. 5

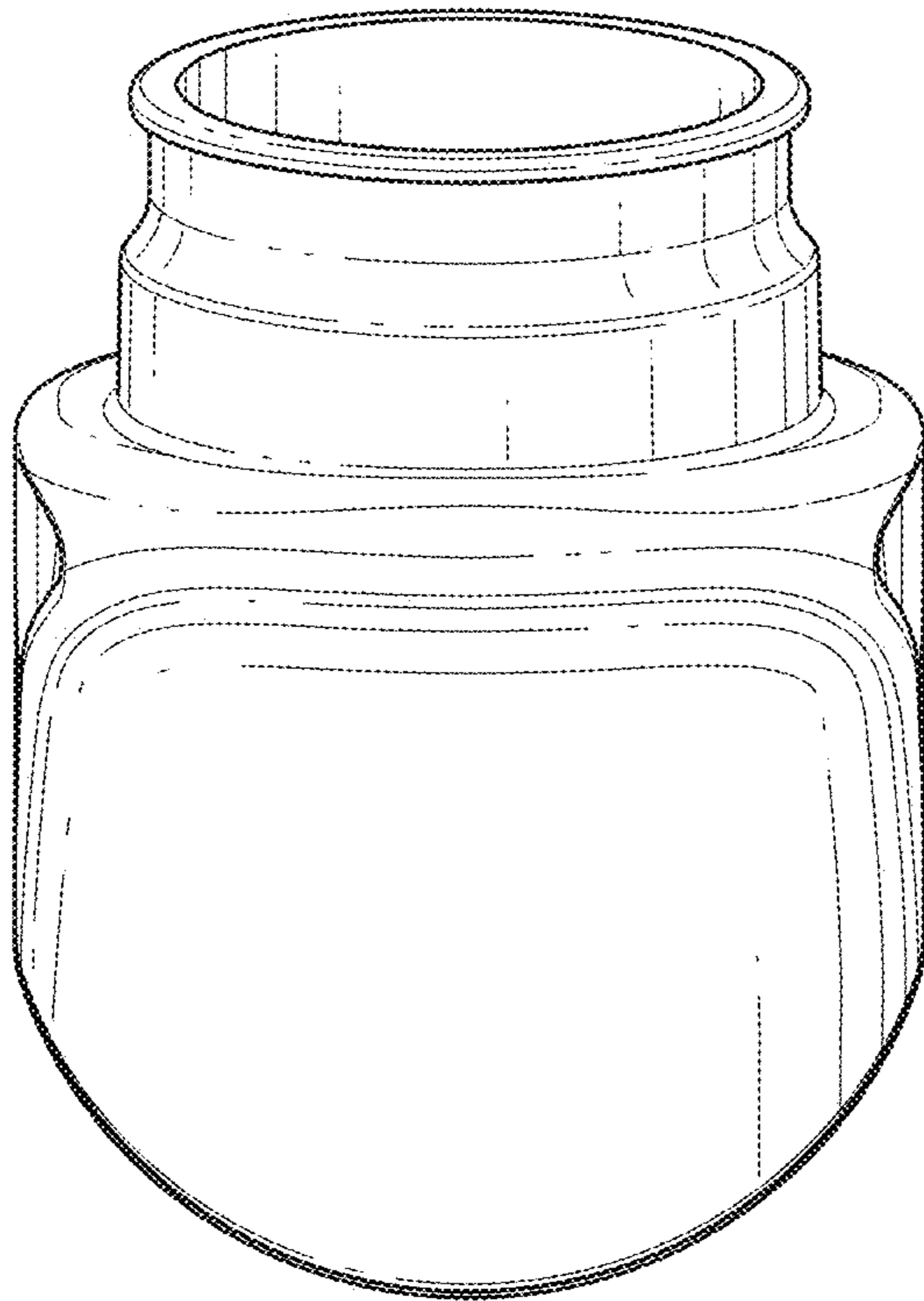


FIG. 6

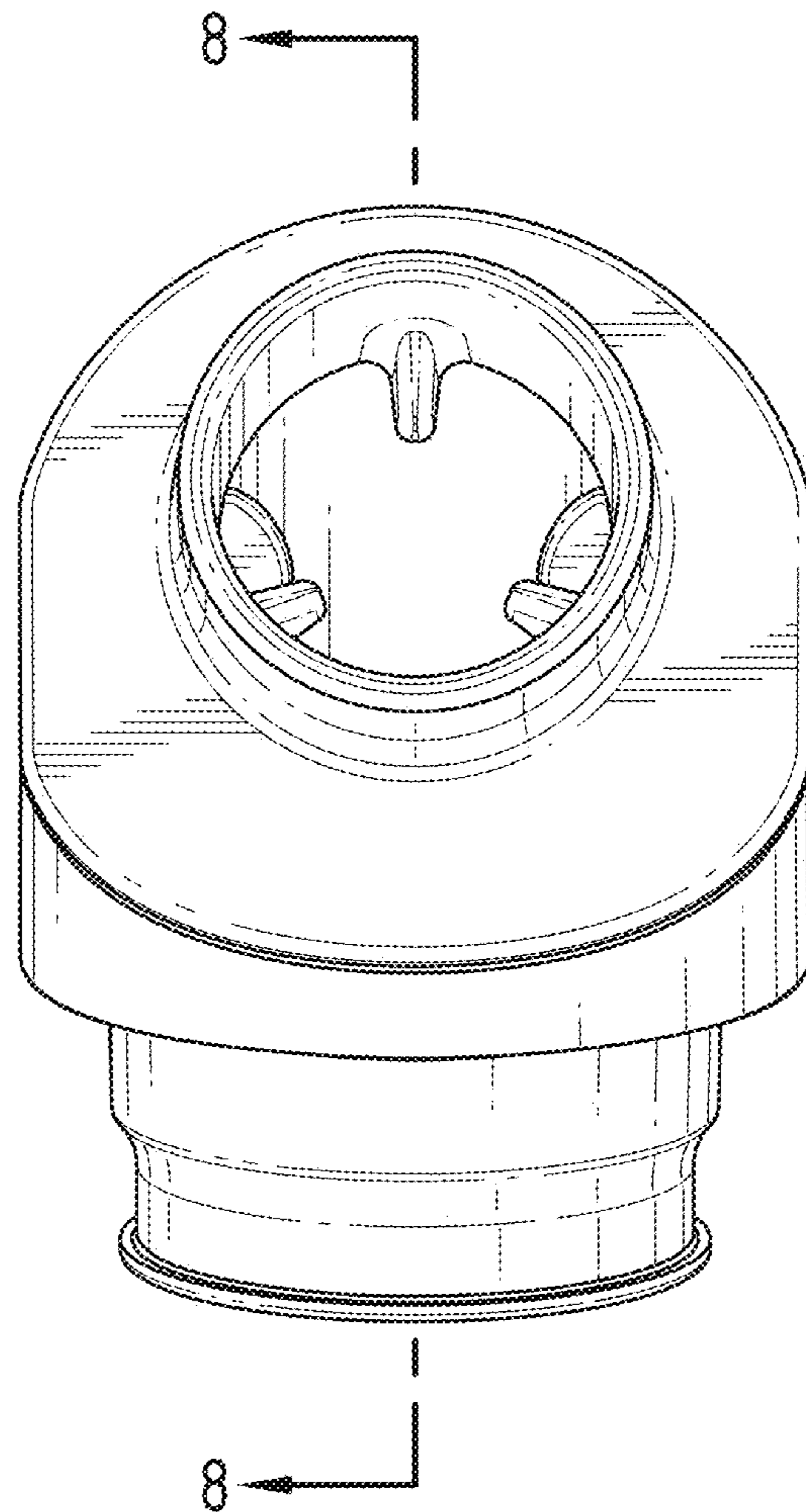


FIG. 7

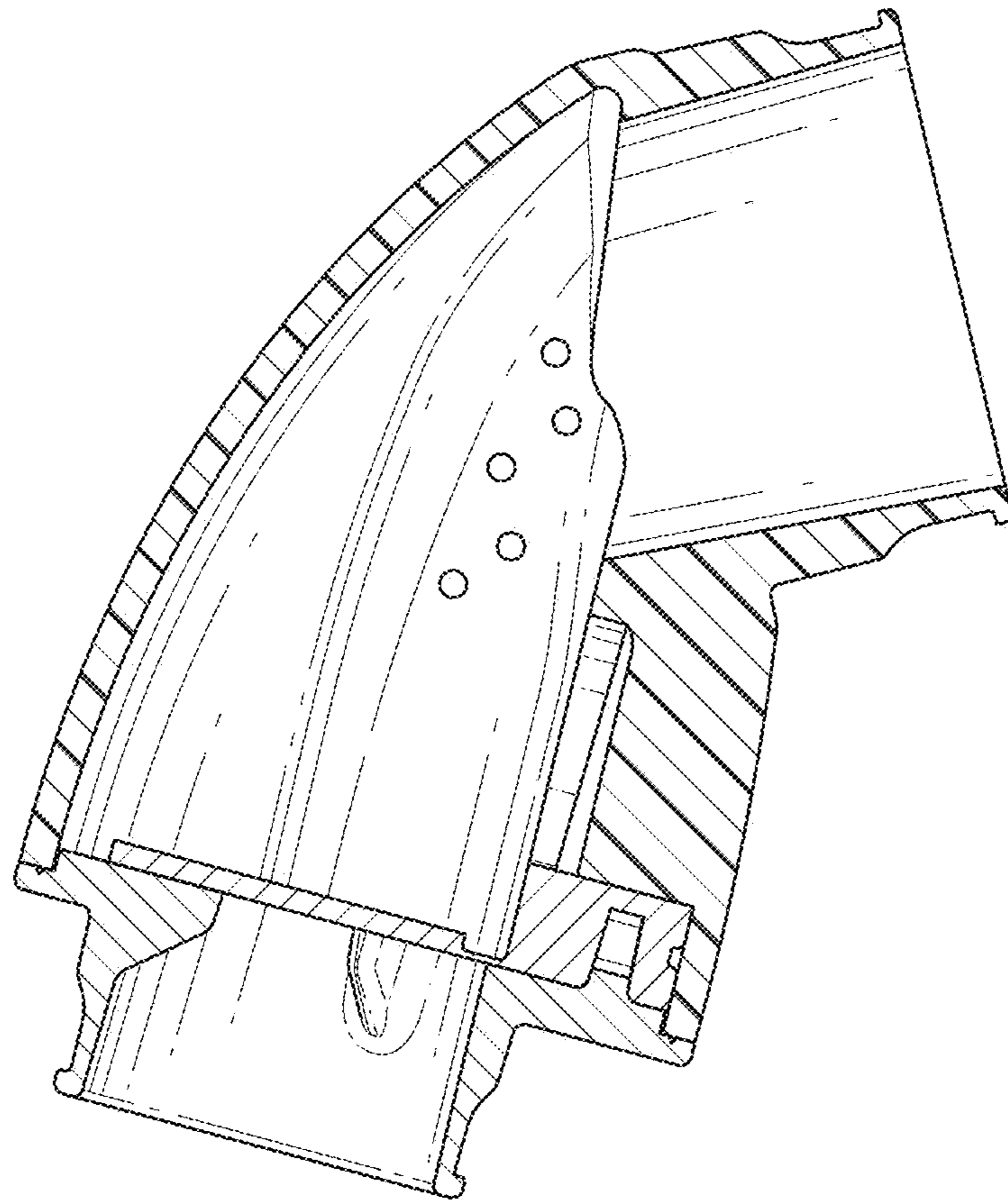


FIG. 8