



US00D932002S

(12) **United States Design Patent** (10) **Patent No.:** **US D932,002 S**
Yuan (45) **Date of Patent:** **** Sep. 28, 2021**

- (54) **TRIPLE LAYER INDUSTRIAL EARPLUG**
- (71) Applicant: **SHENZHEN YUNDE TECHNOLOGY CO., LTD.**, Shenzhen (CN)
- (72) Inventor: **Jinniu Yuan**, Shenzhen (CN)
- (73) Assignee: **SHENZHEN YUNDE TECHNOLOGY CO., LTD.**, Shenzhen (CN)
- (**) Term: **15 Years**
- (21) Appl. No.: **29/749,503**
- (22) Filed: **Sep. 5, 2020**
- (51) **LOC (13) Cl.** **24-04**
- (52) **U.S. Cl.**
USPC **D24/106**
- (58) **Field of Classification Search**
USPC D24/106, 173, 174; D14/223; D29/112
CPC A61F 11/08; A61F 11/12; A61F 11/008
See application file for complete search history.

(56) **References Cited**

U.S. PATENT DOCUMENTS

D298,356 S *	11/1988	Falco	D24/106
D434,139 S *	11/2000	Foslien	D24/106
D435,645 S *	12/2000	Westerdal	D24/106
D436,164 S	1/2001	Foslien		
D472,627 S *	4/2003	Falco	A61F 11/08 D24/106
D492,766 S	7/2004	Falco		
D592,300 S	5/2009	Yeh		
D618,333 S	6/2010	Turdjian		
D624,999 S	10/2010	Turdjian et al.		
D651,302 S	12/2011	Falco		
D739,518 S	9/2015	Butler		
D739,520 S	9/2015	Butler		
D745,135 S	12/2015	Butler		

D846,124 S *	4/2019	Wagner	D24/174
D872,062 S *	1/2020	Cui	D14/223
2003/0172938 A1 *	9/2003	Falco	A61F 11/08 128/864
2004/0069310 A1 *	4/2004	Falco	A61F 11/08 128/864
2007/0102007 A1 *	5/2007	Falco	A61F 11/08 128/864
2007/0183606 A1 *	8/2007	Doty	A61F 11/12 381/72
2008/0187159 A1 *	8/2008	Blanchard	A61F 11/08 381/328
2010/0294285 A1 *	11/2010	Turdjian	A61F 11/08 128/867
2013/0126262 A1 *	5/2013	Wilmink	A61F 11/08 181/135
2014/0112520 A1 *	4/2014	Knudsen	H04R 1/1083 381/380
2015/0047651 A1 *	2/2015	Haapapuro	A61F 11/12 128/866

(Continued)

Primary Examiner — Richelle G Shelton

(74) Attorney, Agent, or Firm — Law Offices of Steven W. Weinrieb

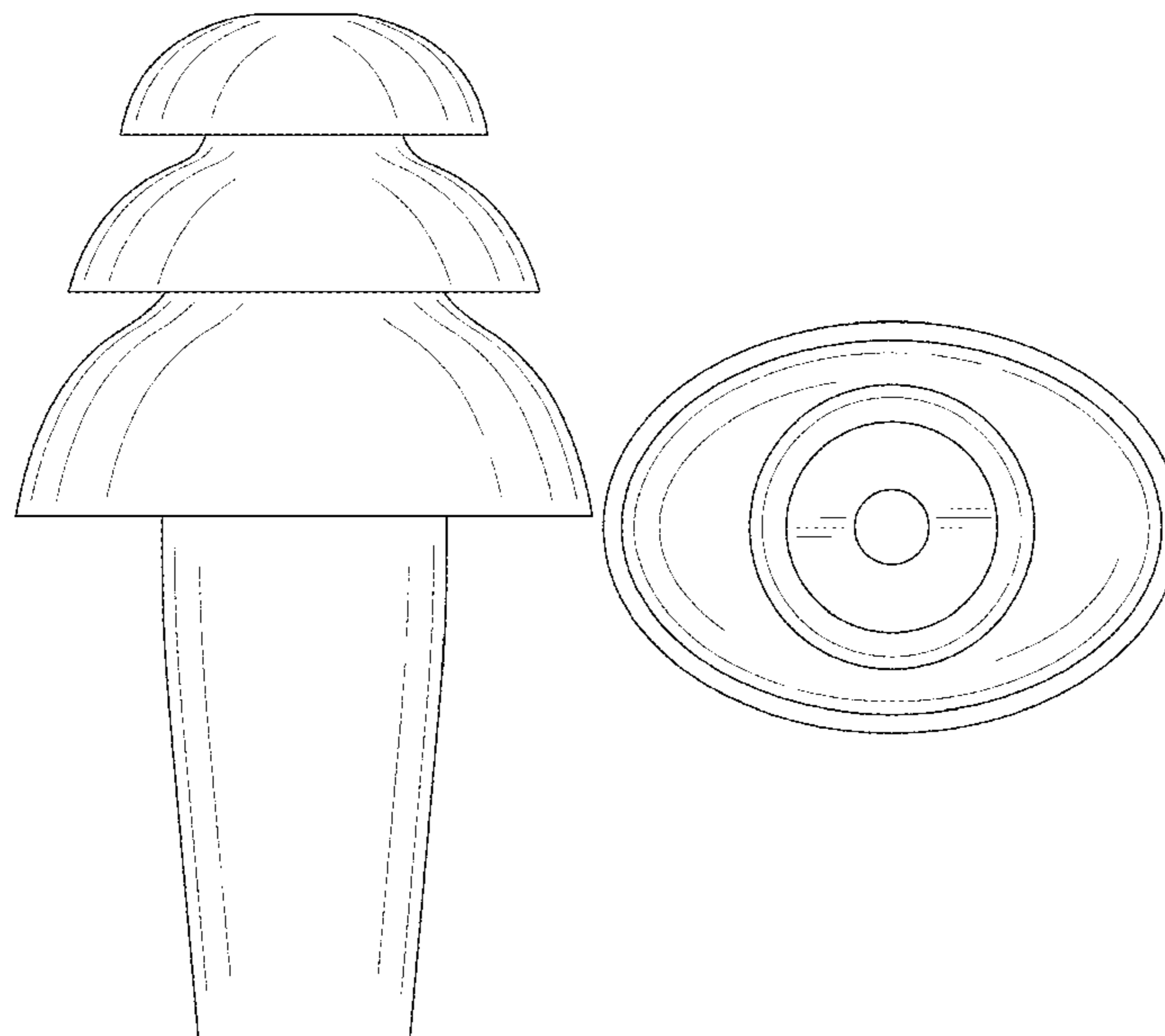
(57) **CLAIM**

The ornamental design for triple layer industrial earplug, as shown and described.

DESCRIPTION

FIG. 1 is a front, right side, top perspective view of a triple layer industrial earplug showing my new design; FIG. 2 is a front, left side, bottom perspective view thereof; FIG. 3 is a front elevational view thereof; FIG. 4 is a rear elevational view thereof; FIG. 5 is a left side elevational view thereof; FIG. 6 is a right side elevational view thereof; FIG. 7 is a top plan view thereof; and, FIG. 8 is a bottom plan view thereof.

1 Claim, 8 Drawing Sheets



(56)

References Cited

U.S. PATENT DOCUMENTS

2015/0049896 A1* 2/2015 Blanchard A61F 11/08
381/380

* cited by examiner

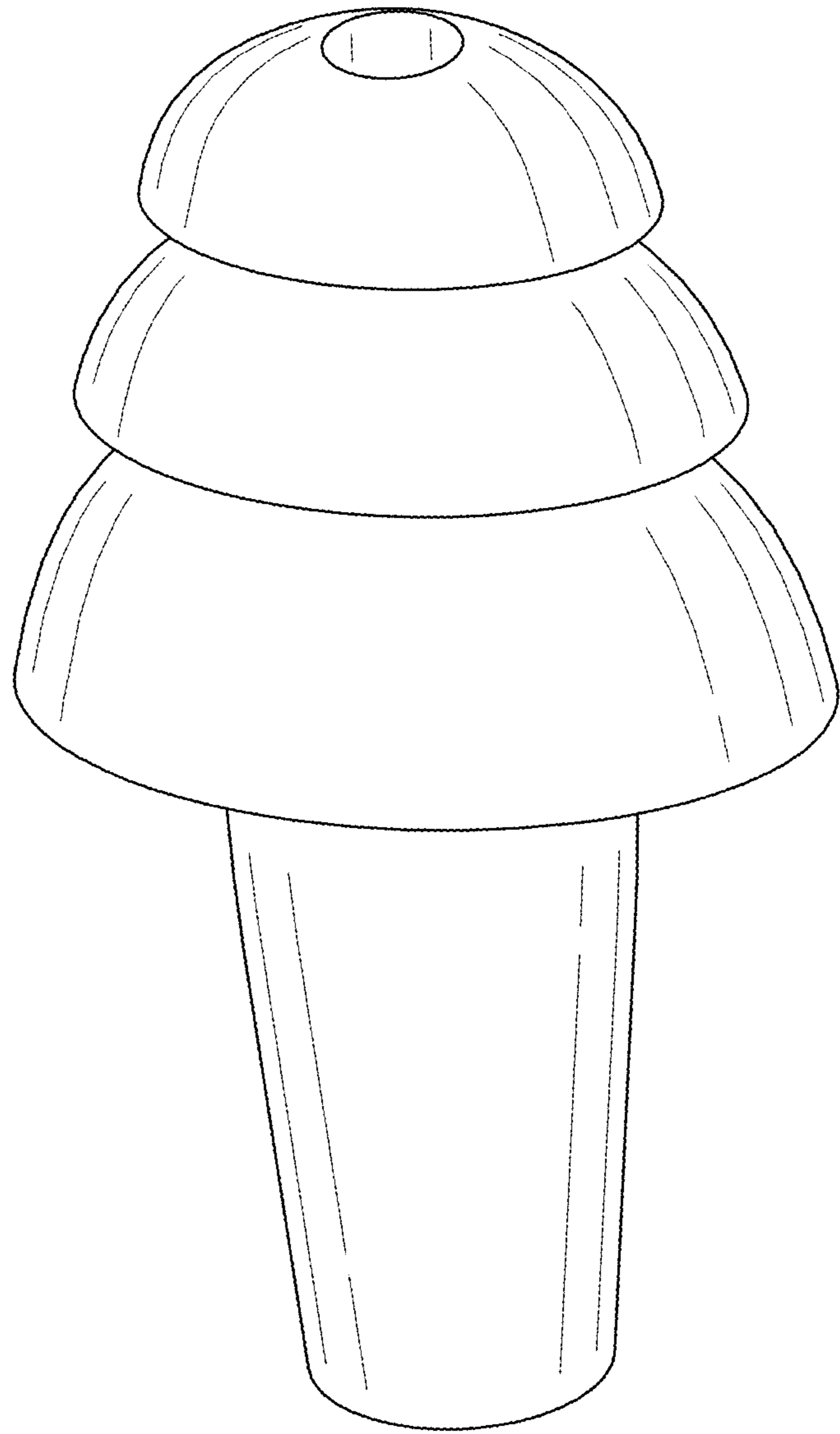


FIG.1

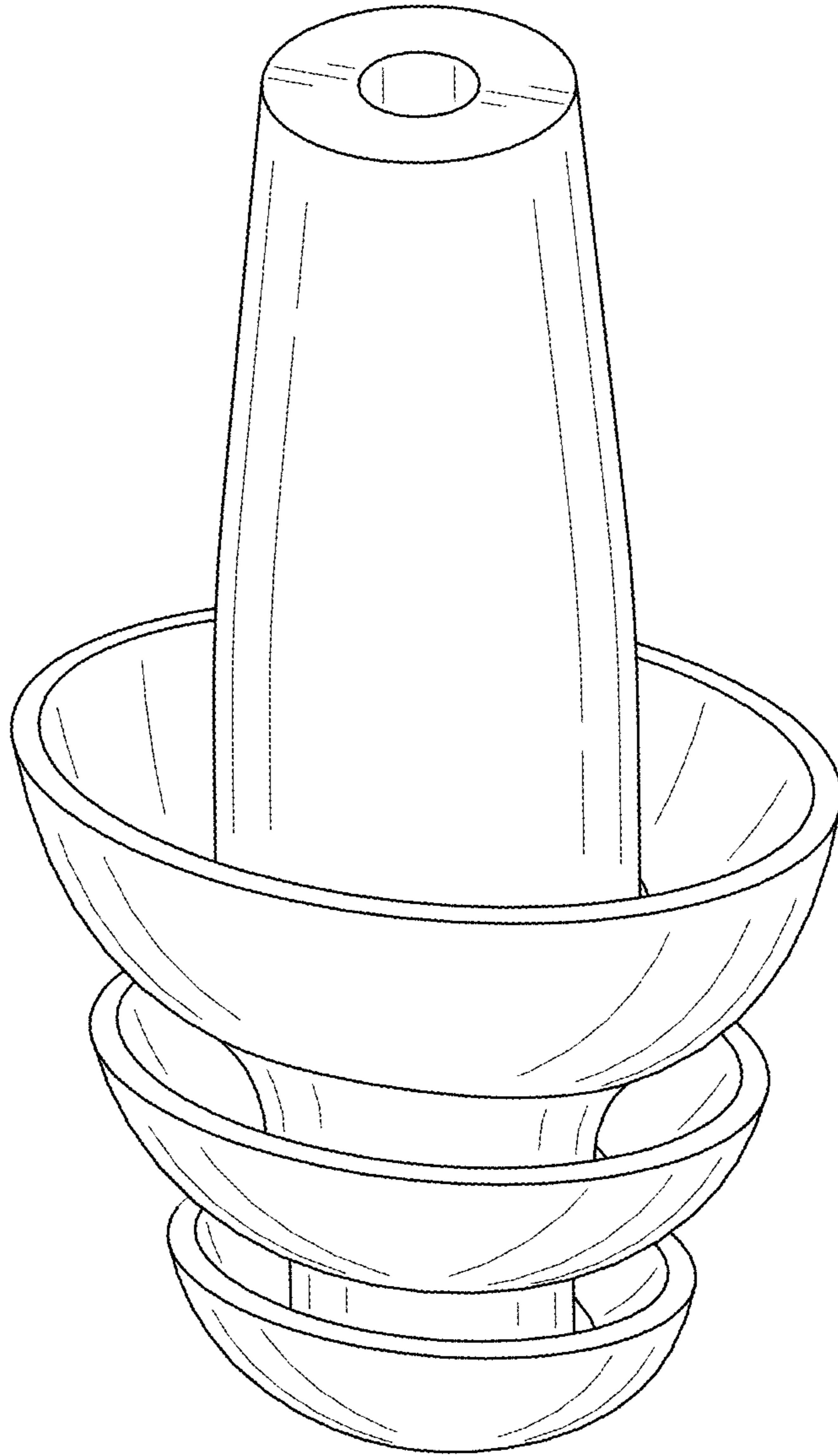


FIG.2

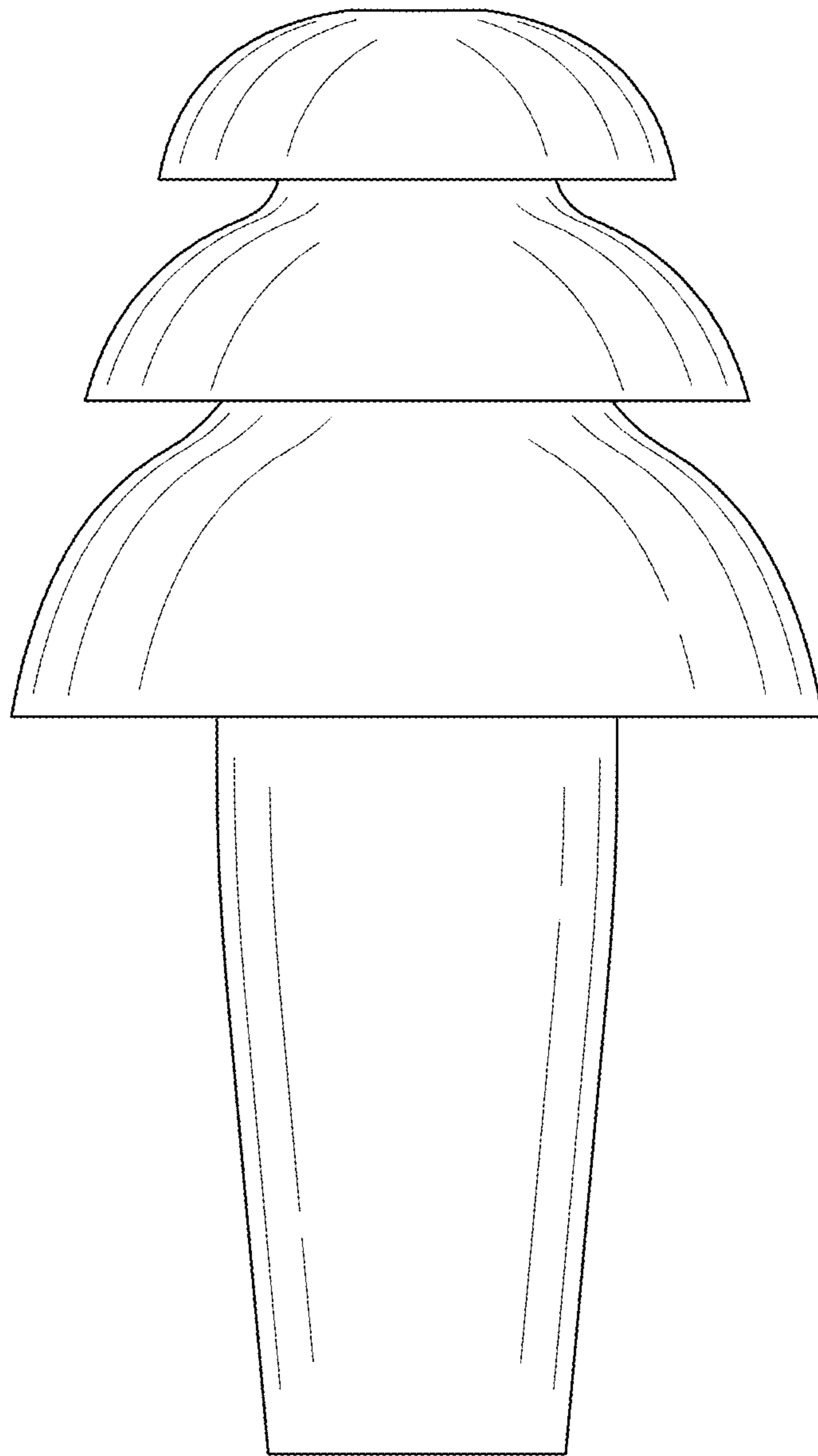


FIG.3

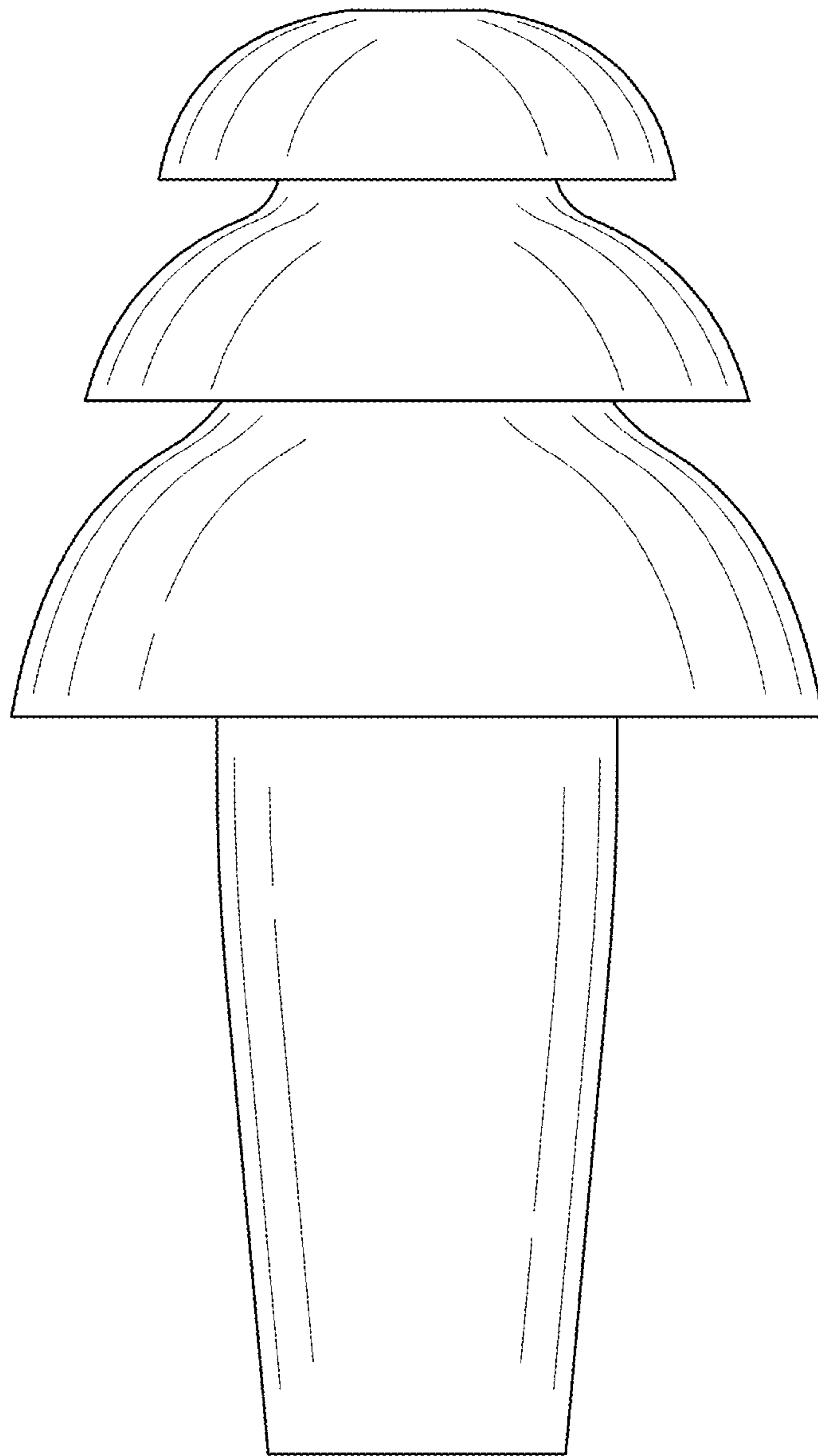


FIG.4

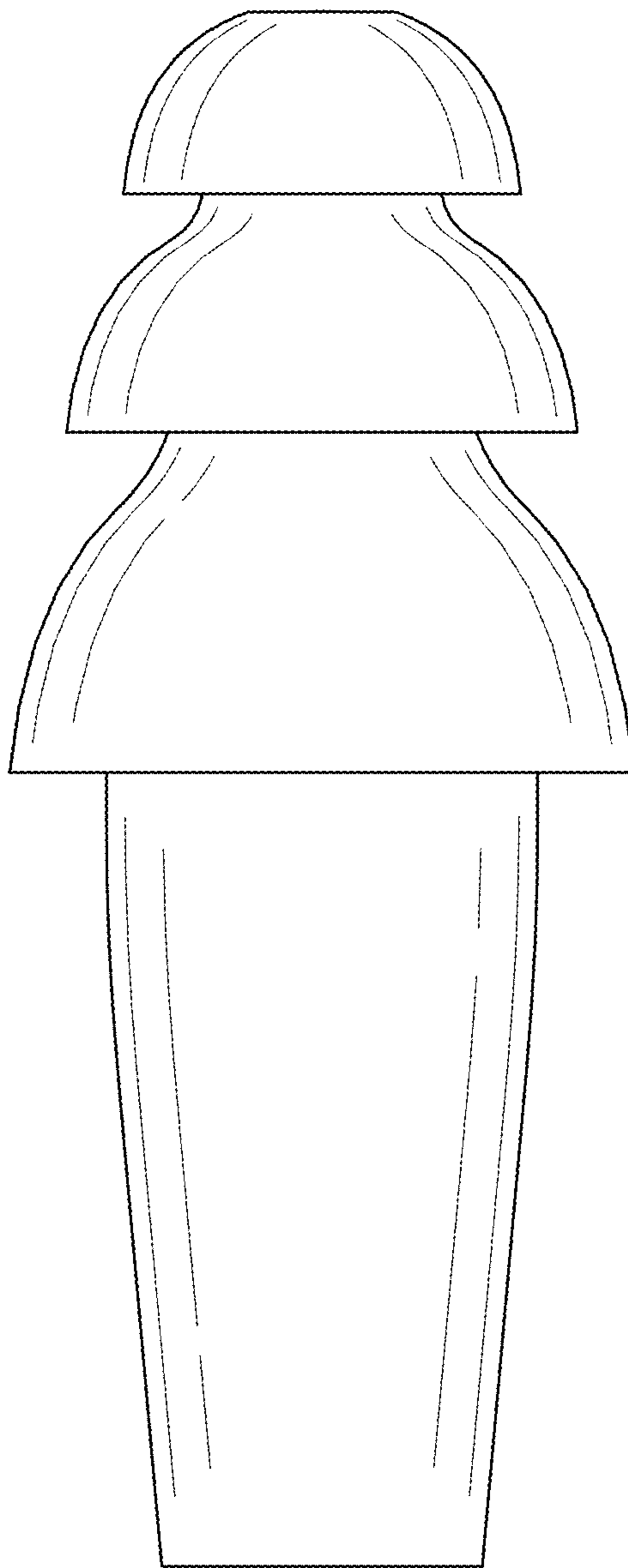


FIG.5

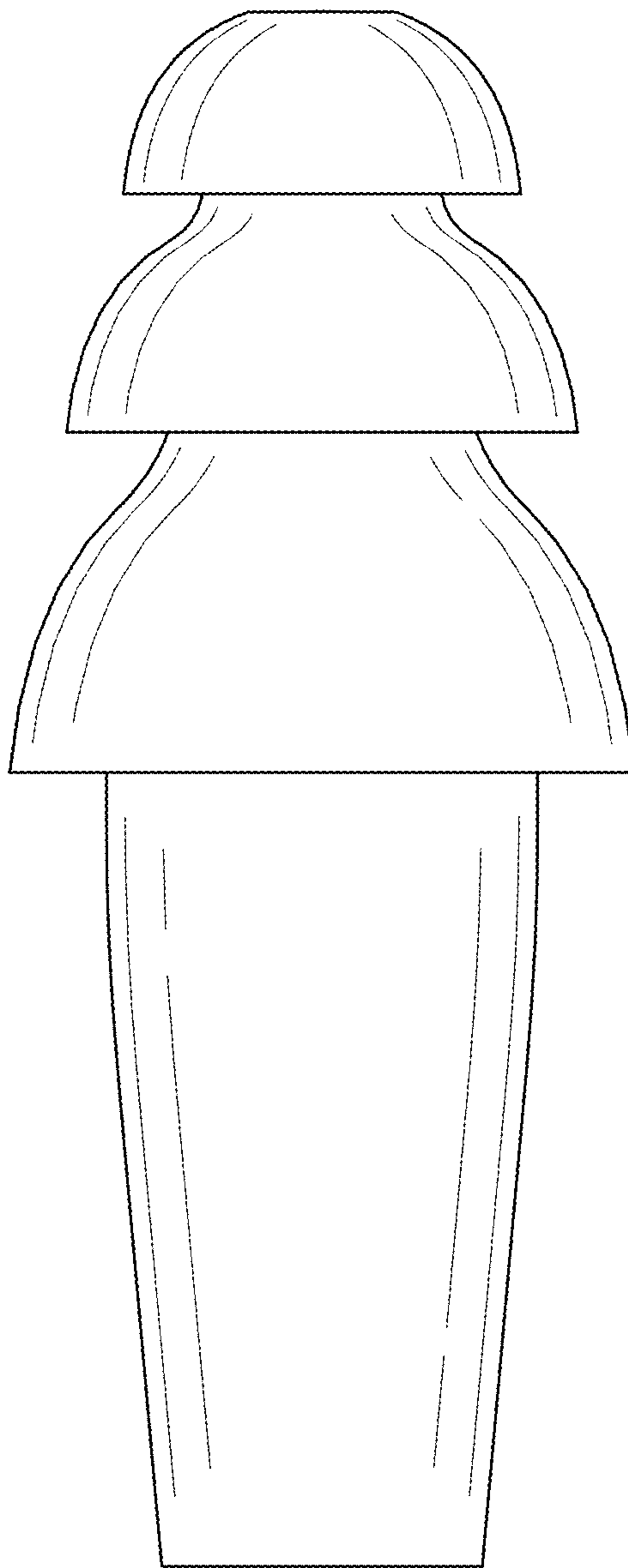


FIG.6

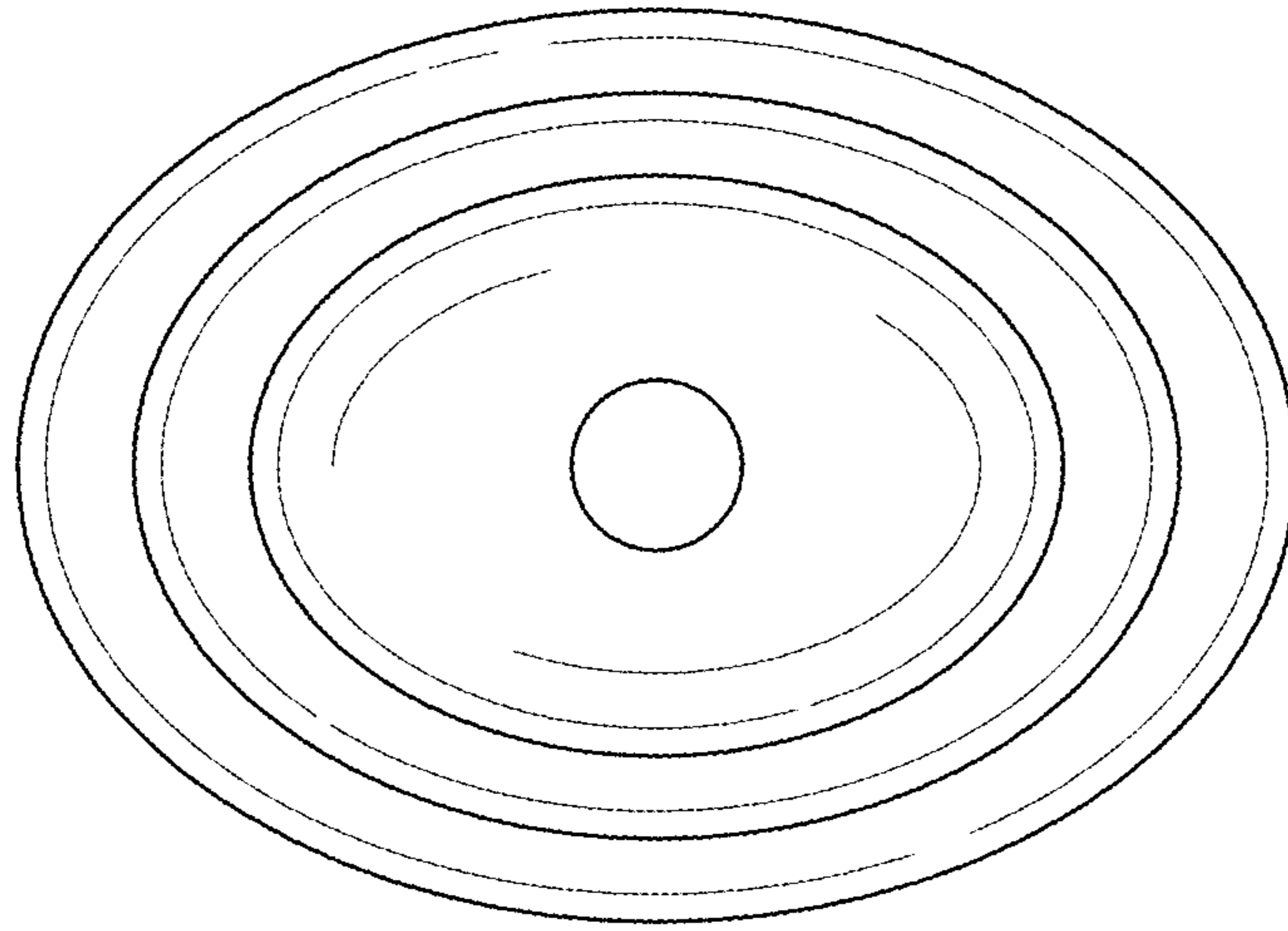


FIG.7

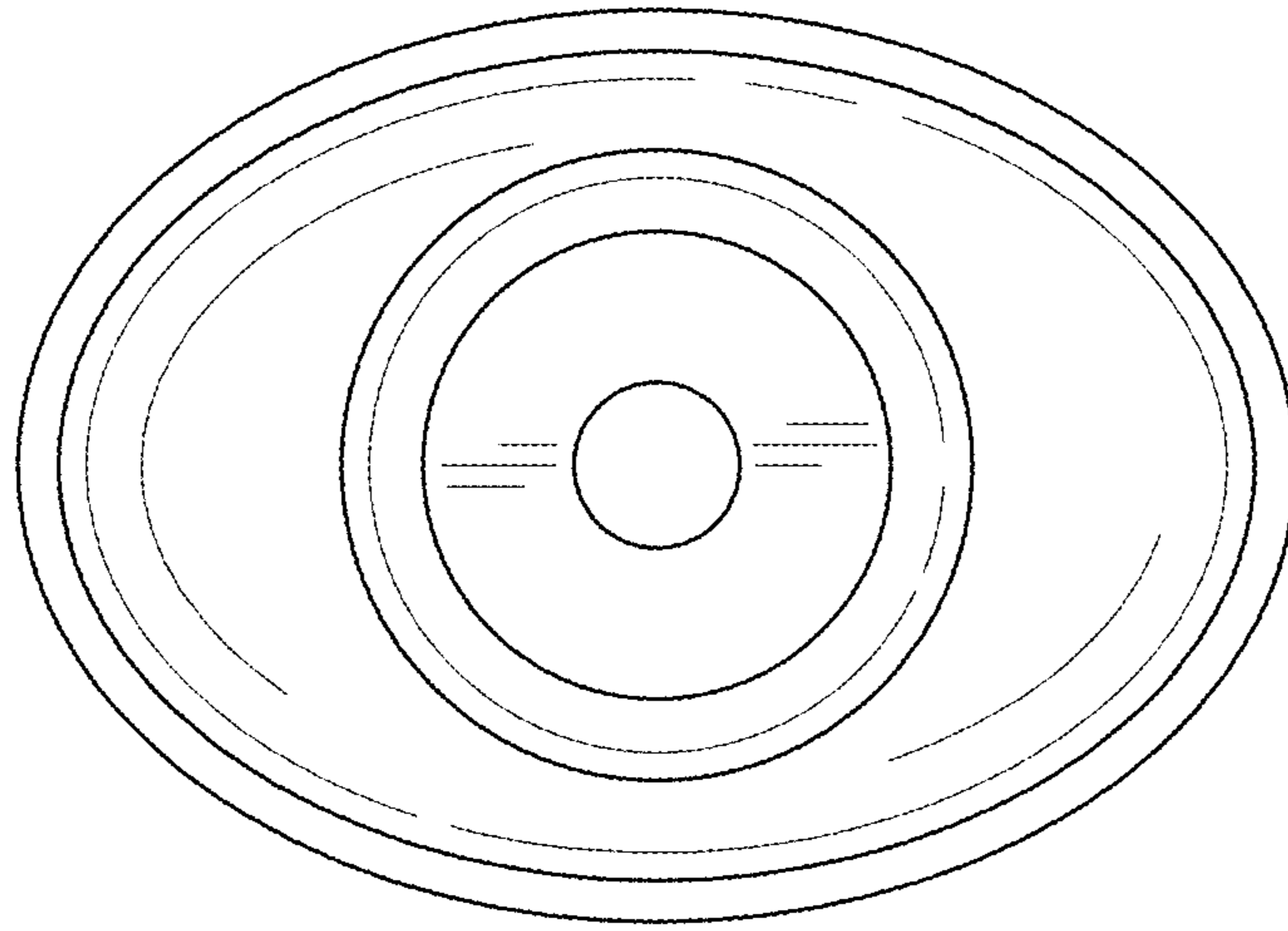


FIG.8