



US00D932001S

(12) **United States Design Patent**
Kattelus et al.

(10) **Patent No.:** **US D932,001 S**

(45) **Date of Patent:** **** Sep. 28, 2021**

- (54) **BURNER**
- (71) Applicant: **Oilon Technology Oy**, Lahti (FI)
- (72) Inventors: **Joonas Kattelus**, Lahti (FI); **Lassi Karvonen**, Vantaa (FI); **Michele Danelon**, Lahti (FI)
- (73) Assignee: **Oilon Technology Oy**
- (**) Term: **15 Years**
- (21) Appl. No.: **29/699,000**
- (22) Filed: **Jul. 22, 2019**
- (51) **LOC (13) Cl.** **23-03**
- (52) **U.S. Cl.**
USPC **D23/416**
- (58) **Field of Classification Search**
USPC D23/386, 415, 416, 417, 418
CPC F23D 2203/00; F23D 2204/00; F23D 2204/10; F23D 14/02; F23D 14/46
See application file for complete search history.

- 5,667,376 A * 9/1997 Robertson F23C 3/00
431/115
- 5,839,891 A * 11/1998 Cook F23D 14/36
431/7
- 6,238,206 B1 5/2001 Cummings, III et al.
- 6,508,645 B1 * 1/2003 George F23D 14/22
431/187

(Continued)

FOREIGN PATENT DOCUMENTS

- CN 106949471 A 7/2017
- DE 19521844 A1 1/1996

OTHER PUBLICATIONS

“Powerflame X4” 2001, Powerflame, site visited May 31, 2021:
<http://www.powerflame.com/images/support/supportdocs/catalog/pdf/type-x4/X4-Installation.pdf> (Year: 2001).*

(Continued)

Primary Examiner — Jack Reickel
Assistant Examiner — Bobby W Jones, II
(74) *Attorney, Agent, or Firm* — Banner & Witcoff, Ltd.

(56) **References Cited**

U.S. PATENT DOCUMENTS

- D94,317 S * 1/1935 Stark D23/416
- 2,215,272 A * 9/1940 O’Brien F23D 11/001
239/405
- 2,298,745 A * 10/1942 Klockau F23D 11/001
431/265
- 2,405,196 A * 8/1946 Elliot F23D 11/001
239/406
- 2,485,206 A * 10/1949 Logan F23D 11/26
431/62
- 4,140,476 A * 2/1979 Kaplan F23D 11/24
431/265
- 4,388,064 A * 6/1983 Kaplan F23D 11/001
431/265
- 5,154,598 A * 10/1992 Gooderham F23D 14/02
431/188
- 5,407,345 A * 4/1995 Robertson F23C 3/00
431/115

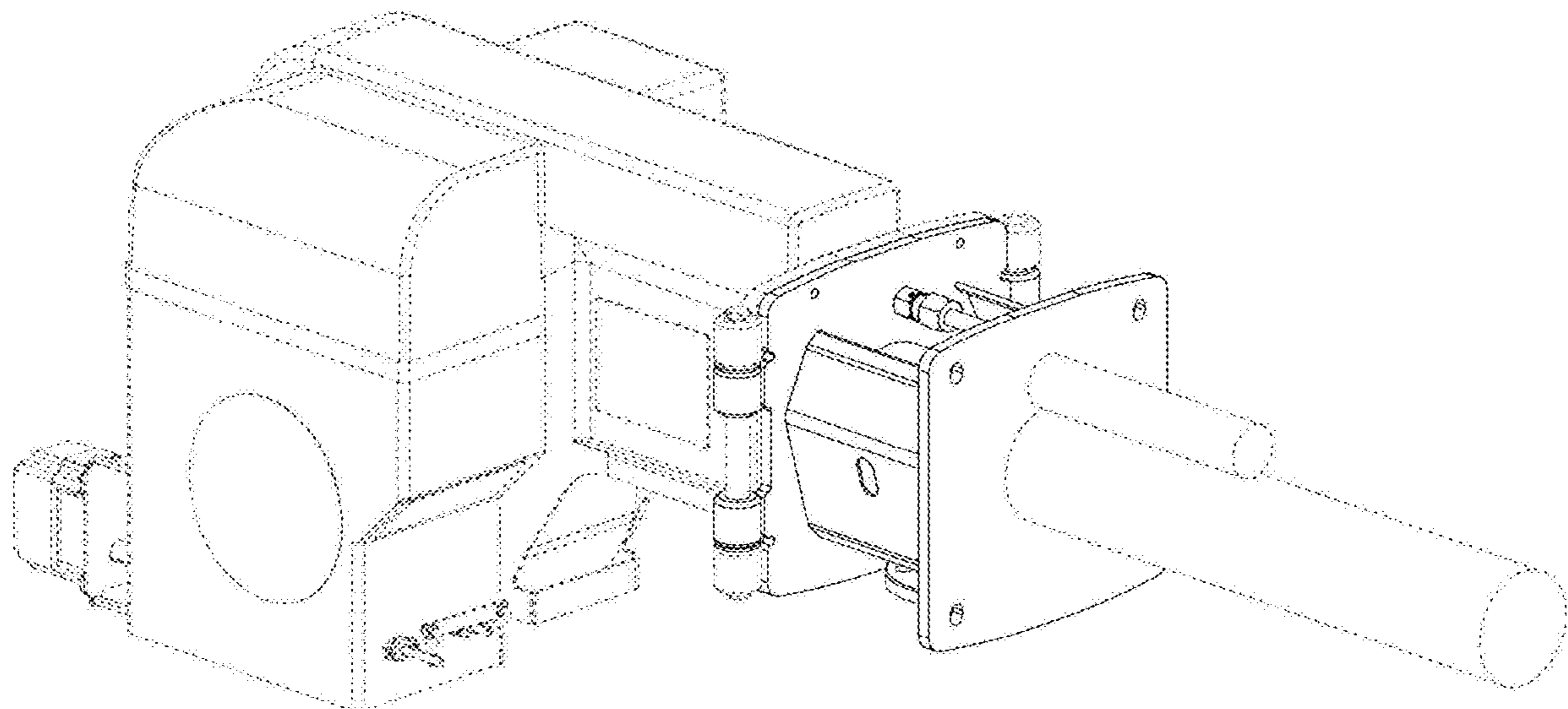
(57) **CLAIM**

The ornamental design for a burner, as shown and described.

DESCRIPTION

FIG. 1 is a front perspective view of a burner showing our new design;
FIG. 2 is a top perspective view thereof;
FIG. 3 is a front view thereof;
FIG. 4 is a left side view thereof;
FIG. 5 is a right side view thereof;
FIG. 6 is a top view thereof; and,
FIG. 7 is a bottom view thereof.
The broken lines depicting the remainder of the burner show features that form no part of the claimed design.

1 Claim, 7 Drawing Sheets



(56)

References Cited

U.S. PATENT DOCUMENTS

6,888,390	B2 *	5/2005	Graham	F23N 5/20 327/262
7,785,100	B1 *	8/2010	Swanson	F23D 17/002 431/181
7,878,797	B1 *	2/2011	Swanson	F23D 14/36 431/181
D665,901	S *	8/2012	Linton	D23/416
8,470,290	B1 *	6/2013	Miller	C01B 13/18 423/636
8,480,394	B2 *	7/2013	Daneri	F23D 14/24 431/284
10,281,146	B1 *	5/2019	Swanson	F23D 14/36
2008/0280243	A1 *	11/2008	Swanson	F23D 14/36 431/254
2009/0211257	A1 *	8/2009	Cankovic	F23R 3/36 60/740
2012/0003595	A1	1/2012	Goh et al.		
2014/0308619	A1 *	10/2014	Wartluft	F23C 7/004 431/9
2015/0153066	A1 *	6/2015	Brais	F23M 7/00 122/18.4
2017/0198902	A1 *	7/2017	Zink	F23D 14/36
2020/0300461	A1 *	9/2020	Kattelus	F23D 14/62

OTHER PUBLICATIONS

“CG4 Gas Conversion Burner Installation”, Nov. 4, 2015, YouTube, site visited May 31, 2021: <https://www.youtube.com/watch?v=UrJnjePOR9Y> (Year: 2015).*

“Oil furnace troubleshoot part 2 No flame”, Nov. 24, 2013, YouTube, site visited May 31, 2021: <https://www.youtube.com/watch?v=TfPnLUz1Vh4> (Year: 2013).*

* cited by examiner

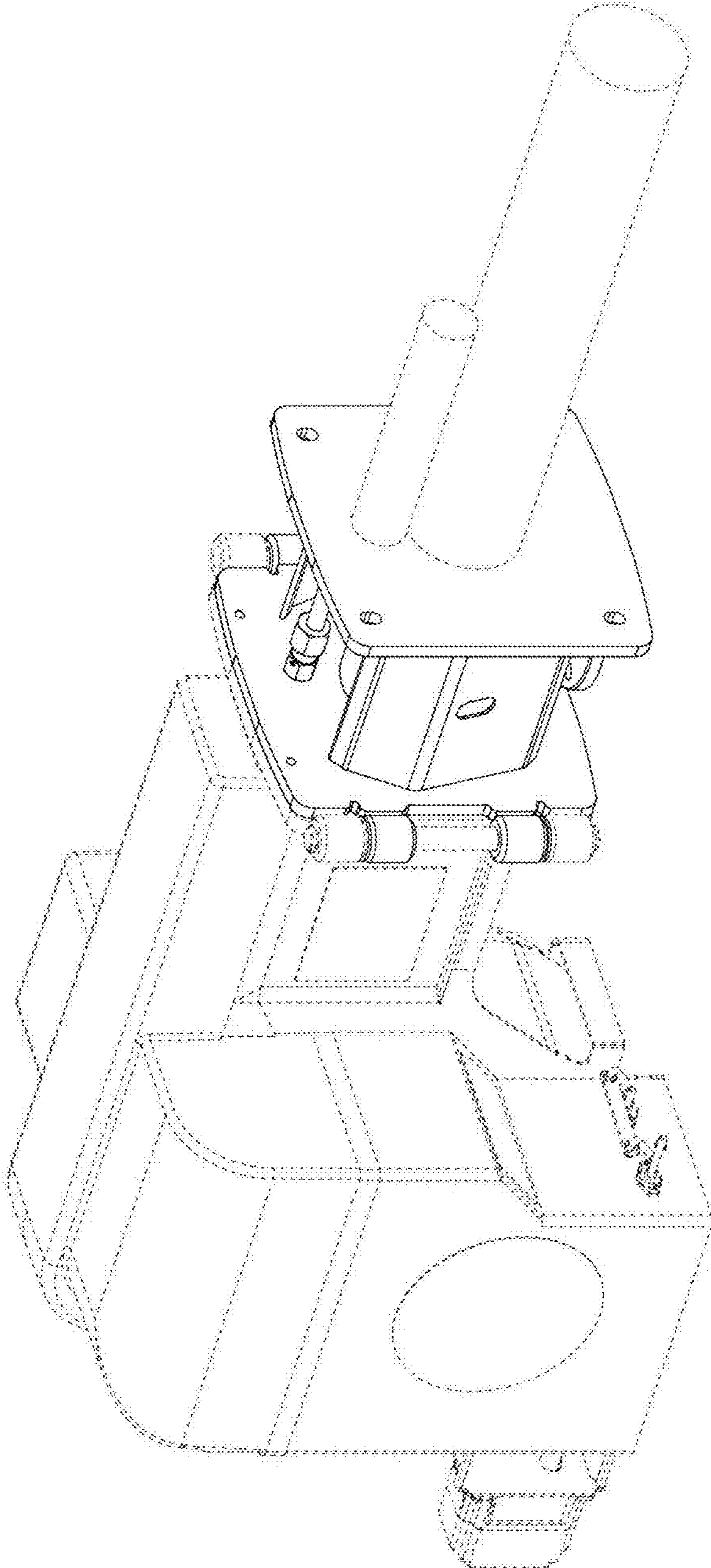


FIG. 1

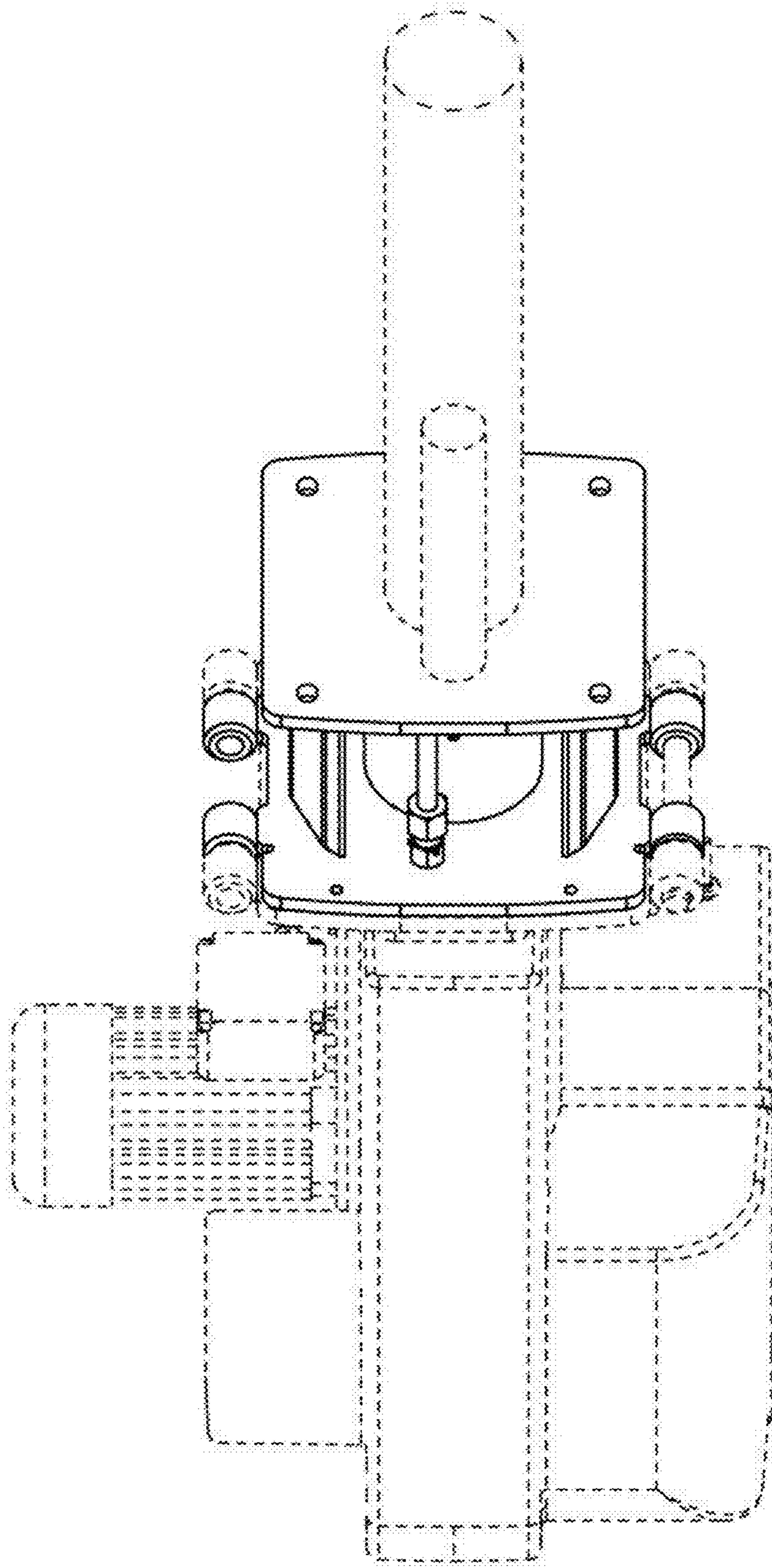


FIG. 2

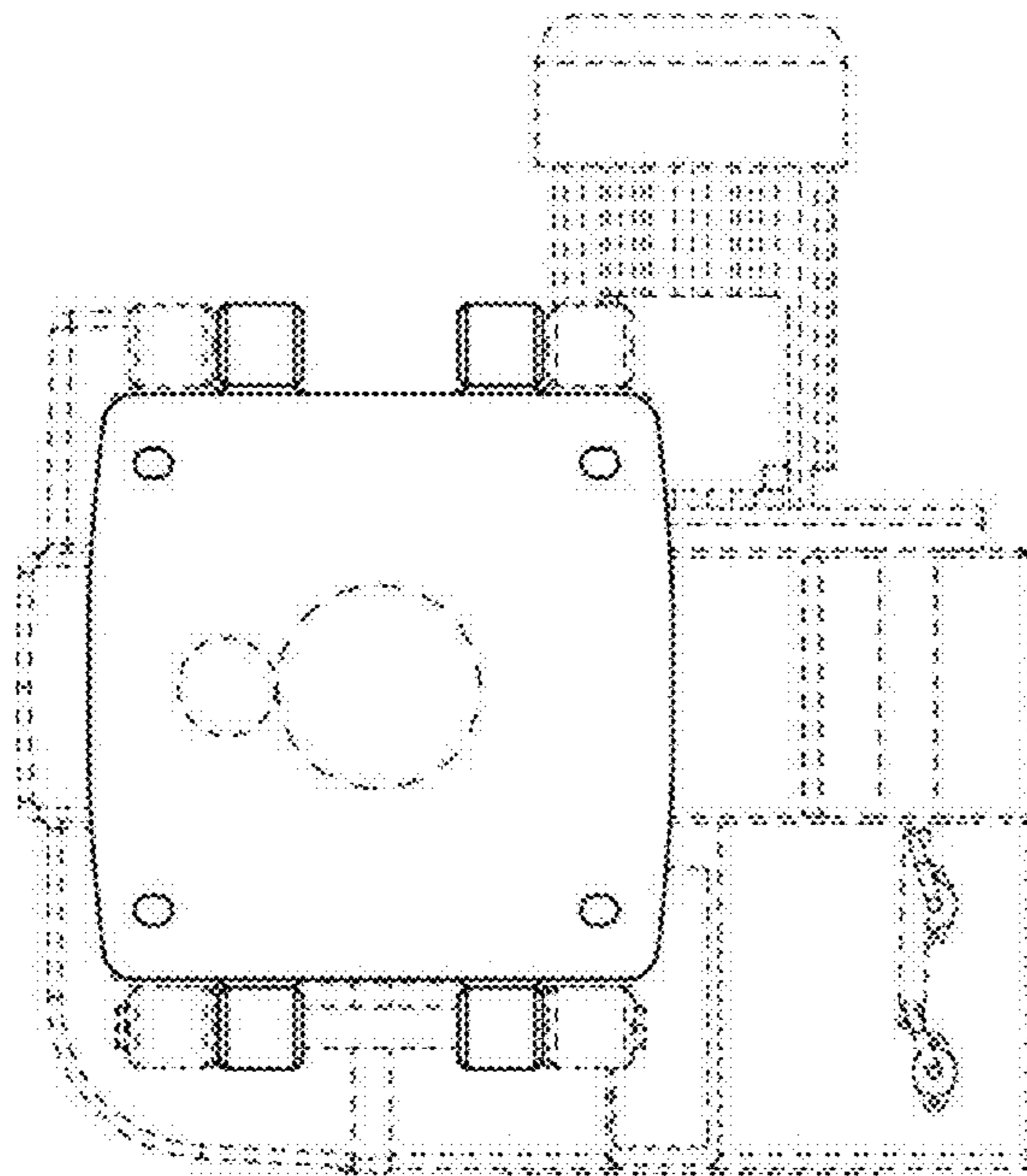


FIG. 3

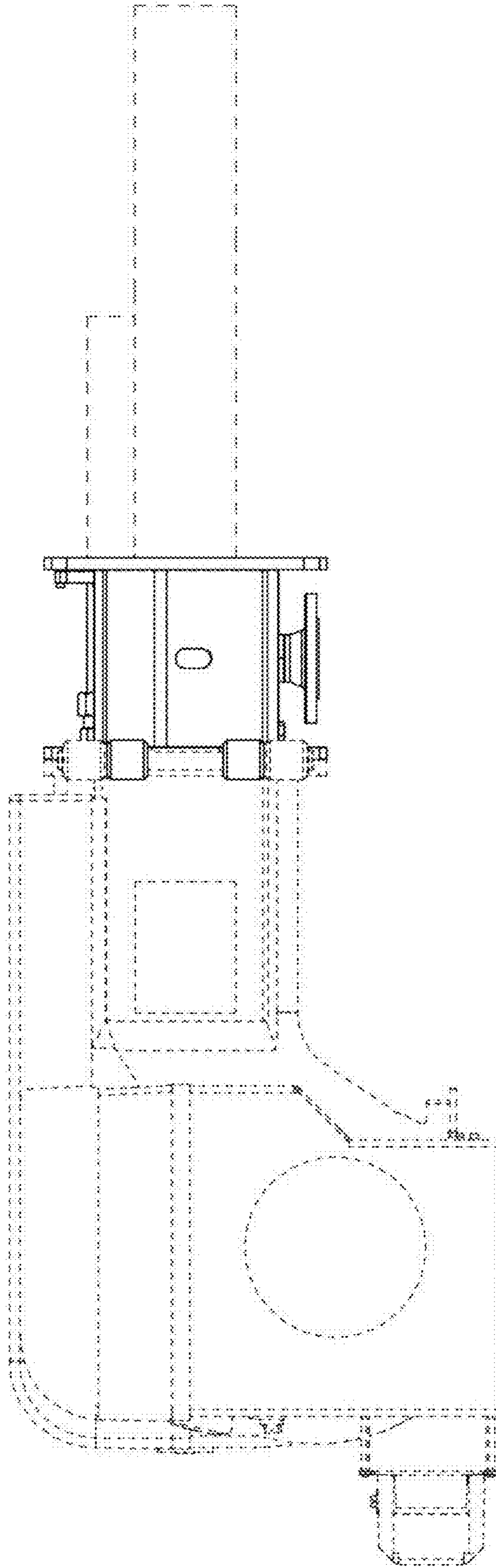


FIG. 4

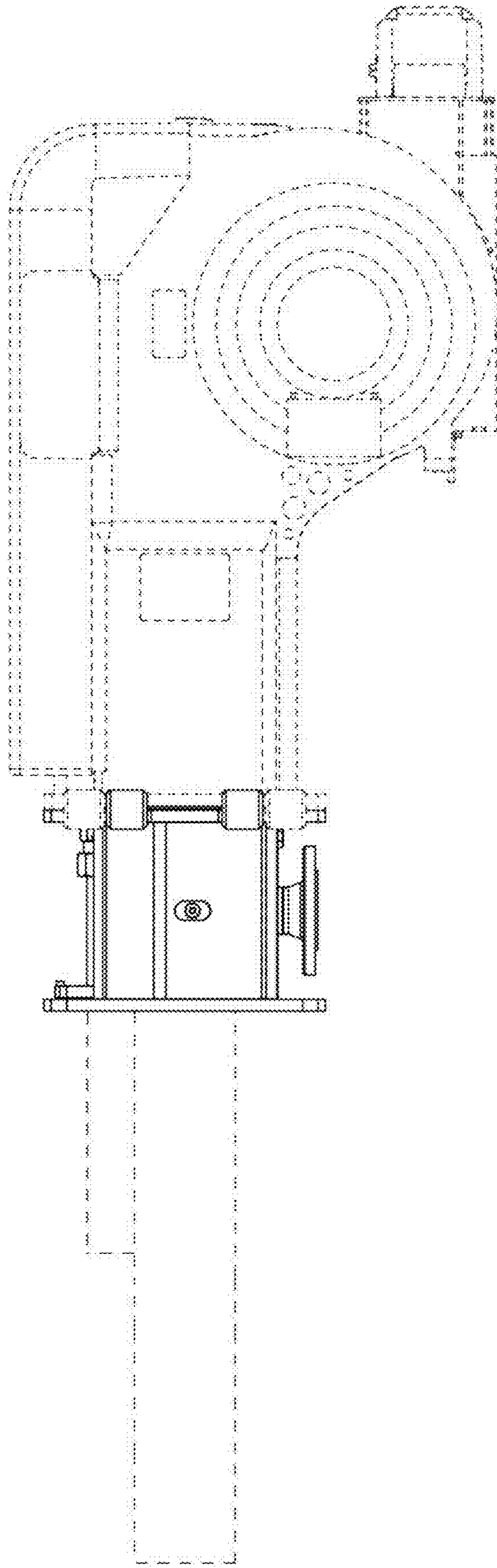


FIG. 5

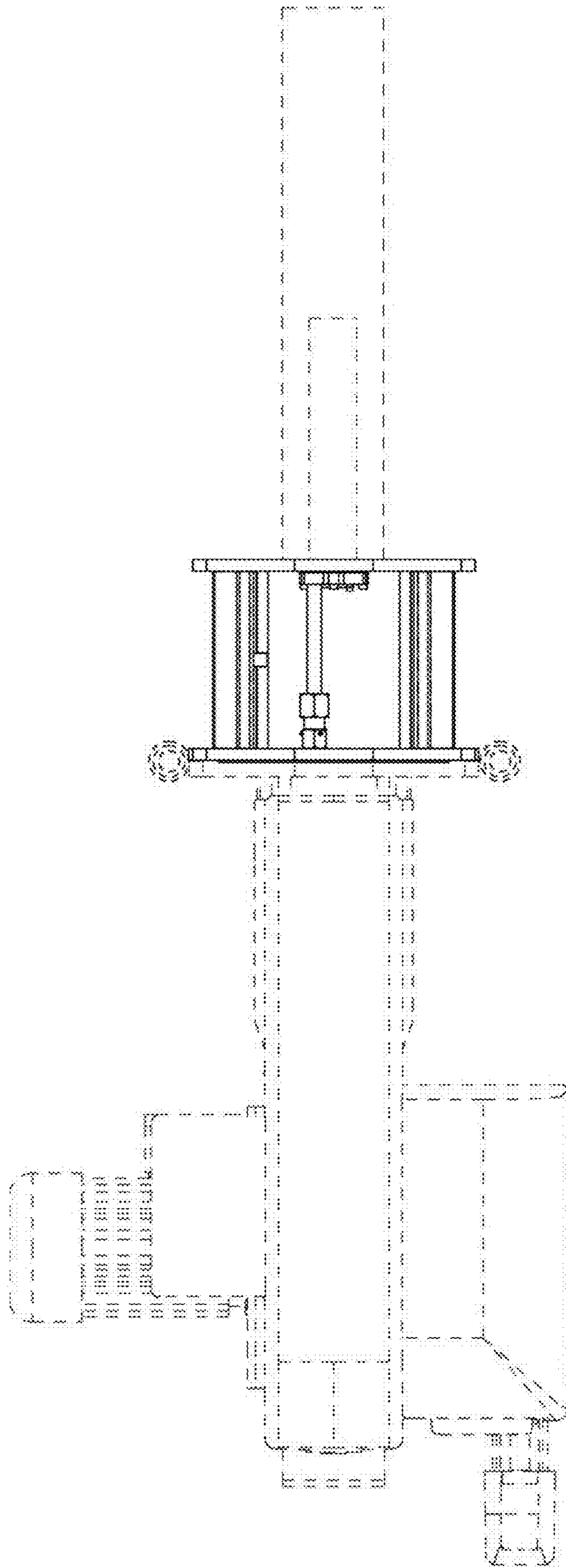


FIG. 6

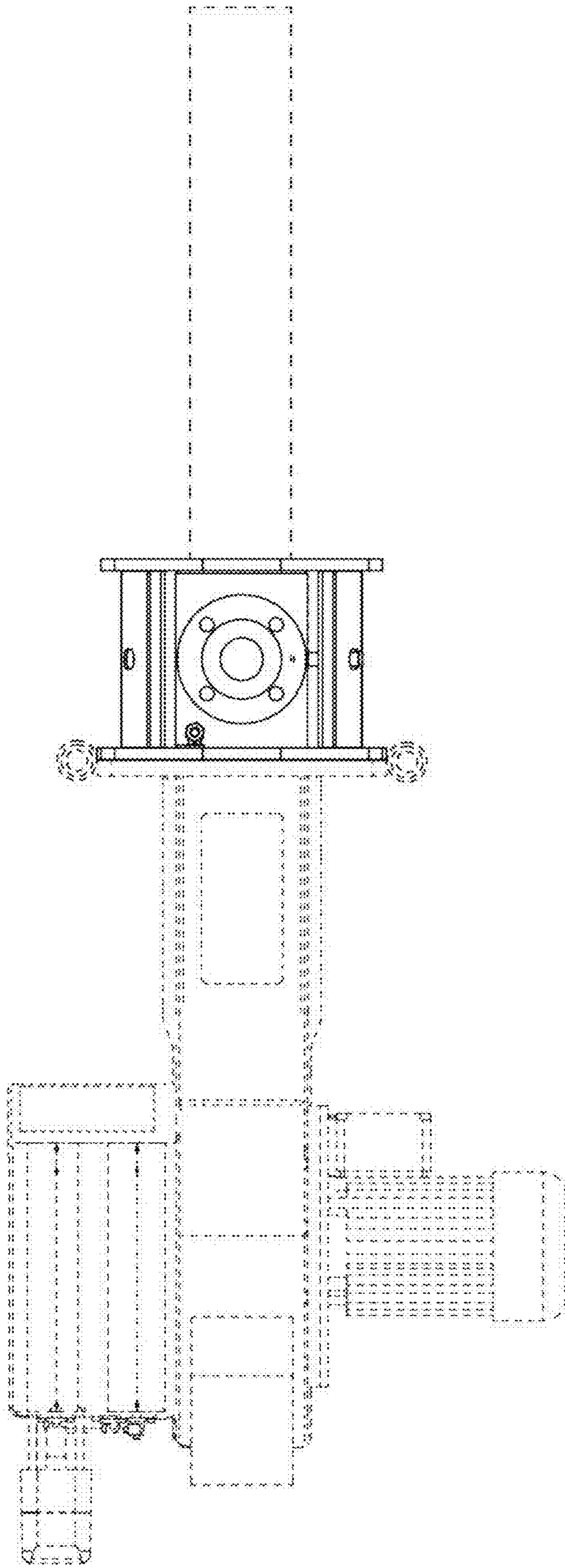


FIG. 7

UNITED STATES PATENT AND TRADEMARK OFFICE
CERTIFICATE OF CORRECTION

PATENT NO. : D932,001 S
APPLICATION NO. : 29/699000
DATED : September 28, 2021
INVENTOR(S) : Joonas Kattelus et al.

Page 1 of 1

It is certified that error appears in the above-identified patent and that said Letters Patent is hereby corrected as shown below:

On the Title Page

Item (30) "Foreign Application Priority Data" should read:

-- Jan. 23, 2019 (EM)00006081493 --

Signed and Sealed this
Twenty-fourth Day of May, 2022



Katherine Kelly Vidal
Director of the United States Patent and Trademark Office