



US00D932000S

(12) **United States Design Patent** (10) **Patent No.:** **US D932,000 S**
Wang (45) **Date of Patent:** **** Sep. 28, 2021**

- (54) **CEILING FAN**
- (71) Applicant: **YOUNGO LIMITED**, Hong Kong (CN)
- (72) Inventor: **Cliff Wang**, Taichung (TW)
- (73) Assignee: **YOUNGO LIMITED**, Hong Kong (CN)
- (**) Term: **15 Years**
- (21) Appl. No.: **29/718,552**
- (22) Filed: **Dec. 26, 2019**
- (51) **LOC (13) Cl.** **23-03**
- (52) **U.S. Cl.**
USPC **D23/411; D23/377**
- (58) **Field of Classification Search**
USPC D23/370, 377, 379, 385, 411, 413;
D26/59
CPC F04D 25/088; F04D 29/38; F04D 29/384;
F04D 29/386; F21V 33/0096
See application file for complete search history.

(56) **References Cited**

U.S. PATENT DOCUMENTS

D270,942 S	*	10/1983	McCain	416/5
D396,531 S	*	7/1998	Lieu	D23/377
D512,498 S	*	12/2005	Hidalgo	D23/377
D525,698 S	*	7/2006	Wang	D23/377
D573,243 S	*	7/2008	Pan	D23/377
D593,194 S	*	5/2009	Pan	D23/377
D594,543 S	*	6/2009	Pan	D23/377
D620,581 S	*	7/2010	Chen	D23/377
D628,286 S	*	11/2010	Yang	D23/411
D648,843 S	*	11/2011	Chen	D23/411
D671,202 S	*	11/2012	Searle	D23/377

D707,340 S	*	6/2014	Pan	D23/377
D715,919 S	*	10/2014	Pan	D23/411
D745,957 S	*	12/2015	Pan	D23/411
D806,852 S	*	1/2018	Holmes	D23/377
D827,805 S	*	9/2018	Biancuzzo	D23/377
D851,234 S	*	6/2019	Hidalgo	D23/377
D872,849 S	*	1/2020	Holmes	D23/377
D877,312 S	*	3/2020	Wang	D23/377
D877,317 S	*	3/2020	Wang	D23/411
D893,012 S	*	8/2020	Holmes Bradley	D23/377
D894,365 S	*	8/2020	Passauer, III	D23/377
2006/0274538 A1	*	12/2006	Bacon	F21V 17/12 362/433
2017/0045197 A1	*	2/2017	Rossi	F21V 17/002

* cited by examiner

Primary Examiner — Sharon S Oum

(74) *Attorney, Agent, or Firm* — Pai Patent & Trademark Law Firm; Chao-Chang David Pai

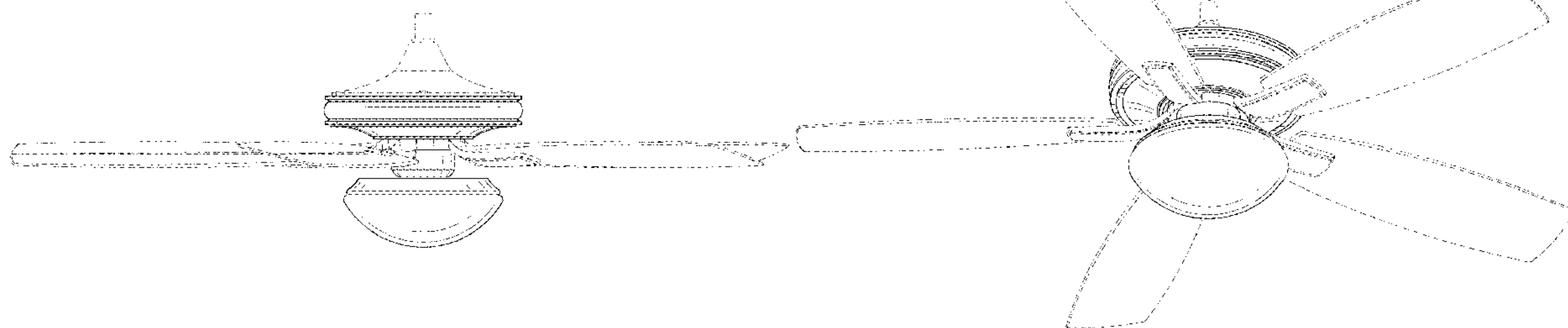
(57) **CLAIM**

The ornamental design for a ceiling fan, as shown and described.

DESCRIPTION

FIG. 1 is a front top perspective view of a ceiling fan showing my new design;
 FIG. 2 is a front elevational view thereof;
 FIG. 3 is a rear elevational view thereof;
 FIG. 4 is a left side elevational view thereof;
 FIG. 5 is a right side elevational view thereof;
 FIG. 6 is a top plan view thereof;
 FIG. 7 is a bottom plan view thereof; and,
 FIG. 8 is a front bottom perspective view thereof.
 The broken lines illustrate portions of the ceiling fan and form no part of the claimed design.

1 Claim, 6 Drawing Sheets



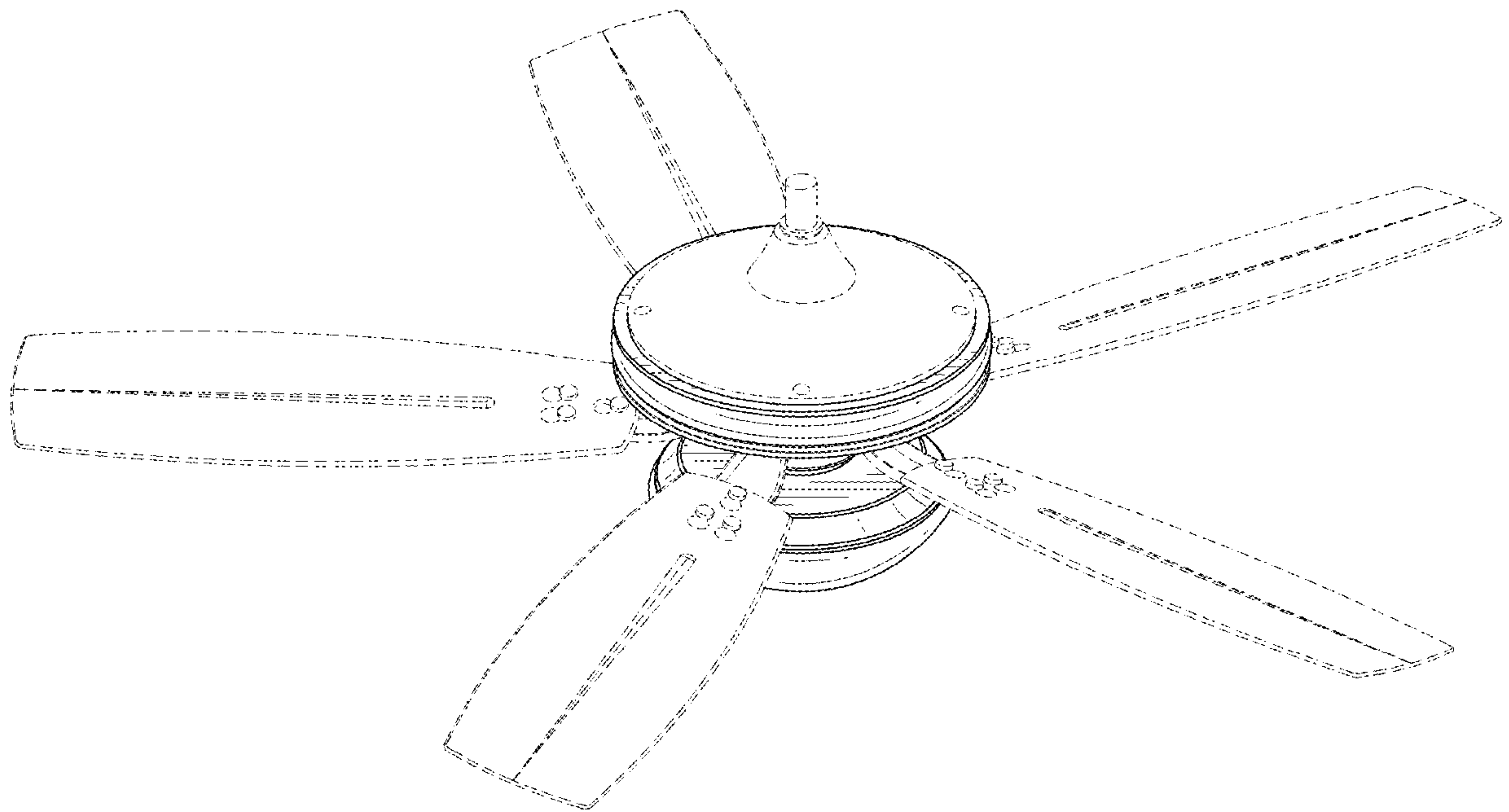


FIG. 1

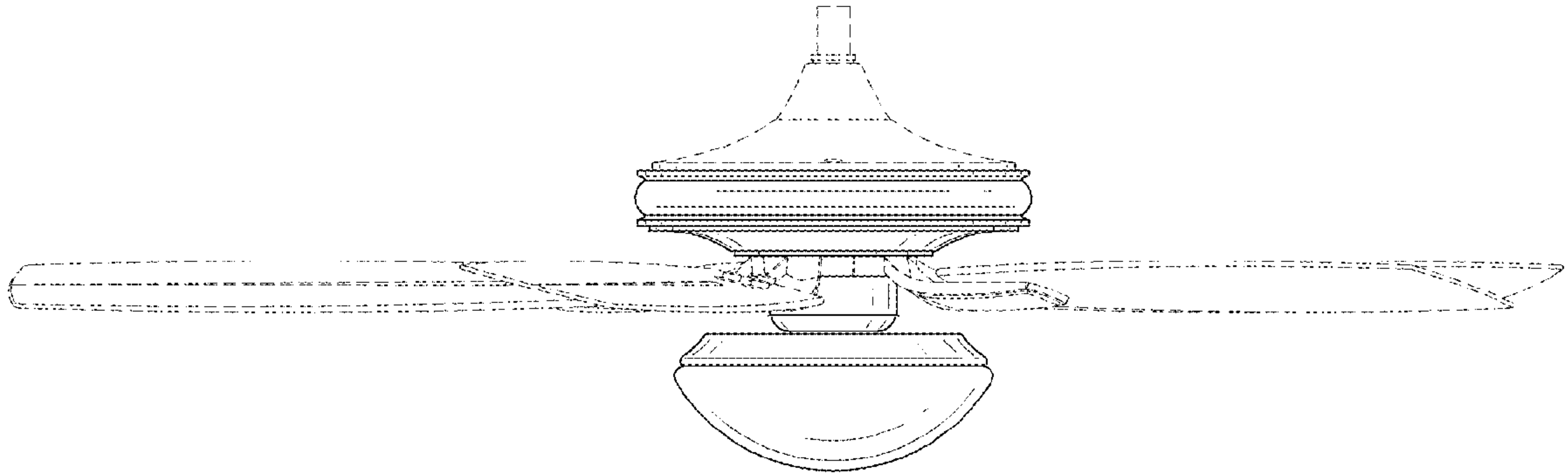


FIG. 2

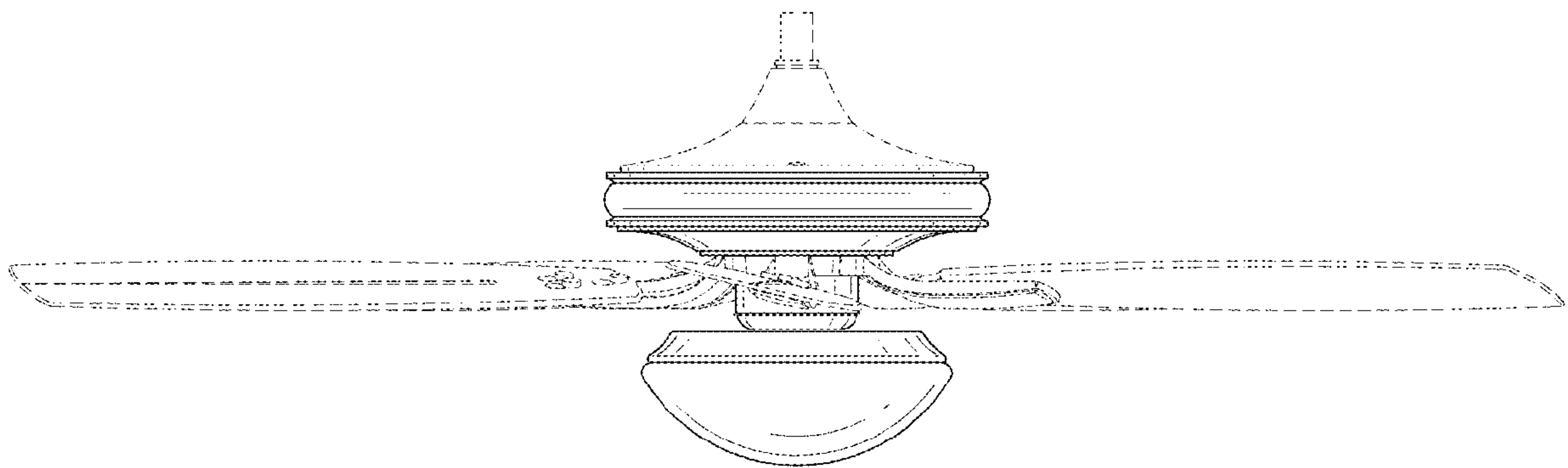


FIG. 3

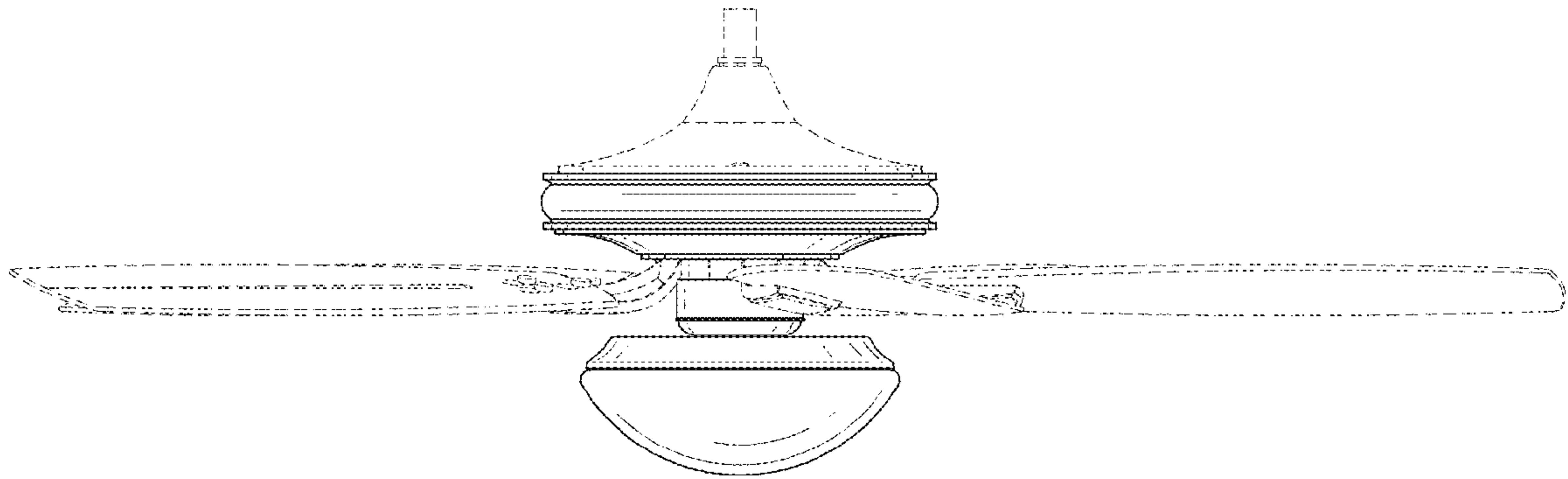


FIG. 4

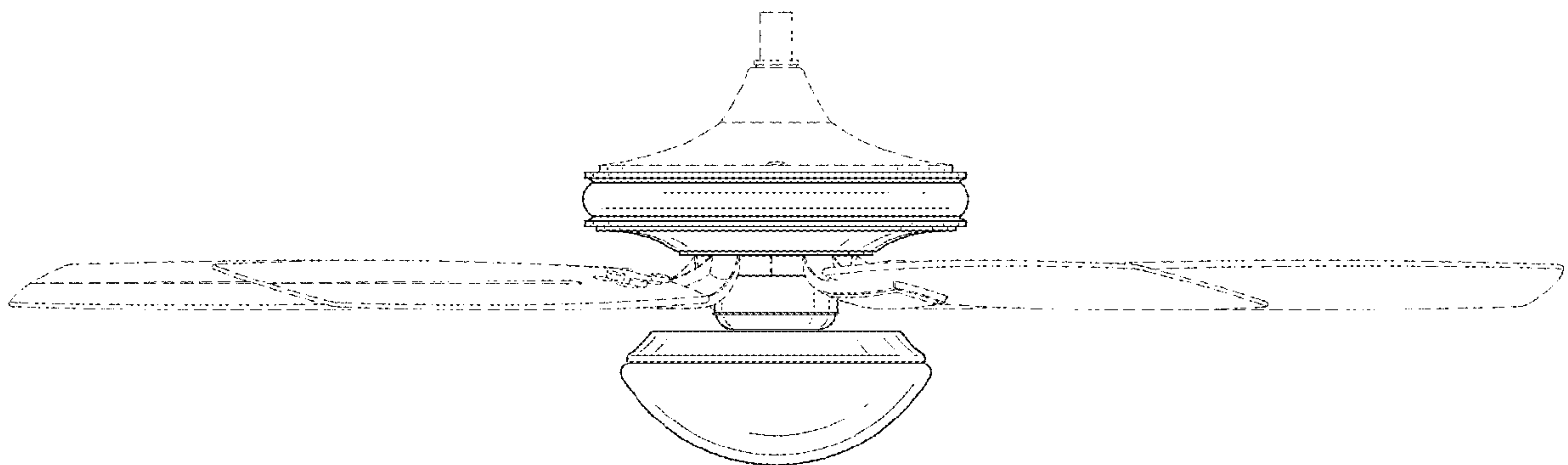


FIG. 5

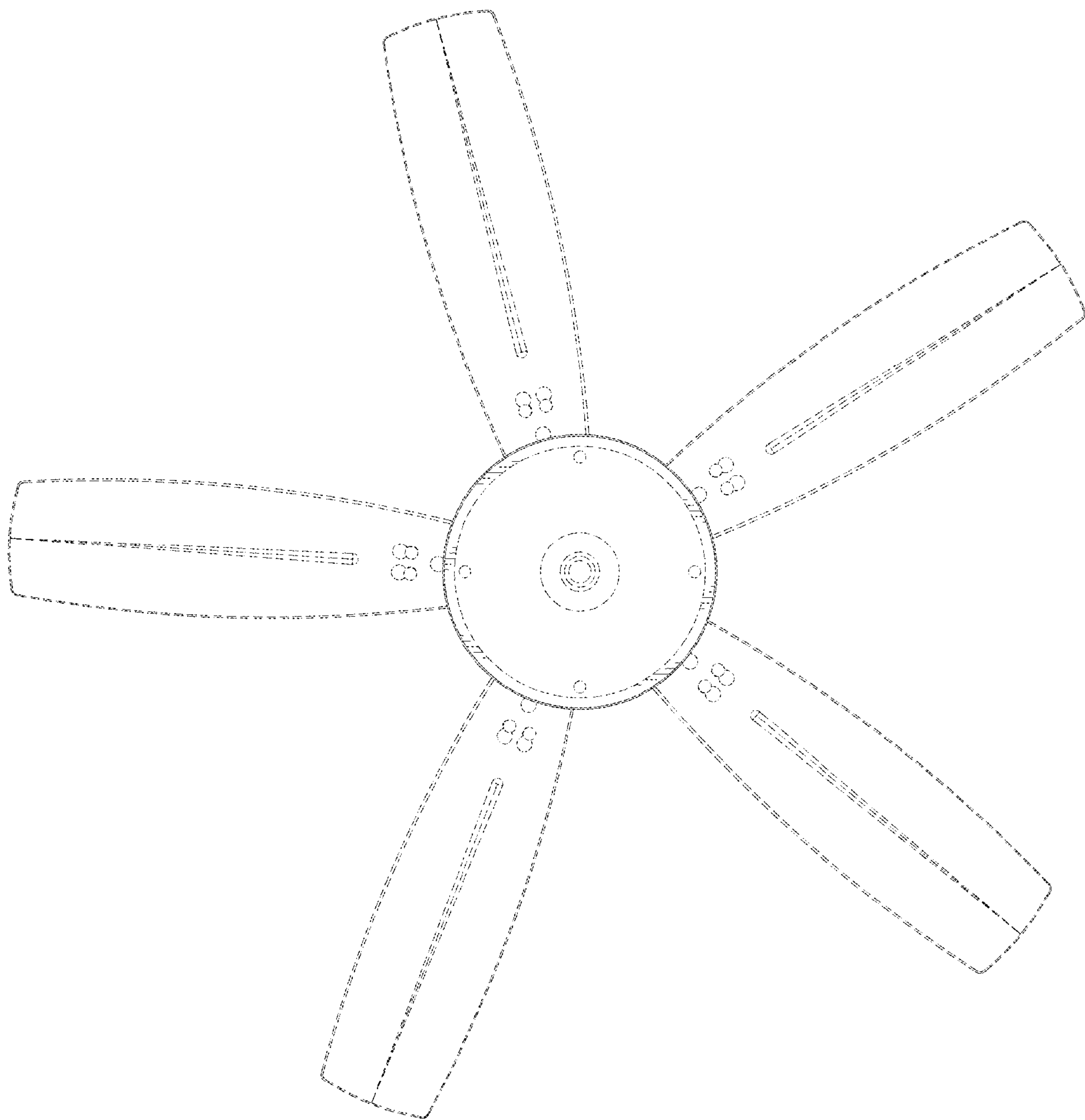


FIG. 6

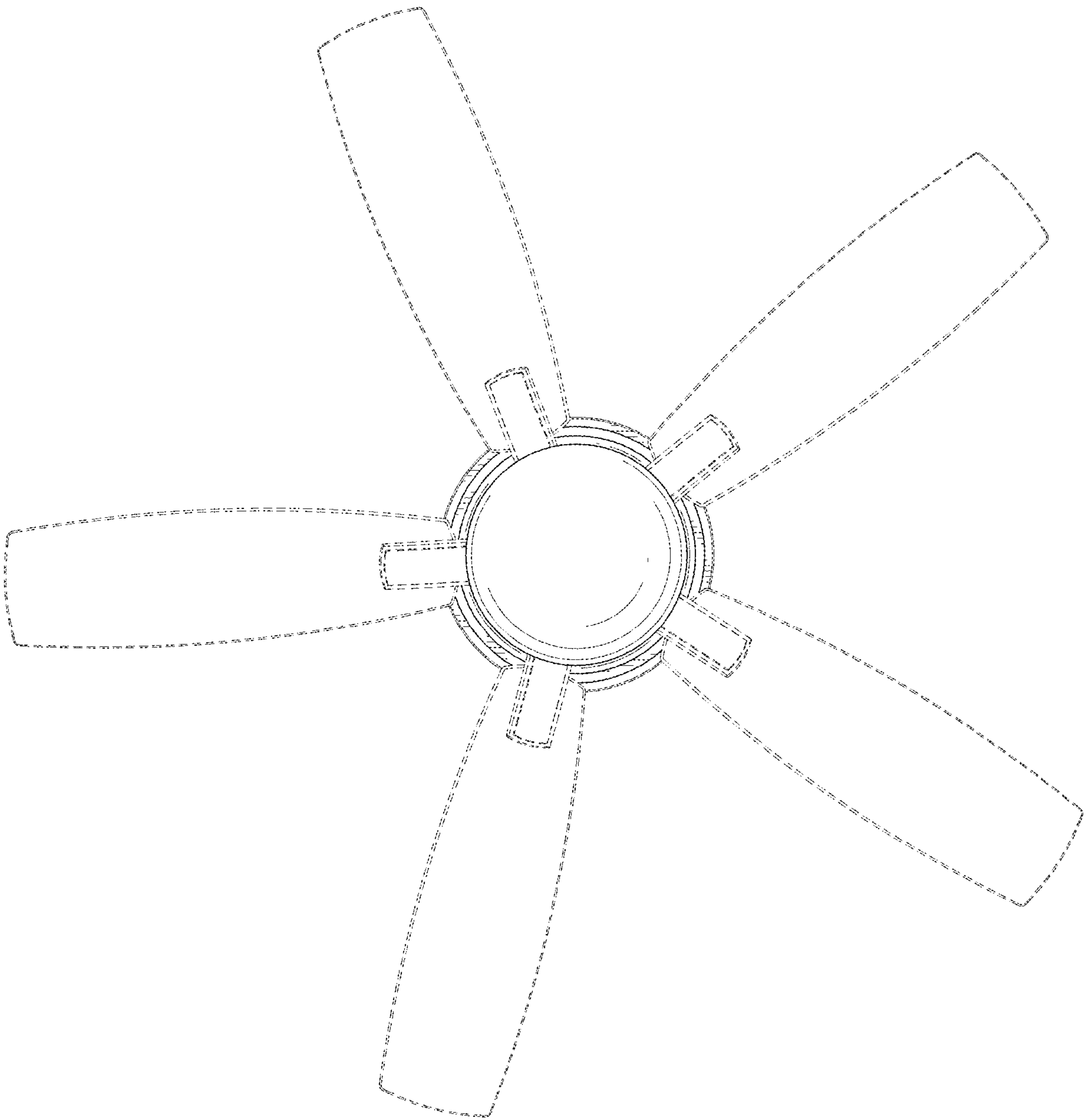


FIG. 7

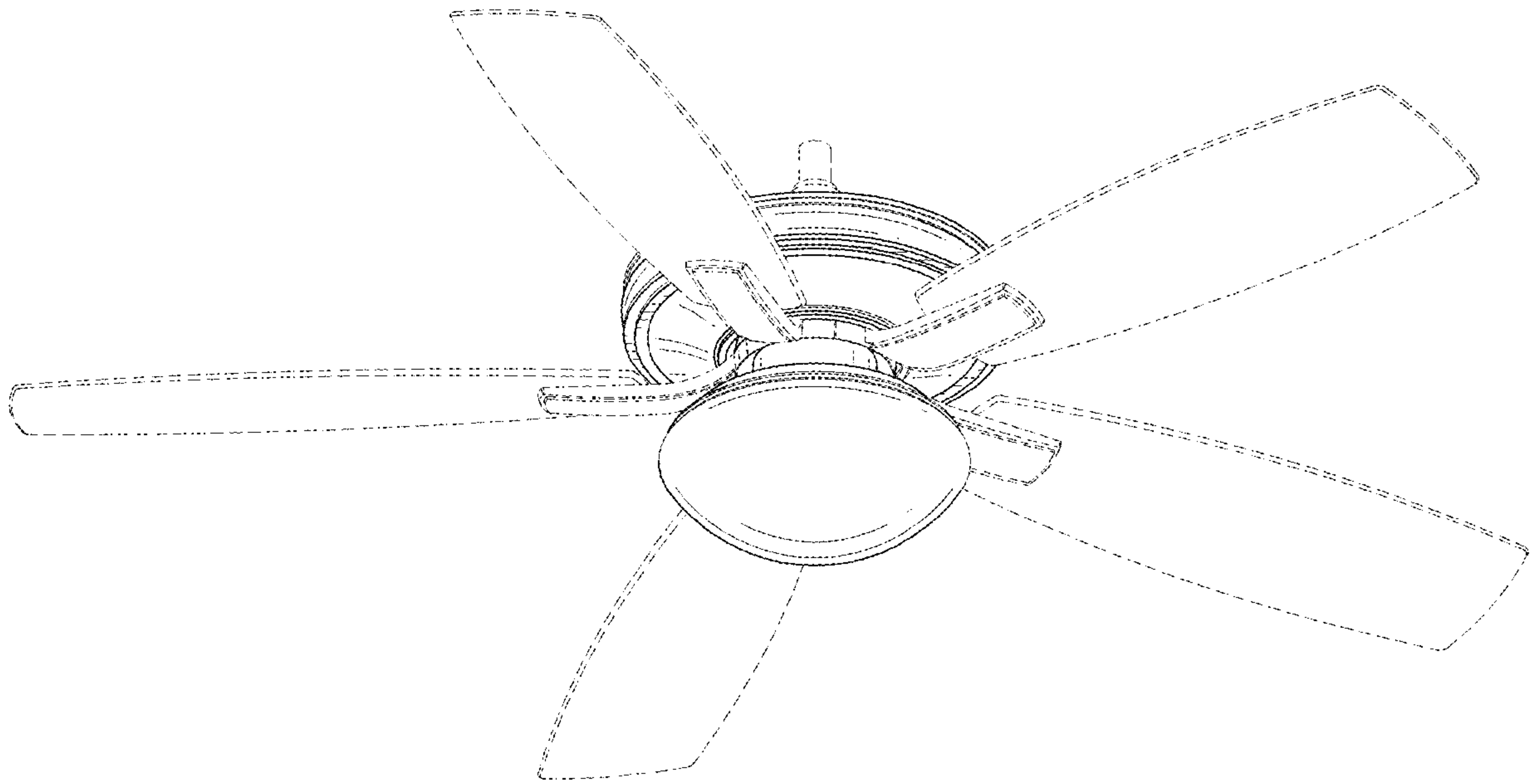


FIG. 8