



US00D931999S

(12) **United States Design Patent**
Chu

(10) **Patent No.:** **US D931,999 S**

(45) **Date of Patent:** **** Sep. 28, 2021**

(54) **HEATING TOWER FAN**

(71) Applicant: **Guangdong Lesheng Intelligent Technology Co., Ltd., Dongguan (CN)**

(72) Inventor: **Yunjiang Chu, Hunan (CN)**

(**) Term: **15 Years**

(21) Appl. No.: **29/717,324**

(22) Filed: **Dec. 17, 2019**

(51) **LOC (13) Cl.** **23-04**

(52) **U.S. Cl.**
USPC **D23/378; D23/335**

(58) **Field of Classification Search**
USPC D23/314, 351, 353, 354, 364, 366,
D23/370–376, 378, 381, 383, 385, 388,
D23/393, 395, 411, 412, 332, 333, 335,
D23/337
CPC F04D 25/088; F04D 29/388; F04D 29/34;
F04D 25/08; F21V 33/0096
See application file for complete search history.

(56) **References Cited**

U.S. PATENT DOCUMENTS

D290,997 S	*	7/1987	Utsuki	D23/342
D423,093 S	*	4/2000	Fok	D23/370
D515,193 S	*	2/2006	Chen	D23/366
D565,161 S	*	3/2008	Harris, Jr.	D23/364
D892,294 S	*	8/2020	Cartwright	D23/370

* cited by examiner

Primary Examiner — Sharon S Oum

(74) *Attorney, Agent, or Firm* — Prakash Nama; Global IP Services, PLLC

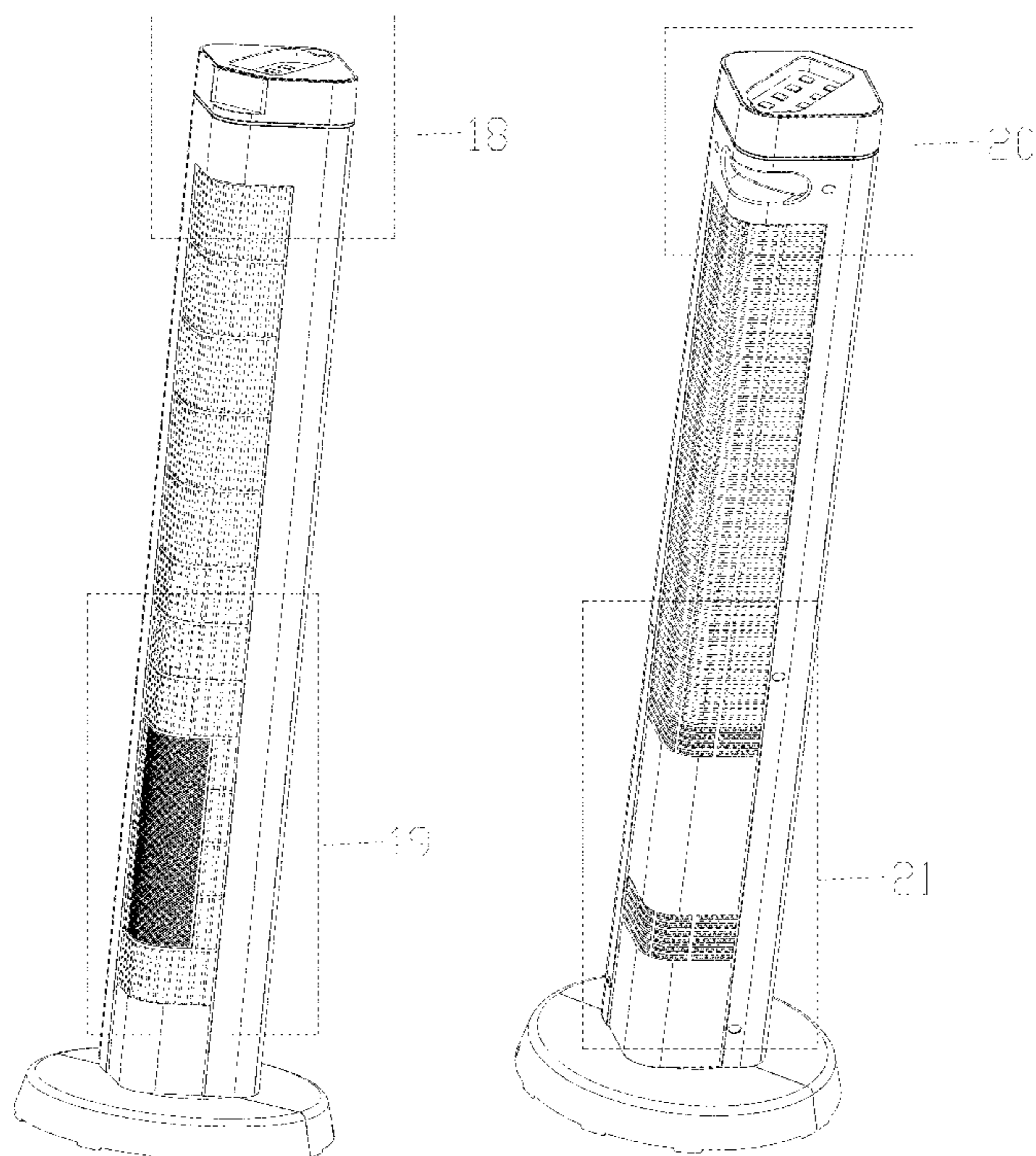
(57) **CLAIM**

The ornamental design for a heating tower fan, as shown and described.

DESCRIPTION

FIG. 1 is a front elevational view of a heating tower fan showing my new design;
 FIG. 2 is a rear elevational view thereof;
 FIG. 3 is a left side view thereof;
 FIG. 4 is a right side view thereof;
 FIG. 5 is a top plan view thereof;
 FIG. 6 is a bottom plan view thereof;
 FIG. 7 is a perspective view thereof;
 FIG. 8 is a second perspective view thereof;
 FIG. 9 is a third perspective view thereof;
 FIG. 10 is an enlarged view of portion 10 shown in FIG. 1;
 FIG. 11 is an enlarged view of portion 11 shown in FIG. 1;
 FIG. 12 is an enlarged view of portion 12 shown in FIG. 2;
 FIG. 13 is an enlarged view of portion 13 shown in FIG. 2;
 FIG. 14 is an enlarged view of portion 14 shown in FIG. 3;
 FIG. 15 is an enlarged view of portion 15 shown in FIG. 3;
 FIG. 16 is an enlarged view of portion 16 shown in FIG. 4;
 FIG. 17 is an enlarged view of portion 17 shown in FIG. 4;
 FIG. 18 is an enlarged view of portion 18 shown in FIG. 7;
 FIG. 19 is an enlarged view of portion 19 shown in FIG. 7;
 FIG. 20 is an enlarged view of portion 20 shown in FIG. 8;
 FIG. 21 is an enlarged view of portion 21 shown in FIG. 8;
 and,
 FIG. 22 is an enlarged view of portion 22 shown in FIG. 9.
 The broken lines shown in heating tower fan form no part of the claimed design.

1 Claim, 22 Drawing Sheets



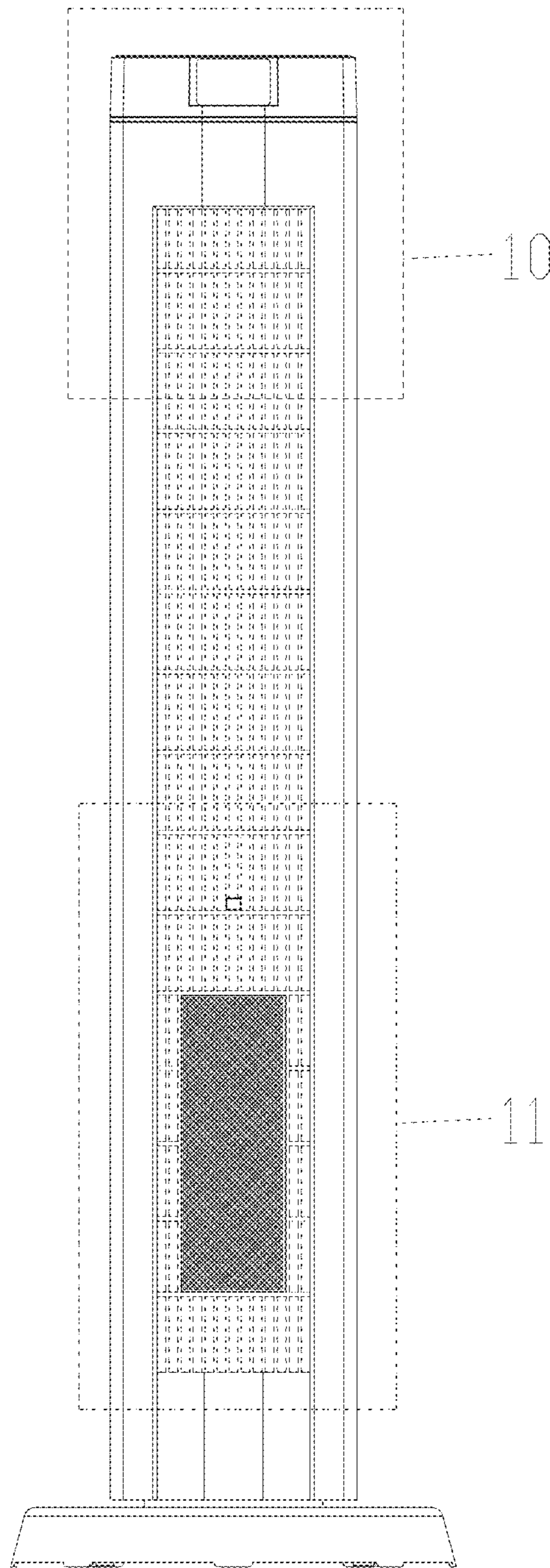


FIG. 1

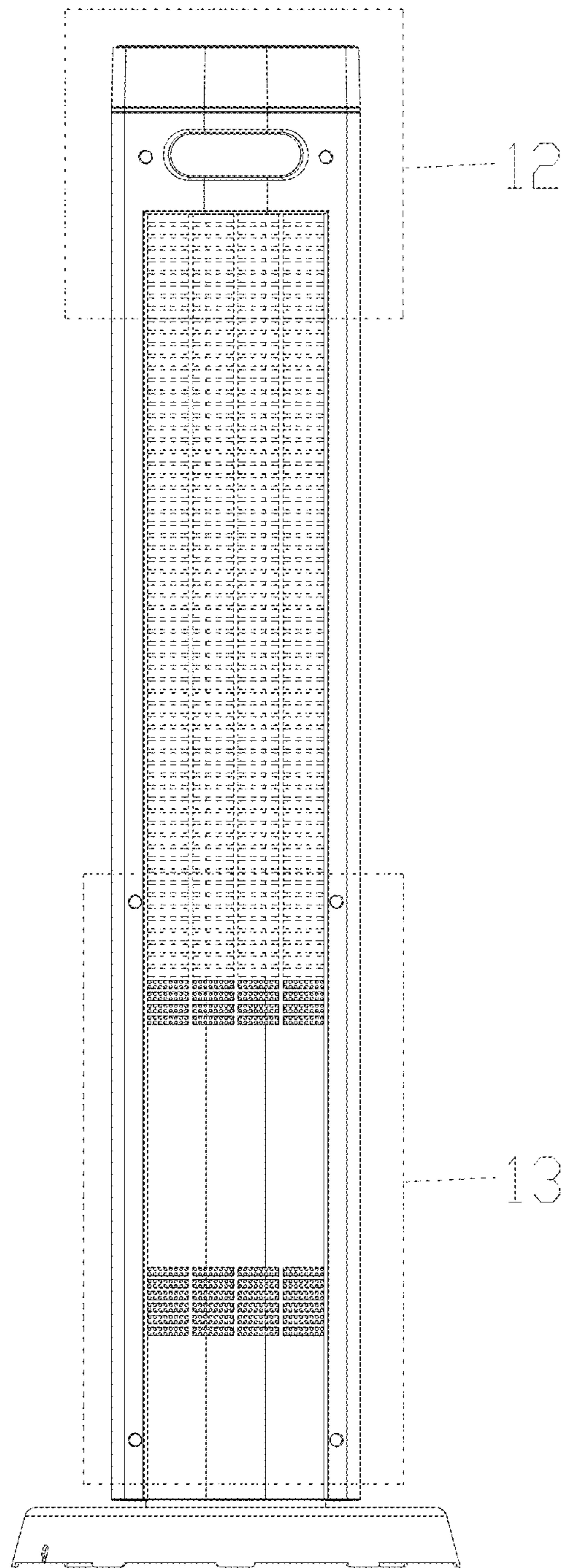


FIG. 2

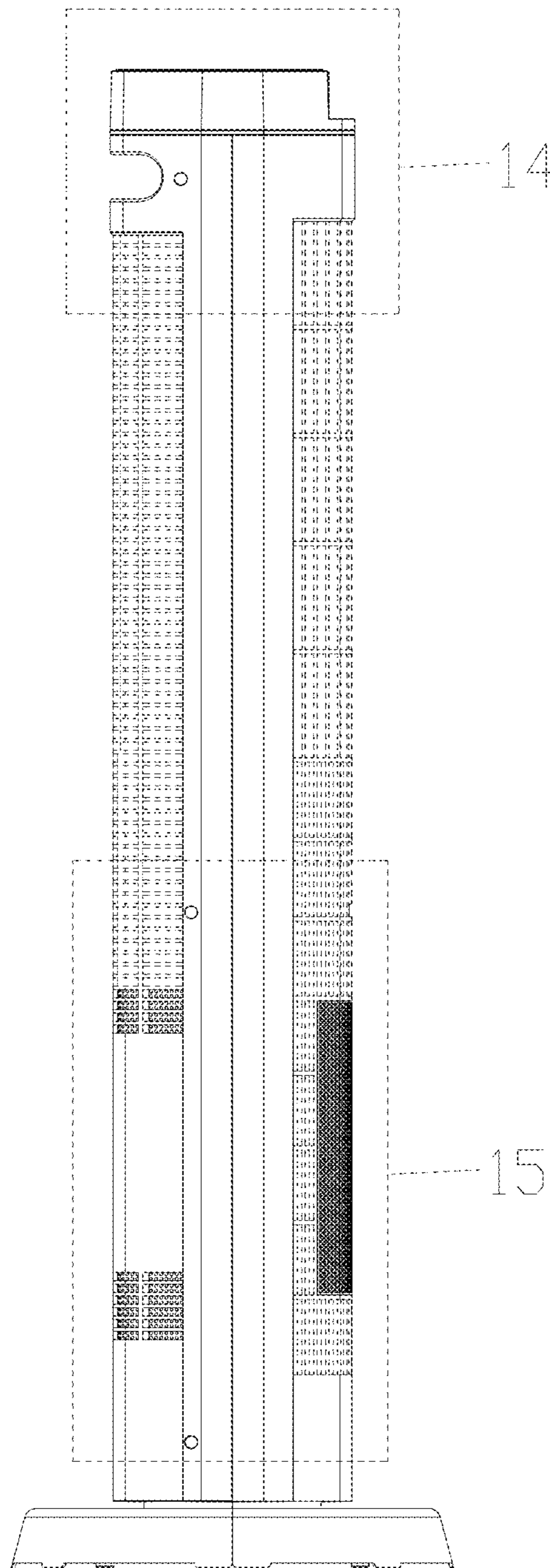


FIG. 3

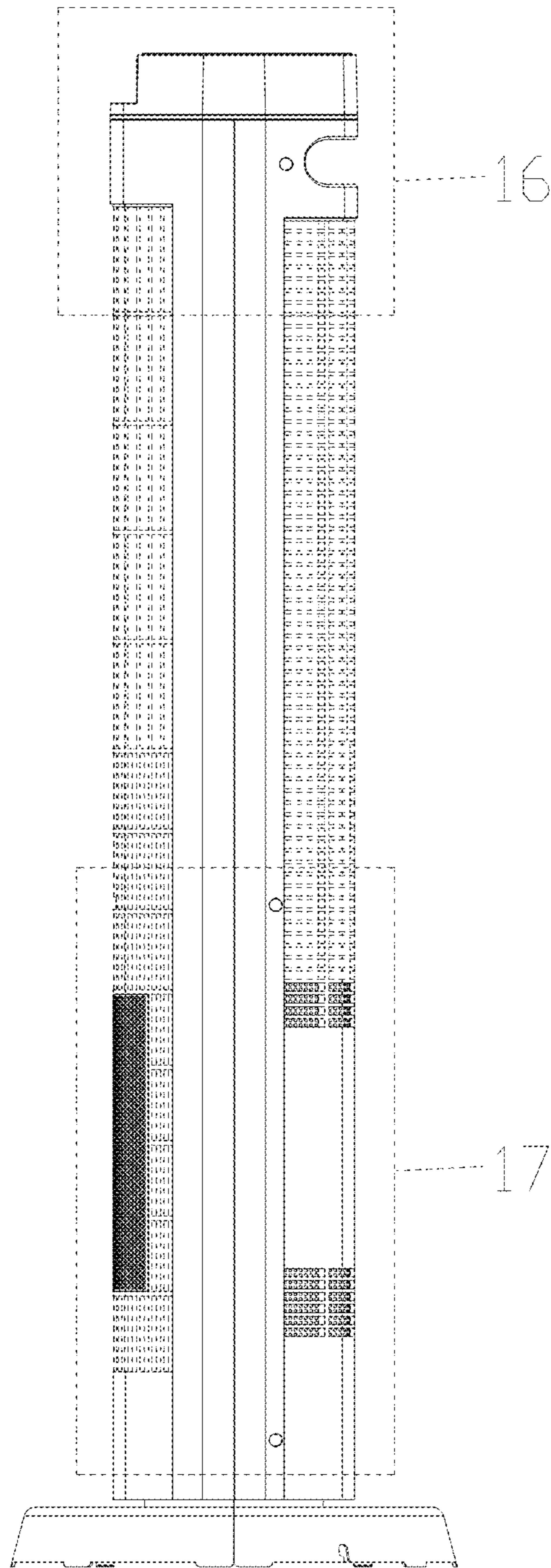


FIG. 4

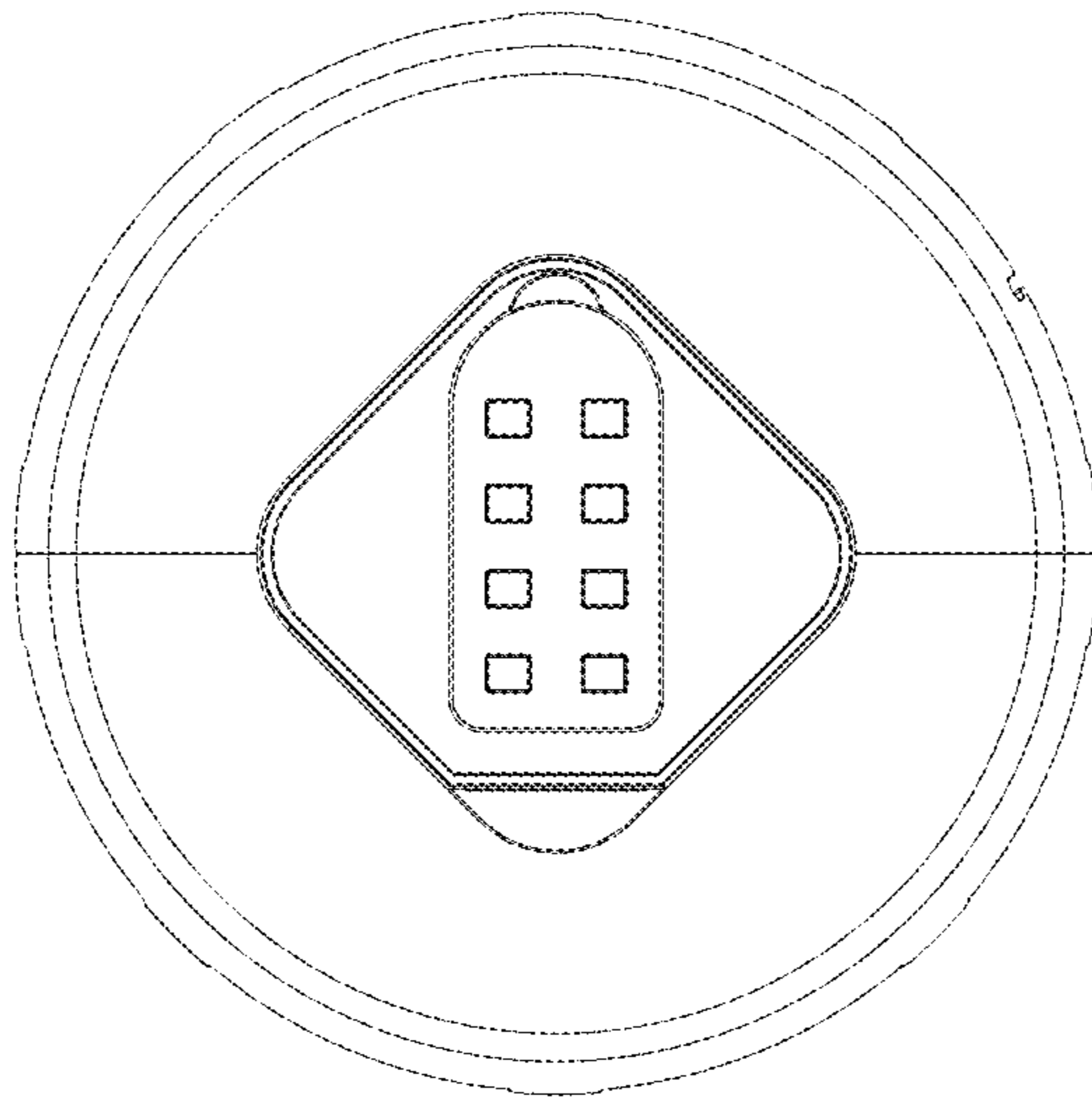


FIG. 5

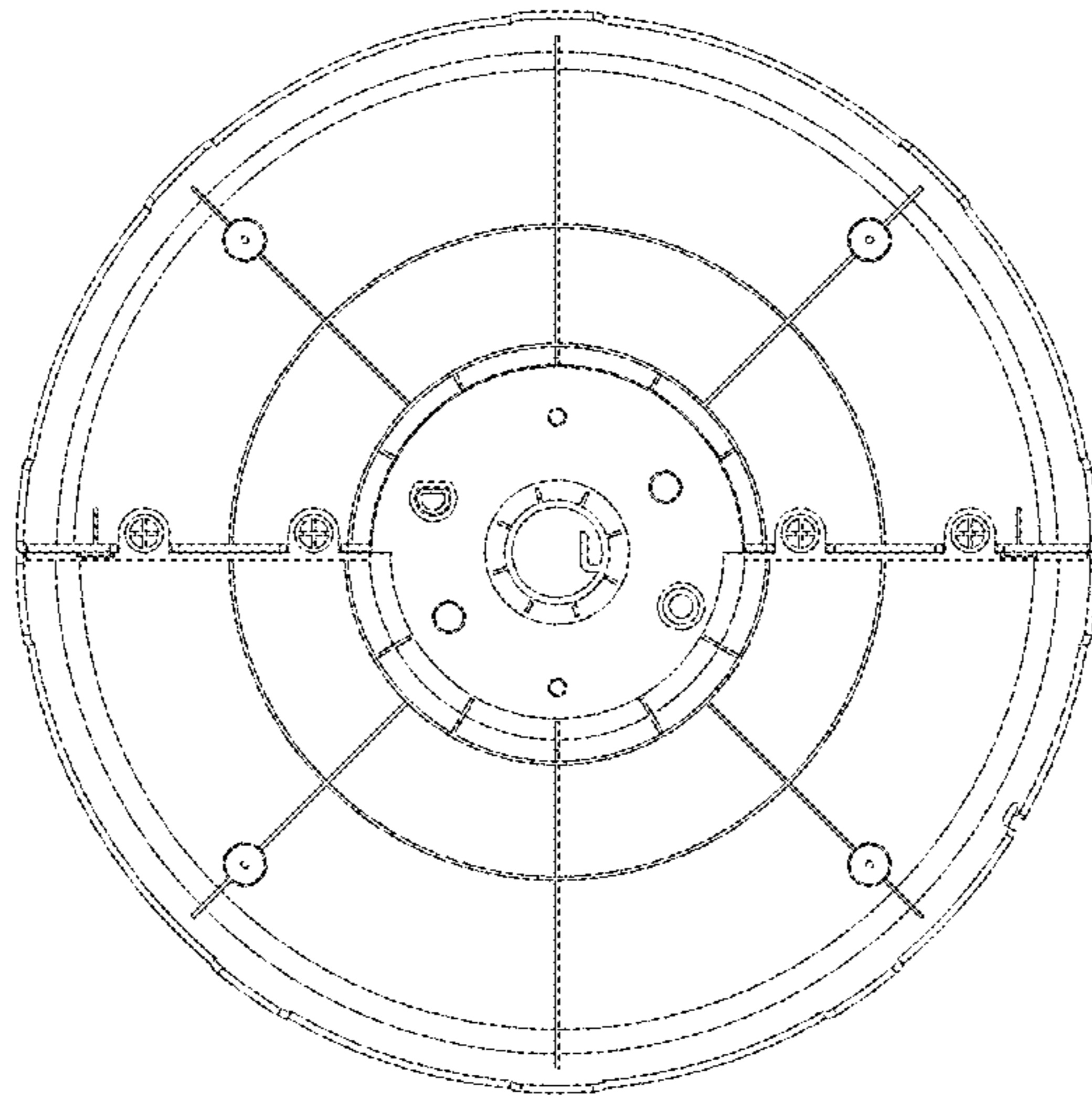


FIG. 6

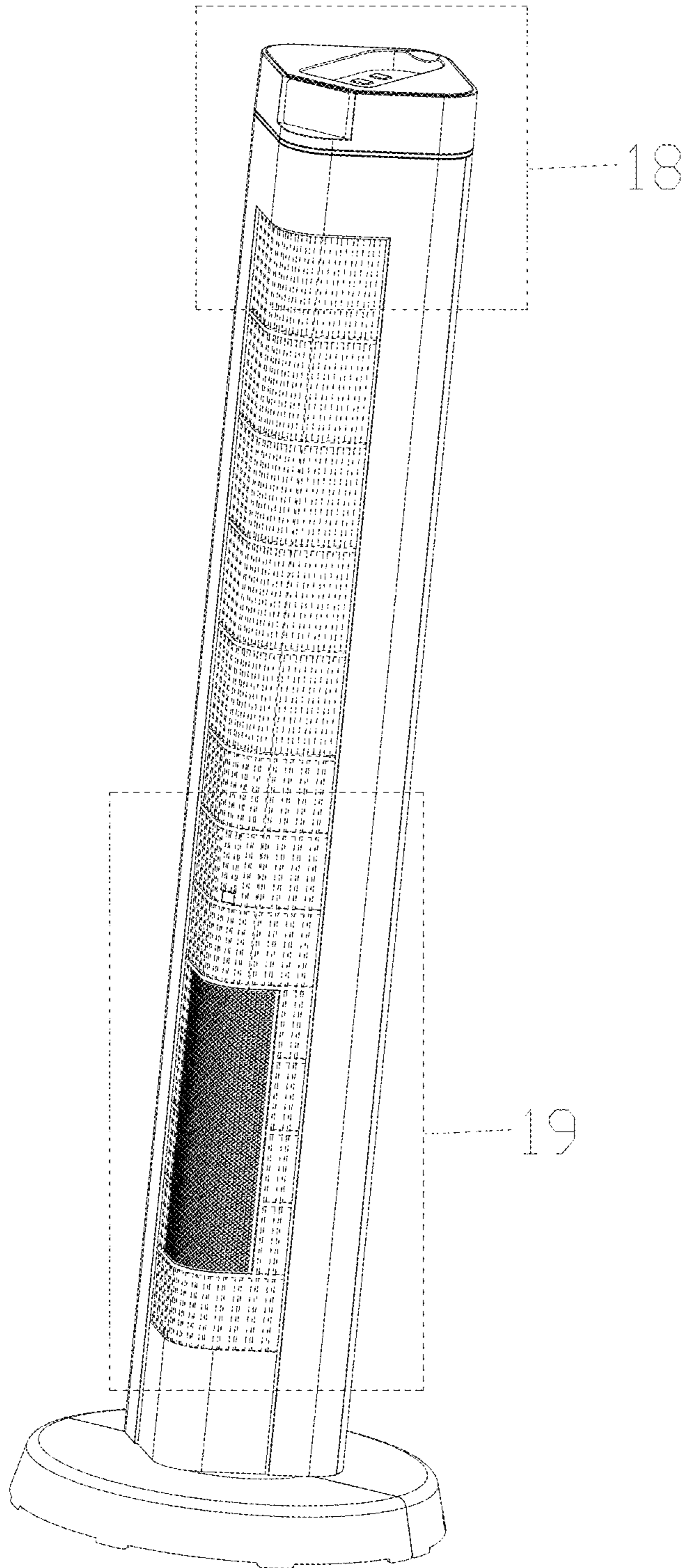


FIG. 7

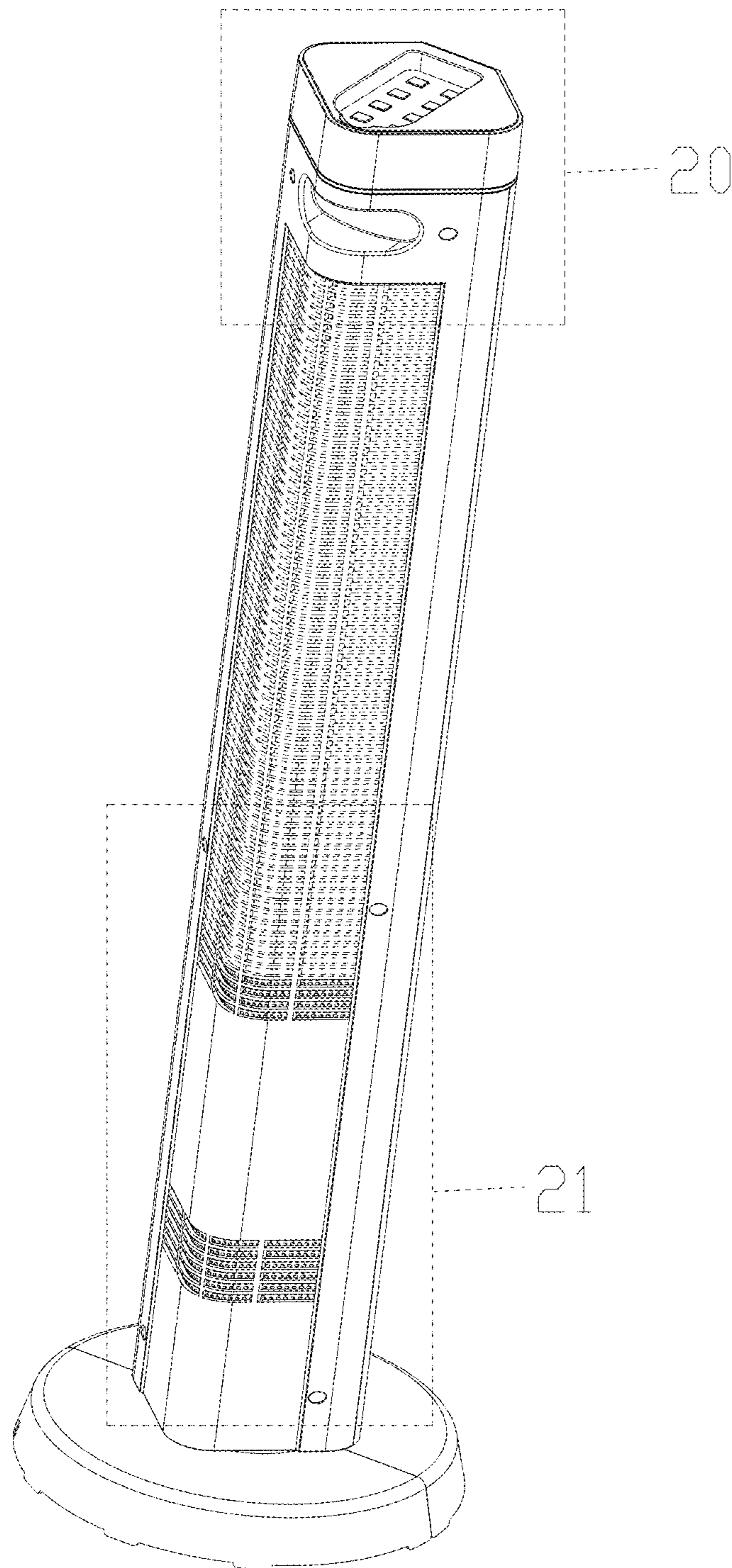


FIG. 8

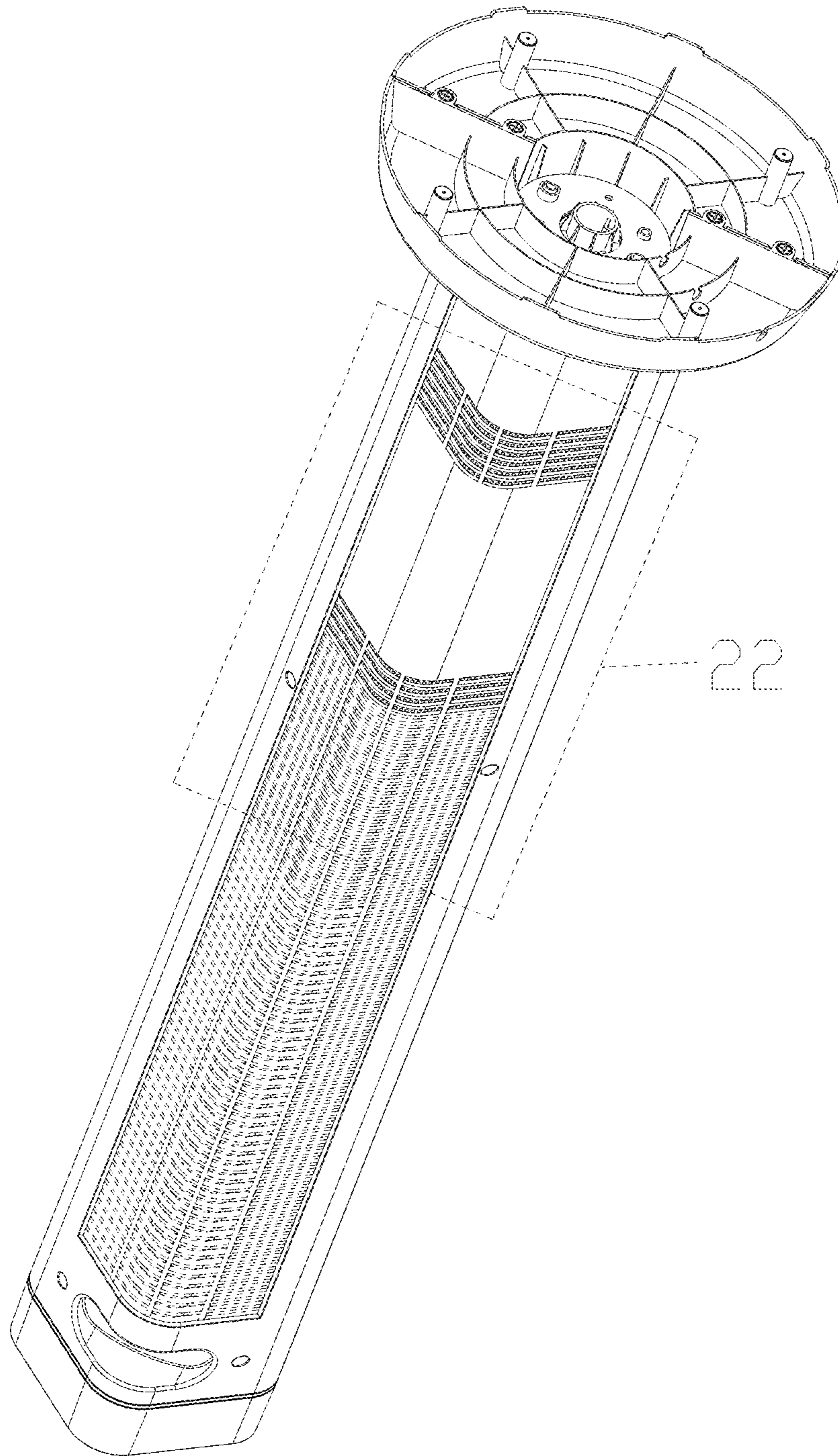


FIG. 9

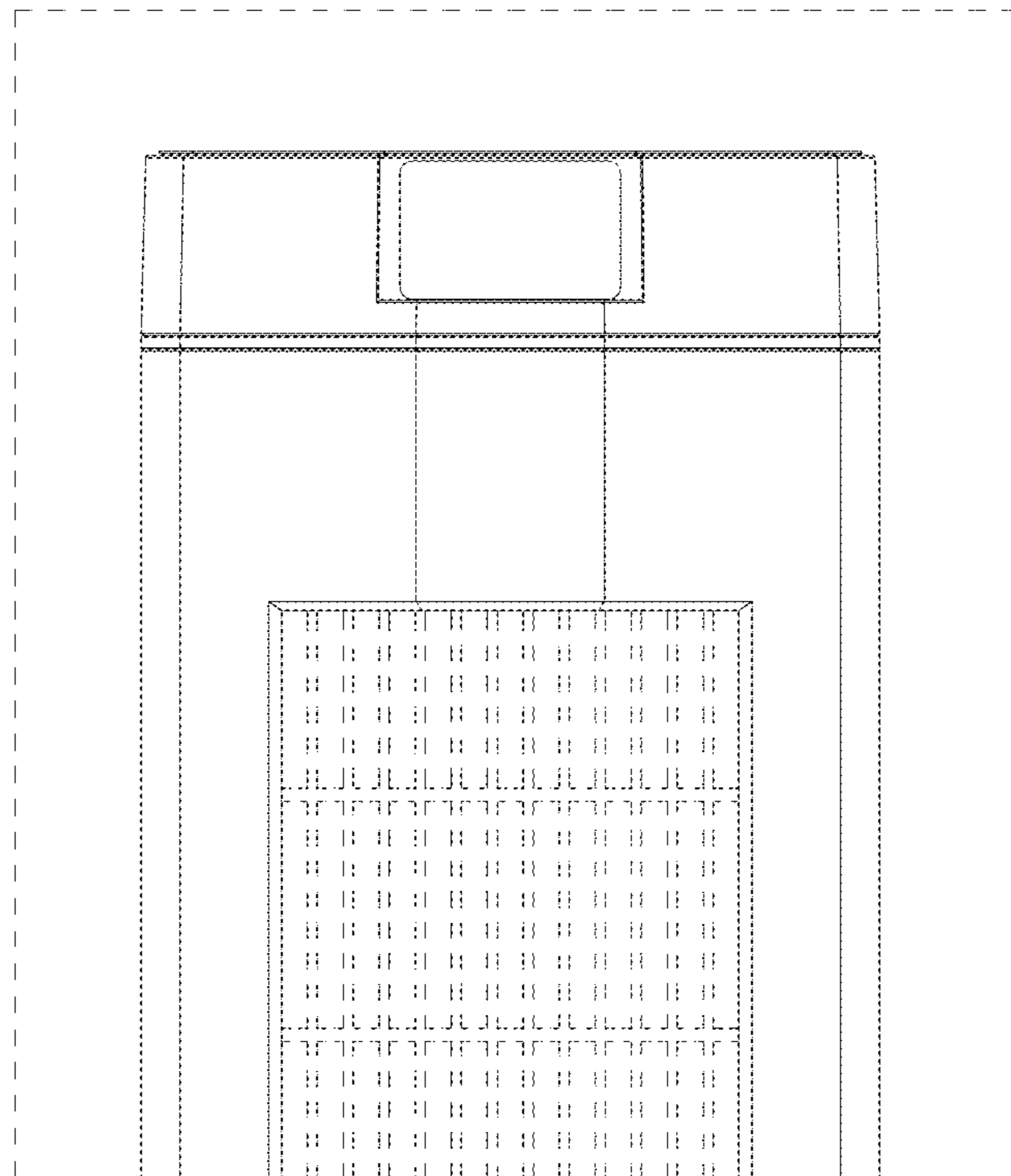


FIG. 10

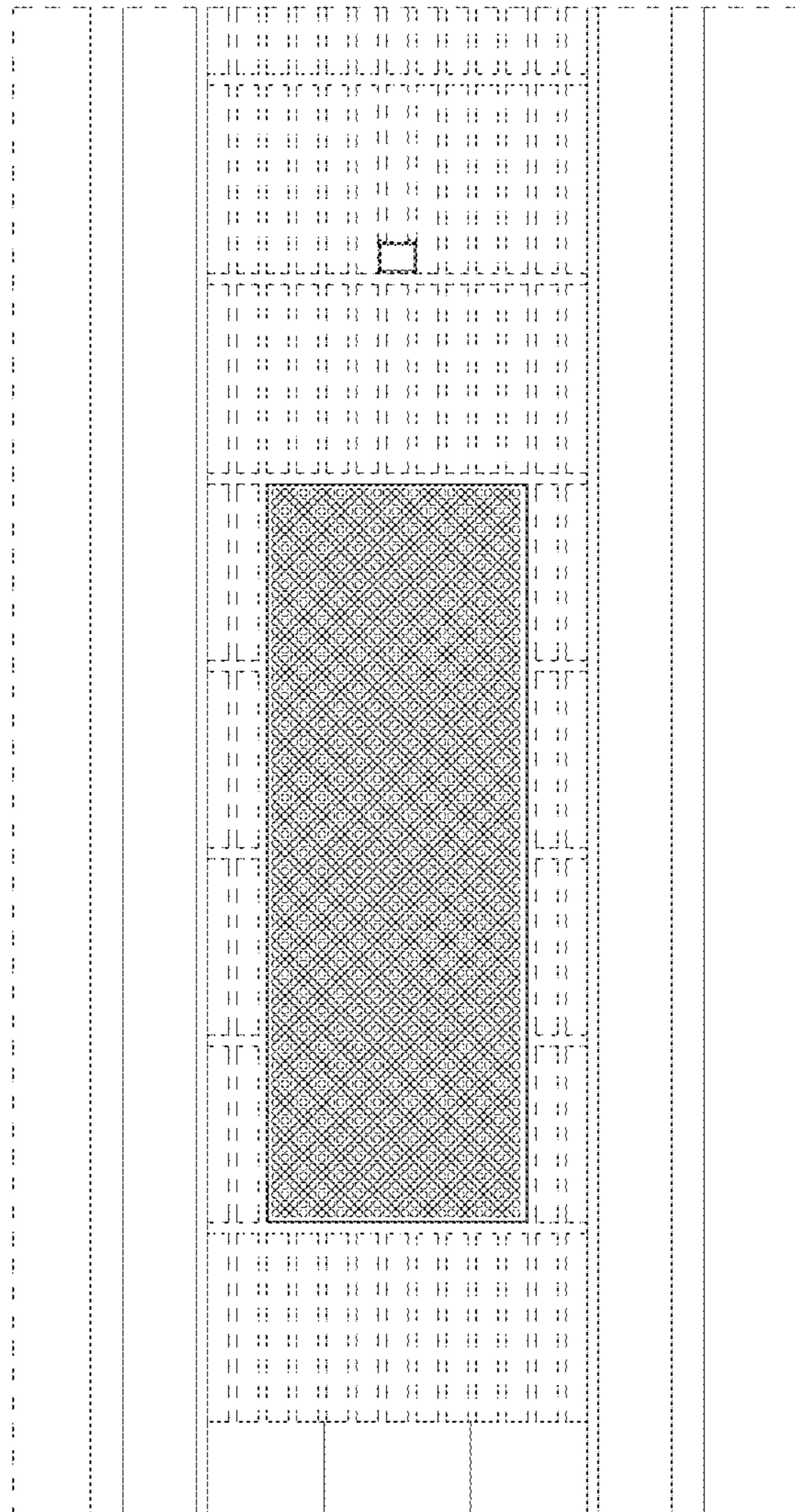


FIG. 11

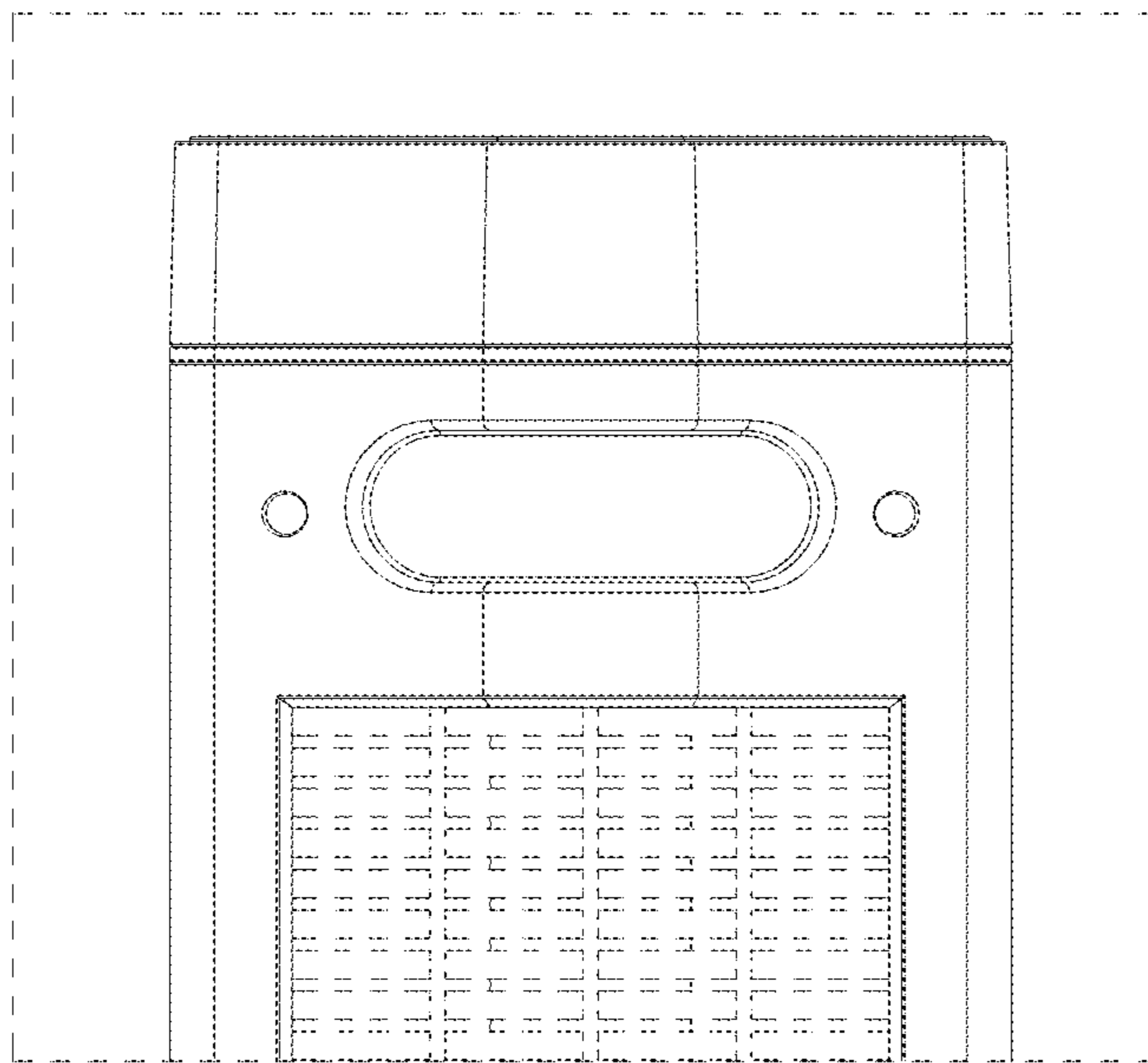


FIG. 12

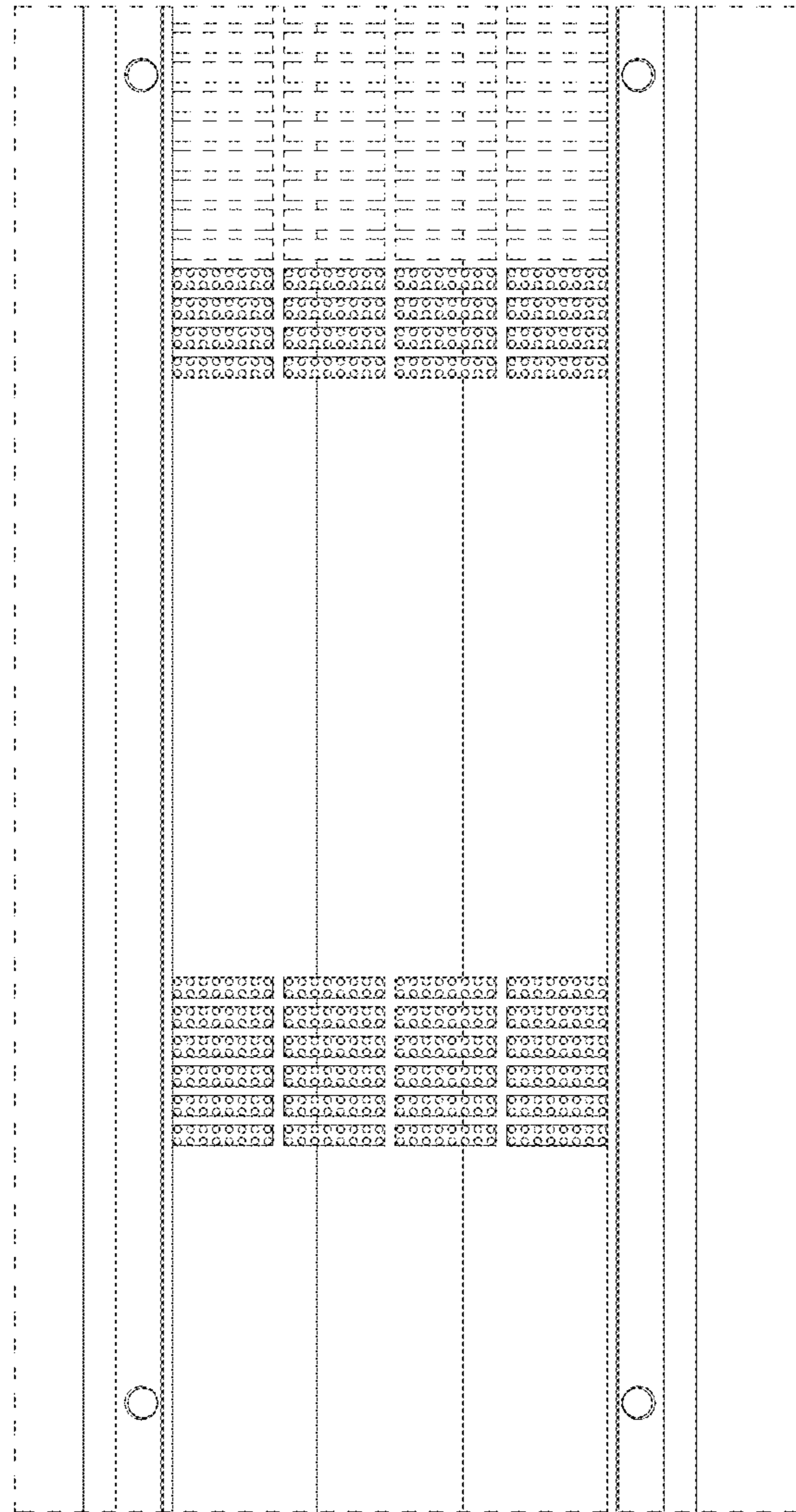


FIG. 13

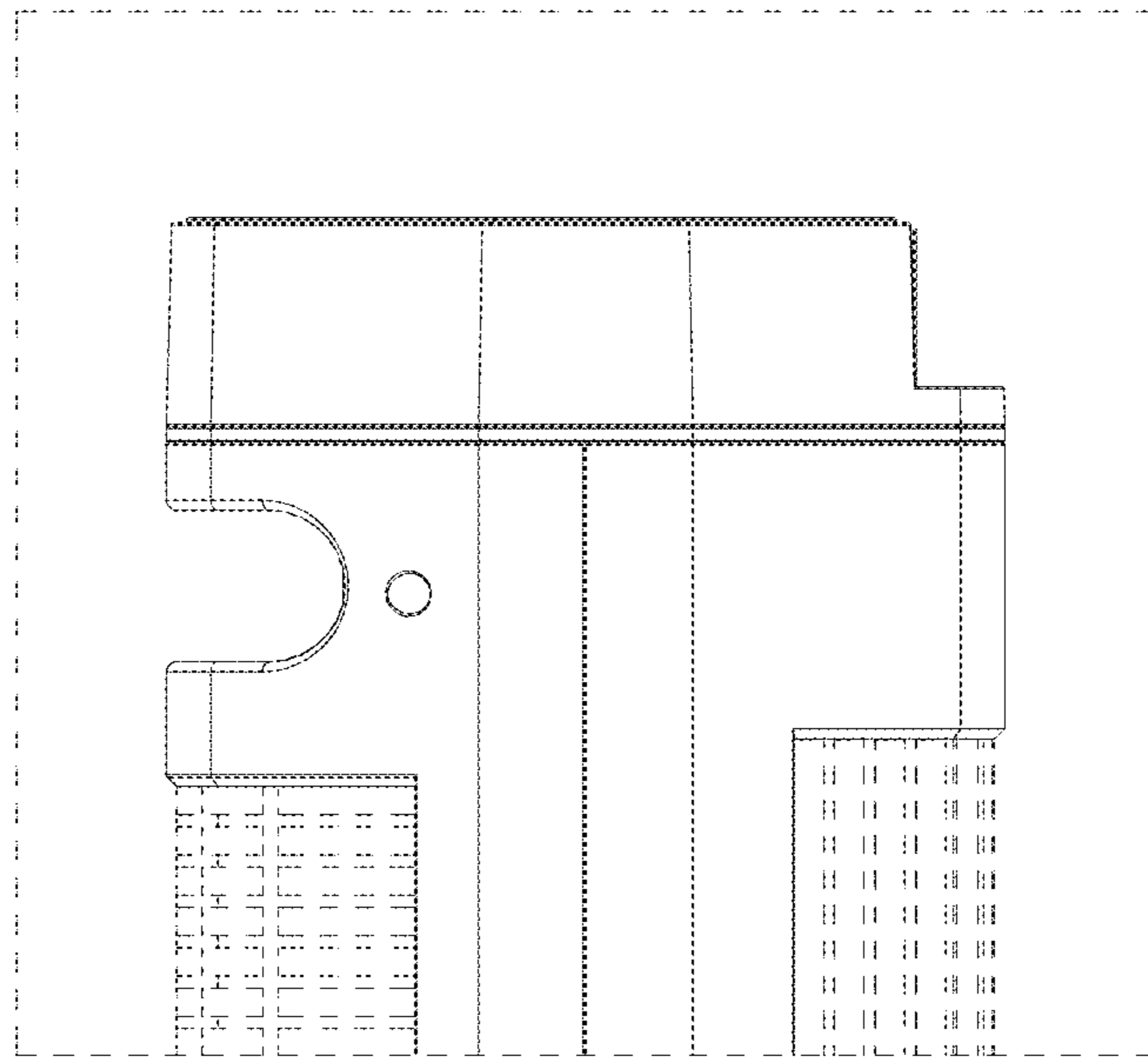


FIG. 14

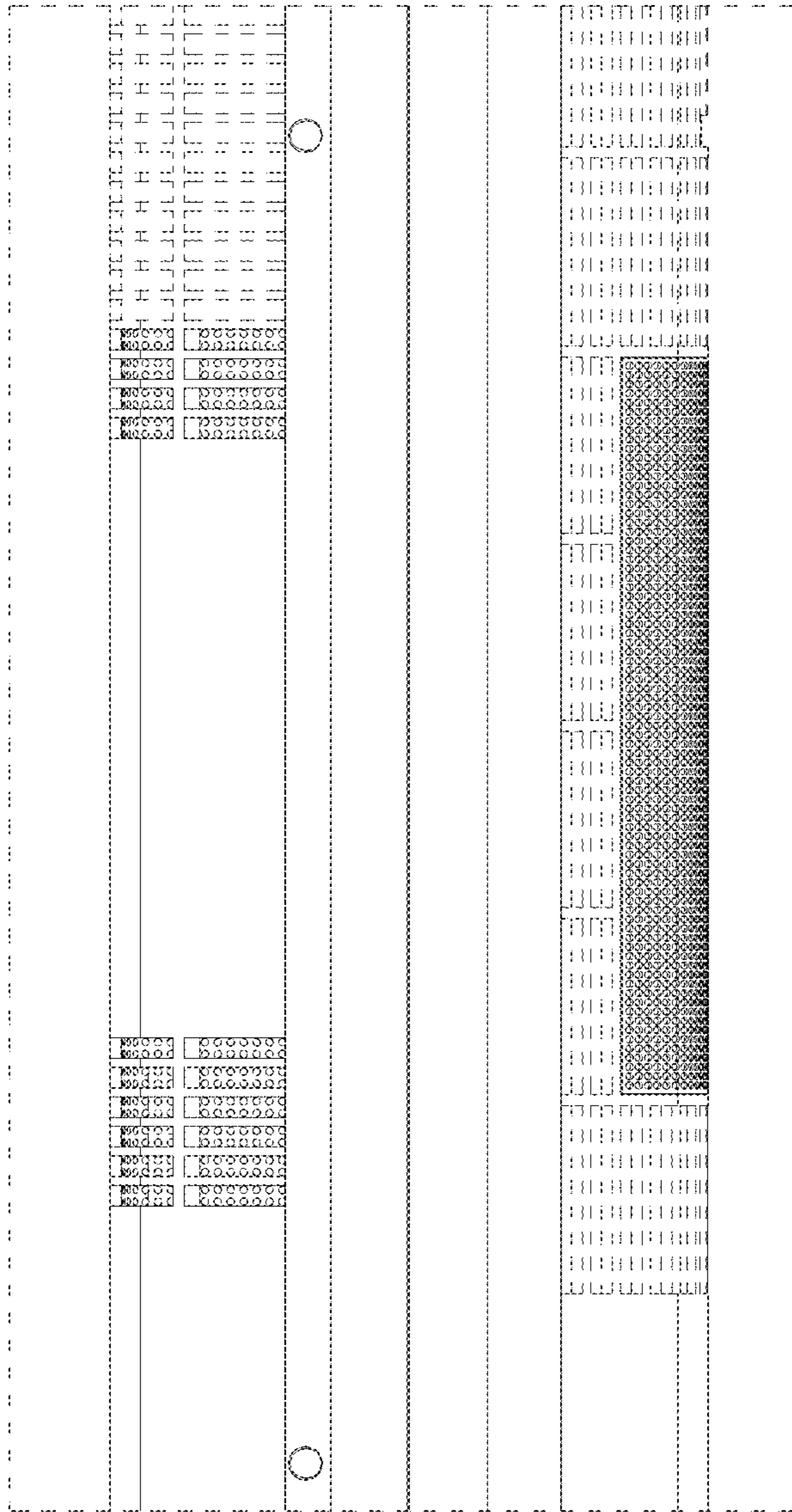


FIG. 15

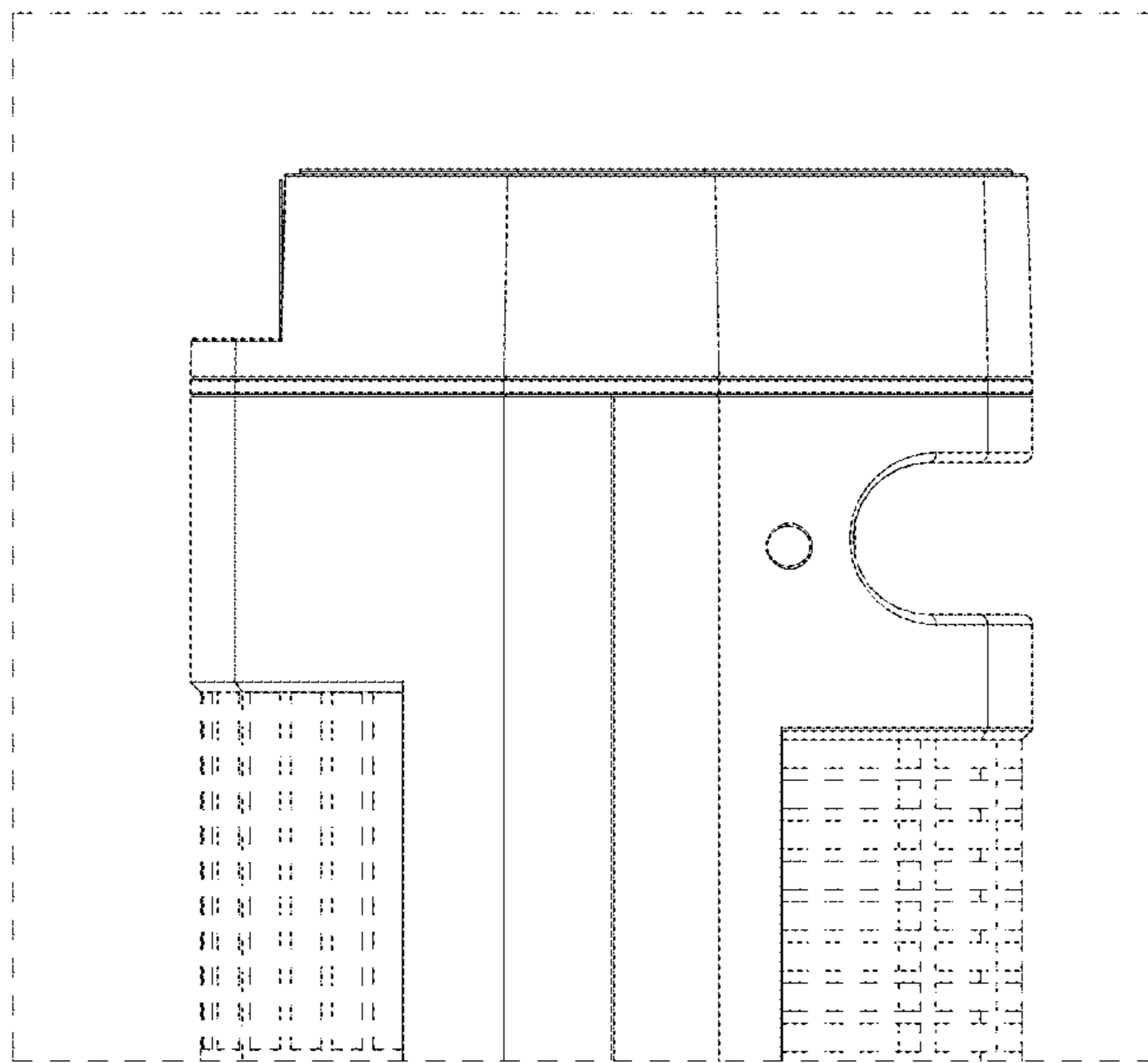


FIG. 16

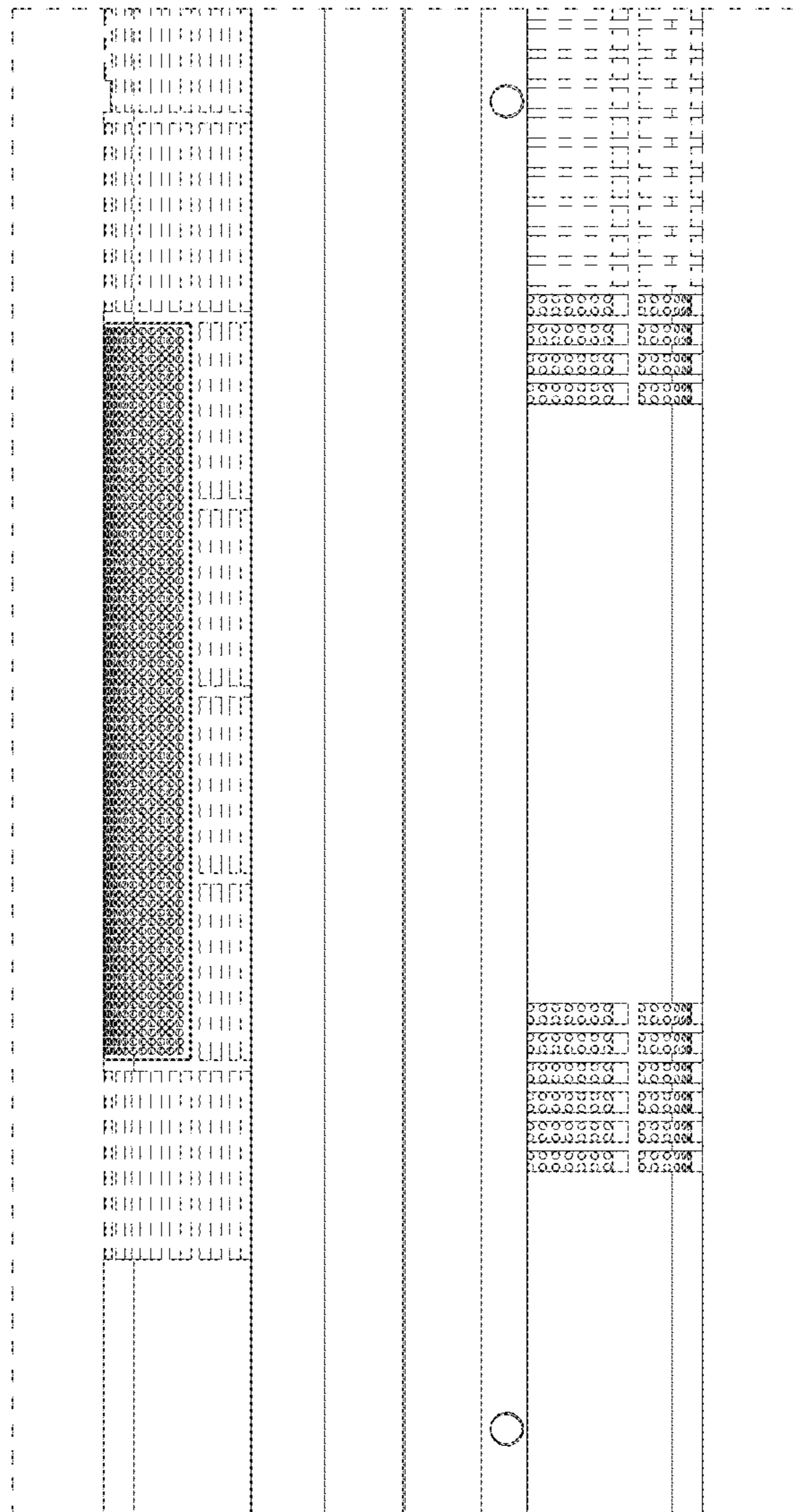


FIG. 17

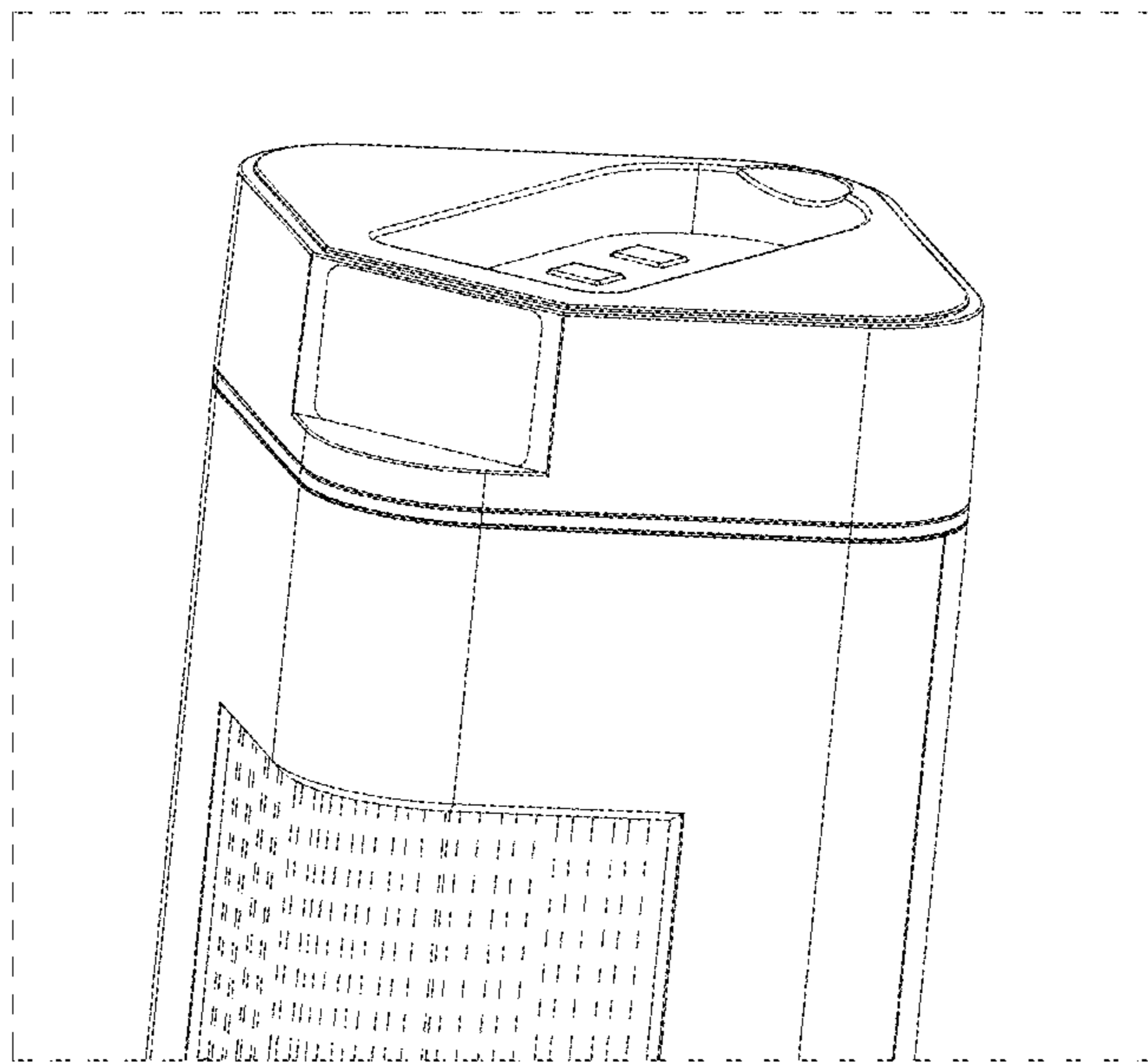


FIG. 18

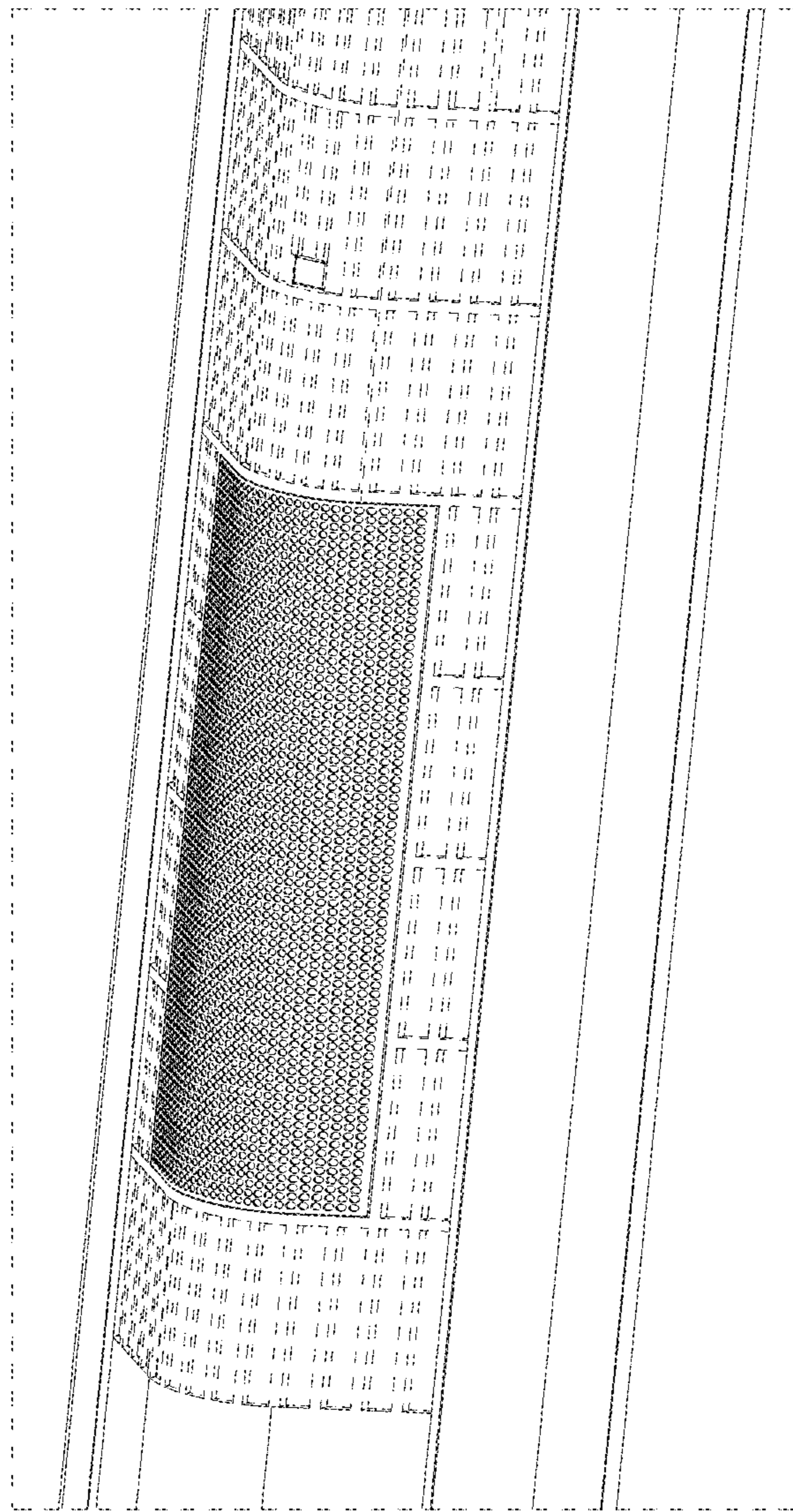


FIG. 19

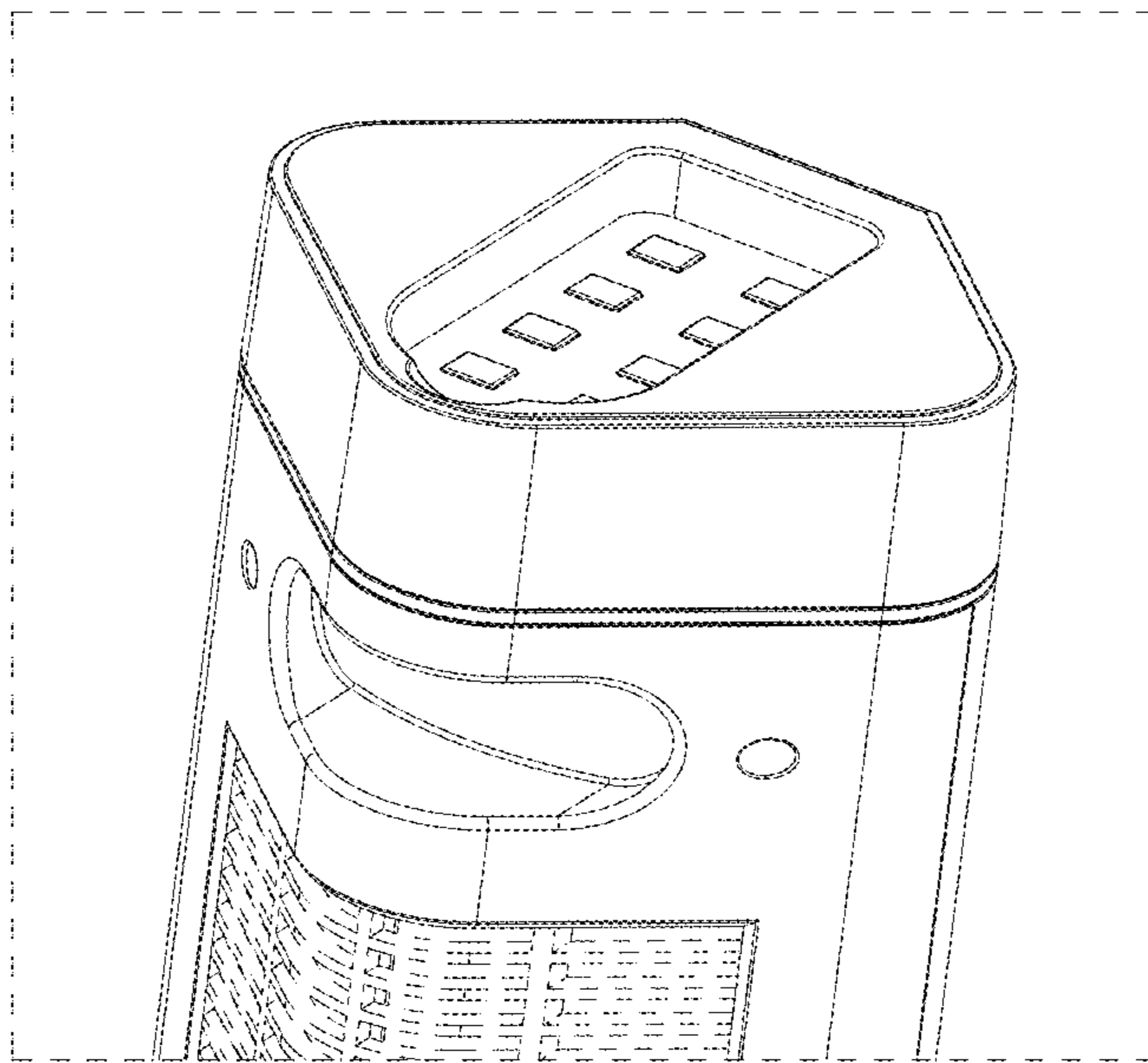


FIG. 20

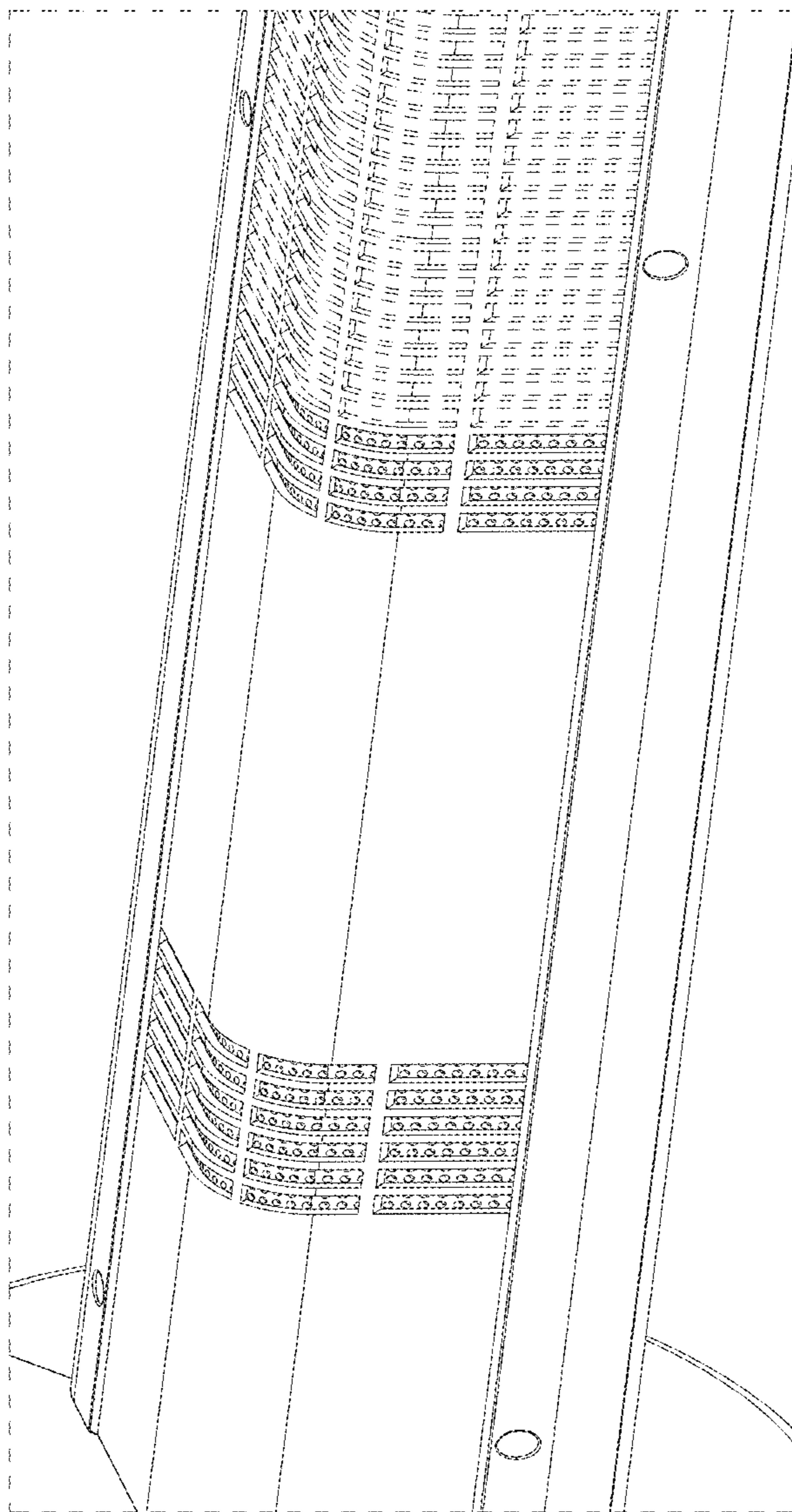


FIG. 21

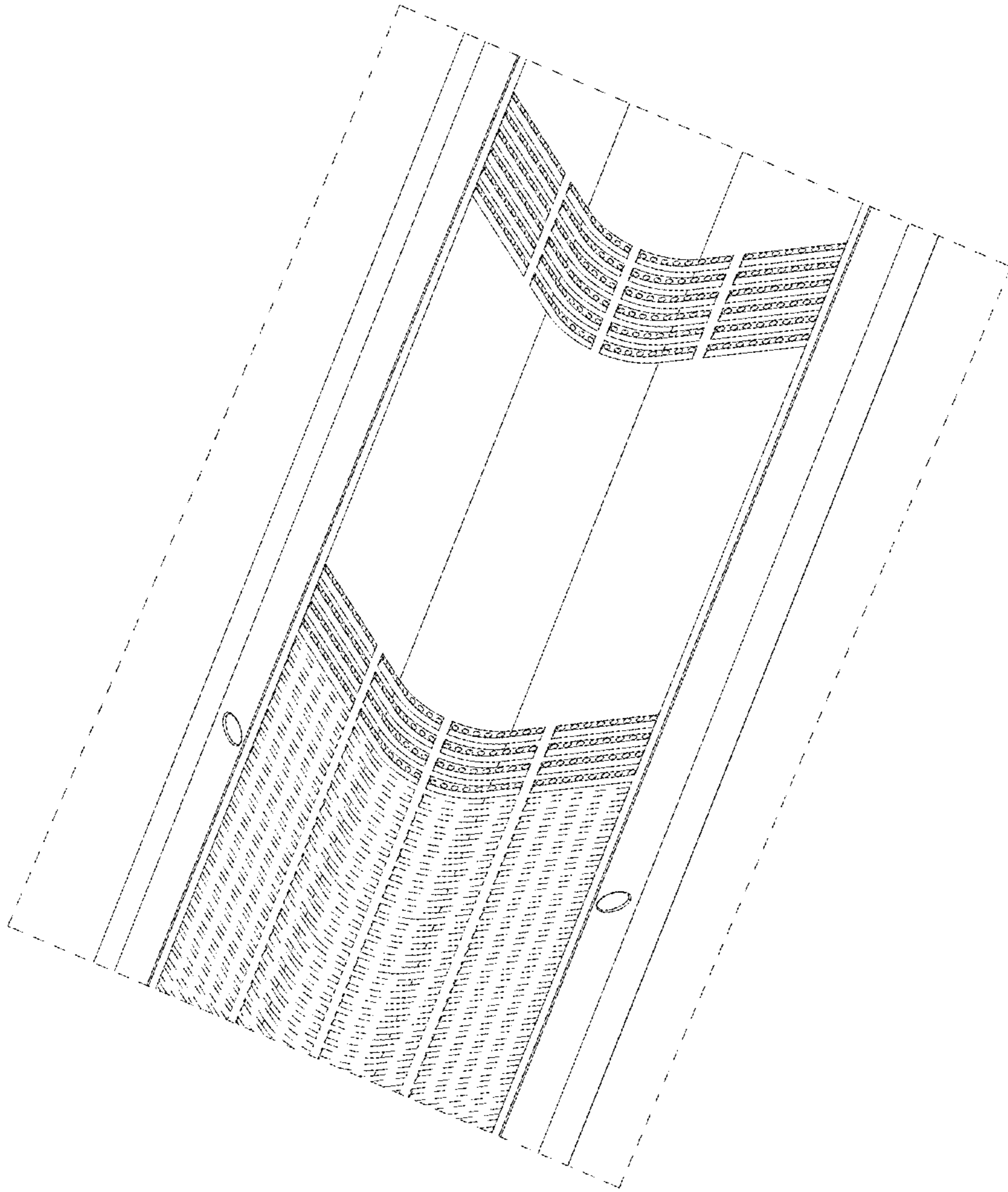


FIG. 22