



US00D931997S

(12) **United States Design Patent**  
**Chu**

(10) **Patent No.:** **US D931,997 S**

(45) **Date of Patent:** **\*\* Sep. 28, 2021**

(54) **TOWER FAN**

(71) Applicant: **Guangdong Lesheng Intelligent Technology Co., Ltd., Dongguan (CN)**

(72) Inventor: **Yunjiang Chu, Hunan (CN)**

(\*\*) Term: **15 Years**

(21) Appl. No.: **29/717,318**

(22) Filed: **Dec. 17, 2019**

(51) **LOC (13) Cl.** ..... **23-04**

(52) **U.S. Cl.**  
USPC ..... **D23/378**

(58) **Field of Classification Search**  
USPC ..... D23/314, 351, 353, 354, 364, 366,  
D23/370-376, 378, 381, 383, 385, 388,  
D23/393, 395, 411, 412, 332, 333, 335,  
D23/337

CPC ..... F04D 25/088; F04D 29/388; F04D 29/34;  
F04D 25/08; F21V 33/0096

See application file for complete search history.

(56) **References Cited**

**U.S. PATENT DOCUMENTS**

D290,997 S \* 7/1987 Utsuki ..... D23/342  
D423,093 S \* 4/2000 Fok ..... D23/370

D515,193 S \* 2/2006 Chen ..... D23/366  
D565,161 S \* 3/2008 Harris, Jr. .... D23/364  
D892,294 S \* 8/2020 Cartwright ..... D23/370

\* cited by examiner

*Primary Examiner* — Lilyana Bekic

*Assistant Examiner* — Sharon S Oum

(74) *Attorney, Agent, or Firm* — Prakash Nama; Global IP Services, PLLC

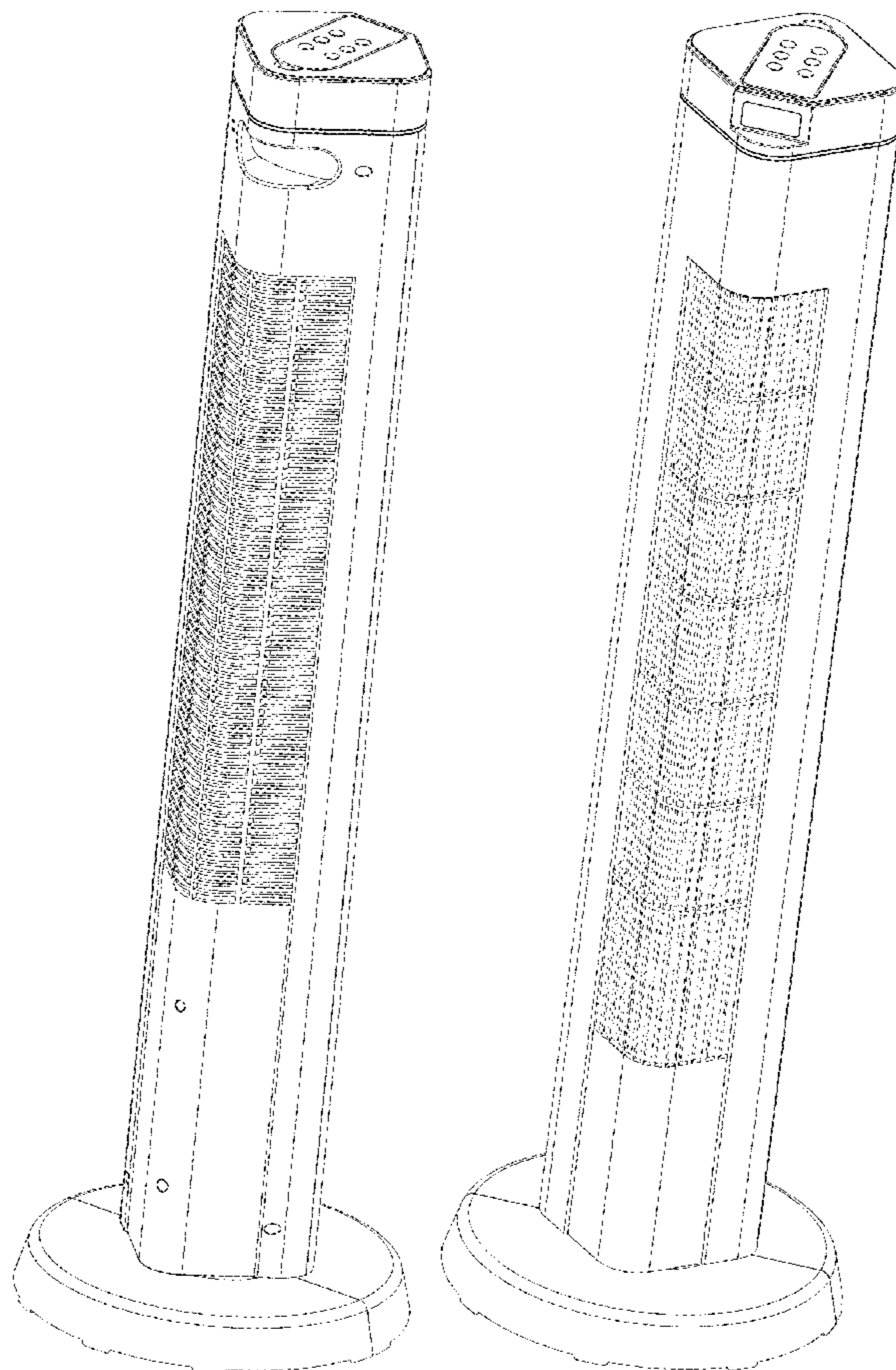
(57) **CLAIM**

The ornamental design for a tower fan, as shown and described.

**DESCRIPTION**

FIG. 1 is a front elevational view of a tower fan showing my new design;  
FIG. 2 is a rear elevational view thereof;  
FIG. 3 is a left side view thereof;  
FIG. 4 is a right side view thereof;  
FIG. 5 is a top plan view thereof;  
FIG. 6 is a bottom plan view thereof;  
FIG. 7 is a perspective view thereof;  
FIG. 8 is a second perspective view thereof; and,  
FIG. 9 is a third perspective view thereof.  
The broken lines shown in tower fan form no part of the claimed design.

**1 Claim, 8 Drawing Sheets**



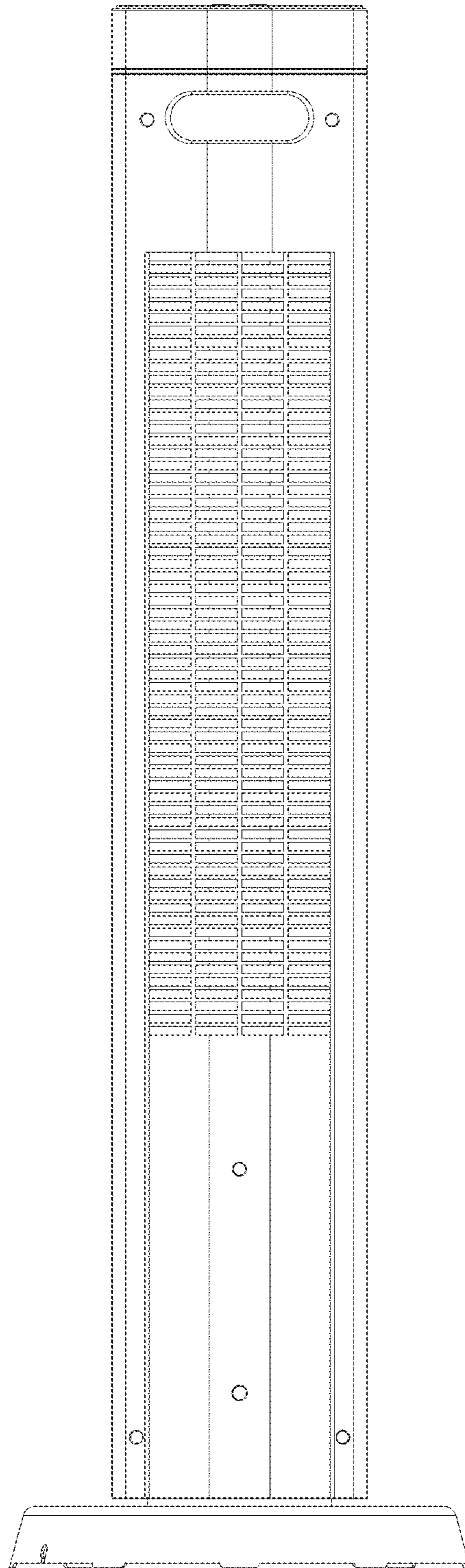


FIG. 1

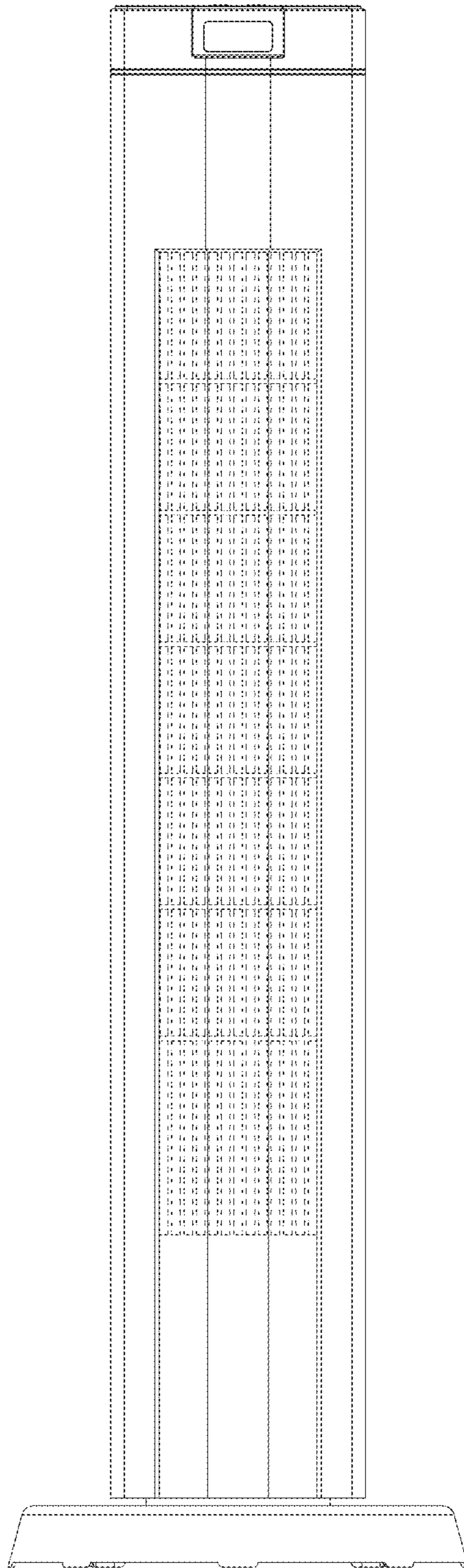


FIG. 2

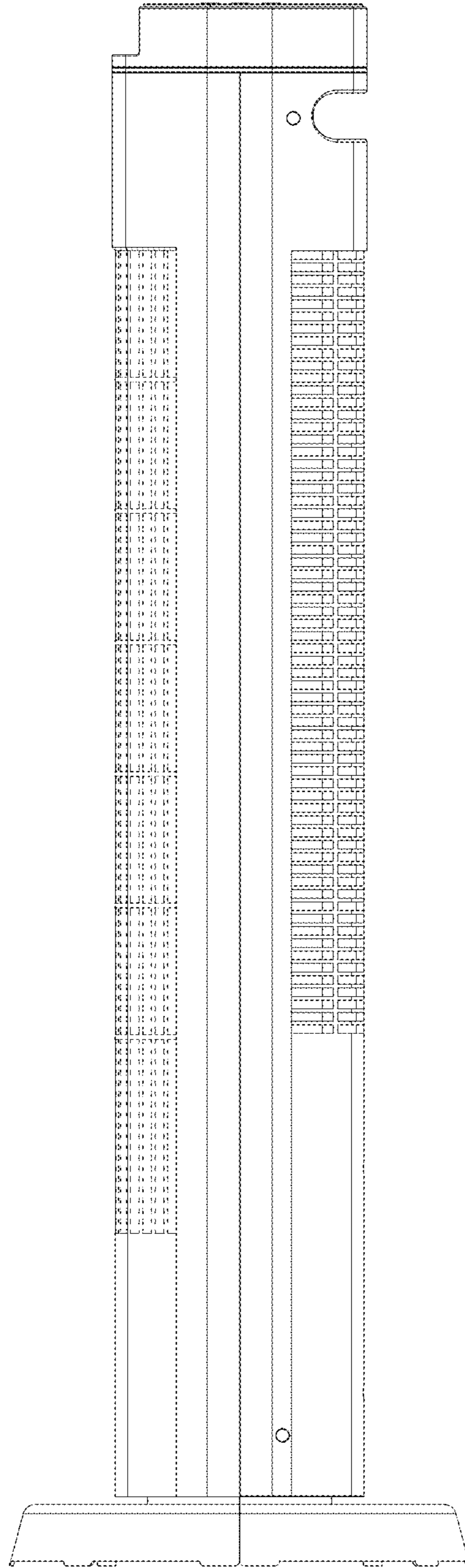


FIG. 3

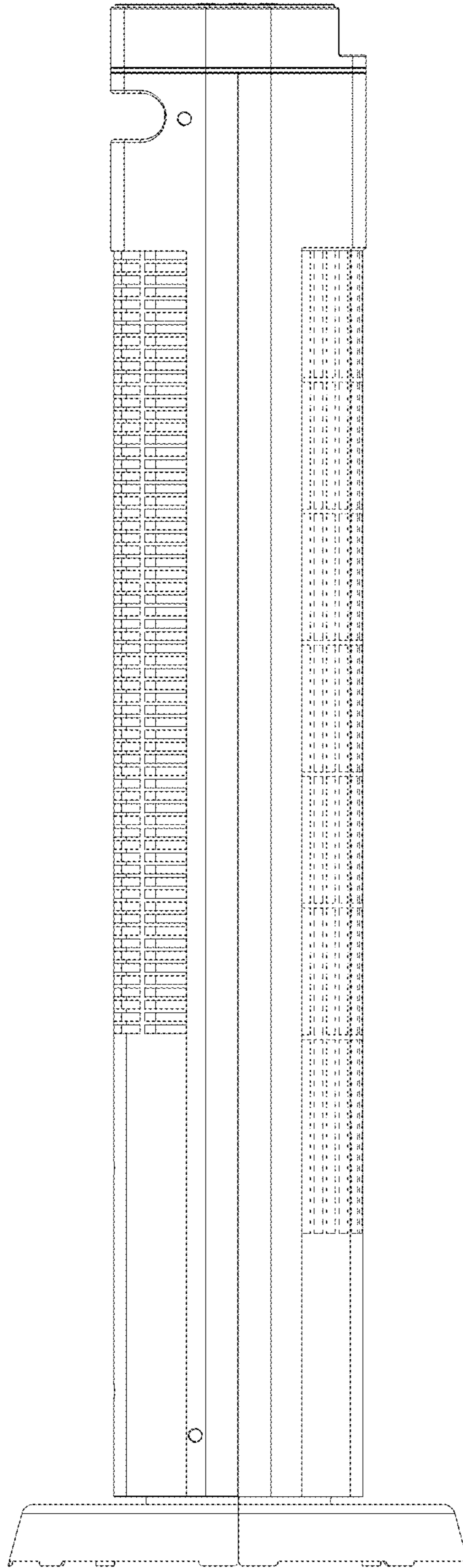


FIG. 4



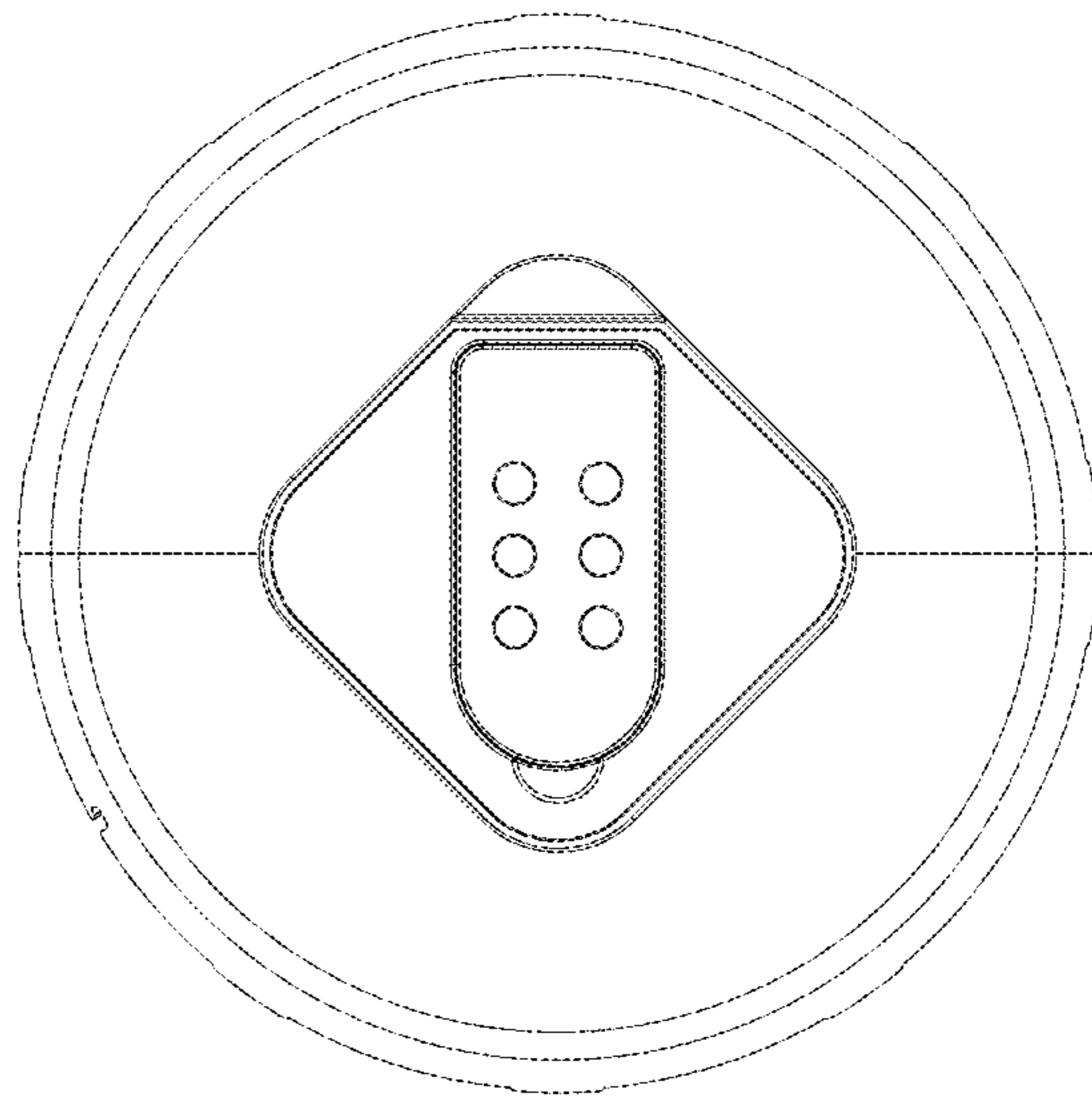


FIG. 5

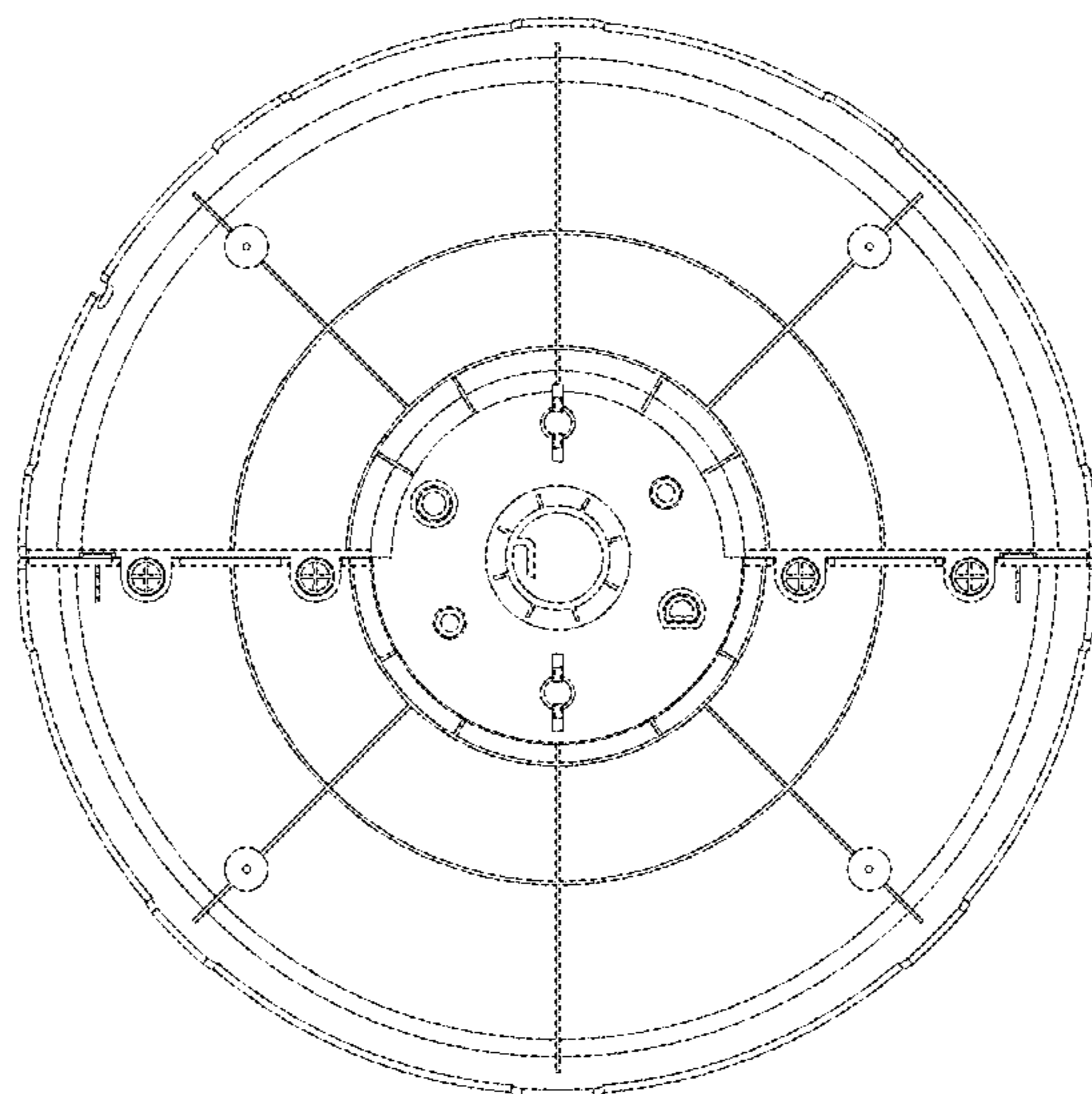


FIG. 6

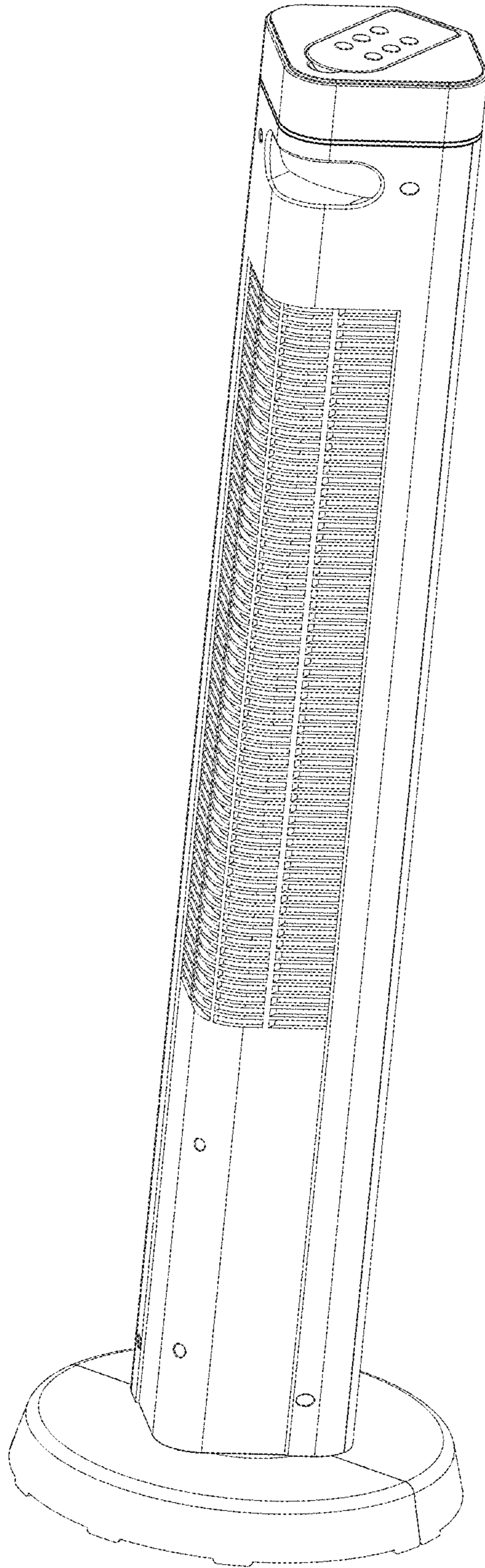


FIG. 7

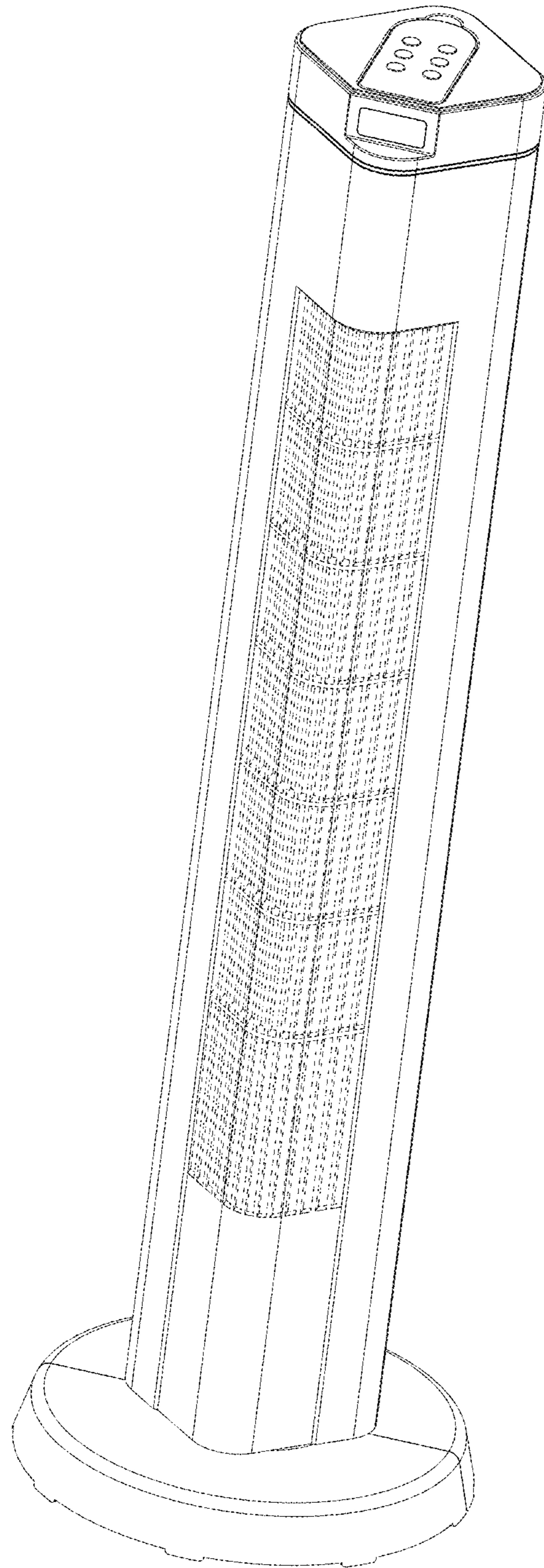


FIG. 8



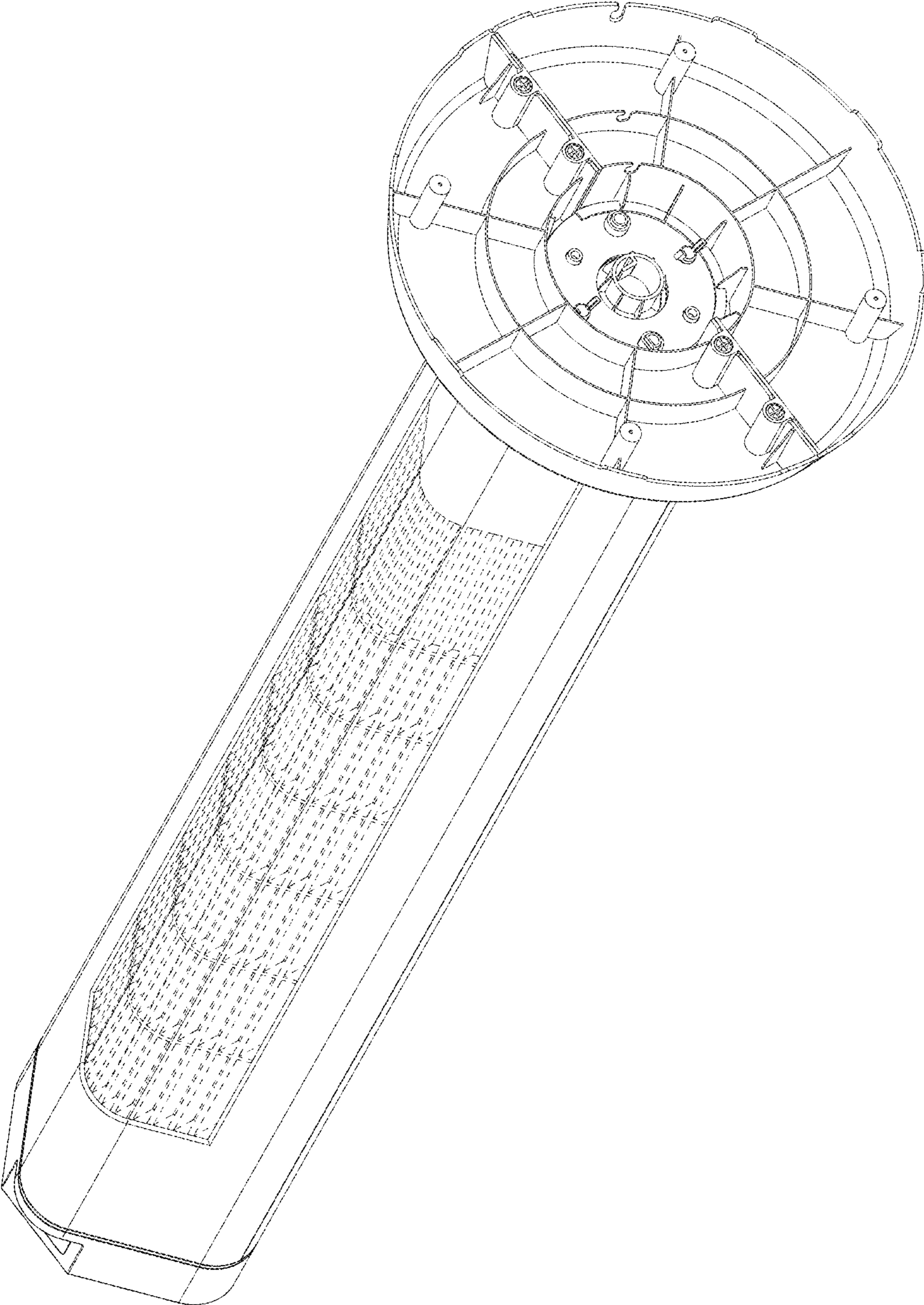


FIG. 9