



US00D931996S

(12) **United States Design Patent** (10) **Patent No.:** **US D931,996 S**  
**Thompson et al.** (45) **Date of Patent:** **\*\* Sep. 28, 2021**

(54) **BASE FOR A SCENT WARMER**  
(71) Applicant: **Scentsy, Inc.**, Meridian, ID (US)  
(72) Inventors: **R. Orville Thompson**, Eagle, ID (US);  
**Kyle Ostrem**, Boise, ID (US); **Mark Sullivan**, Meridian, ID (US); **Martin Stenger**, Boise, ID (US)

2012/0024837 A1 2/2012 Thompson  
2012/0138594 A1 6/2012 Stewart  
2012/0318779 A1 12/2012 Juarez  
2012/0318780 A1 12/2012 Juarez  
2013/0020307 A1 1/2013 Ashton et al.  
2021/0106712 A1\* 4/2021 Lee ..... A61L 9/03

(73) Assignee: **Scentsy, Inc.**, Meridian, ID (US)

(\*\*) Term: **15 Years**

(21) Appl. No.: **29/722,295**

(22) Filed: **Jan. 28, 2020**

(51) **LOC (13) Cl.** ..... **28-99**

(52) **U.S. Cl.**  
USPC ..... **D23/366**

(58) **Field of Classification Search**  
USPC ..... D23/209, 355, 356, 358, 359, 360, 364,  
D23/365, 366, 367; D99/5; D24/217;  
D32/1  
CPC . A61L 9/03; A61L 9/012; A61L 9/015; A61L  
9/037; F41J 1/01  
See application file for complete search history.

(56) **References Cited**

**U.S. PATENT DOCUMENTS**

D641,858 S 7/2011 Thompson  
8,412,029 B2\* 4/2013 Browder ..... F21V 33/0004  
392/390  
8,772,675 B2 7/2014 Juarez  
8,809,744 B2 8/2014 Stewart  
8,878,102 B2\* 11/2014 Juarez ..... A61L 9/03  
219/209  
D721,449 S \* 1/2015 Chen ..... D26/26  
D725,762 S 3/2015 Bishop  
9,211,355 B2 12/2015 Thompson et al.  
D807,485 S 1/2018 Bishop et al.  
D845,883 S 4/2019 Son  
D859,702 S \* 9/2019 Pattat ..... D26/9

**OTHER PUBLICATIONS**

Thompson et al., "Scent Warmer Having Sleeve for Removably Attaching Decorative Body to Base and Related Methods," Application for United States Design Patent Via Electronic Filing, (Jan. 28, 2020), 22 pages.

\* cited by examiner

*Primary Examiner* — John A Voytek

(74) *Attorney, Agent, or Firm* — TraskBritt

(57) **CLAIM**

The ornamental design for a base for a scent warmer, as shown and described.

**DESCRIPTION**

FIG. 1 is a perspective view of a base for a scent warmer according to our new design.

FIG. 2 is a front side view of the base for a scent warmer shown in FIG. 1.

FIG. 3 is a back side view of the base for a scent warmer shown in FIG. 1.

FIG. 4 is a left side view of the base for a scent warmer shown in FIG. 1.

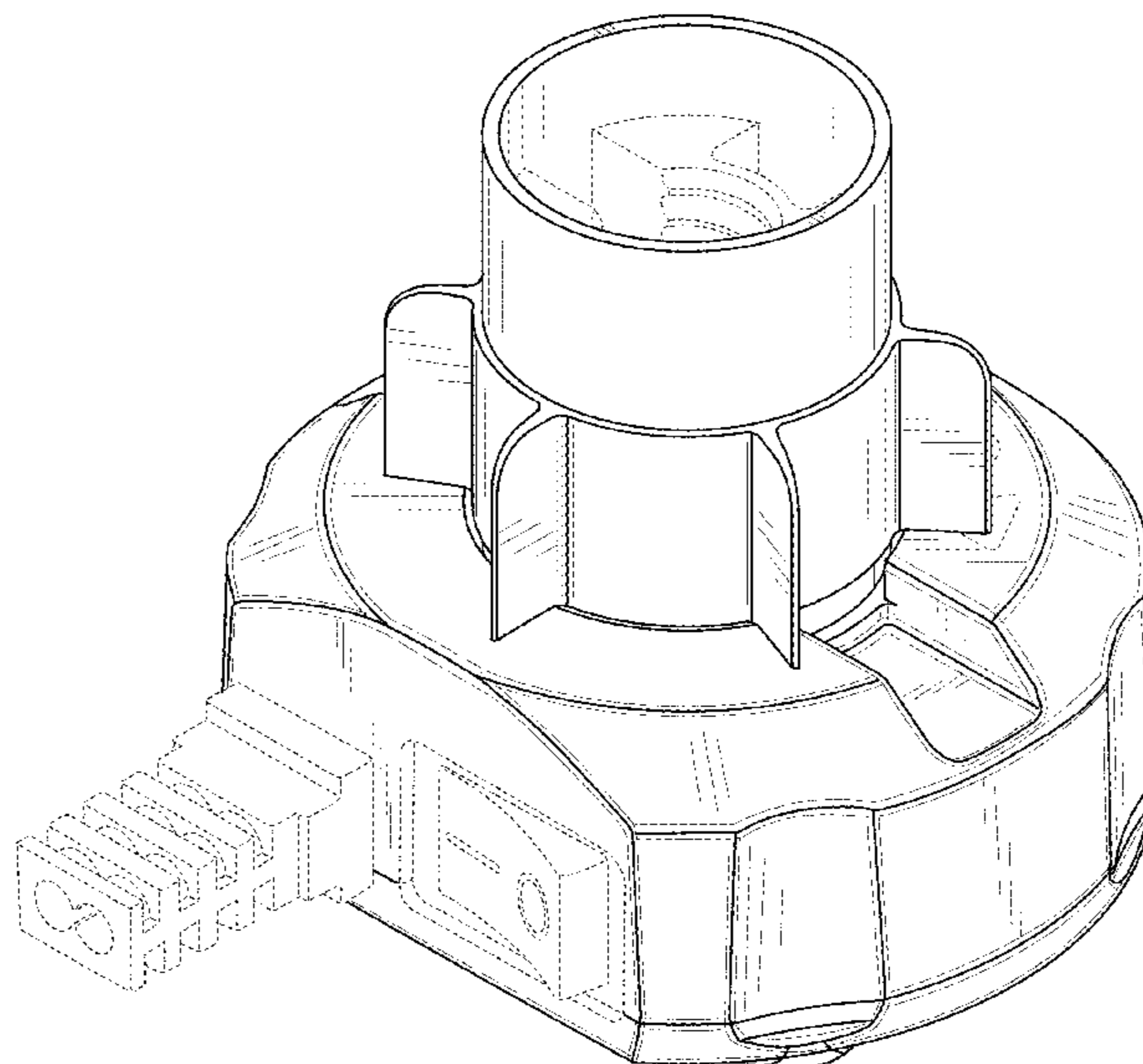
FIG. 5 is a right side view of the base for a scent warmer shown in FIG. 1.

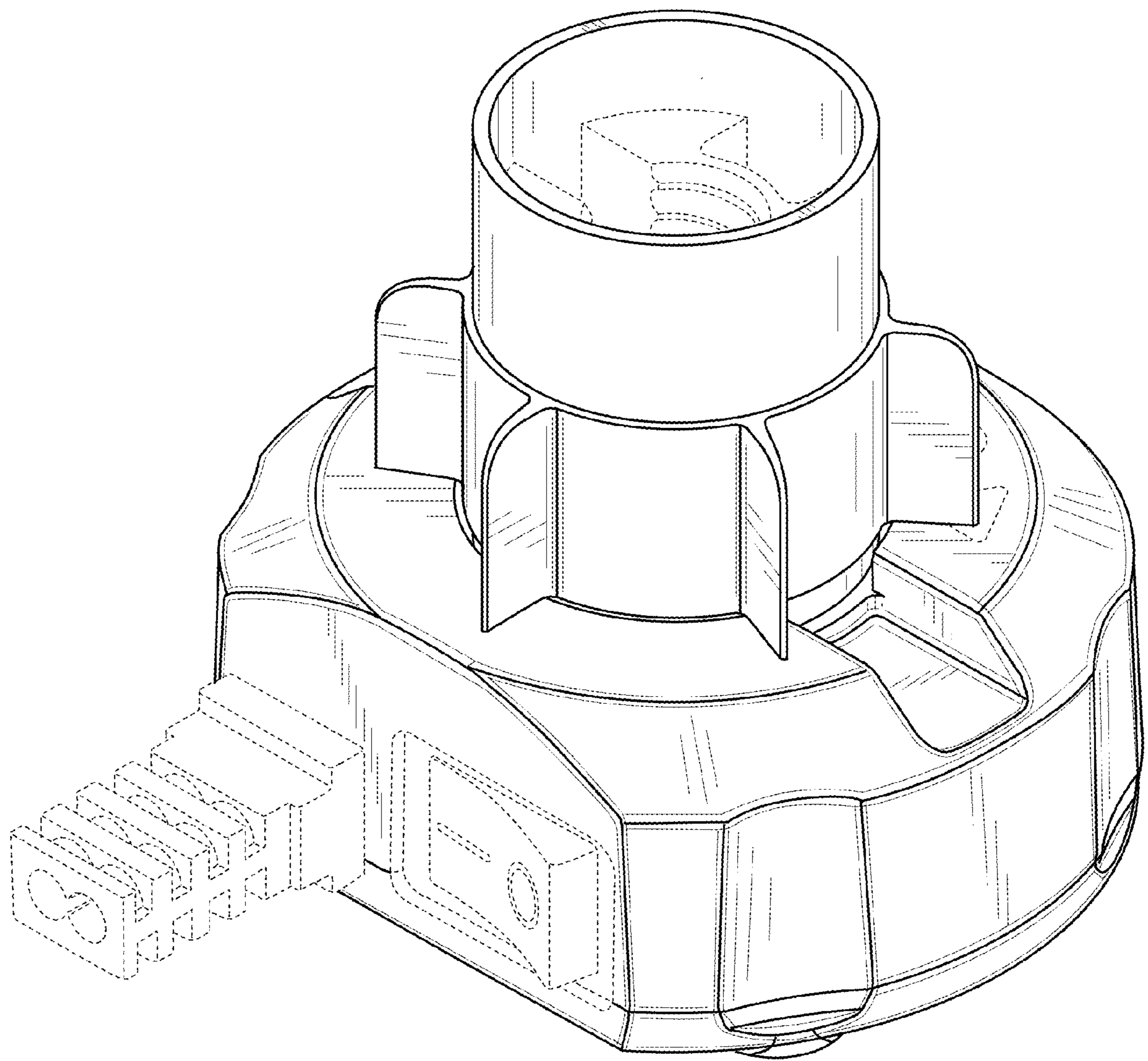
FIG. 6 is a top view of the base for a scent warmer shown in FIG. 1; and,

FIG. 7 is a bottom view of the base for a scent warmer shown in FIG. 1.

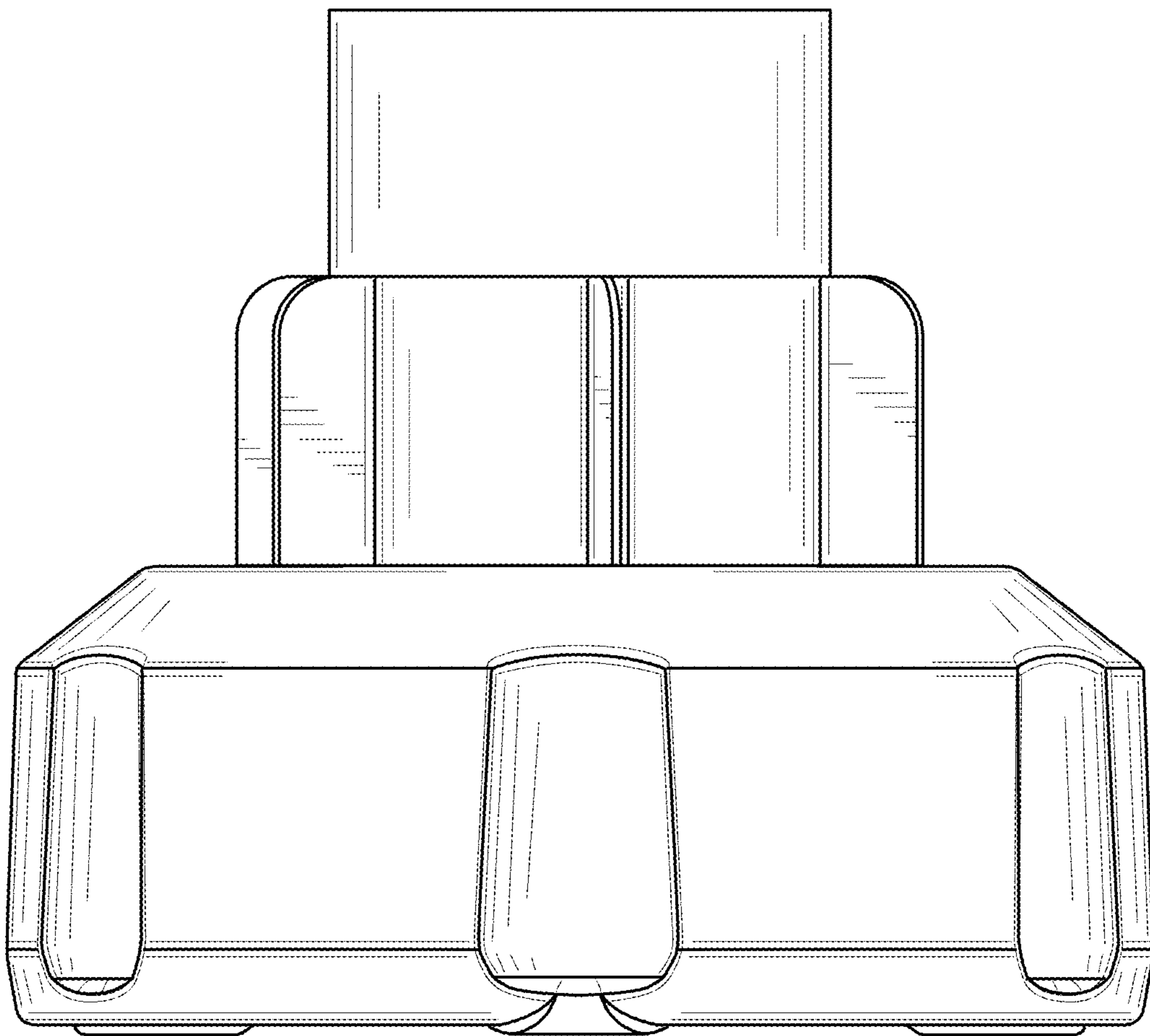
The broken lines in FIGS. 1-7 illustrate unclaimed subject matter and do not form any part of the claimed design.

**1 Claim, 7 Drawing Sheets**

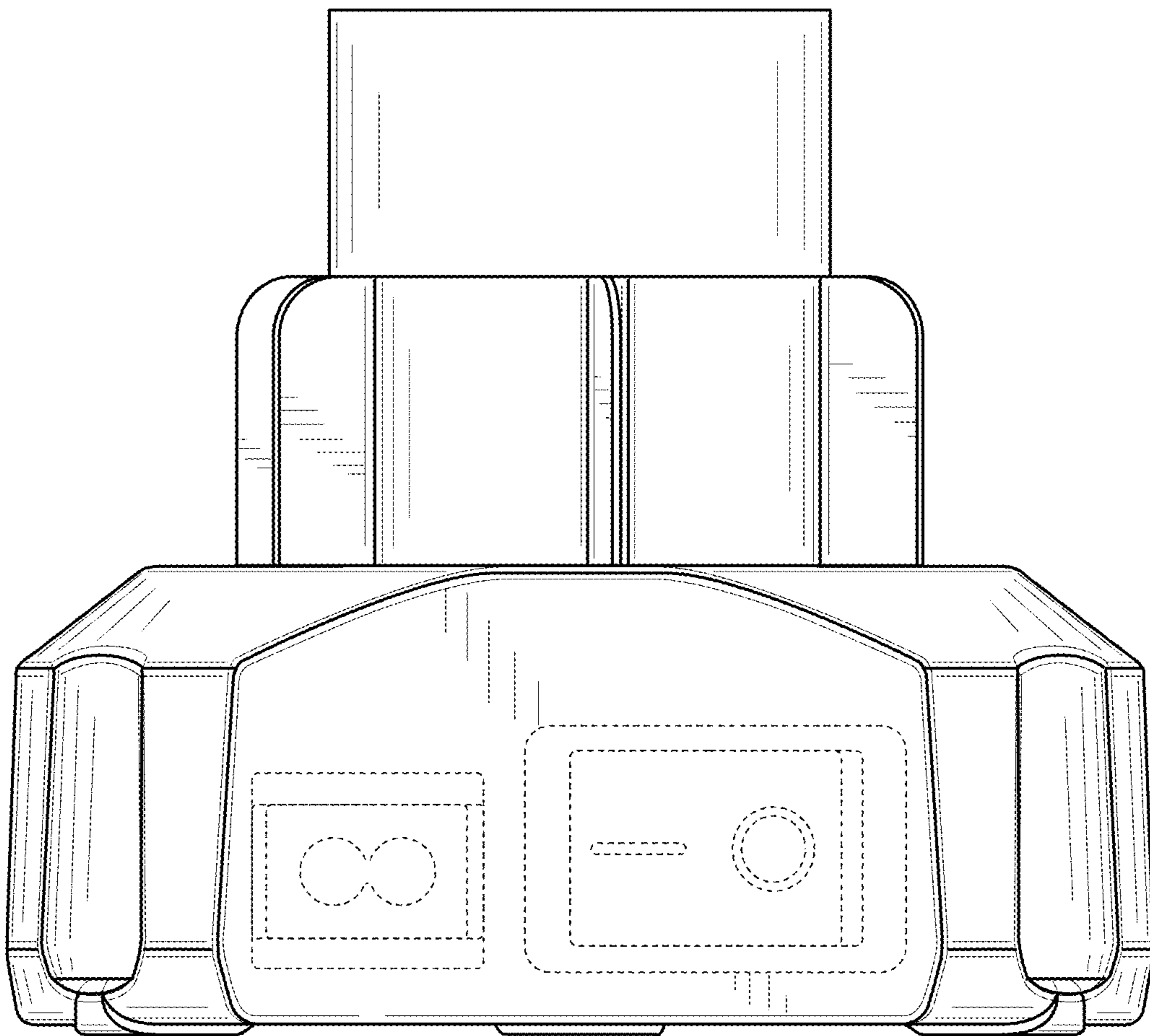




**FIG. 1**

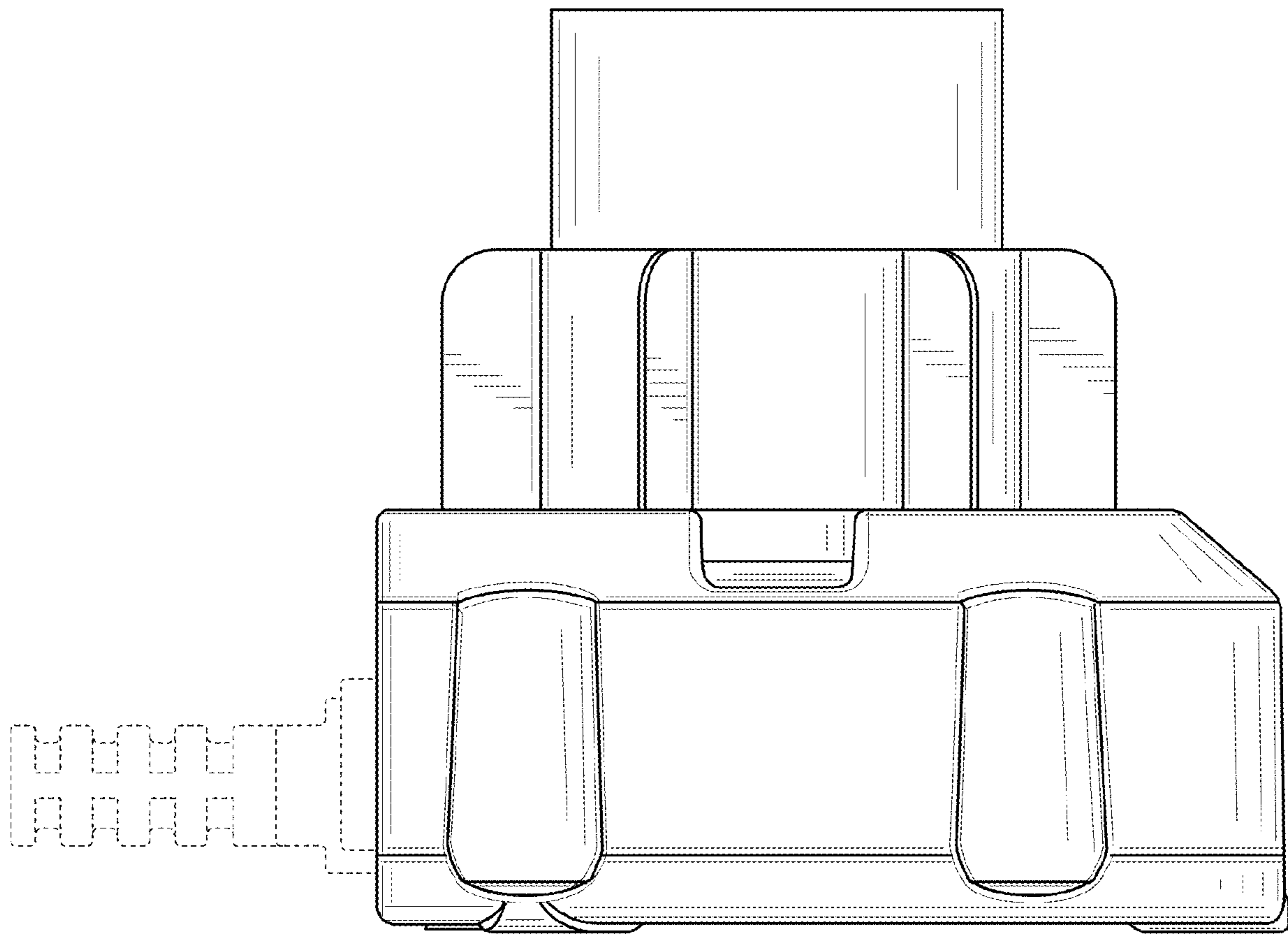


**FIG. 2**

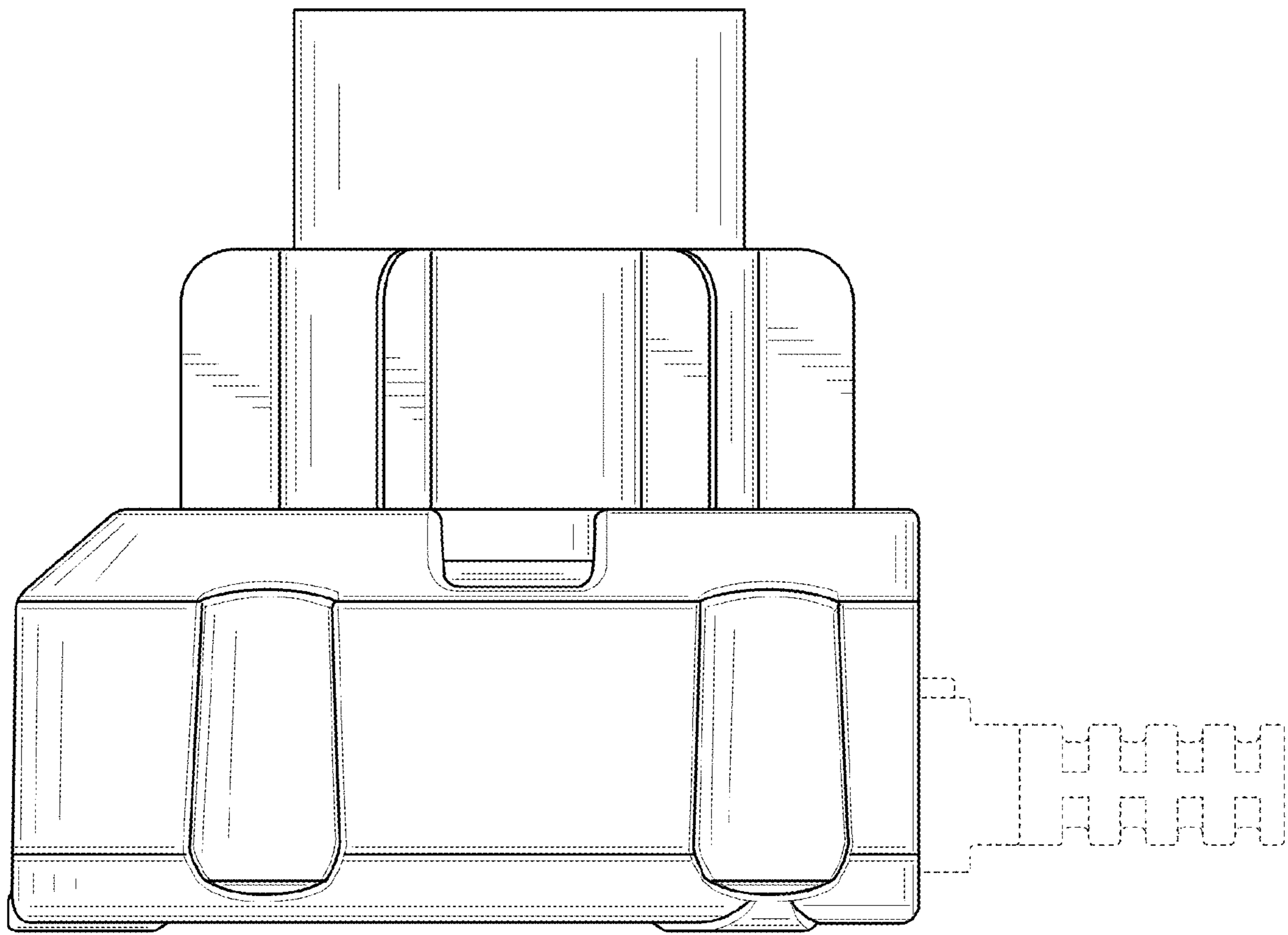


**FIG. 3**

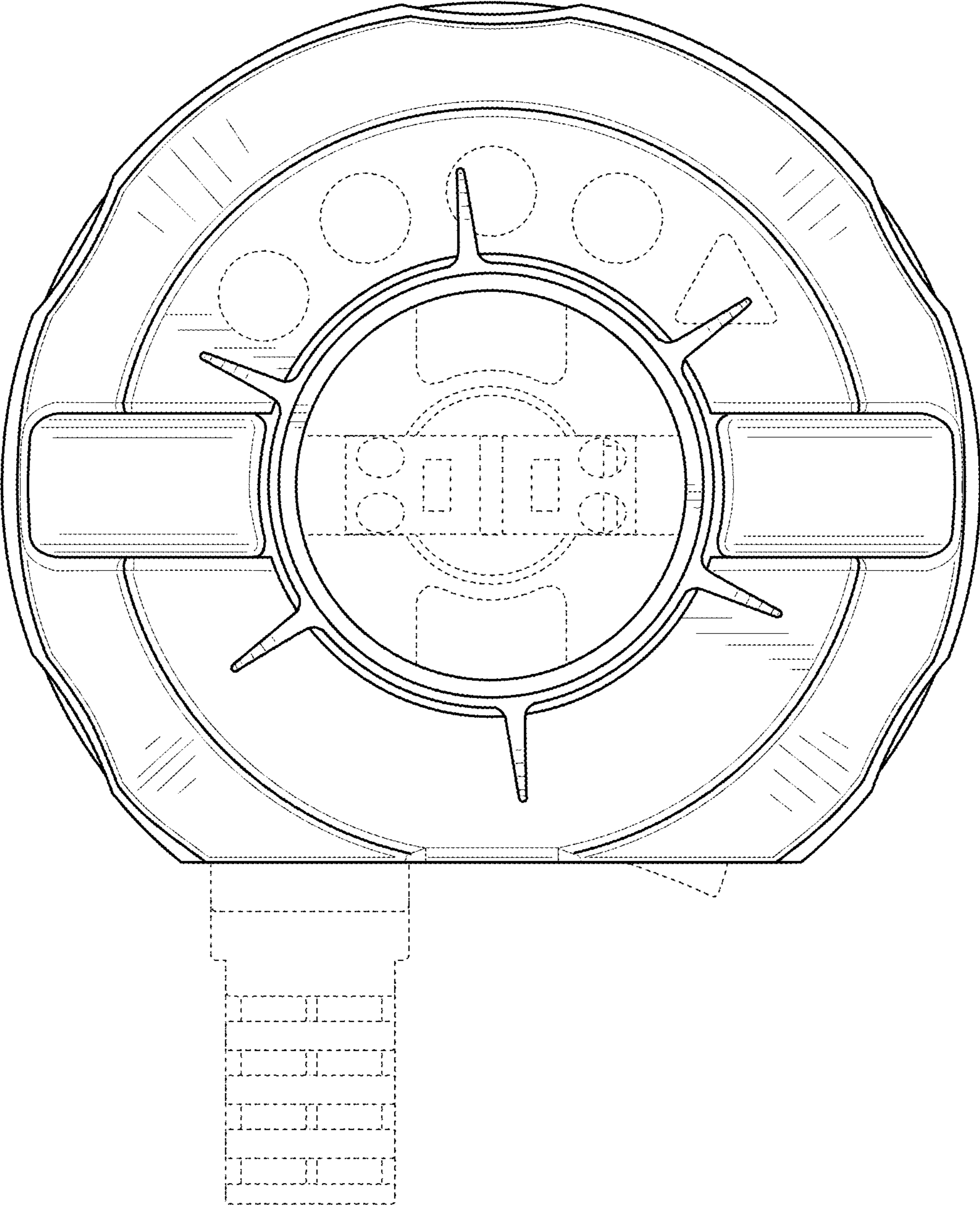




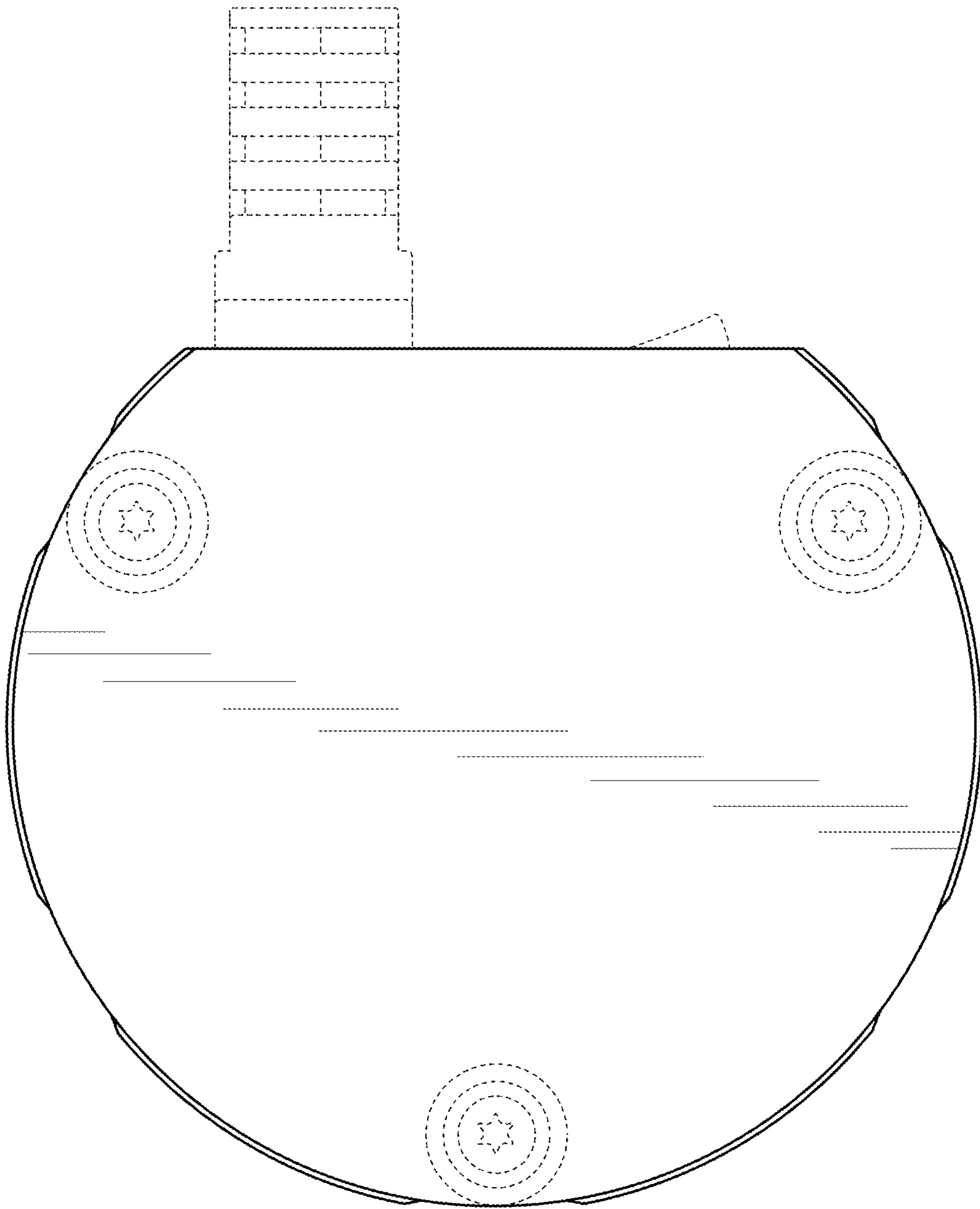
**FIG. 4**



**FIG. 5**



**FIG. 6**



**FIG. 7**