



US00D931995S

(12) **United States Design Patent**
Powal

(10) **Patent No.:** **US D931,995 S**

(45) **Date of Patent:** **** Sep. 28, 2021**

(54) **ATOMIZER**

(71) Applicant: **Ryan Powal**, Crystal Lake, IL (US)

(72) Inventor: **Ryan Powal**, Crystal Lake, IL (US)

(**) Term: **15 Years**

(21) Appl. No.: **29/713,882**

(22) Filed: **Nov. 19, 2019**

(51) **LOC (13) Cl.** **23-01**

(52) **U.S. Cl.**
USPC **D23/366**

(58) **Field of Classification Search**
USPC D23/208, 213, 359-366; D28/5-6;
D6/542; D7/510

CPC ... A61L 9/02; A61L 9/03; A61L 9/034; A61L
9/04; A61L 9/12; A61L 9/032; A61L
9/122; A61L 9/127; A61L 9/22; B05B
7/2467; B05B 7/2429; B05B 7/0075;
A01M 7/0007; A01G 20/47

See application file for complete search history.

(56) **References Cited**

U.S. PATENT DOCUMENTS

D453,039 S *	1/2002	Lobermeier	D23/213
D492,004 S *	6/2004	Haug	D23/213
D495,778 S *	9/2004	Jorgensen	D23/213
D503,463 S *	3/2005	Hughes	D23/213
D558,303 S *	12/2007	Williams	D23/229
D612,008 S *	3/2010	Schoenherr	D23/213
D777,007 S *	1/2017	Park	D8/107
D787,325 S *	5/2017	Young	D9/448
D863,363 S *	10/2019	Exley	D15/7
D896,345 S *	9/2020	Shin	D23/213
D920,492 S *	5/2021	Alexander	D23/366
2009/0108091 A1 *	4/2009	Steffen	B05B 7/2467 239/11
2011/0272487 A1 *	11/2011	Reynolds	B05B 7/2475 239/152

(Continued)

OTHER PUBLICATIONS

Agriculture Atomizer nozzle, May 24, 2021, Amazon.com, May 28, 2021 .URL: <https://www.amazon.com/Agriculture-Atomizer-Sprinklers-Irrigation-Tool-Supplies/dp/B095PRP4JQ> (Year: 2021).*

(Continued)

Primary Examiner — Jack Reickel

Assistant Examiner — Keith J Wilson

(74) *Attorney, Agent, or Firm* — William Gray Mitchell

(57) **CLAIM**

I claim the ornamental design for an atomizer, as shown in the figures submitted herewith.

DESCRIPTION

FIG. 1 is a line drawing evidencing a top front perspective view of the design;

FIG. 2 is a line drawing evidencing a lower rear perspective view of the design;

FIG. 3 is a line drawing evidencing a top view of the design;

FIG. 4 is a line drawing evidencing a bottom view of the design;

FIG. 5 is a line drawing evidencing a left side view of the design;

FIG. 6 is a line drawing evidencing a right side view of the design;

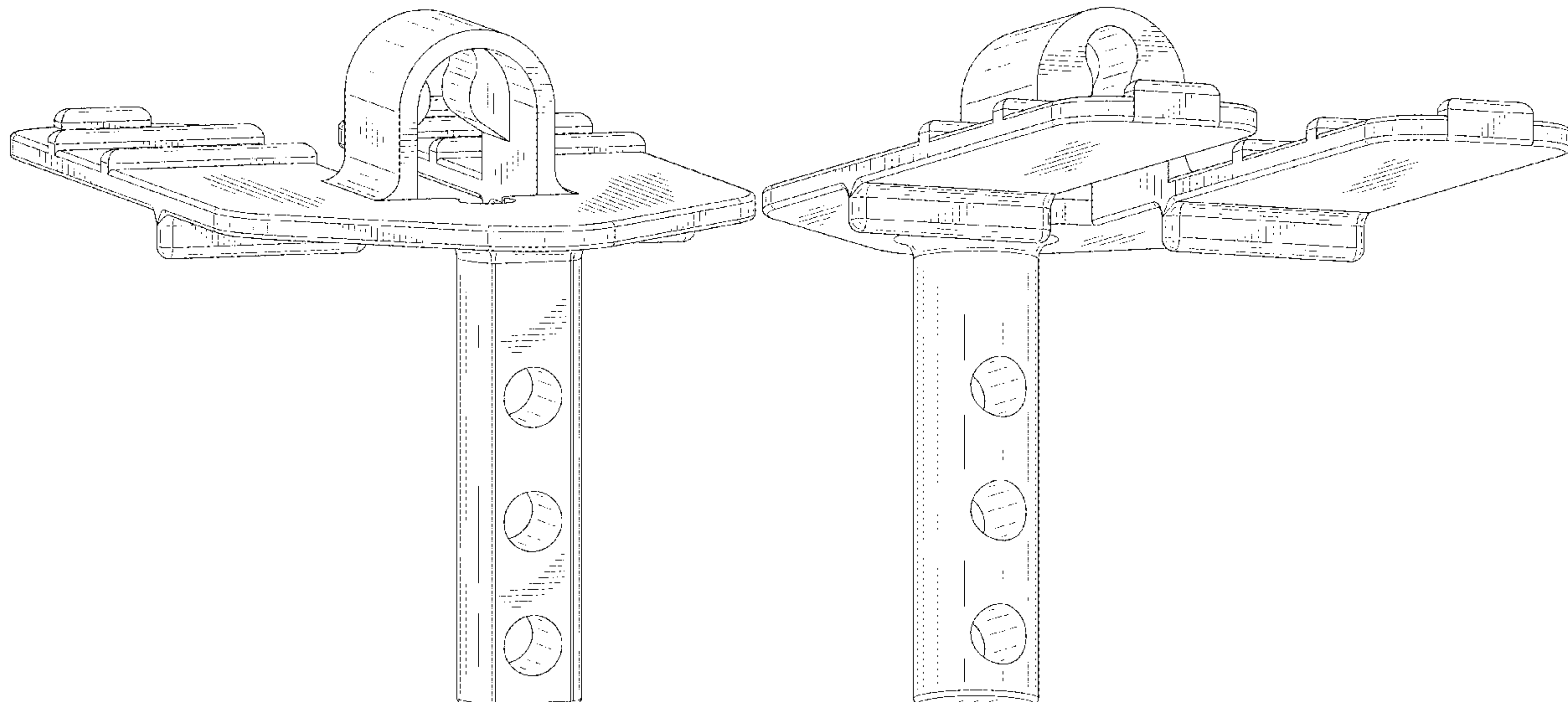
FIG. 7 is a line drawing evidencing a front view of the design;

FIG. 8 is a line drawing evidencing a back view of the design; and,

FIG. 9 is a line drawing evidencing a top perspective view of the design overlaying a leaf blower in use.

The broken lines in FIGS. 3 & 5 represent portions of an atomizer and form no part of the claimed design. The broken lines of FIG. 7 represent environment only and form no part of the claimed design.

1 Claim, 8 Drawing Sheets



(56)

References Cited

U.S. PATENT DOCUMENTS

2020/0154691 A1* 5/2020 Powal B05B 7/2467
2020/0296893 A1* 9/2020 Bohrer A01D 43/00
2021/0146409 A1* 5/2021 Fomine A61L 9/122

OTHER PUBLICATIONS

Mosquito Sniper System, Aug. 8, 2020, mosquitosnipersystem.com,
Jun. 2, 2021. URL: <https://mosquitosnipersystem.com/step-2-order-m-s-system-1/ols/products/system-1> (Year: 2020).*

* cited by examiner

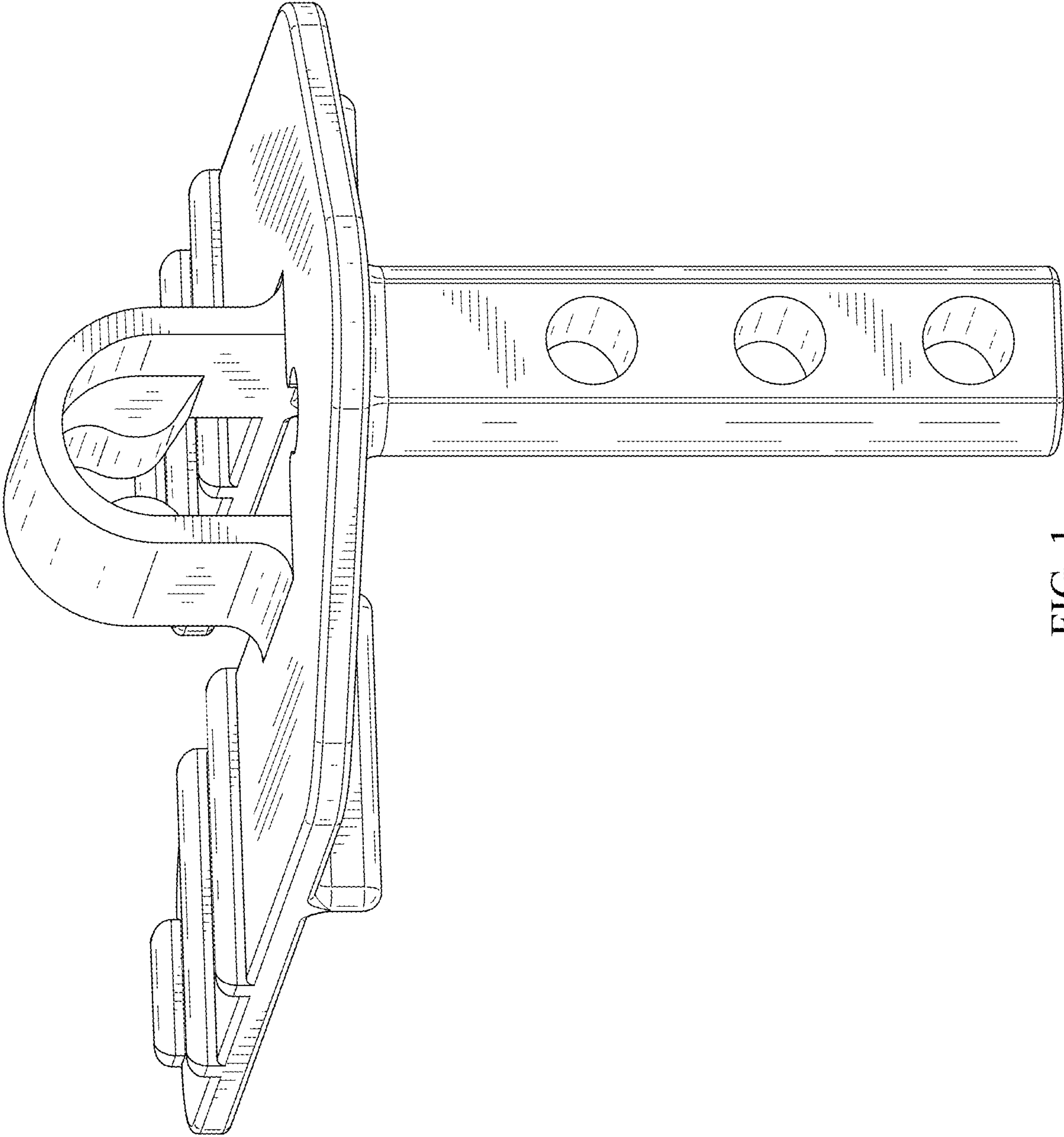


FIG. 1

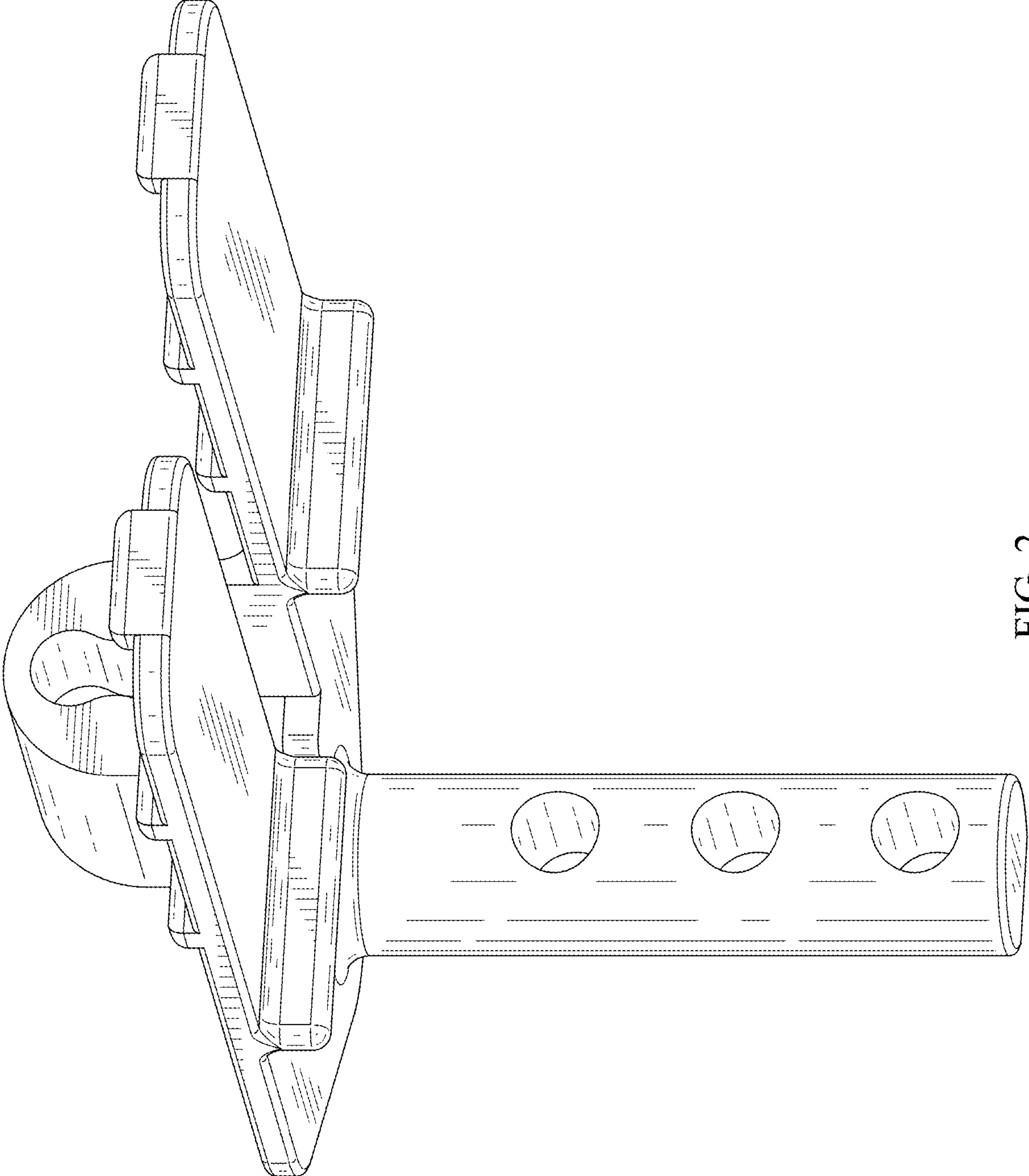


FIG. 2

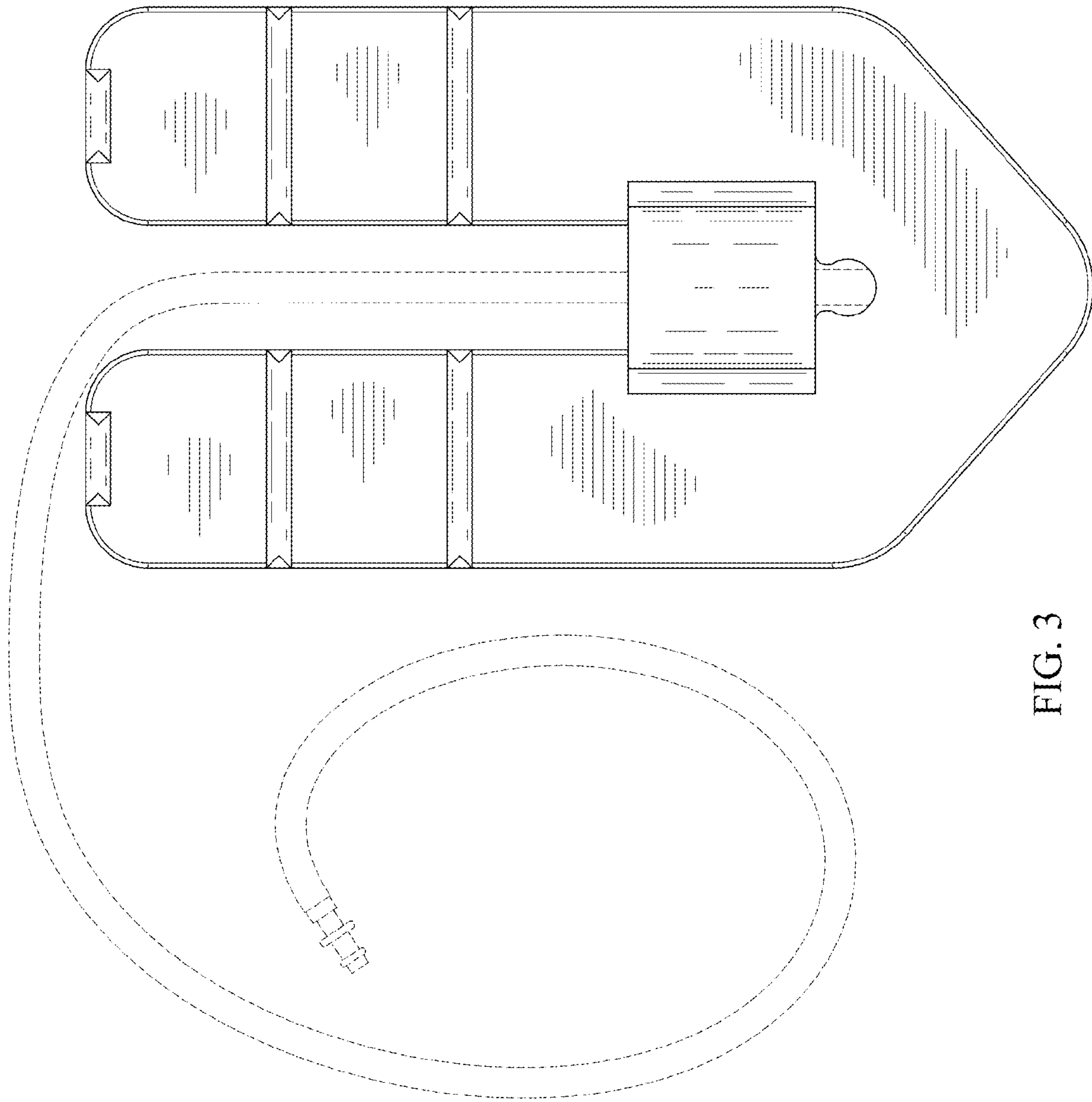


FIG. 3

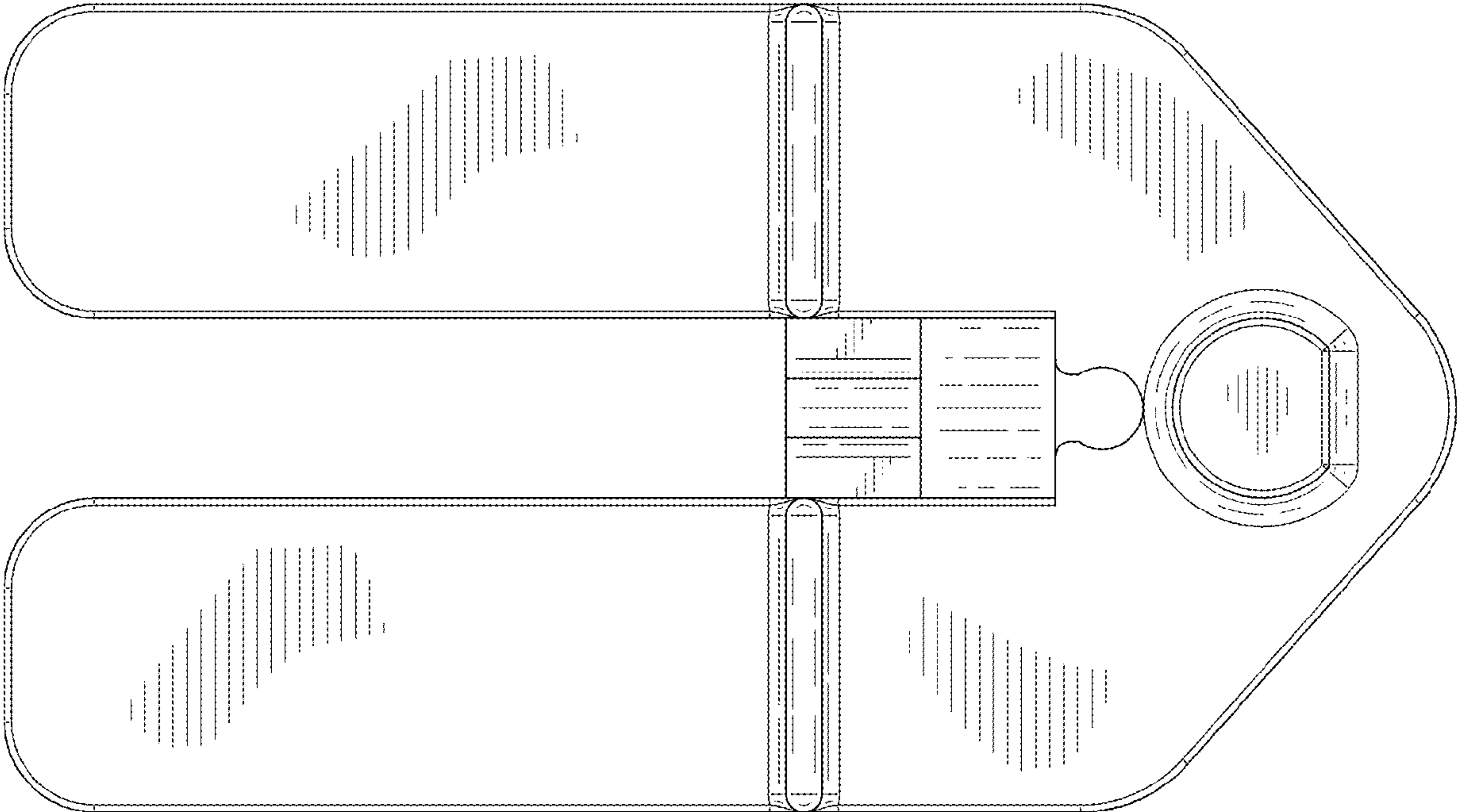


FIG. 4

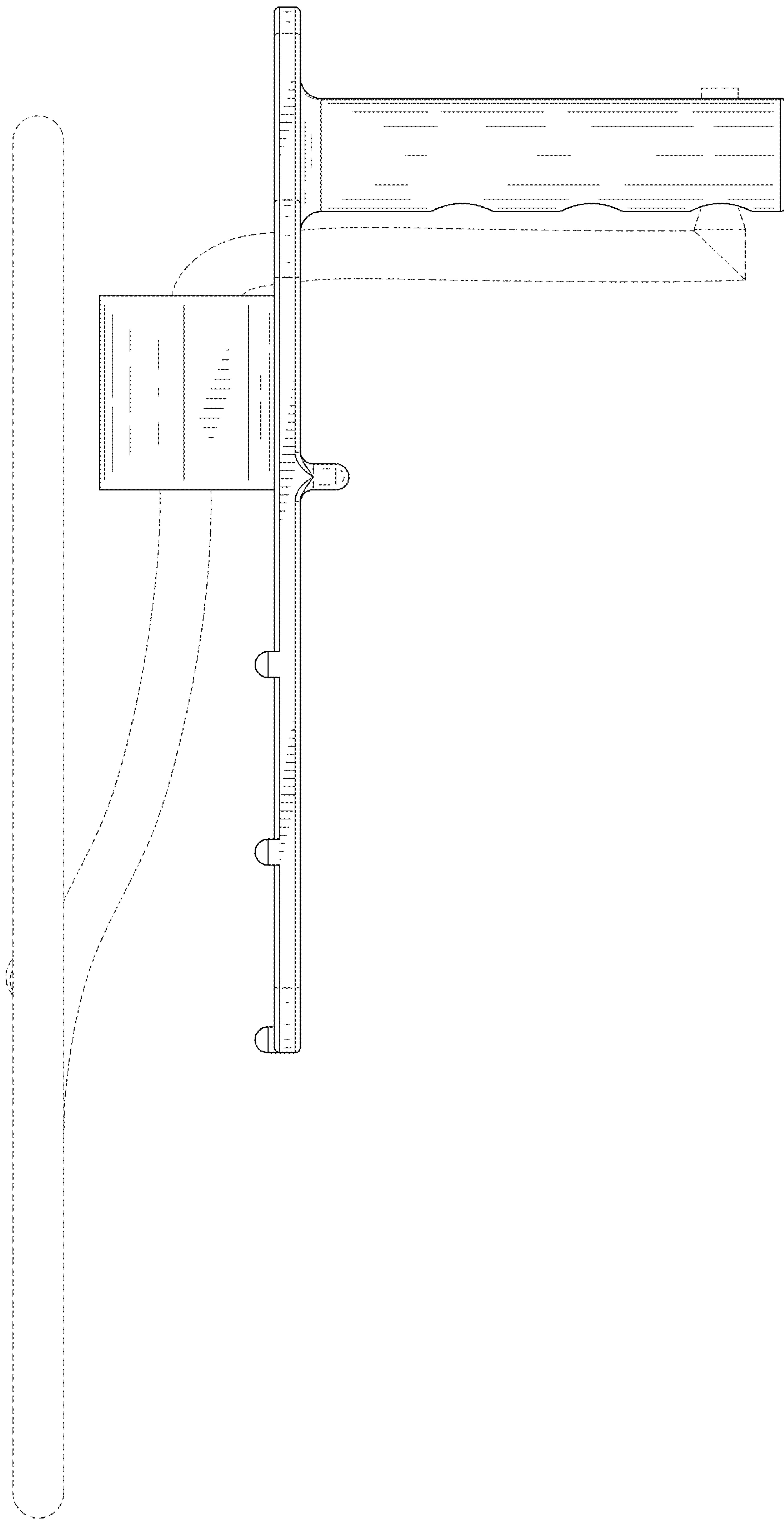


FIG. 5

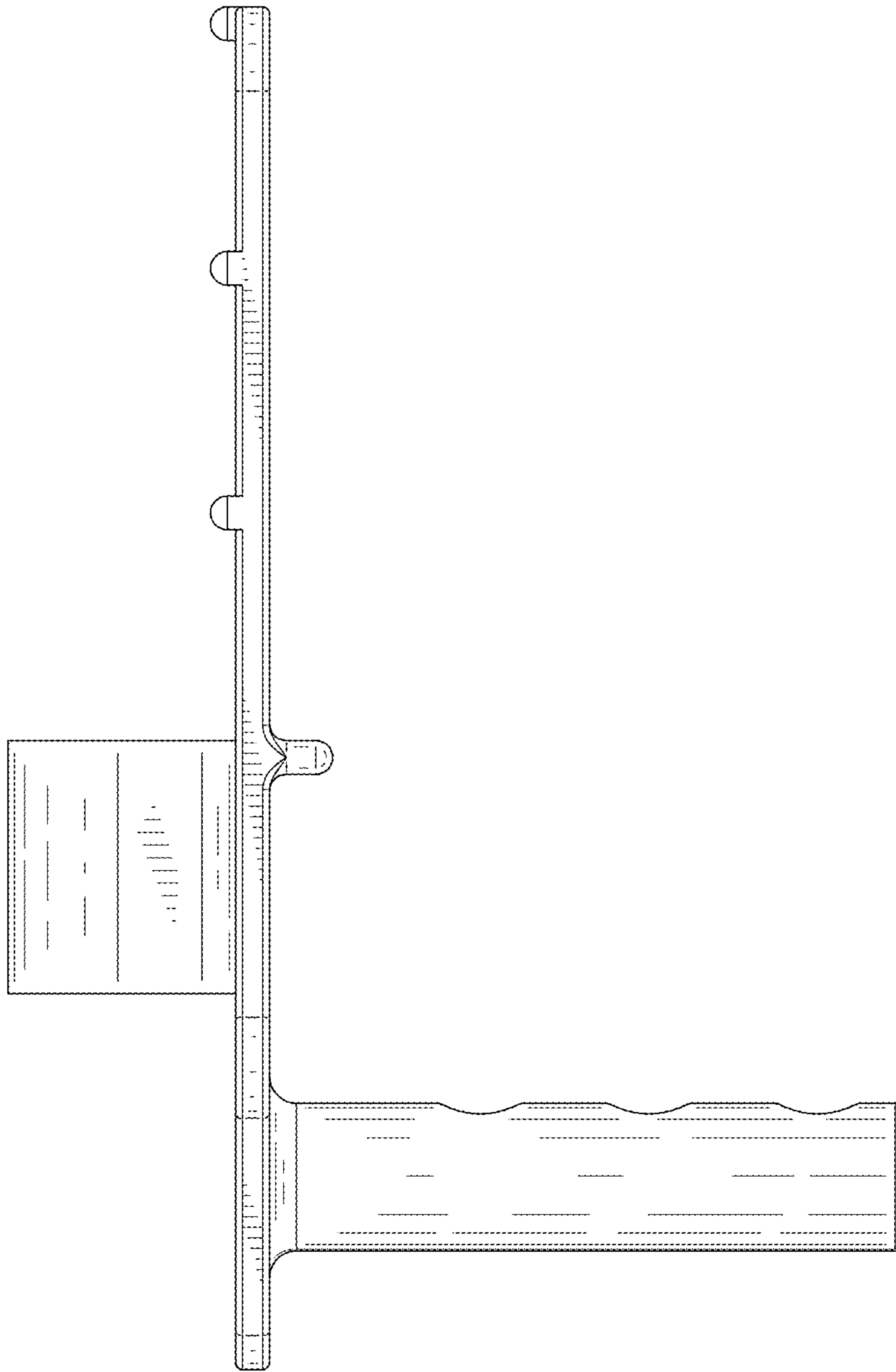


FIG. 6

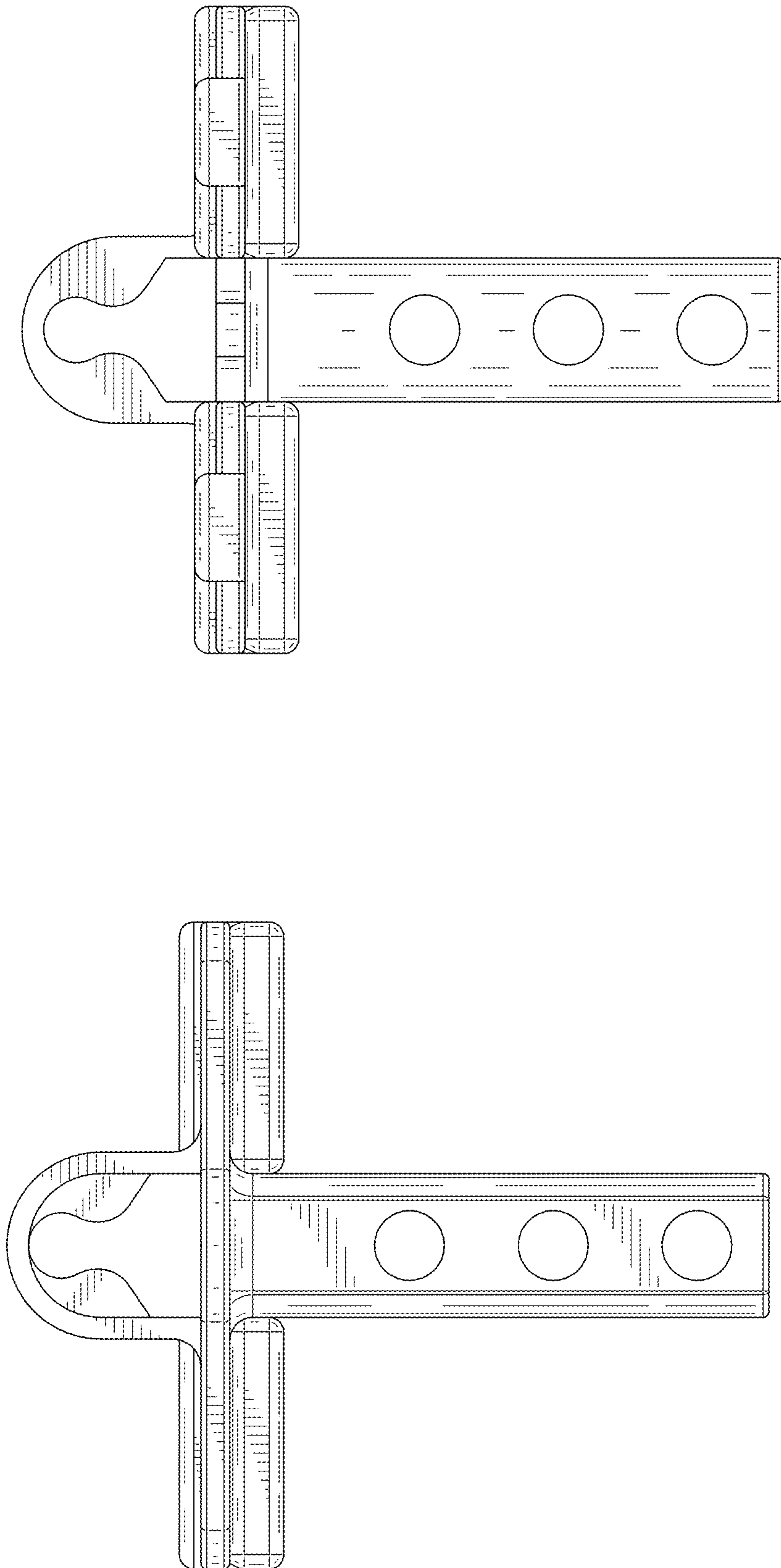


FIG. 8

FIG. 7

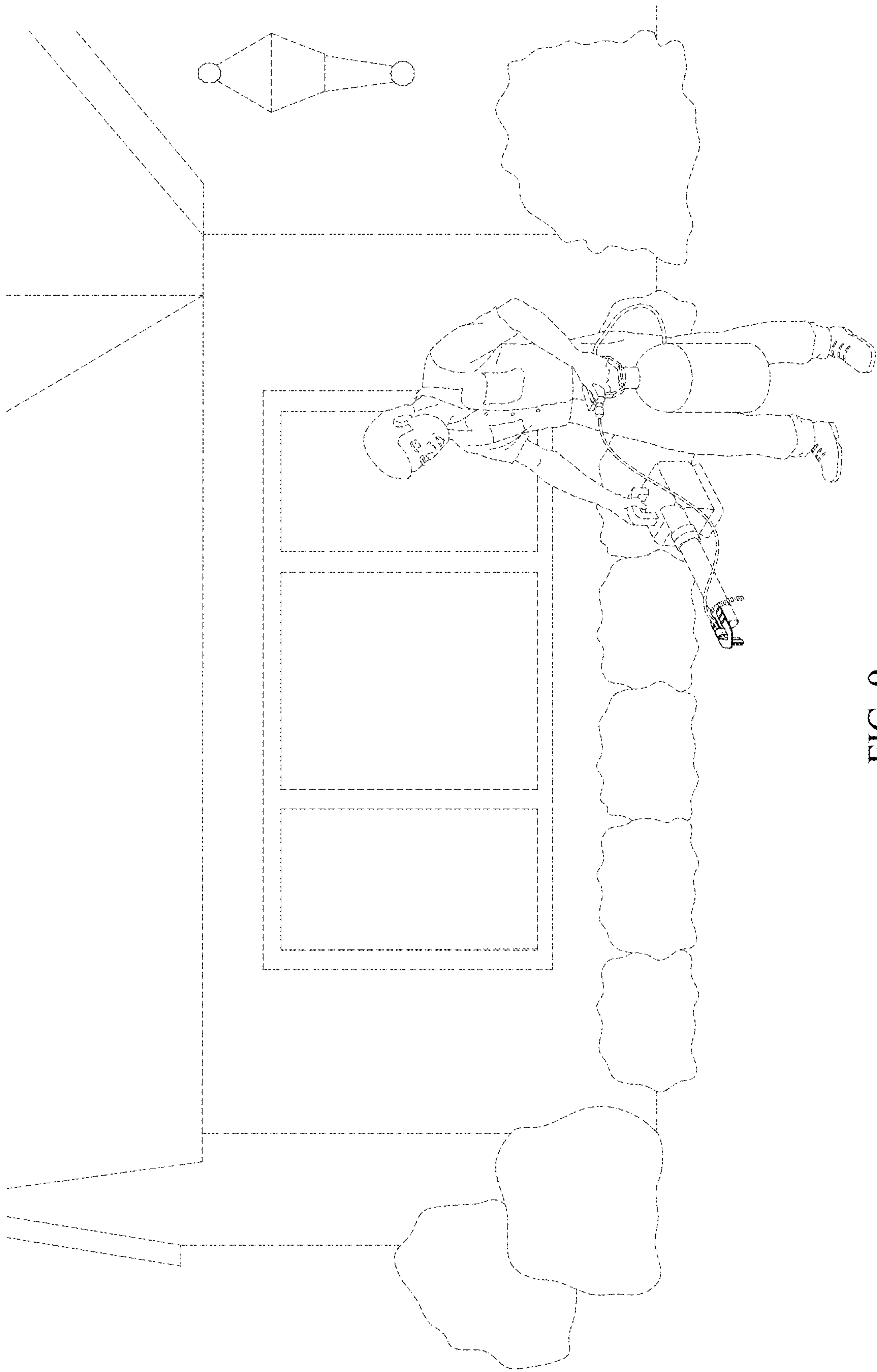


FIG. 9