



US00D931994S

(12) **United States Design Patent**
Wano et al.

(10) **Patent No.:** **US D931,994 S**
(45) **Date of Patent:** **** Sep. 28, 2021**

(54) **TOILET TANK**

(71) Applicant: **TOTO, Ltd.**, Kitakyushu (JP)

(72) Inventors: **Masanobu Wano**, Kitakyushu (JP);
Tomohiro Miyazaki, Kitakyushu (JP)

(73) Assignee: **TOTO Ltd.**, Kitakyushu (JP)

(**) Term: **15 Years**

(21) Appl. No.: **29/729,245**

(22) Filed: **Mar. 25, 2020**

(30) **Foreign Application Priority Data**

Mar. 10, 2020 (JP) 2020-004711 D

(51) **LOC (13) Cl.** **23-02**

(52) **U.S. Cl.**
USPC **D23/313**

(58) **Field of Classification Search**
USPC D23/295, 301, 309, 313
See application file for complete search history.

(56) **References Cited**

U.S. PATENT DOCUMENTS

D585,128 S * 1/2009 Slothower D23/313
D608,430 S * 1/2010 Slothower D23/313

D637,703 S * 5/2011 Corpuz D23/313
D662,575 S * 6/2012 Corpuz, Jr. D23/313
D678,490 S * 3/2013 Corpuz, Jr. D23/313
D751,183 S * 3/2016 McNinch D23/313
D893,002 S * 8/2020 Goad D23/313

* cited by examiner

Primary Examiner — Robert A Delehanty

(74) *Attorney, Agent, or Firm* — Banner & Witcoff, Ltd.

(57) **CLAIM**

The ornamental design for a toilet tank, as shown and described.

DESCRIPTION

FIG. 1 is a perspective view of a toilet tank showing our new design;

FIG. 2 is a front view thereof;

FIG. 3 is a rear view thereof;

FIG. 4 is a left side view thereof;

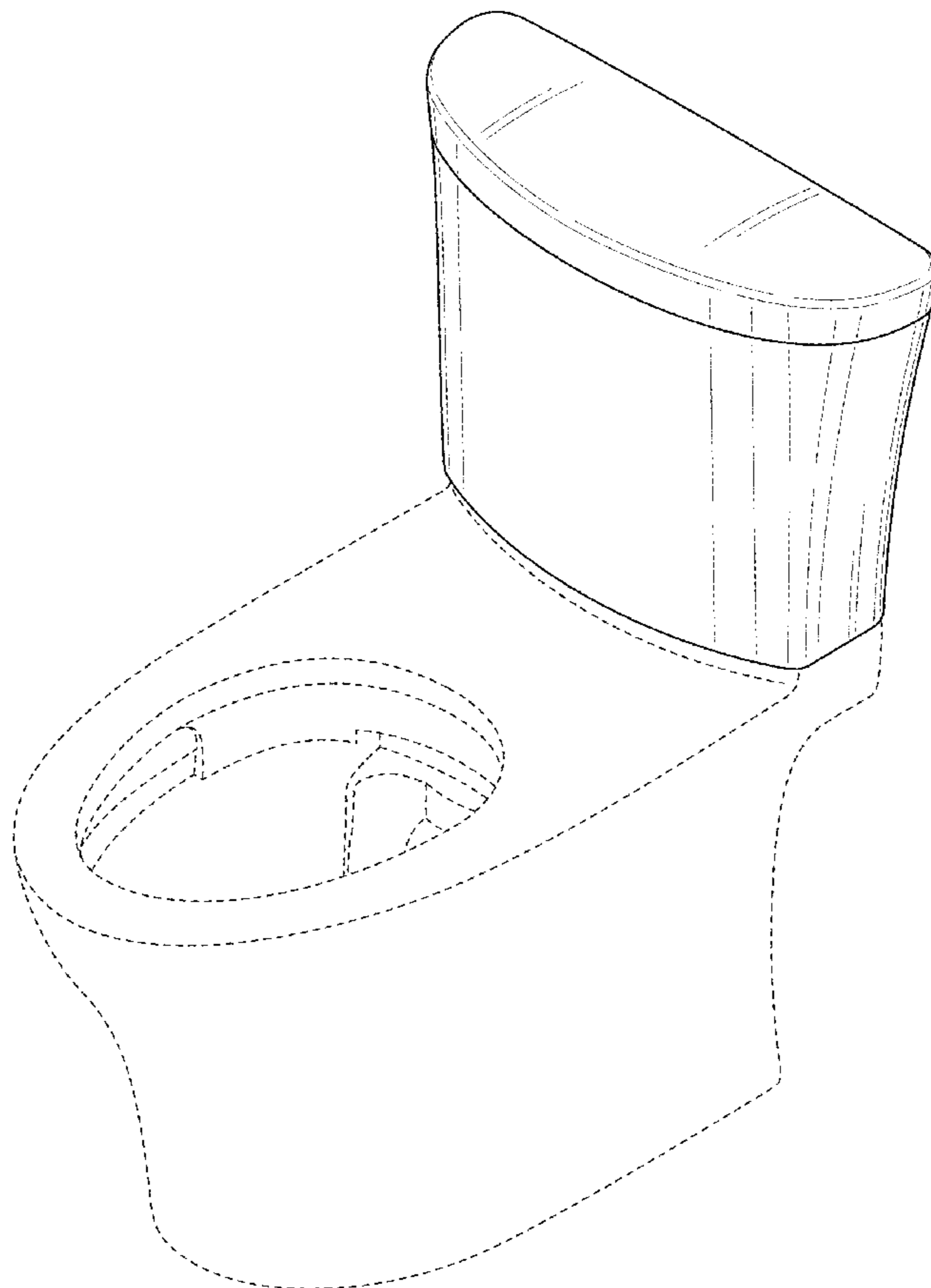
FIG. 5 is a right side view thereof;

FIG. 6 is a top view thereof; and,

FIG. 7 is a bottom view thereof.

The broken lines in the figures are included for the purpose of illustrating portions of the toilet tank that form no part of the claimed design.

1 Claim, 7 Drawing Sheets



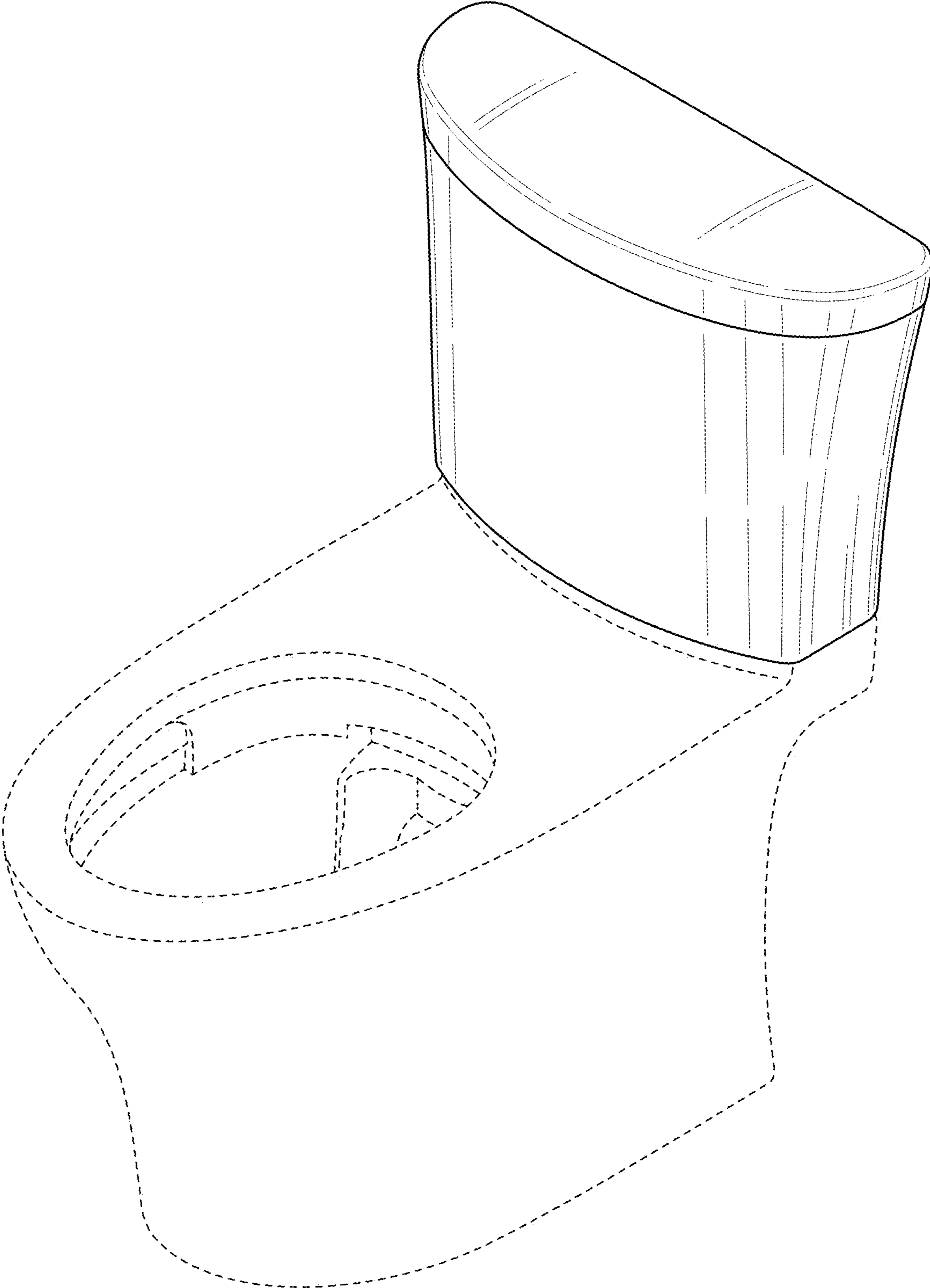


FIG. 1

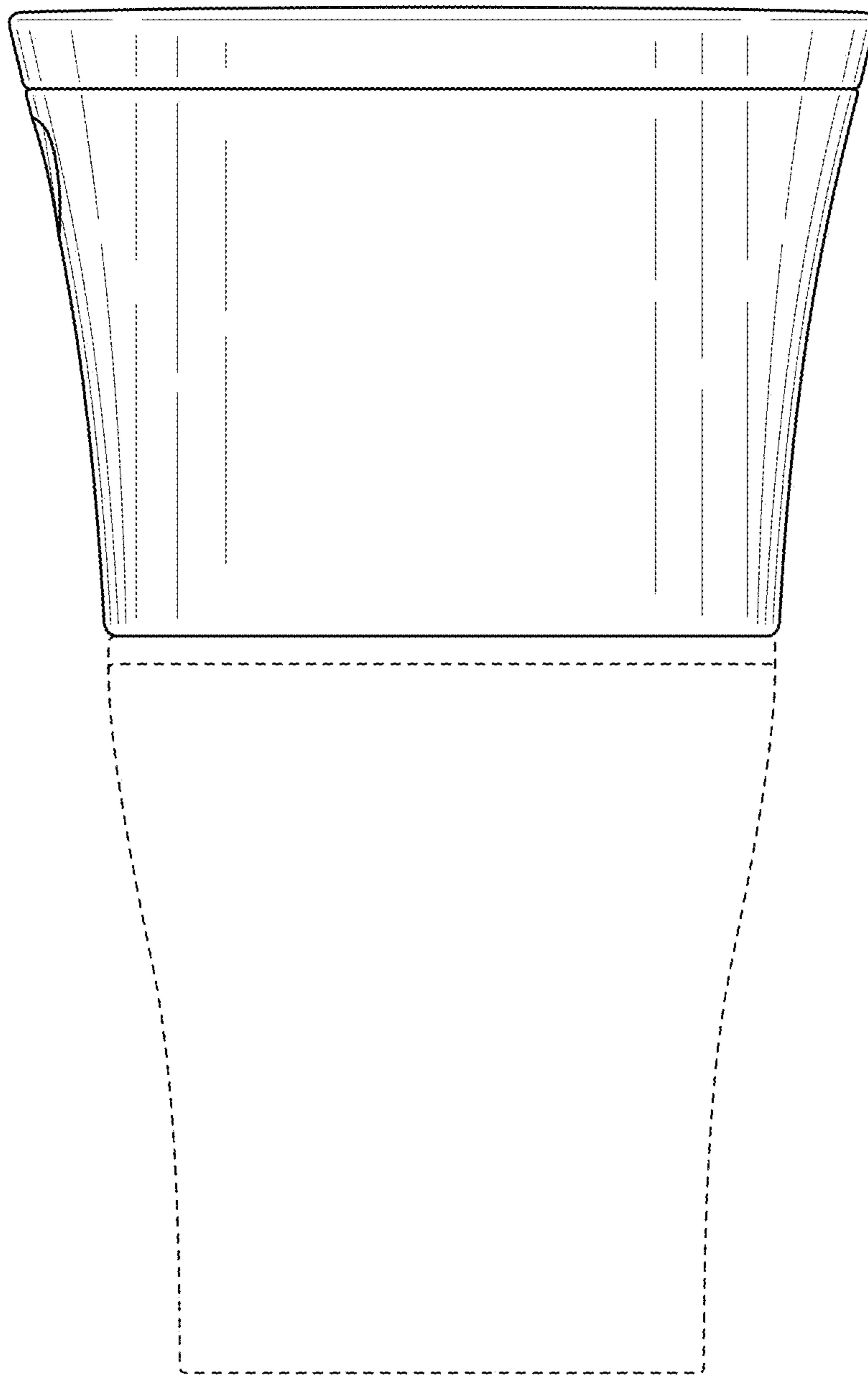


FIG. 2

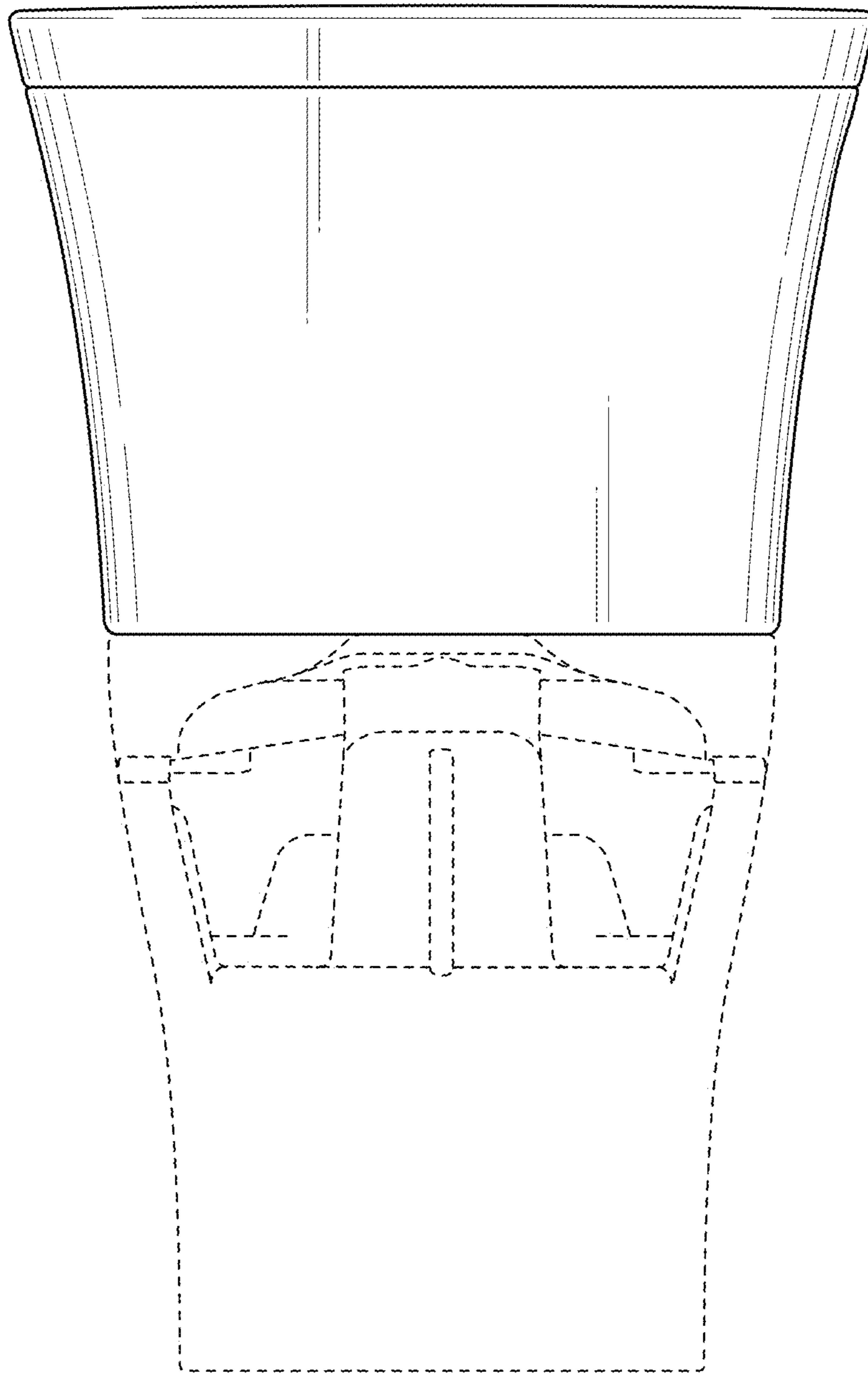


FIG. 3

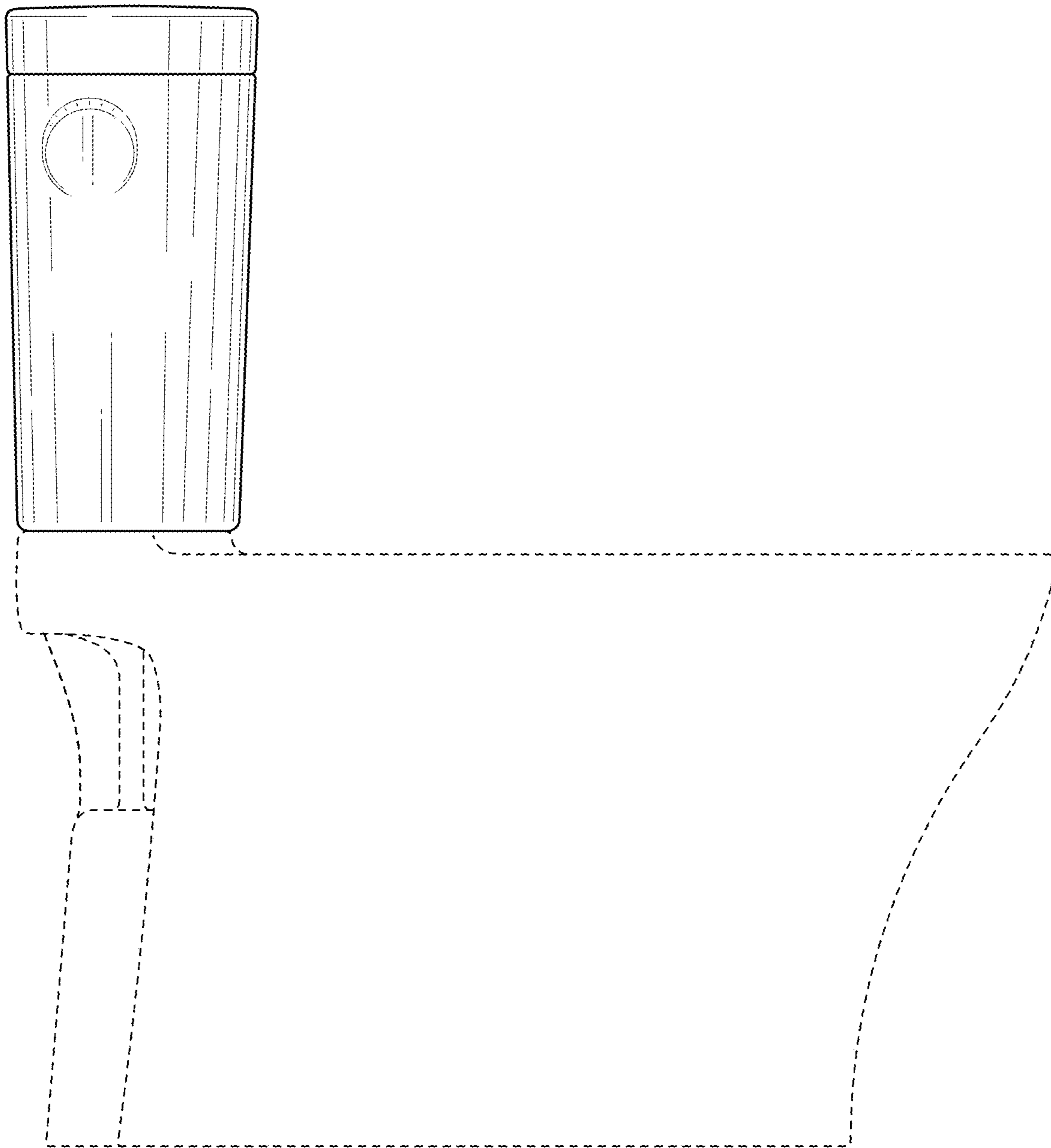


FIG. 4

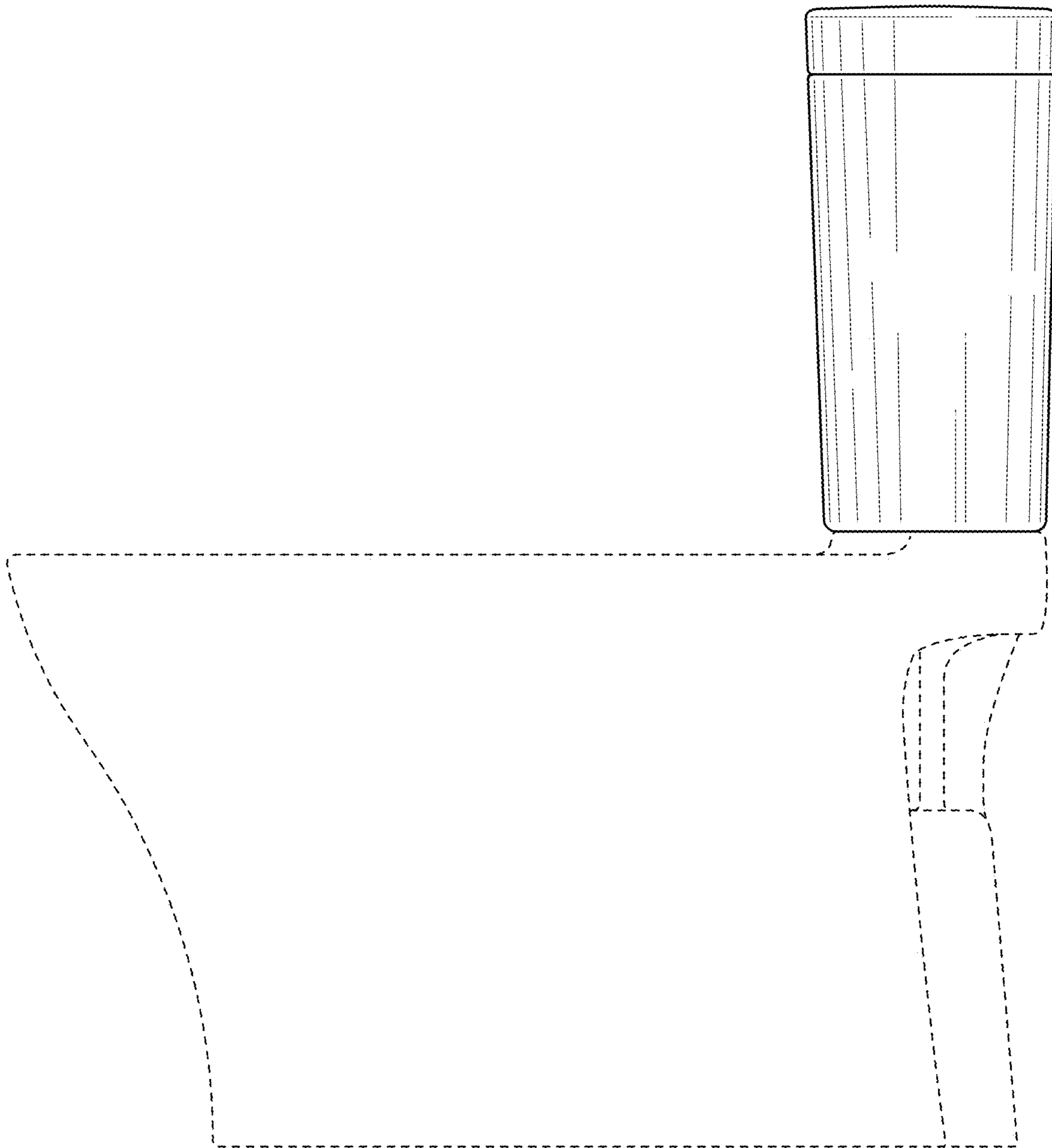


FIG. 5

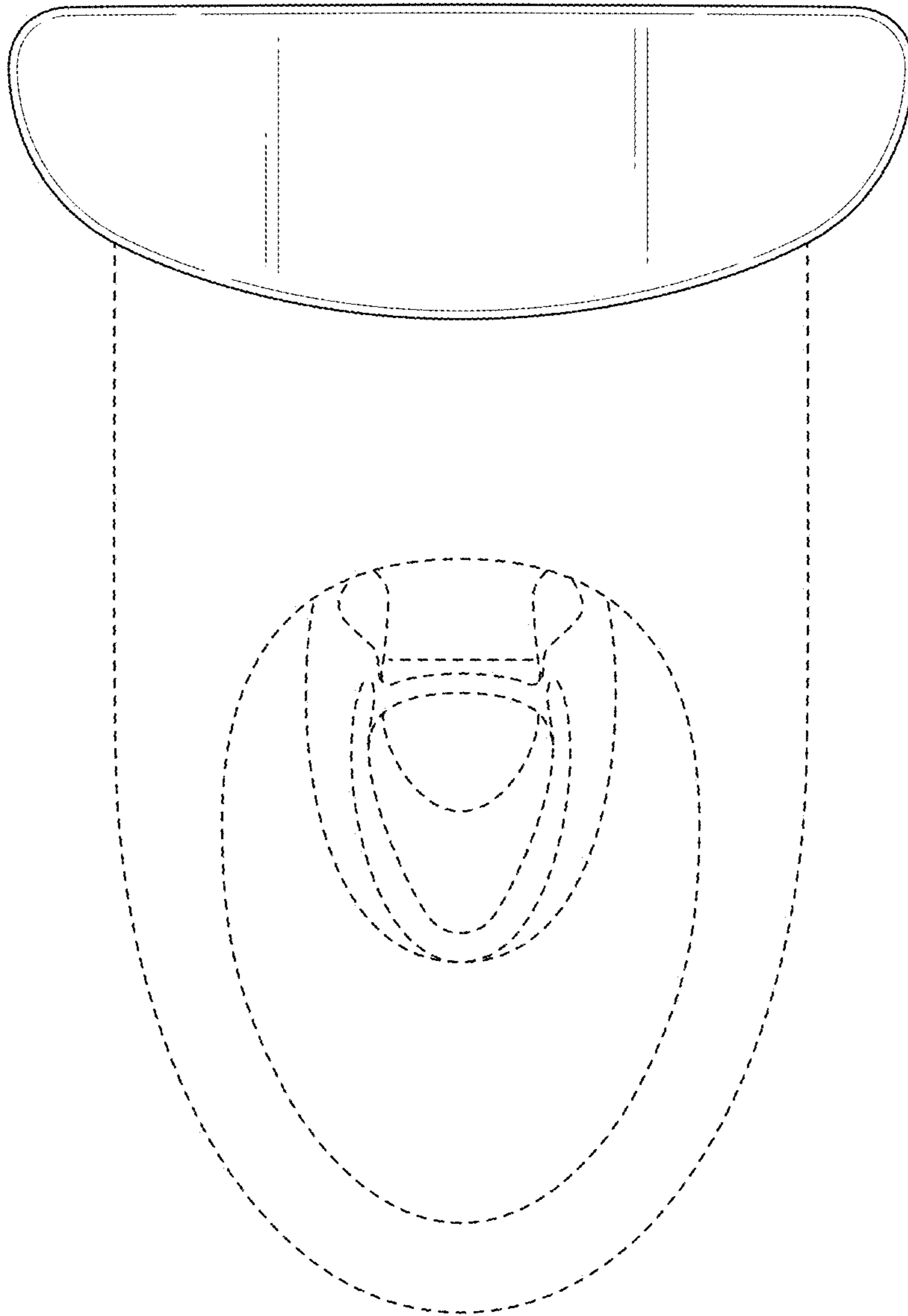


FIG. 6

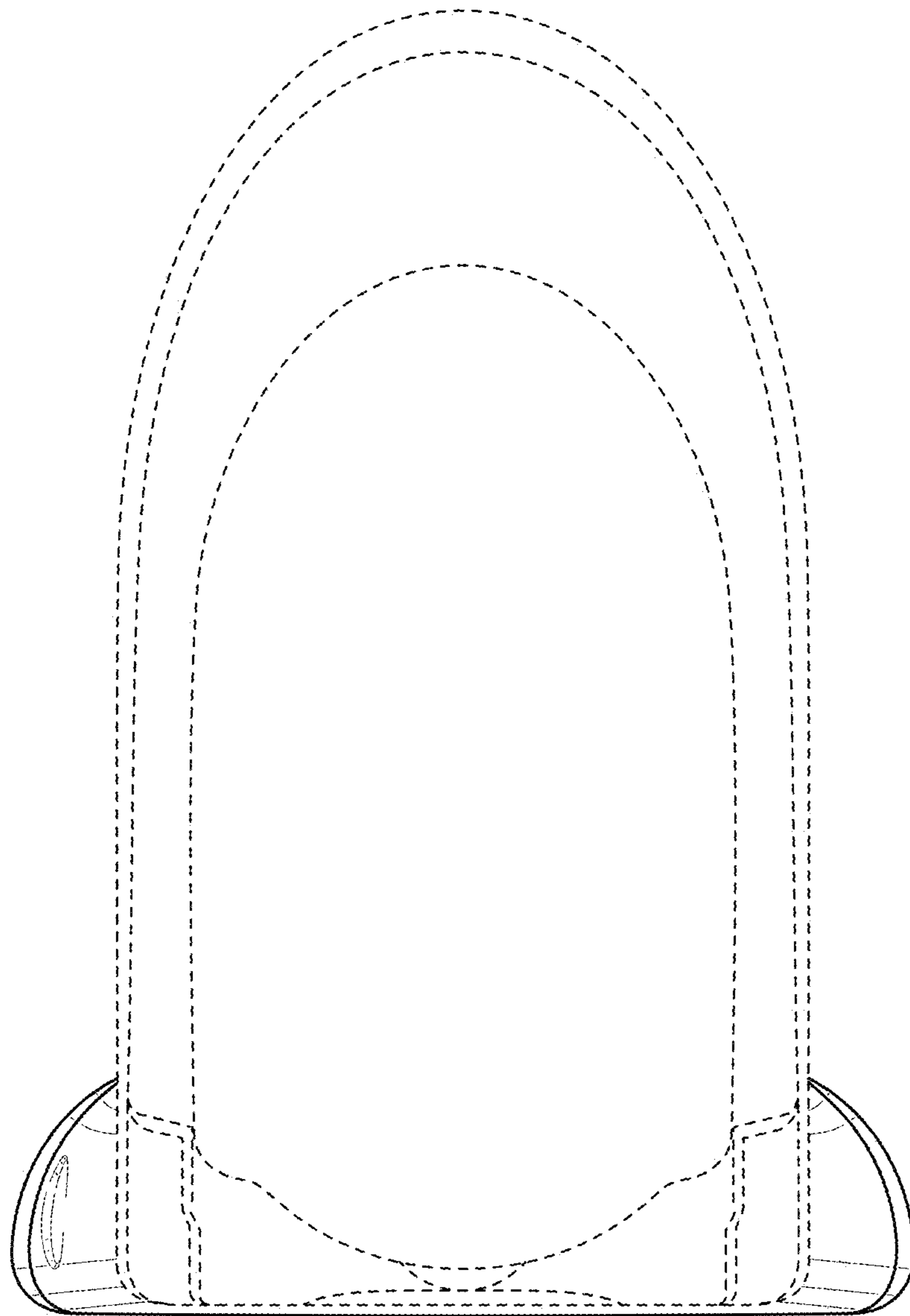


FIG. 7