



US00D931993S

(12) **United States Design Patent** (10) **Patent No.:** **US D931,993 S**
Bucher (45) **Date of Patent:** **** Sep. 28, 2021**

- (54) **SHOWER BASE**
- (71) Applicant: **AS America, Inc.**, Piscataway, NJ (US)
- (72) Inventor: **Christophe Bucher**, Hillsborough, NJ (US)
- (73) Assignee: **AS America, Inc.**, Piscataway, NJ (US)
- (**) Term: **15 Years**
- (21) Appl. No.: **29/703,807**
- (22) Filed: **Aug. 29, 2019**

- D612,027 S 3/2010 Hisey
 - D612,180 S 3/2010 Mayer
 - D613,839 S 4/2010 Hisey
 - 7,739,757 B2 6/2010 Witt
 - 8,474,068 B2 7/2013 Kik, Sr. et al.
- (Continued)

FOREIGN PATENT DOCUMENTS

- CA 2514275 A1 * 2/2006 A47K 3/40
 - CA 2514275 A1 2/2006
- (Continued)

OTHER PUBLICATIONS

Amazon, ANZZI Single Threshold Shower Base, posted Mar. 7, 2018, [online], [visited May 6, 2021], Internet, <URL: <https://www.amazon.com/Single-Threshold-Shower-Base-SB-AZ04LD/dp/B07B9G8HRQ/ref>> (Year: 2018).*

(Continued)

Primary Examiner — Sheryl Lane
Assistant Examiner — Samantha N Wood
(74) *Attorney, Agent, or Firm* — Morrison & Foerster LLP

Related U.S. Application Data

- (63) Continuation of application No. 29/630,388, filed on Dec. 20, 2017, now Pat. No. Des. 860,414.
- (51) **LOC (13) Cl.** **23-02**
- (52) **U.S. Cl.**
USPC **D23/304**
- (58) **Field of Classification Search**
USPC D23/303, 304, 305, 275, 277, 283;
D32/55, 56
CPC . A47K 3/00; A47K 3/02; A47K 3/004; A47K 3/40; A47K 3/405; A47K 3/022; A47K 3/28; A47K 3/281
See application file for complete search history.

(57) **CLAIM**

I claim the ornamental design for a shower base, as shown and described.

(56) **References Cited**

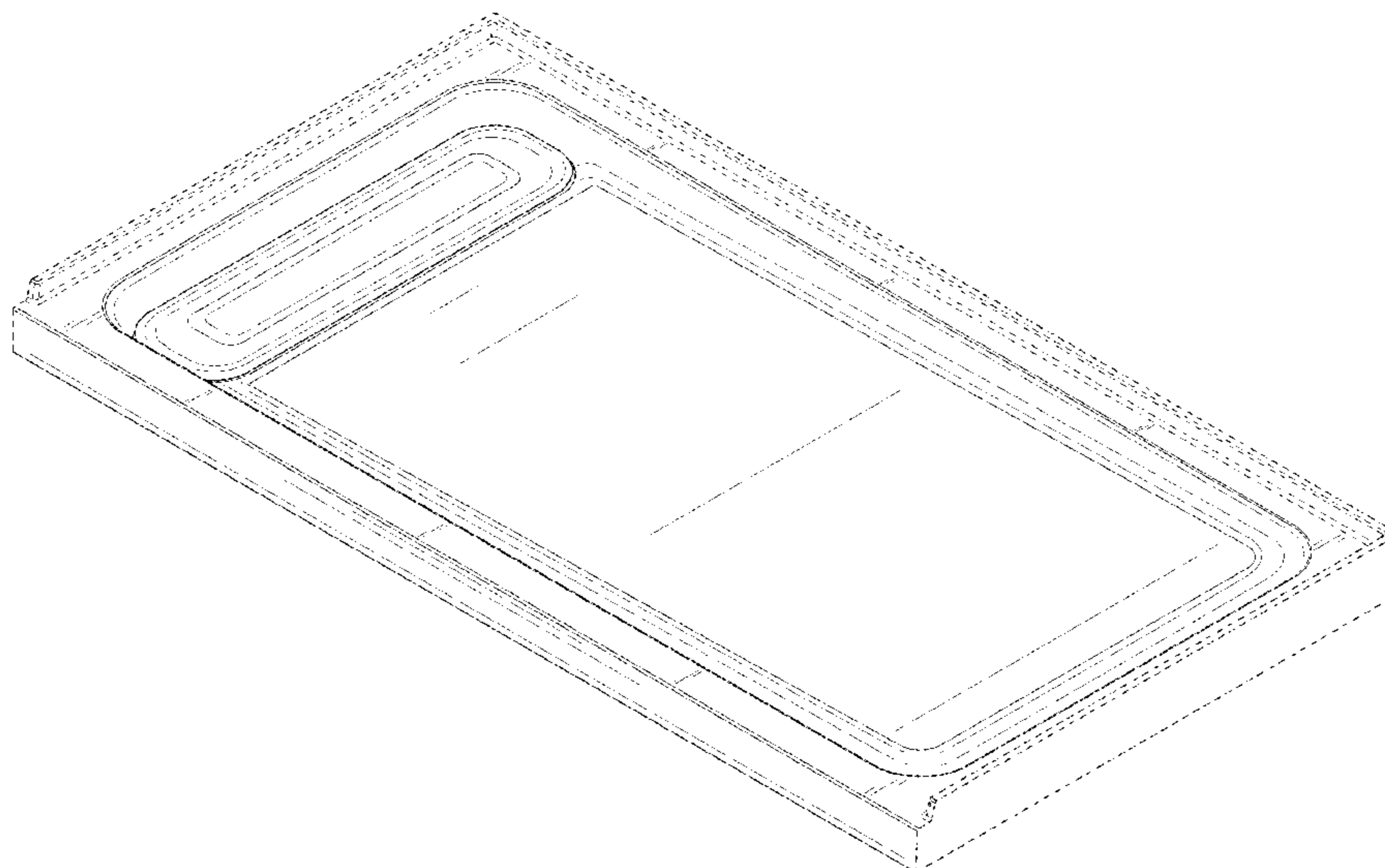
DESCRIPTION

U.S. PATENT DOCUMENTS

- D351,019 S 9/1994 Moore et al.
- D480,455 S 10/2003 Painter et al.
- D486,208 S 2/2004 Piatt et al.
- D532,877 S 11/2006 Hisey
- D540,926 S 4/2007 Flores
- D541,913 S 5/2007 Piatt
- D565,157 S * 3/2008 Bates D23/304
- D596,721 S 7/2009 Hisey
- D596,722 S 7/2009 Hisey
- D609,316 S 2/2010 Hisey
- D611,129 S 3/2010 Hisey

FIG. 1 is a front perspective view of a shower base showing my new design;
FIG. 2 is a front view thereof;
FIG. 3 is a rear view thereof;
FIG. 4 is a side view thereof;
FIG. 5 is a side view of the opposite side of FIG. 4; and,
FIG. 6 is a top view thereof.
The broken lines shown in the drawings illustrate portions of a shower base that form no part of the claimed design.

1 Claim, 4 Drawing Sheets



(56)

References Cited

OTHER PUBLICATIONS

U.S. PATENT DOCUMENTS

D693,911	S	*	11/2013	Adams	D23/304
D731,630	S		6/2015	DeSocio		
D750,764	S		3/2016	DeSocio		
9,462,916	B2		10/2016	Adams		
D776,246	S		1/2017	Licini		
D785,148	S		4/2017	Licini		
9,611,634	B2		4/2017	Erlebach		
D792,954	S		7/2017	Sander et al.		
D827,793	S	*	9/2018	Derrickson	D23/304
D858,724	S		9/2019	Bucher et al.		
D859,613	S		9/2019	Bucher et al.		
D859,614	S		9/2019	Bucher et al.		
D860,412	S		9/2019	Bucher et al.		
D860,413	S		9/2019	Bucher et al.		
D860,414	S		9/2019	Bucher et al.		
D860,415	S		9/2019	Bucher et al.		
D868,222	S		11/2019	Bucher et al.		
D868,223	S		11/2019	Bucher et al.		
2004/0034922	A1	*	2/2004	Grayson	A47K 3/40 4/613
2006/0191067	A1		8/2006	Sadler		
2008/0148474	A1		6/2008	Witt		
2013/0276226	A1		10/2013	Cook et al.		
2016/0166121	A1		6/2016	Zimbric et al.		
2017/0164791	A1		6/2017	Provence		
2017/0196413	A1		7/2017	Sander et al.		

FOREIGN PATENT DOCUMENTS

CA	149180		* 12/2012
CN	201230272033		* 12/2012
DE	10131338	A1	9/2002
DE	102007010598	A1	9/2008
EM	000293675-0001		4/2005
EP	1857029	A2	11/2007
JP	2000-265513	A	9/2000
RU	74583		4/2010

Amazon, Transolid Rectangular Shower base, posted Aug. 13, 2019, [online], [visited May 6, 2021], Internet, <URL: <https://www.amazon.com/Transolid-FL4832L-39-Linear-Rectangular-Alcove/dp/B07WVGJGDHN/ref>> (Year: 2019).*

Bucher et al., U.S. Office Action dated Dec. 12, 2018, directed to U.S. Appl. No. 29/637,917; 8 pages.

Bucher et al., U.S. Office Action dated Dec. 12, 2018, directed to U.S. Appl. No. 29/637,921; 7 pages.

Bucher et al., U.S. Office Action dated Dec. 12, 2018, directed to U.S. Appl. No. 29/637,922; 6 pages.

Bucher, U.S. Office Action dated Apr. 2, 2019, directed to U.S. Appl. No. 29/630,385; 5 pages.

Bucher, U.S. Office Action dated Apr. 2, 2019, directed to U.S. Appl. No. 29/630,389; 5 pages.

Bucher, U.S. Office Action dated Dec. 12, 2018, directed to U.S. Appl. No. 29/630,377; 6 pages.

Bucher, U.S. Office Action dated Dec. 12, 2018, directed to U.S. Appl. No. 29/630,379; 7 pages.

Bucher, U.S. Office Action dated Dec. 12, 2018, directed to U.S. Appl. No. 29/630,385; 7 pages.

Bucher, U.S. Office Action dated Dec. 12, 2018, directed to U.S. Appl. No. 29/630,386; 6 pages.

Bucher, U.S. Office Action dated Dec. 12, 2018, directed to U.S. Appl. No. 29/630,388; 9 pages.

Bucher, U.S. Office Action dated Dec. 12, 2018, directed to U.S. Appl. No. 29/630,389; 7 pages.

Examination Report dated May 7, 2019, directed to CA Application No. 183084; 3 pages.

First Notification to Make Rectification dated Nov. 14, 2018, directed to CN Application No. 201830463529.6; 2 pages.

Mincey Marble Manufacturing. (2006) "Installation Instructions for Mincey Marble Manufacturing's Standard Cast Marble Trench Drain Shower Pan—Residence Inn by Marriott"; 3 pages.

* cited by examiner

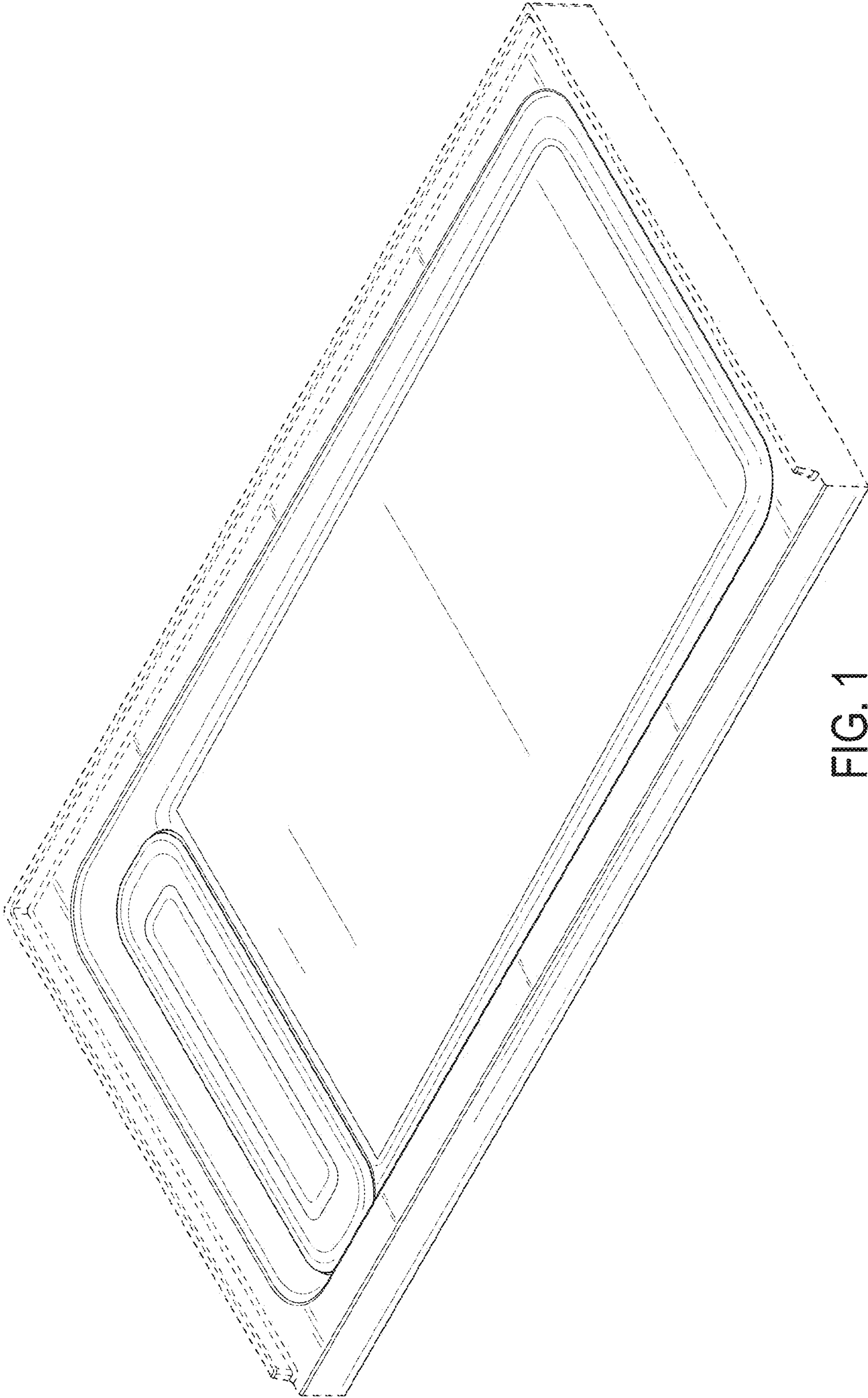


FIG. 1

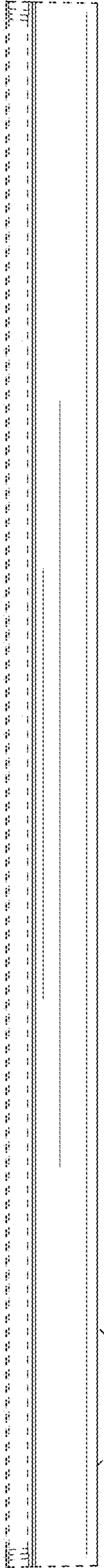


FIG. 2

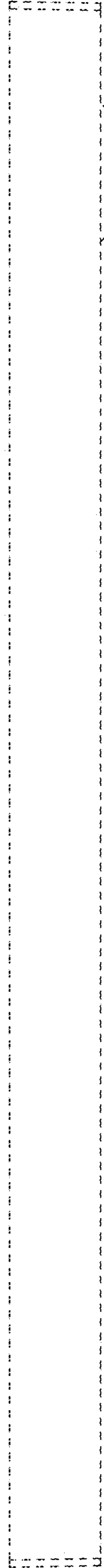


FIG. 3



FIG. 4



FIG. 5

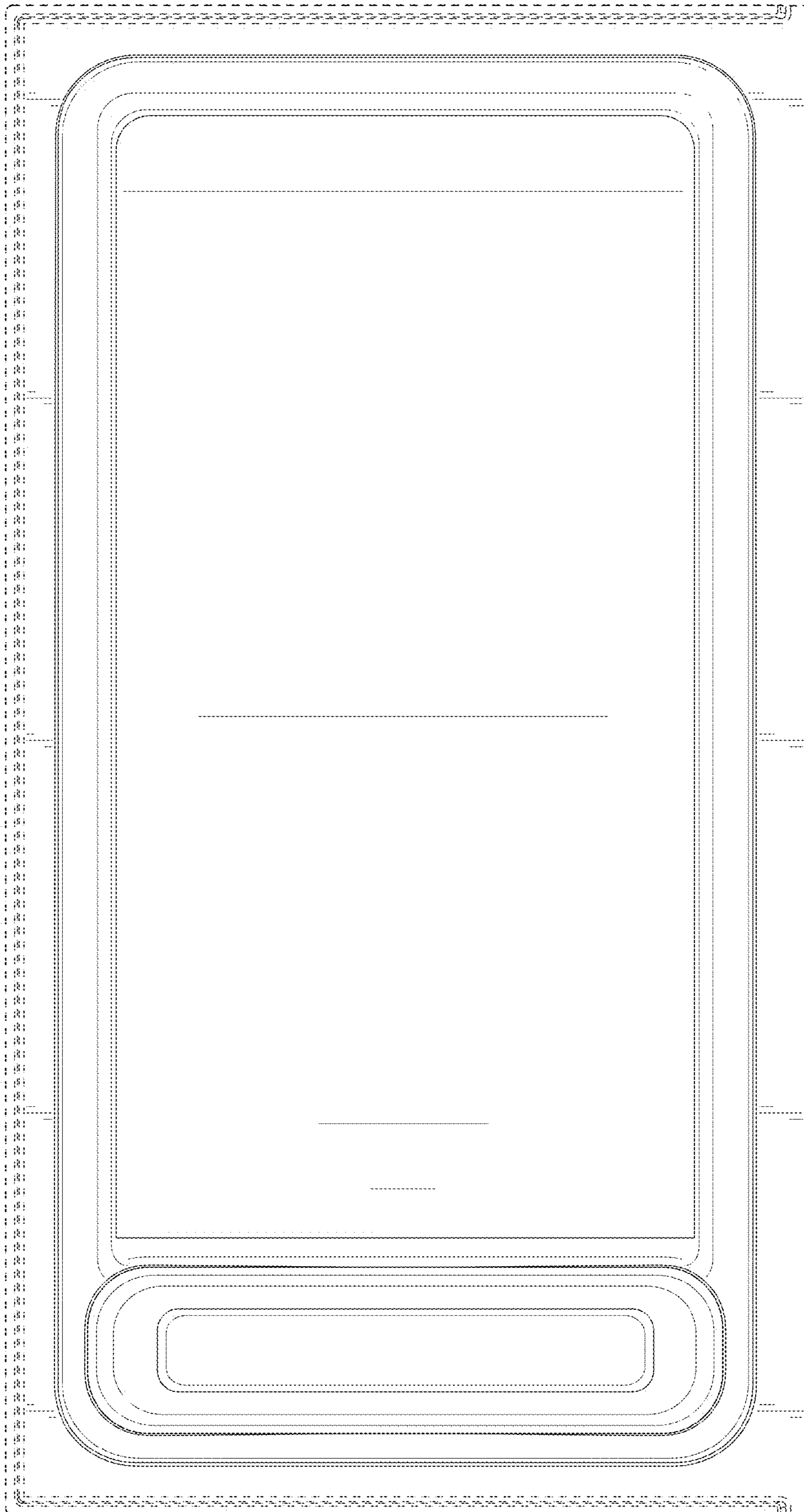


FIG. 6