



US00D931992S

(12) **United States Design Patent**  
**Ravassa et al.**

(10) **Patent No.:** **US D931,992 S**

(45) **Date of Patent:** **\*\* Sep. 28, 2021**

(54) **TOILET**

2013/0219605 A1\* 8/2013 Grover ..... E03D 11/08  
4/300.3

(71) Applicant: **AS America, Inc.**, Piscataway, NJ (US)

\* cited by examiner

(72) Inventors: **Gabriela Ravassa**, Brooklyn, NY (US);  
**Christophe Bucher**, Hillsborough, NJ  
(US); **Jean-Jacques L'Henaff**, New  
Canaan, CT (US)

*Primary Examiner* — Robert A Delehanty

(74) *Attorney, Agent, or Firm* — Tyler A. Stevenson;  
Anna-Lisa L. Gallo

(73) Assignee: **AS America, Inc.**, Piscataway, NJ (US)

(57) **CLAIM**

(\*\*) Term: **15 Years**

We claim the ornamental design for a toilet, as shown and described.

(21) Appl. No.: **29/719,817**

(22) Filed: **Jan. 8, 2020**

**DESCRIPTION**

(51) **LOC (13) Cl.** ..... **23-02**

(52) **U.S. Cl.**  
USPC ..... **D23/301**

(58) **Field of Classification Search**  
USPC ..... D23/295, 301, 309, 313  
See application file for complete search history.

FIG. 1 is a front, top, right side perspective view of a toilet showing our new design;  
FIG. 2 is a front view thereof;  
FIG. 3 is a rear side view thereof;  
FIG. 4 is a left side view thereof;  
FIG. 5 is a right side view thereof;  
FIG. 6 is a top view thereof; and,  
FIG. 7 is a bottom view thereof.

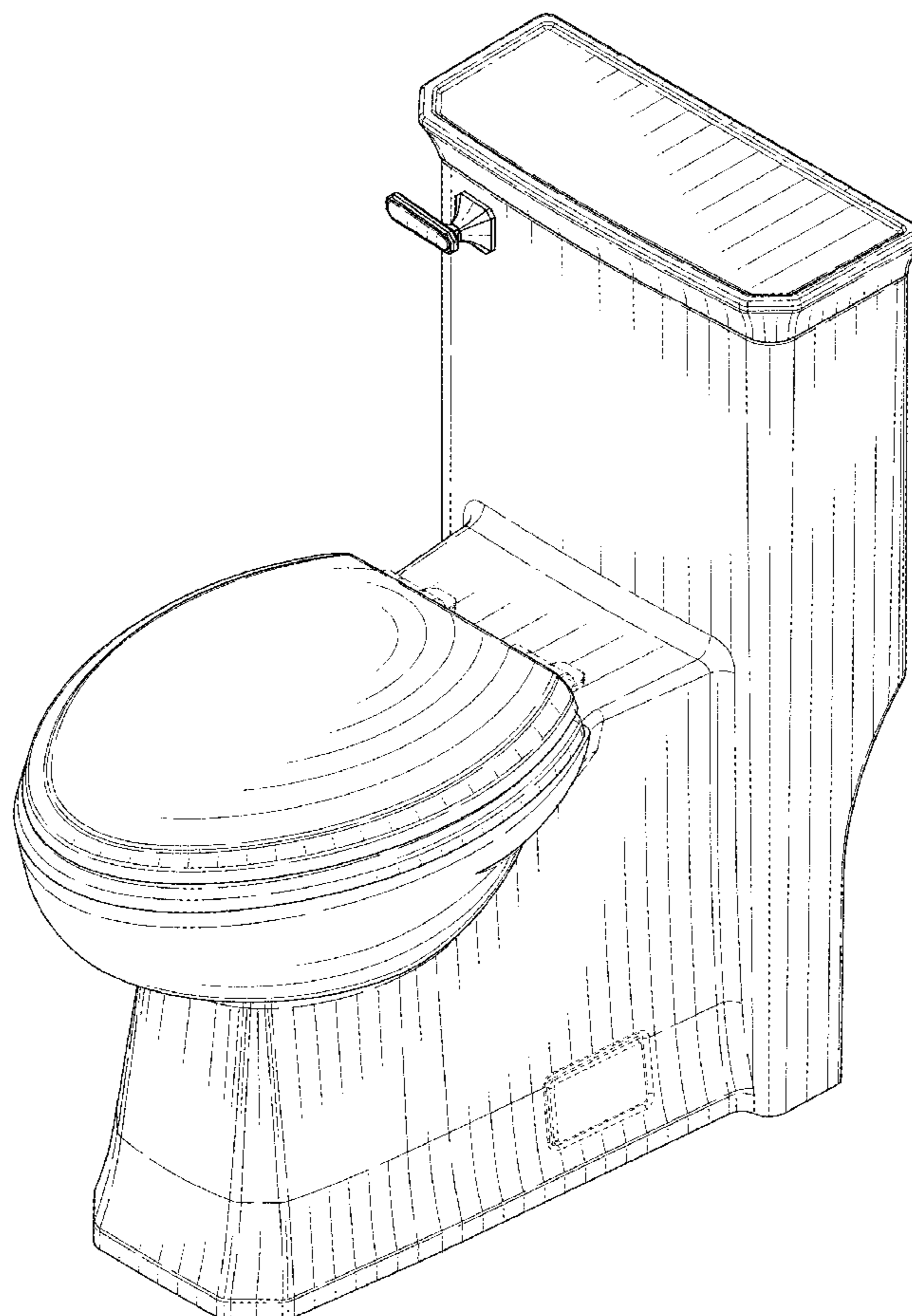
Broken lines of the disclosure are for illustrative purposes only and form no part of the claimed design.

(56) **References Cited**

**U.S. PATENT DOCUMENTS**

D672,018 S \* 12/2012 Bucher ..... D23/301  
D688,356 S \* 8/2013 Mendoza ..... D23/301  
D858,723 S \* 9/2019 Cummings ..... D23/301

**1 Claim, 6 Drawing Sheets**



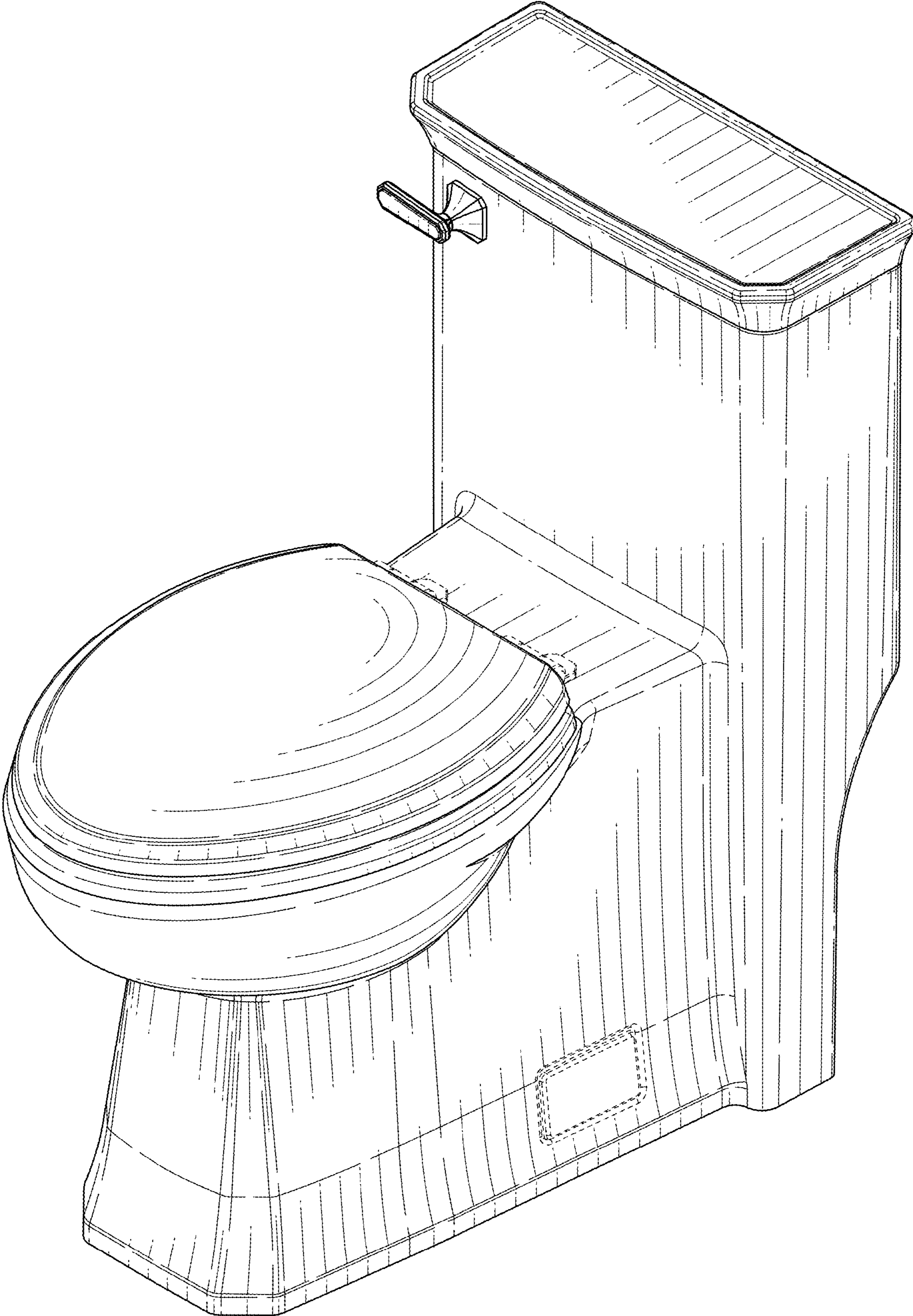


FIG. 1

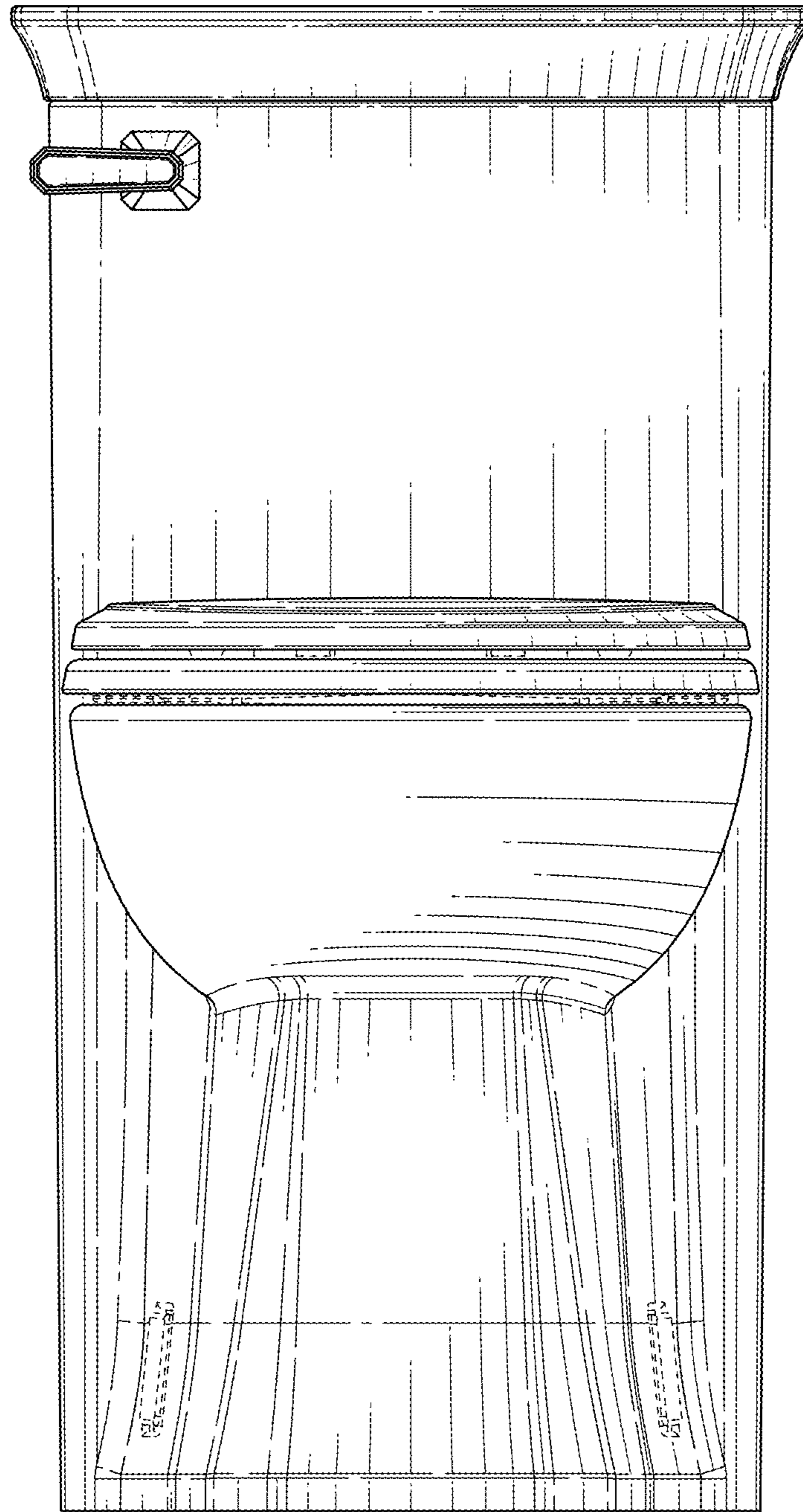


FIG. 2

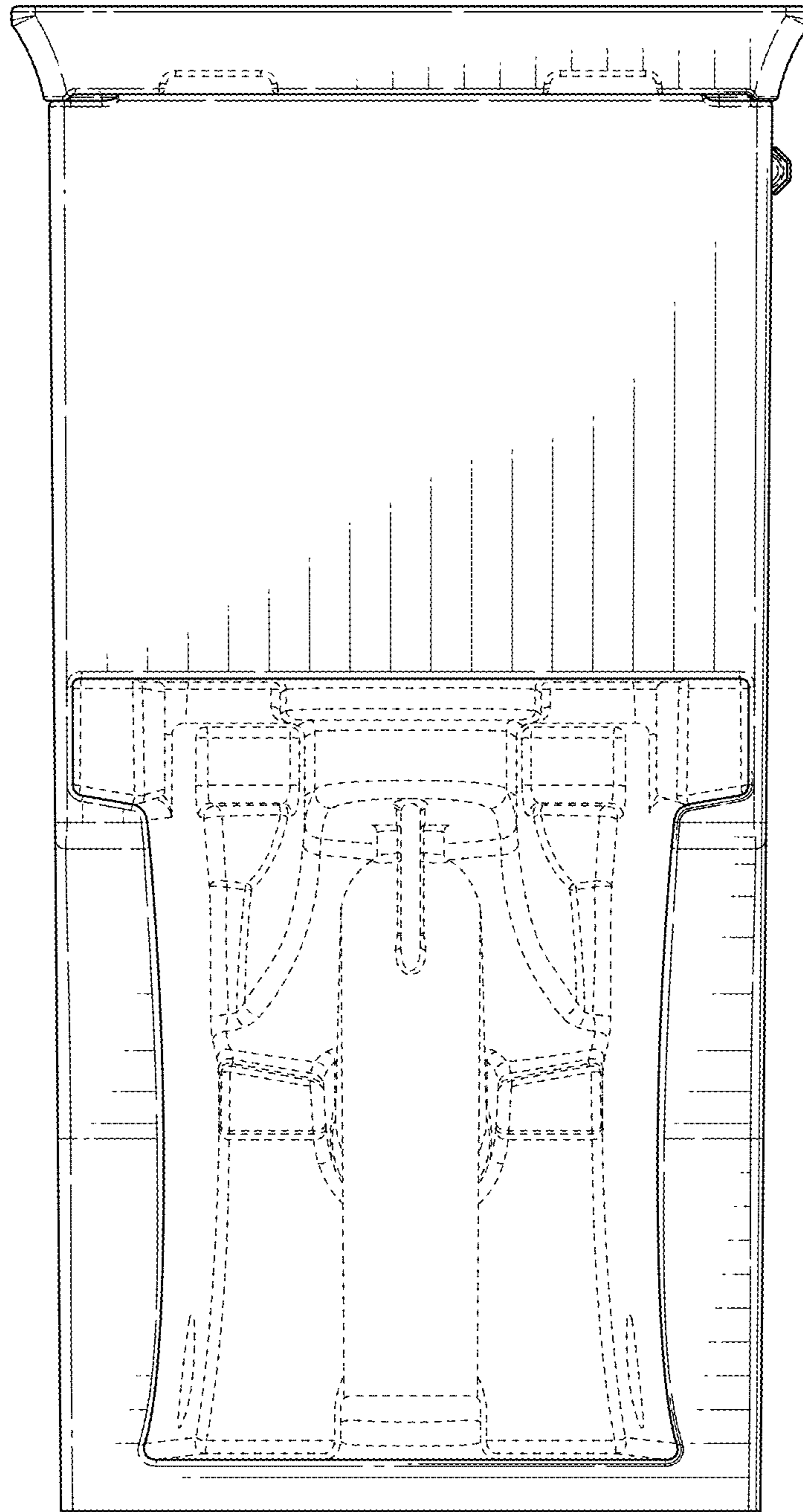


FIG. 3

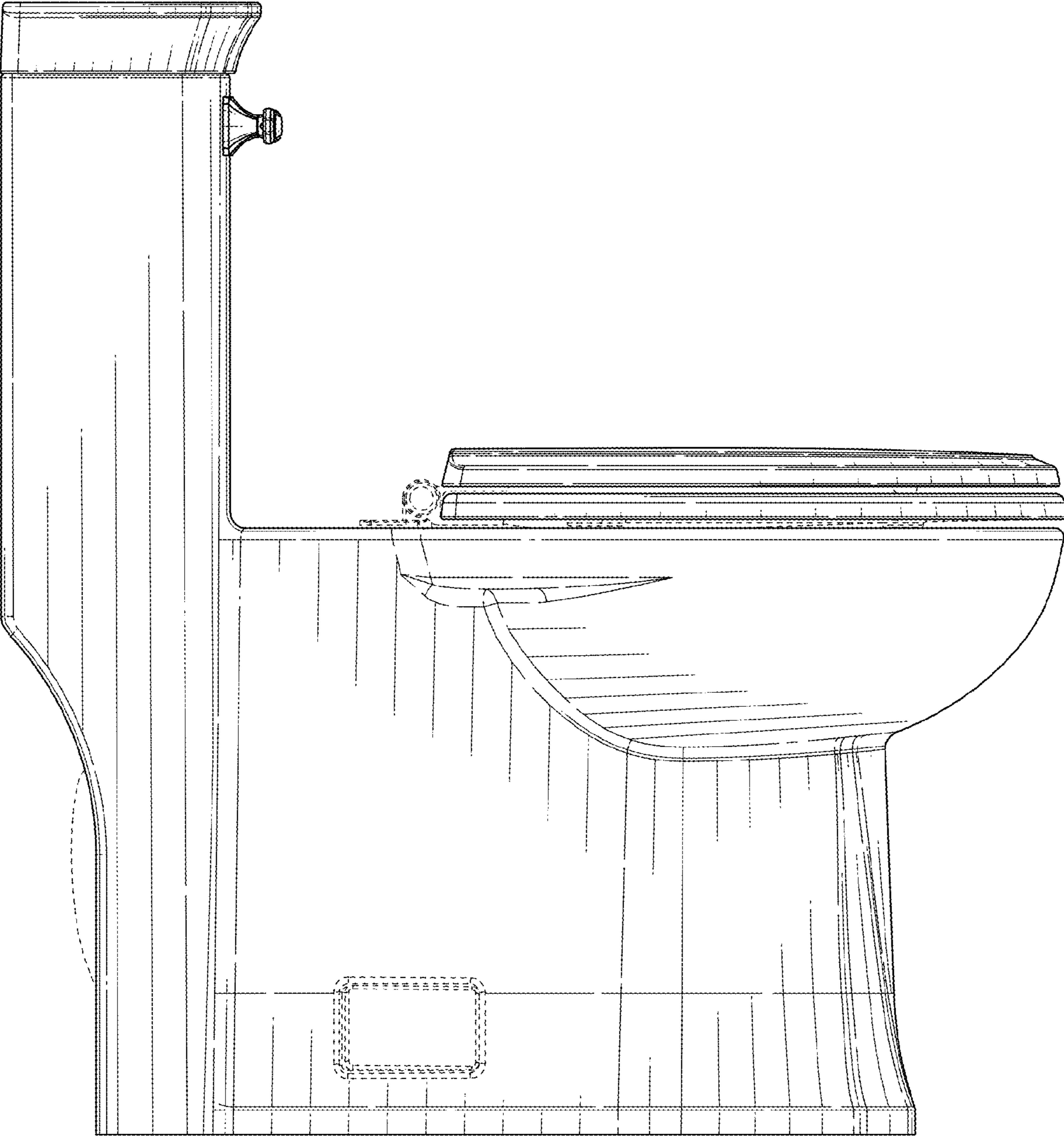


FIG. 4

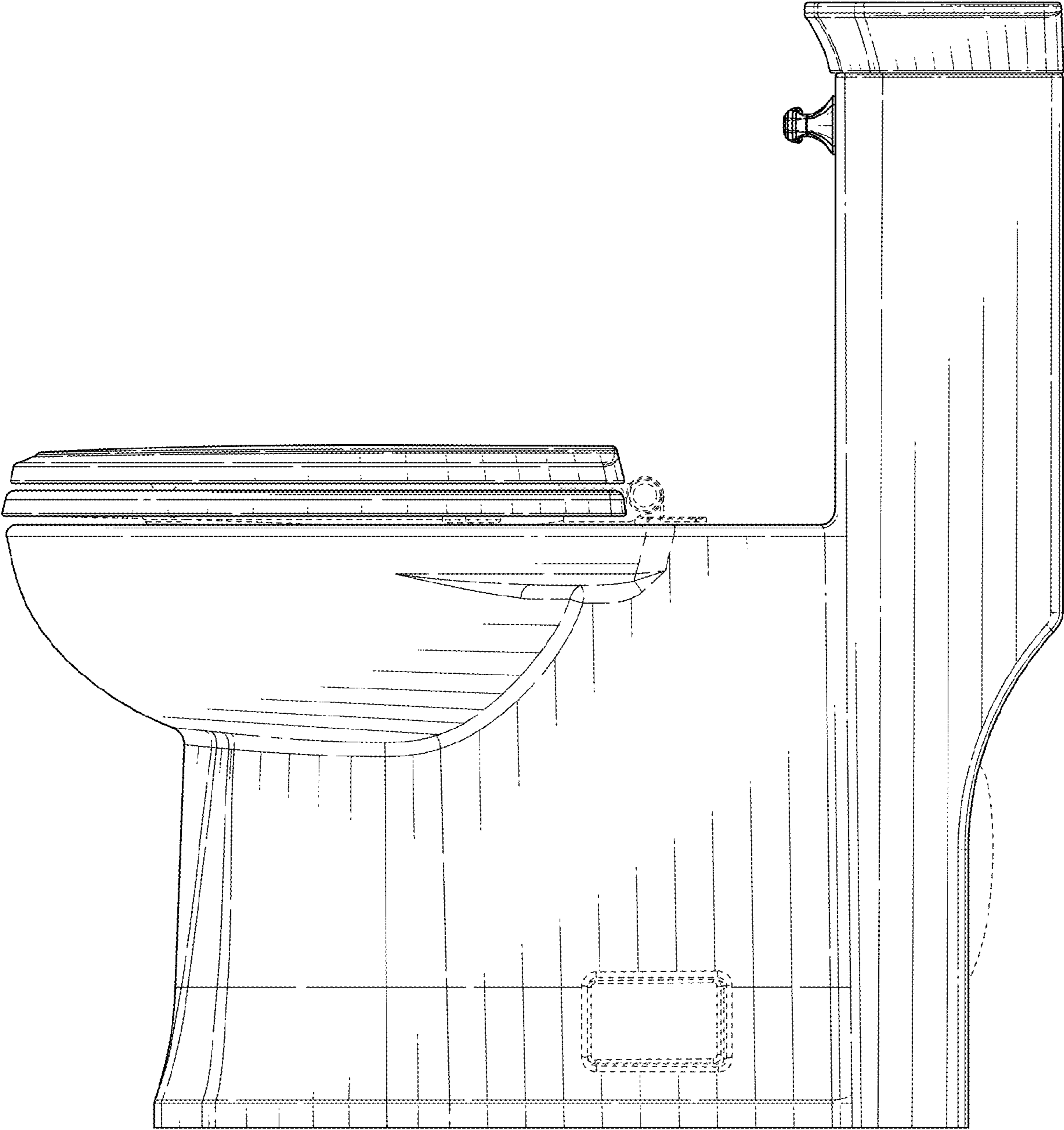


FIG. 5

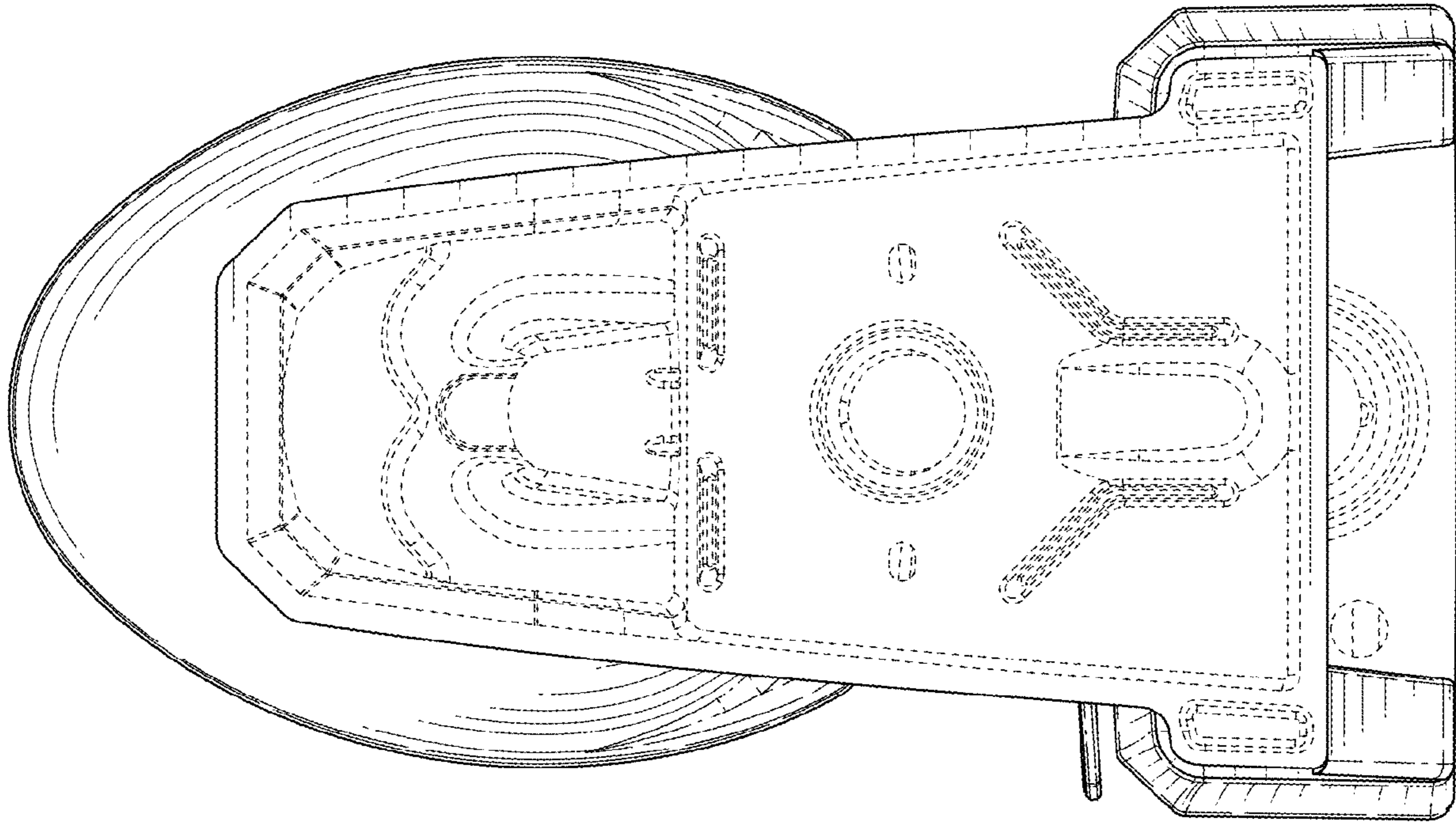


FIG. 7

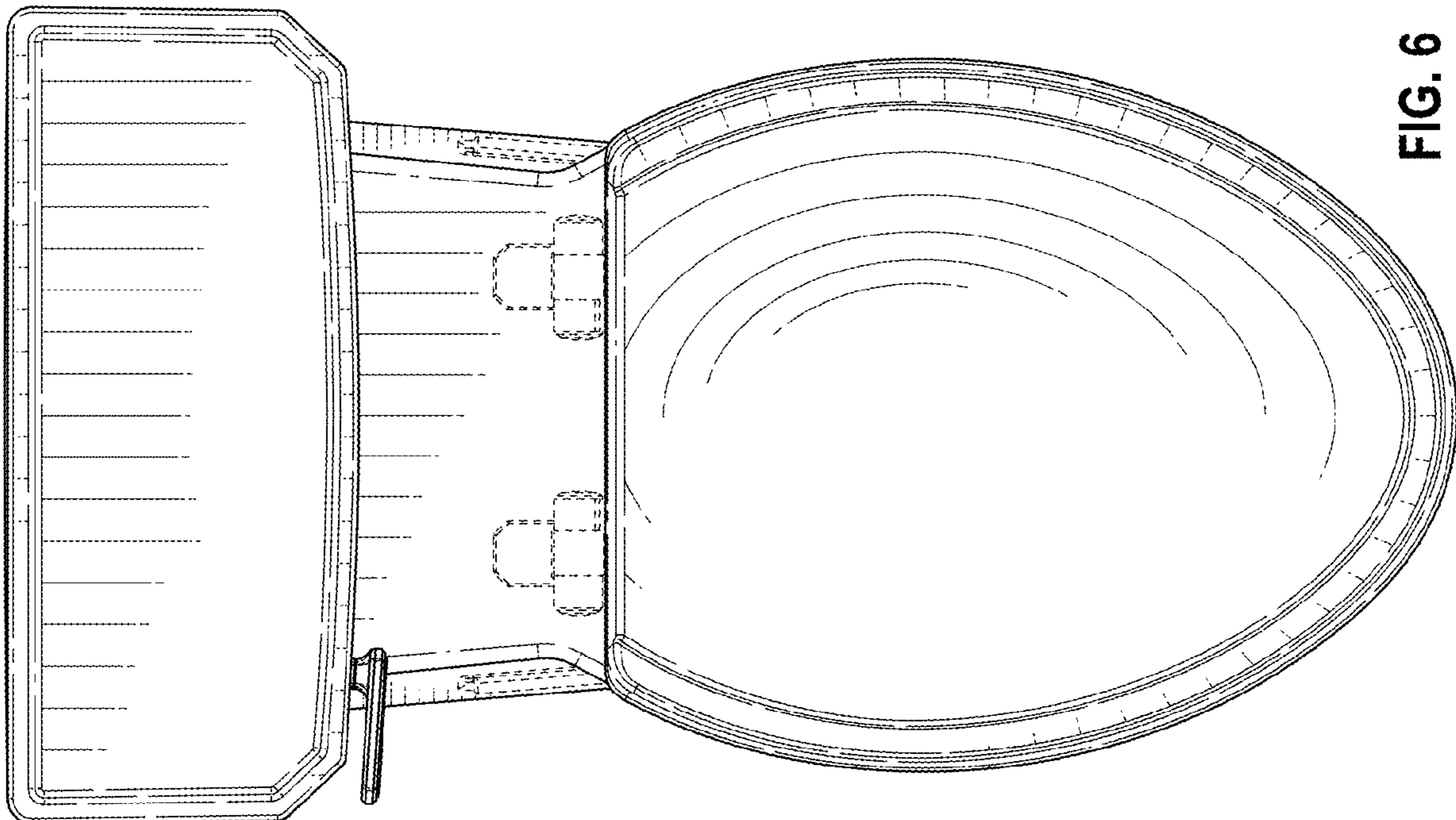


FIG. 6