



US00D931990S

(12) **United States Design Patent** (10) **Patent No.:** **US D931,990 S**  
**Willburn** (45) **Date of Patent:** **\*\* Sep. 28, 2021**

(54) **DRAIN SCREEN** D670,794 S \* 11/2012 Antonello ..... D23/262  
D723,139 S \* 2/2015 Bernoti ..... D23/260  
(71) Applicant: **Eddie Willburn**, Canyon, TX (US) D746,955 S \* 1/2016 Corder ..... D23/261  
D779,045 S \* 2/2017 Johansen ..... D23/261  
(72) Inventor: **Eddie Willburn**, Canyon, TX (US) 2010/0011494 A1\* 1/2010 Dees ..... E03C 1/264  
4/292  
(\*\*) Term: **15 Years** 2018/0100298 A1\* 4/2018 Willburn ..... E03C 1/264

**FOREIGN PATENT DOCUMENTS**

JP 2014122543 A \* 7/2014  
\* cited by examiner

*Primary Examiner* — Amy C Wierenga  
(74) *Attorney, Agent, or Firm* — Shannon Warren

(21) Appl. No.: **29/652,297**  
(22) Filed: **Jul. 10, 2020**

**Related U.S. Application Data**

(63) Continuation-in-part of application No. 15/727,536,  
filed on Oct. 6, 2017, now abandoned.  
(51) **LOC (13) Cl.** ..... **23-01**  
(52) **U.S. Cl.**  
USPC ..... **D23/261**  
(58) **Field of Classification Search**  
USPC ..... D23/269–262, 265–266; 210/163–164;  
4/286–295, 679, 613, 689, 684  
CPC ..... E02D 31/02; E03F 3/046  
See application file for complete search history.

(57) **CLAIM**

The ornamental design for a drain screen, as shown.

**DESCRIPTION**

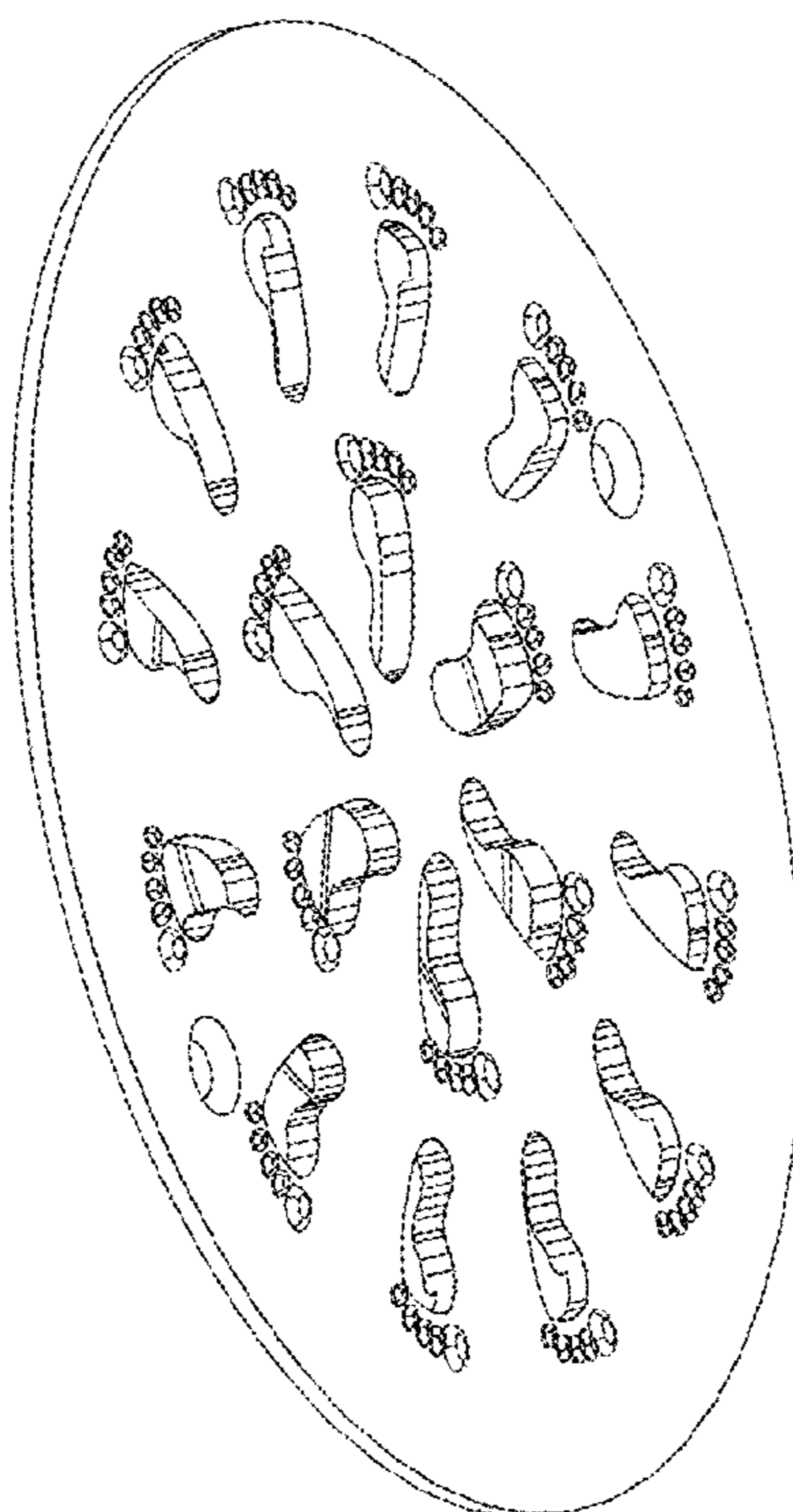
FIG. 1 illustrates a perspective overview of a drain screen;  
FIG. 2 illustrates a perspective underside view thereof;  
FIG. 3 illustrates an elevated top side view thereof;  
FIG. 4 illustrates an elevated bottom side view thereof;  
FIG. 5 illustrates an elevated side view thereof;  
FIG. 6 illustrates a perspective top side cross-section view  
taken along line 6-6 of FIG. 5;  
FIG. 7 illustrates a perspective bottom side cross-section  
view taken along line 6-6 of FIG. 5; and,  
FIG. 8 illustrates an elevated side cross-section view taken  
along line 6-6 of FIG. 5.

(56) **References Cited**

**U.S. PATENT DOCUMENTS**

2,094,286 A \* 9/1937 Vogt ..... E03C 1/264  
4/292  
3,212,416 A \* 10/1965 Boersma ..... E03F 5/06  
210/164  
D255,706 S \* 7/1980 Adam ..... D23/261  
D564,636 S \* 3/2008 Hanna ..... D23/261  
D574,066 S \* 7/2008 Hanna ..... D23/261  
7,964,095 B1 \* 6/2011 Graybeal ..... E03F 5/04  
210/164

**1 Claim, 8 Drawing Sheets**



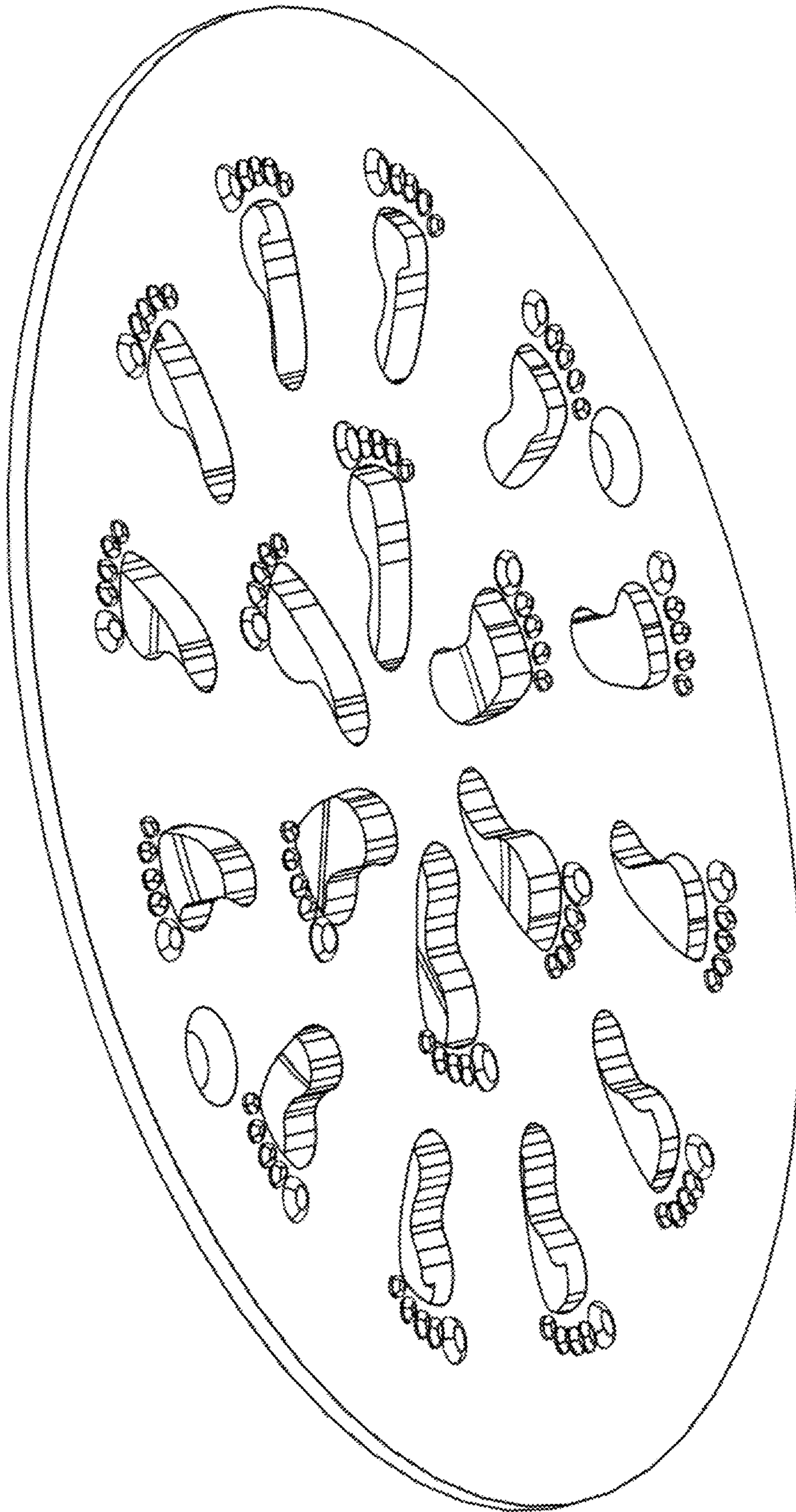


FIG. 1

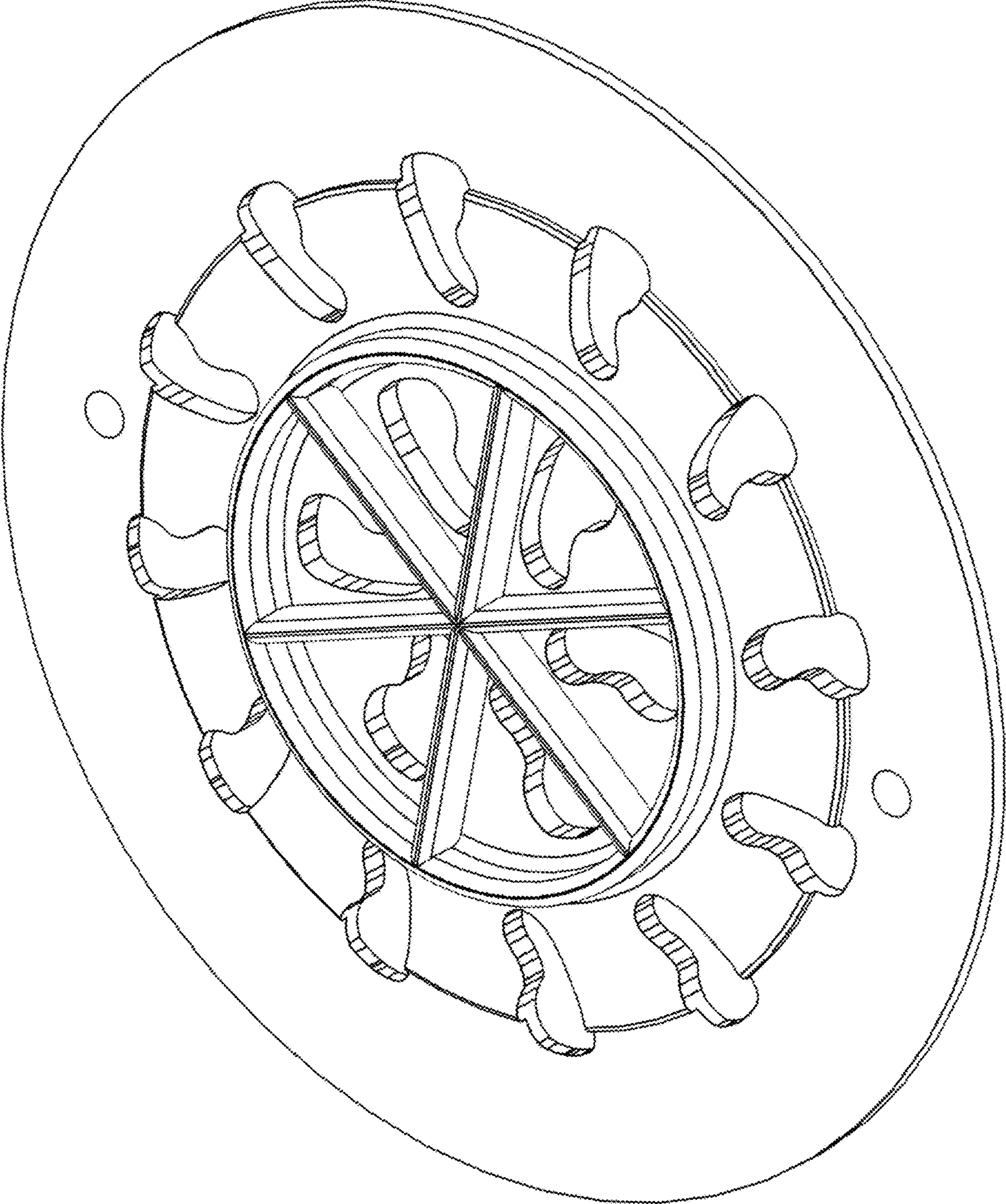


FIG. 2

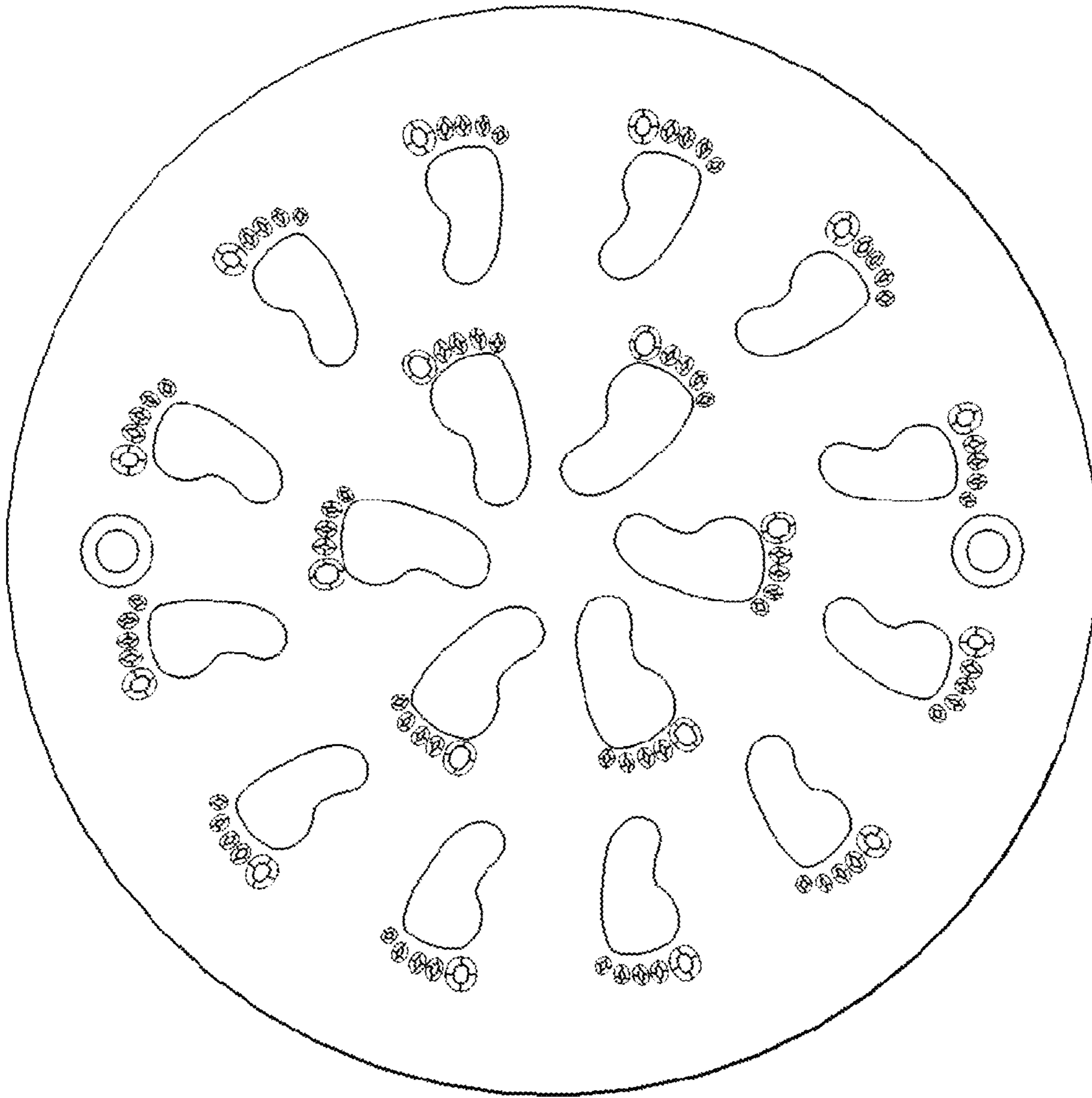


FIG. 3

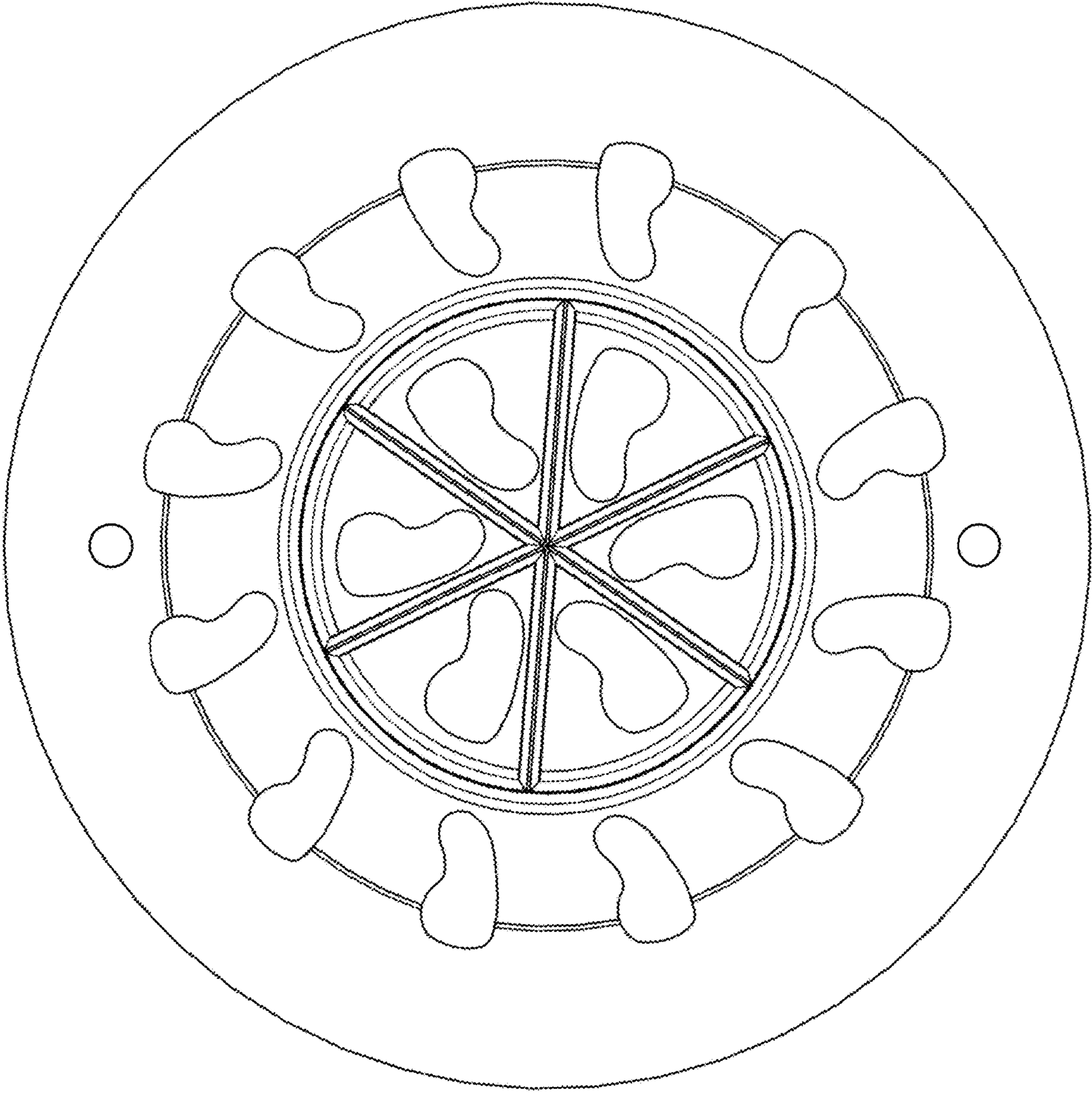


FIG. 4

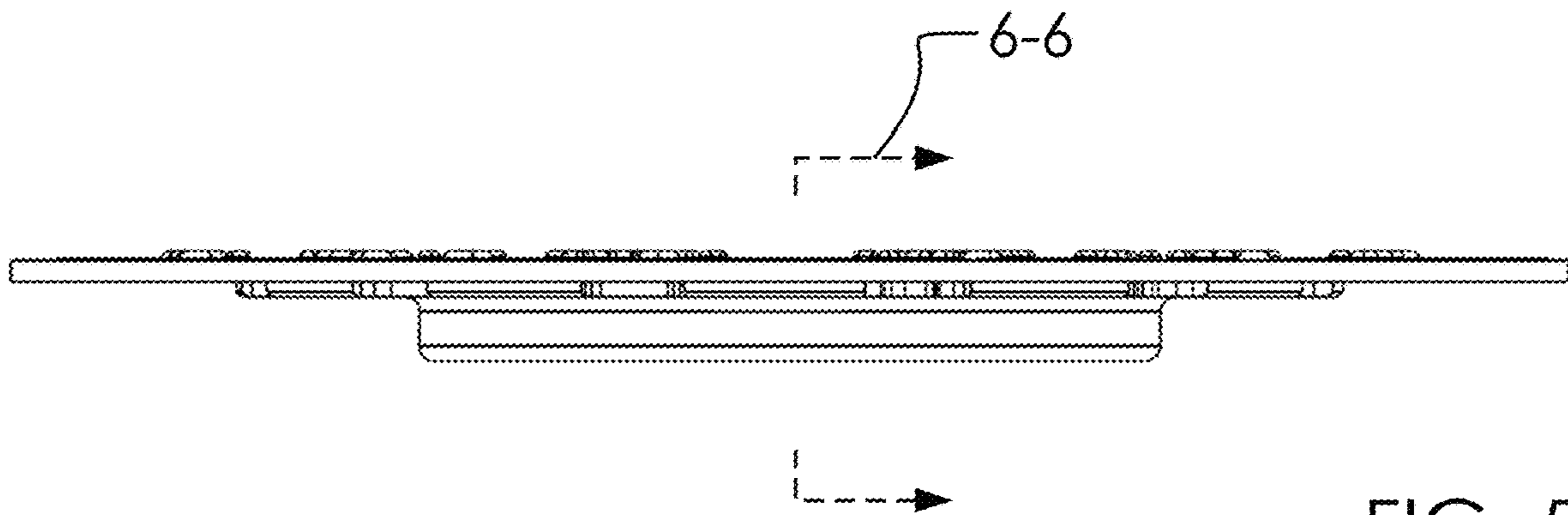


FIG. 5

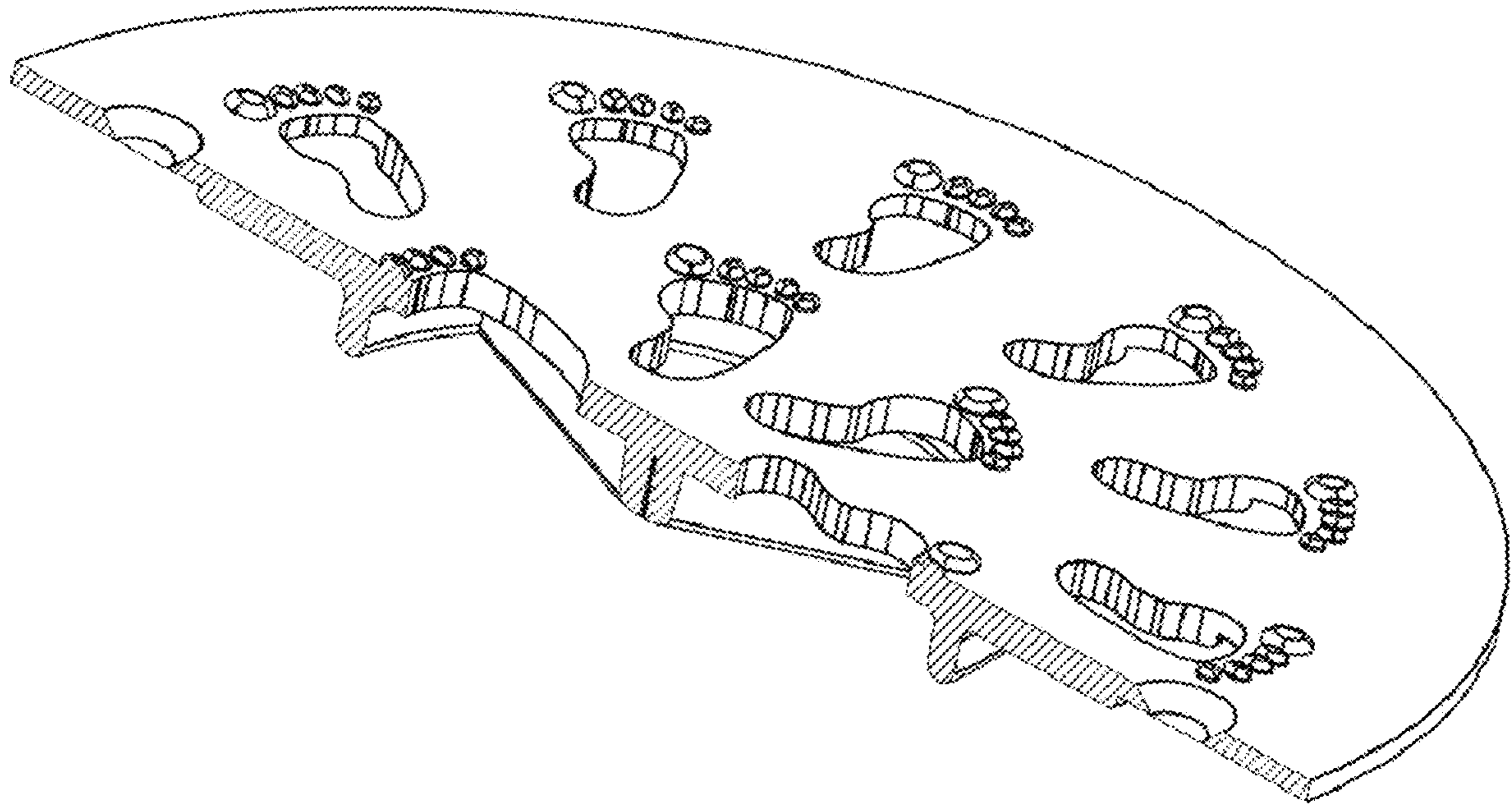


FIG. 6

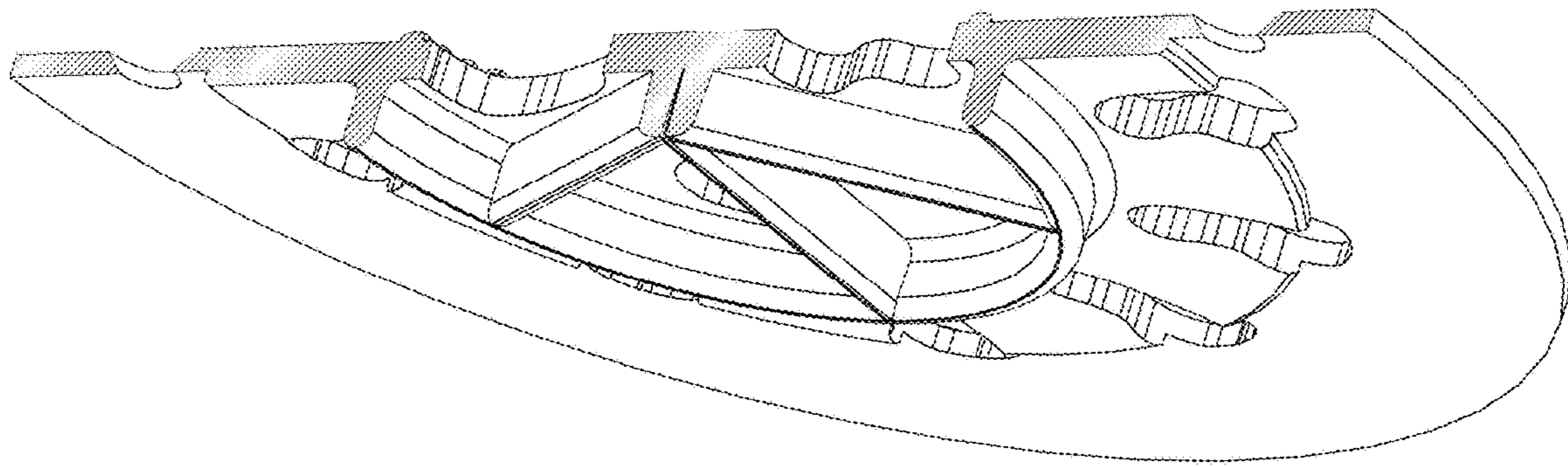


FIG. 7



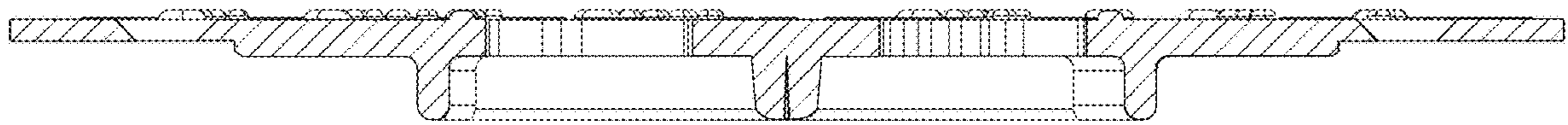


FIG. 8