



US00D931989S

(12) **United States Design Patent** (10) **Patent No.:** **US D931,989 S**
Mo (45) **Date of Patent:** **** Sep. 28, 2021**

(54) **AUTOMATIC SENSOR TOUCHLESS BATHROOM SINK FAUCET**

- (71) Applicant: **Bin Mo**, Shenzhen (CN)
- (72) Inventor: **Bin Mo**, Shenzhen (CN)
- (**) Term: **15 Years**
- (21) Appl. No.: **29/752,798**
- (22) Filed: **Sep. 29, 2020**
- (51) **LOC (13) Cl.** **23-01**
- (52) **U.S. Cl.**
USPC **D23/255**
- (58) **Field of Classification Search**
USPC D23/238-243, 255, 257; D10/96
See application file for complete search history.

(56) **References Cited**

U.S. PATENT DOCUMENTS

5,566,702	A *	10/1996	Philipp	E03C 1/057 137/1
D536,425	S *	2/2007	VanMarcke	D23/255
D608,420	S *	1/2010	Kohler, Jr.	D23/255
D611,574	S *	3/2010	Lammel	D23/257
D615,162	S *	5/2010	Pan	D23/255
D647,180	S	10/2011	Slothower et al.		
D797,900	S	9/2017	Ogata et al.		
D797,901	S	9/2017	Ogata et al.		
D810,892	S	2/2018	Yuji et al.		
10,119,253	B2 *	11/2018	Seggio	E03C 1/04
10,125,477	B2 *	11/2018	Lin	E03C 1/0404
D873,384	S	1/2020	Guo		
10,633,843	B2 *	4/2020	Main	E03C 1/057
D908,195	S *	1/2021	Mo	D23/255

OTHER PUBLICATIONS

Bathroom Sink Faucet, Motion Sensor Faucet Activation https://www.grainger.com/product/493J89?ef_id=EAAlQobChMlv_6amvaX8glVByGtBh2fAw_MEAQYBCABEGKaFfD_BwE:G:s&s_kwid=AL!2966!3!496359977188!!!g!469890691406!&gclid=N:N:PS:Paid:GGL:CSM-2295:4P7A1P:20501231&gclid=EAAlQobChMlv_6amvaX8glVByGtBh2fAw_MEAQYBCABEGKaFfD_BwE&gclid=aw.ds (Year: 2021).*

Yodel Automatic Touchless Sensor Tap Hot Cold Mixer Faucet https://www.amazon.com/Yodel-Automatic-Touchless-Sensor-Brushed/dp/B00RSR28CQ/ref=asc_df_B00RSR28CQ/?tag=hyprod-20&linkCode=df0&hvadid=168473923091&hvpos=&hvnetw=g&hvrnd=14461252969651861048&hvpone=&hvtwo=&hvqmt=&hvdev=c&hvdvcmld=&hvlocint=&hvlocphy=9059726&hvtargid=pla-304791439190&pssc=1 (Year: 2016).*

* cited by examiner

Primary Examiner — Robert A Delehanty

(74) *Attorney, Agent, or Firm* — Rumit Ranjit Kanakia

(57) **CLAIM**

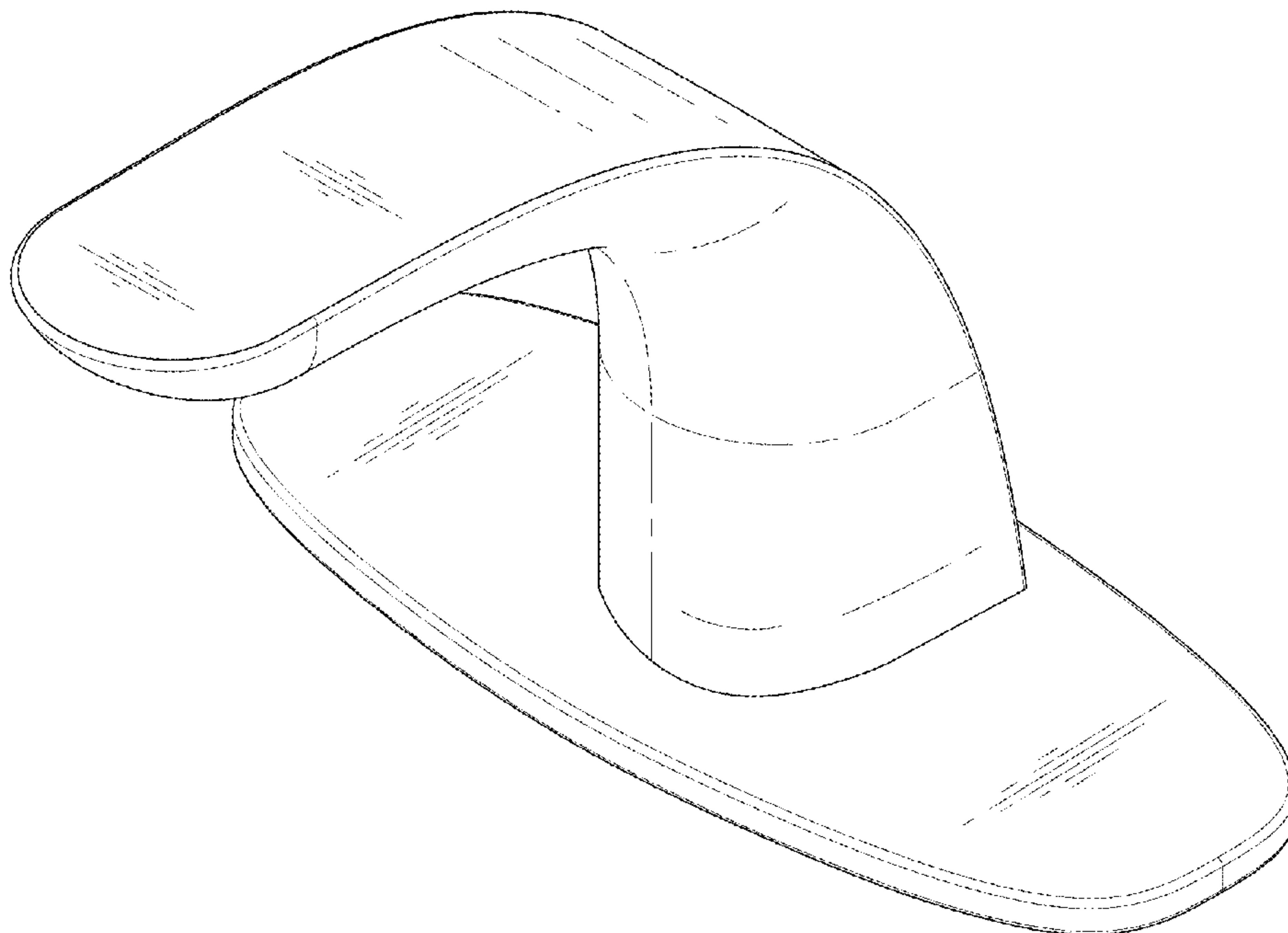
I claim the ornamental design for an automatic sensor touchless bathroom sink faucet, as shown and described.

DESCRIPTION

FIG. 1 is a Perspective view of an automatic sensor touchless bathroom sink faucet showing my new design;
 FIG. 2 is other perspective view thereof;
 FIG. 3 is a Front view thereof;
 FIG. 4 is a Back view thereof;
 FIG. 5 is a Right-side view thereof;
 FIG. 6 is a Left-side view thereof;
 FIG. 7 is a Top view thereof; and,
 FIG. 8 is a Bottom view thereof.

The broken lines are for the purpose of illustrating portions of the article that form no part of the claim.

1 Claim, 8 Drawing Sheets



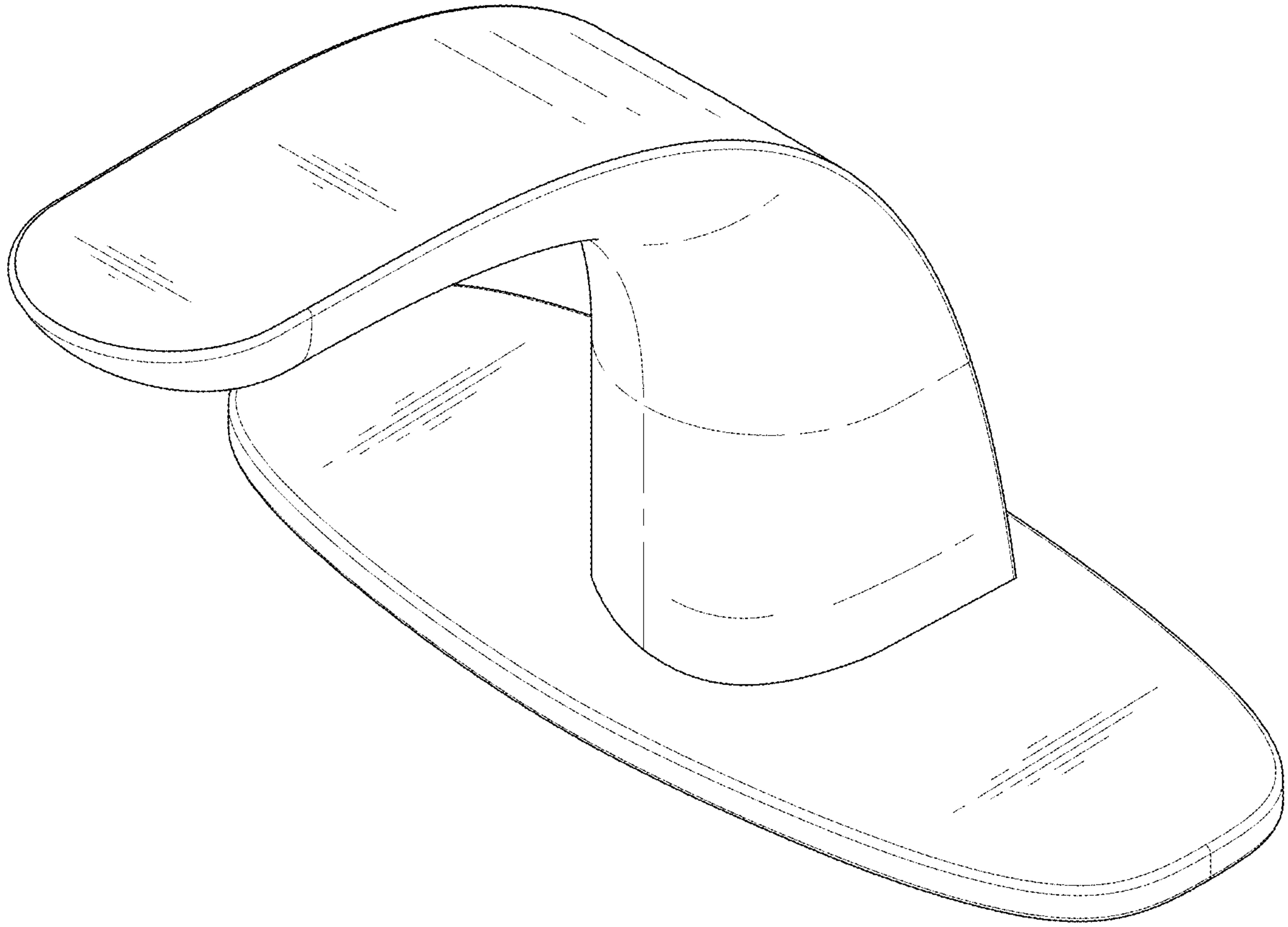


FIG. 1

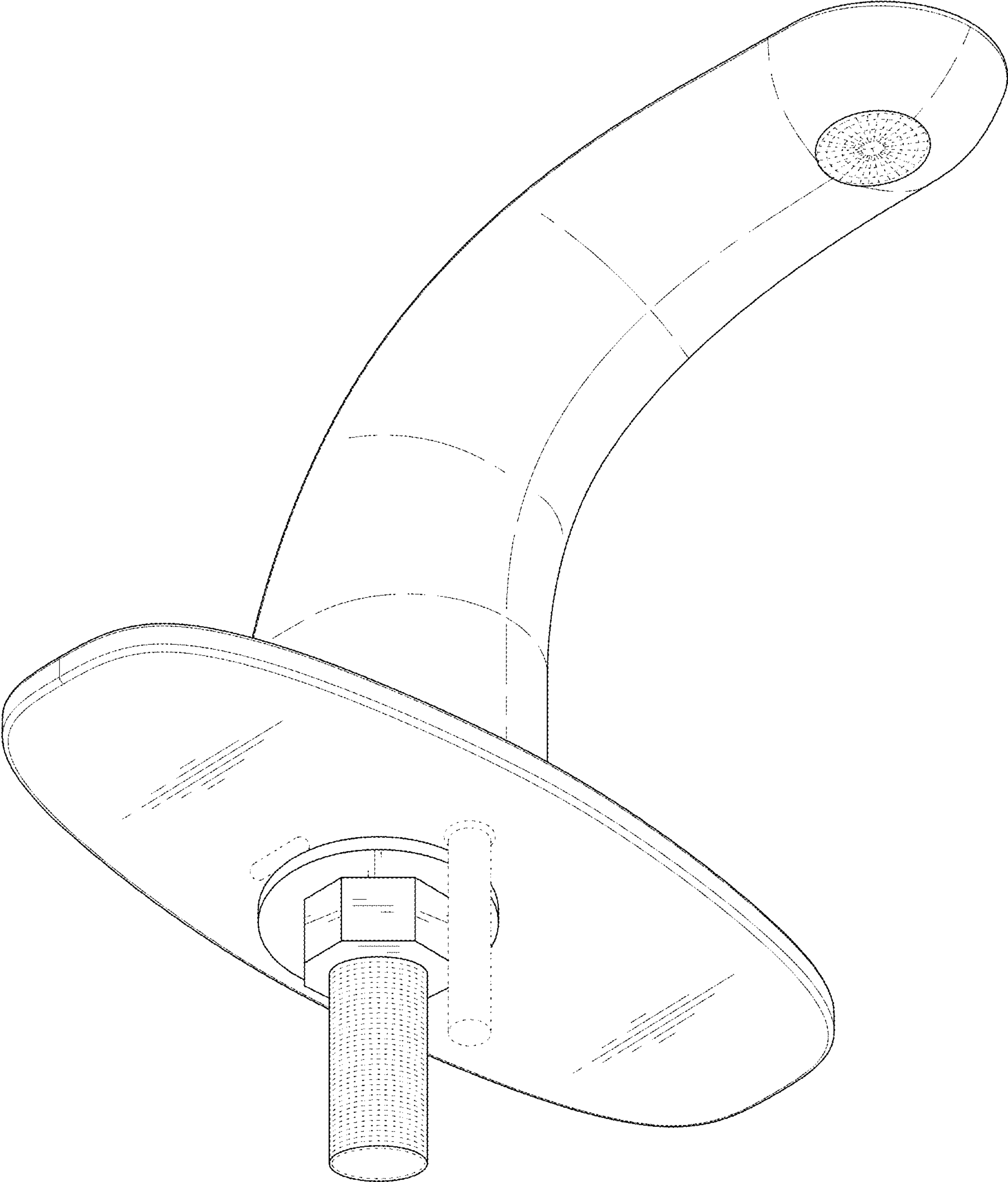


FIG. 2

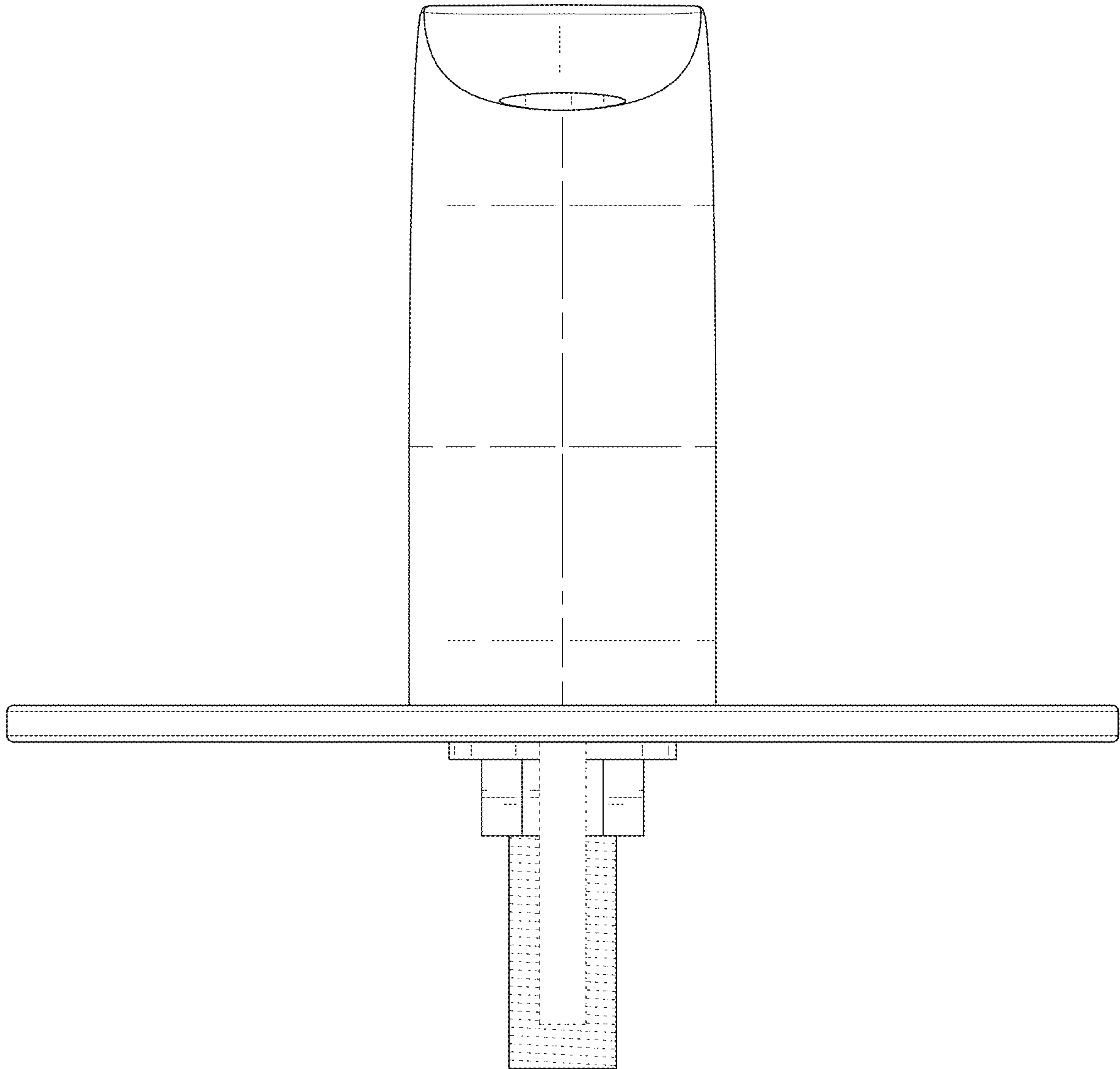


FIG. 3

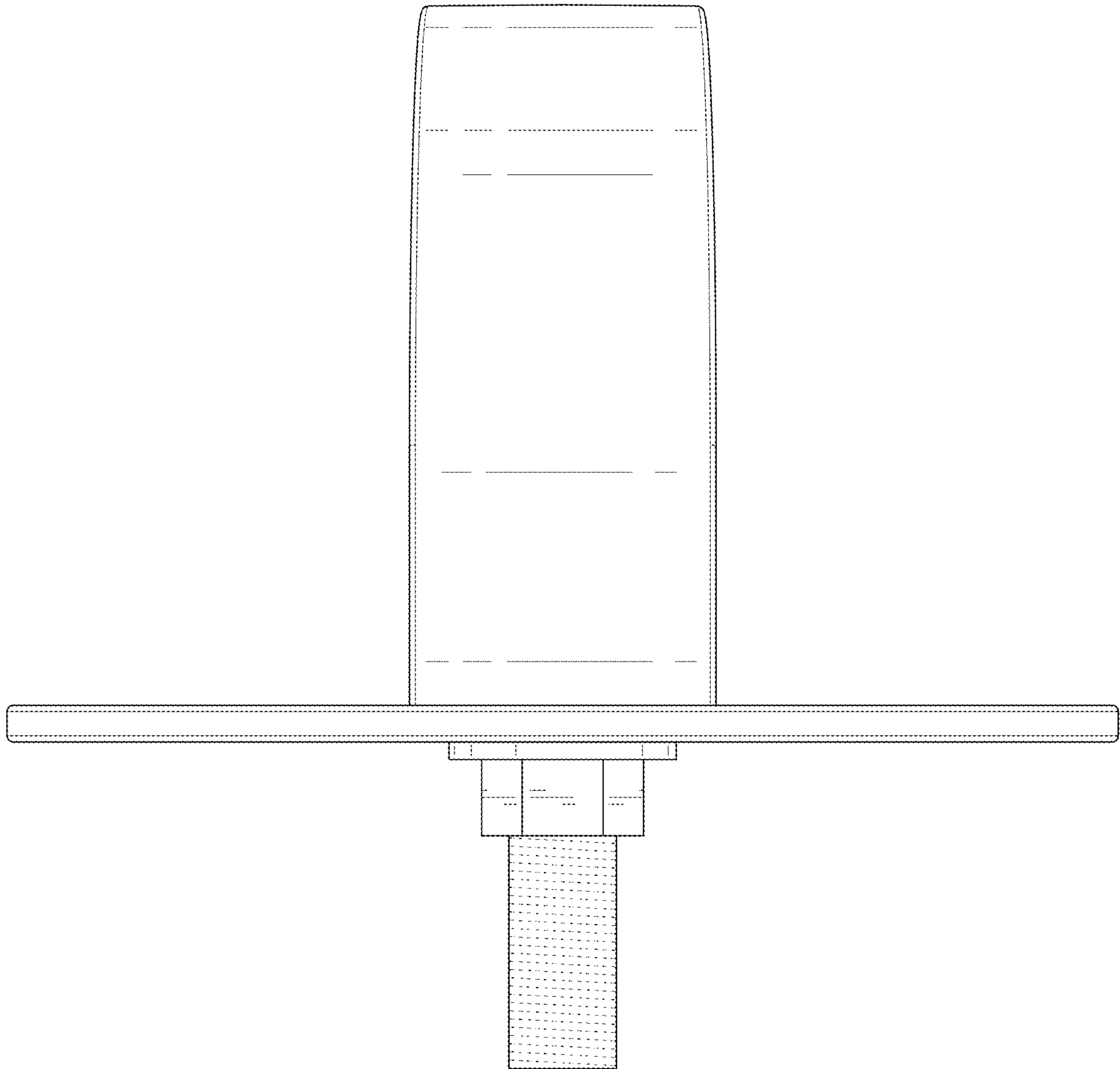


FIG. 4

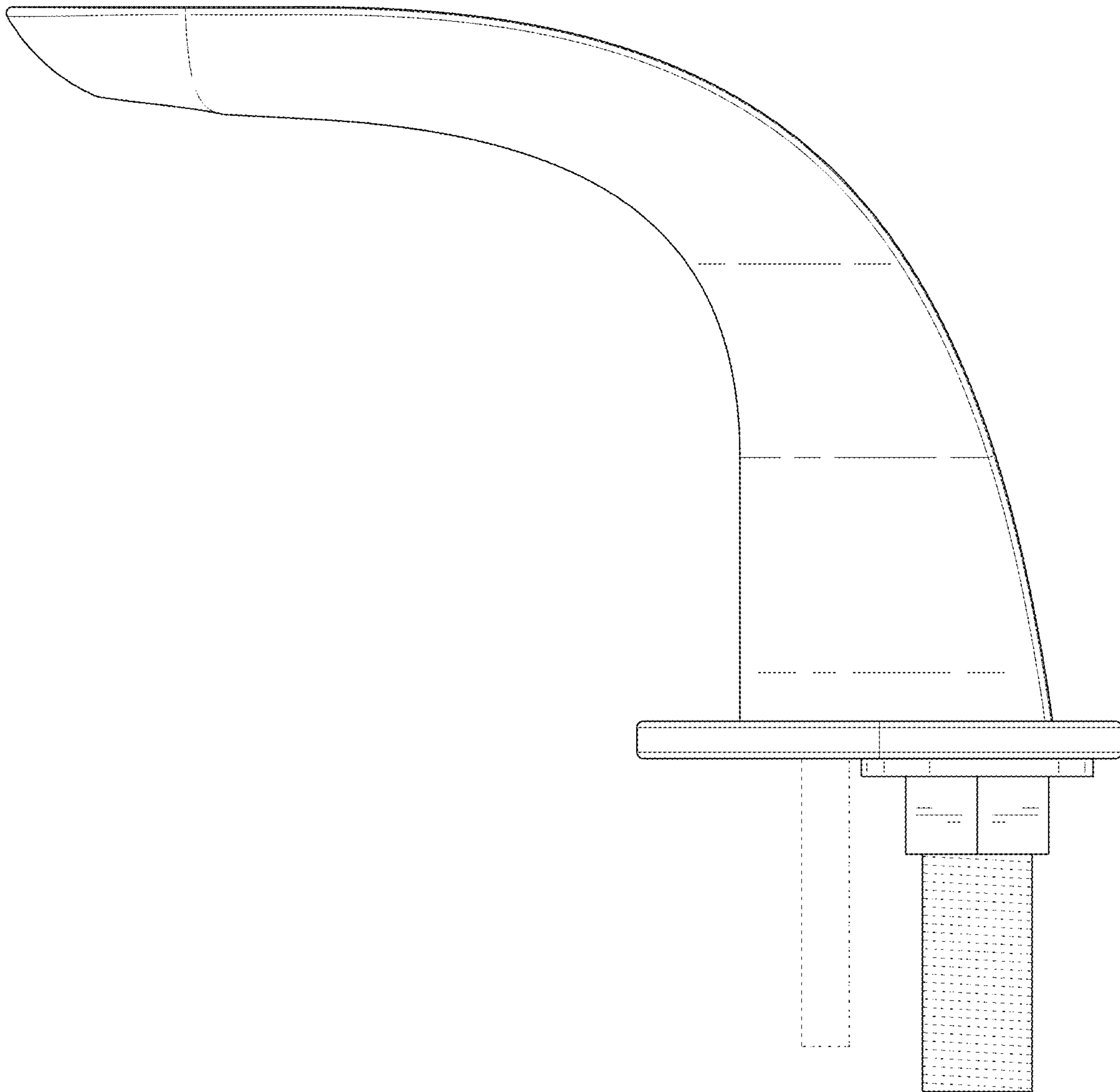


FIG. 5

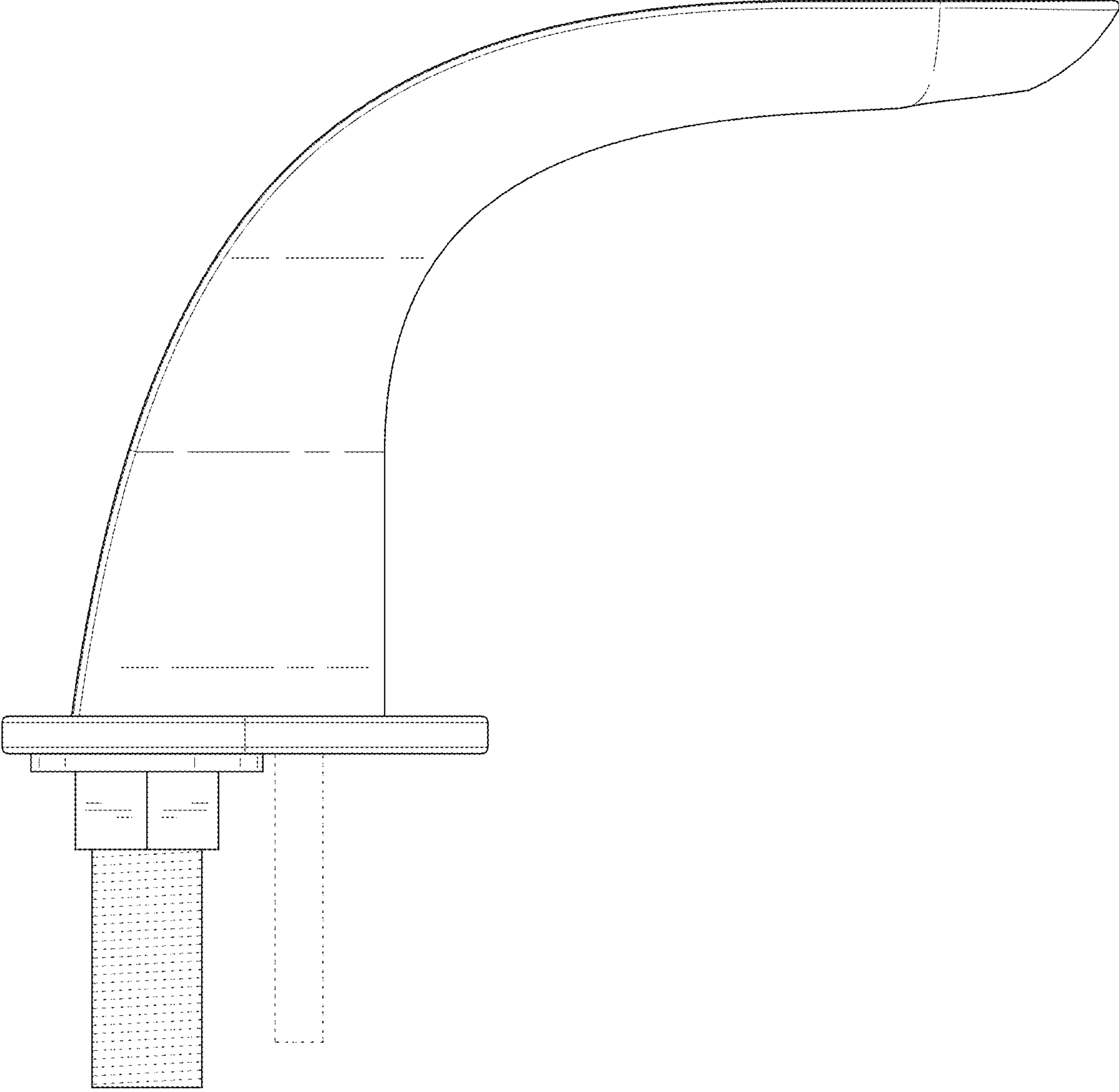


FIG. 6

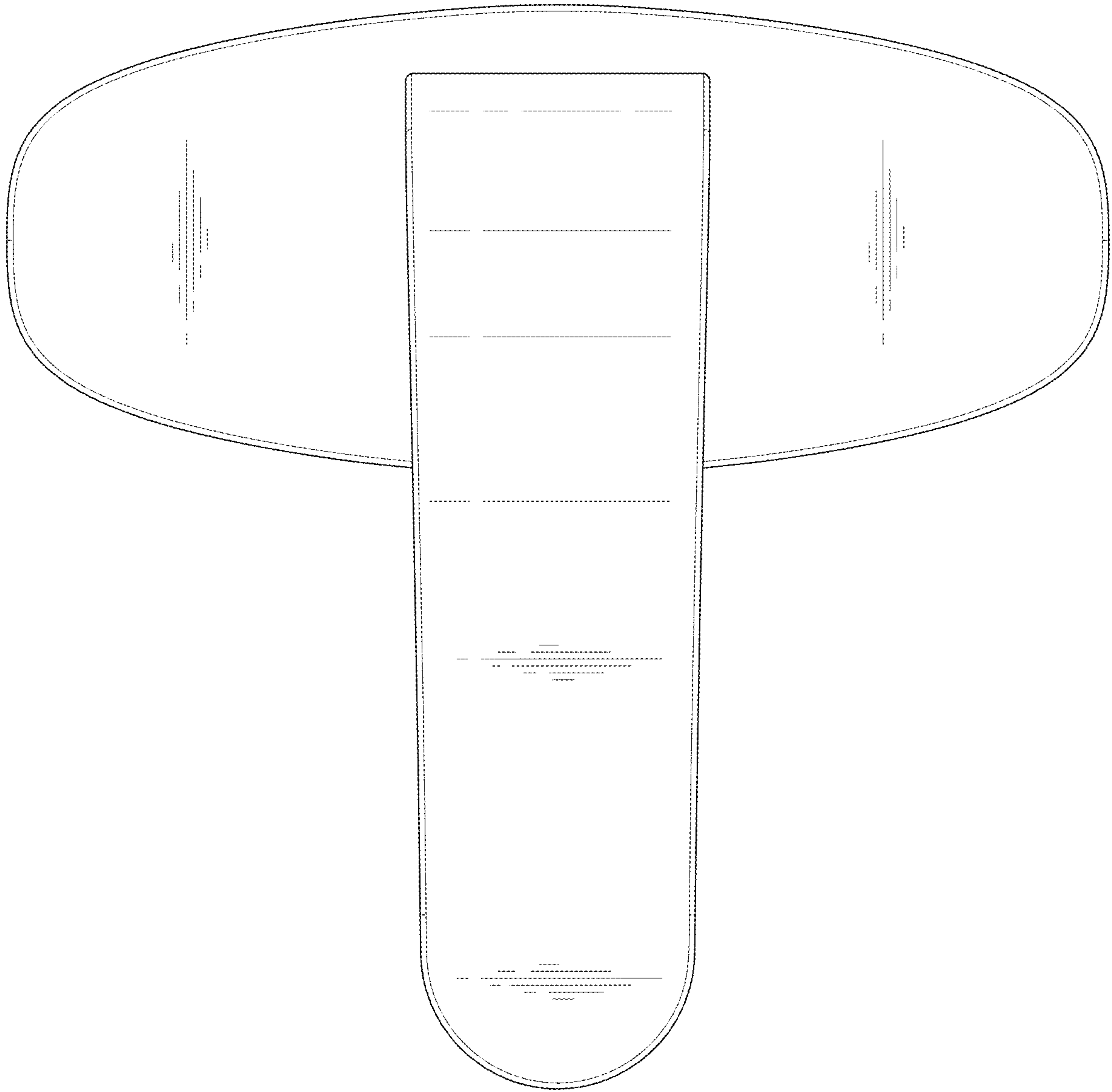


FIG. 7

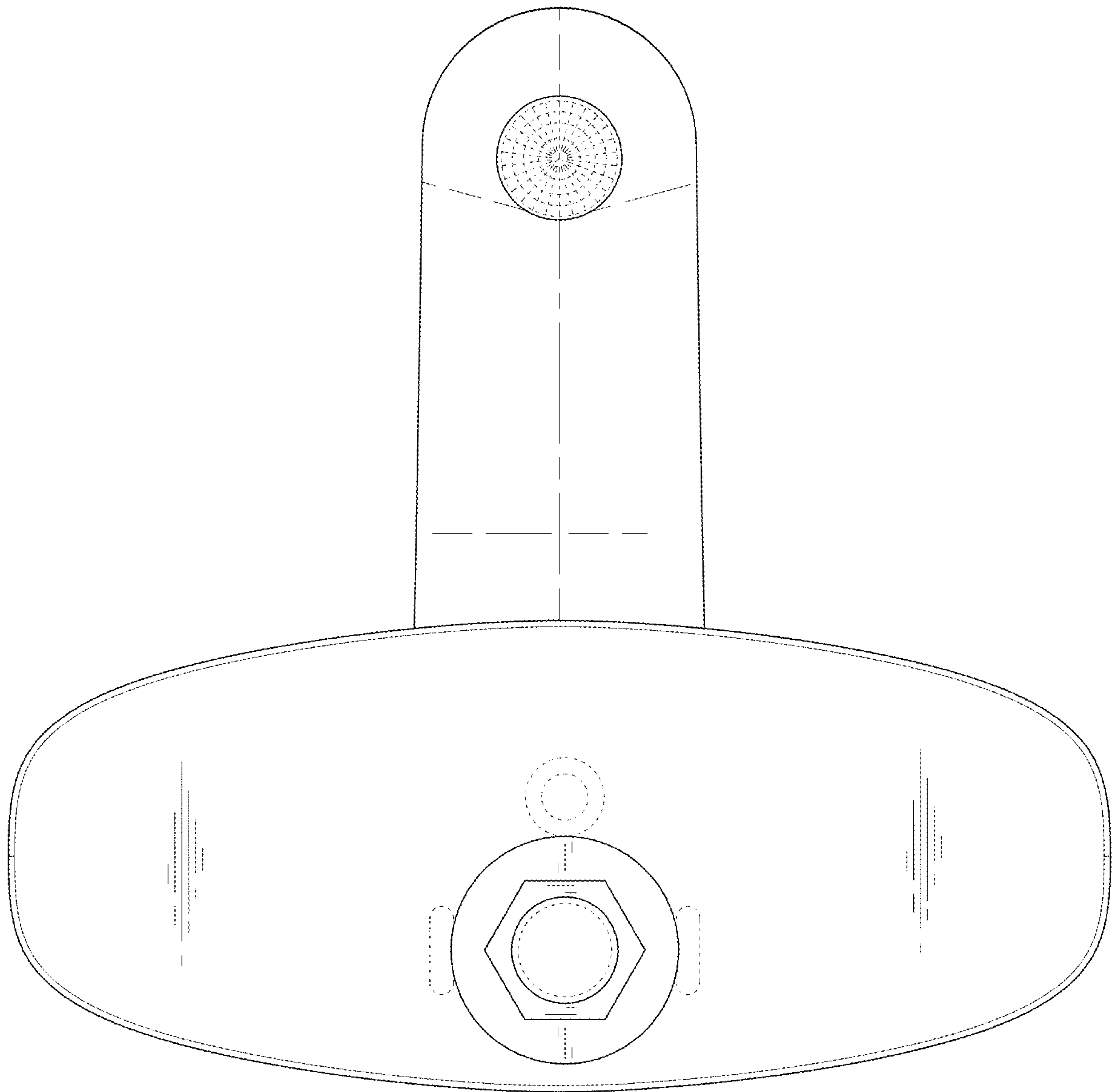


FIG. 8