



US00D931983S

(12) **United States Design Patent** (10) **Patent No.:** **US D931,983 S**
Engler et al. (45) **Date of Patent:** **** Sep. 28, 2021**

(54) **INFLATABLE SPRINKLER**
(71) Applicant: **P&P IMPORTS LLC**, Irvine, CA (US)
(72) Inventors: **Peter Engler**, Newport Beach, CA (US); **Peter Tanoury**, Newport Beach, CA (US); **Sean Kyne**, Dana Point, CA (US)

(**) Term: **15 Years**

(21) Appl. No.: **29/727,400**

(22) Filed: **Mar. 10, 2020**

(51) **LOC (13) Cl.** **23-01**

(52) **U.S. Cl.**
USPC **D23/222**

(58) **Field of Classification Search**
USPC D23/213, 214, 215, 222, 223, 224, 226, D23/229, 230, 256; D21/619
CPC A61H 9/0021; A61H 33/00; B05B 1/00; B05B 1/14; B05B 1/185; B05B 1/08; B05B 1/02; B05B 1/26; B05B 12/002; B05B 1/18; B05B 9/01
See application file for complete search history.

(56) **References Cited**

U.S. PATENT DOCUMENTS

D328,620 S	*	8/1992	Maple	D21/483
D631,134 S	*	1/2011	German	D23/234
D844,115 S	*	3/2019	Burton	D23/256
D847,948 S	*	5/2019	Goerd	D23/215
D852,331 S	*	6/2019	Burton	D23/256
D852,332 S	*	6/2019	Burton	D23/256

OTHER PUBLICATIONS

Fire Hydrant Drink Dispenser, Dec. 13, 2015, Amazon.com, Jul. 29, 2021, URL: <https://www.amazon.com/Fun-Express-Dispenser-Birthday-Drinkware/dp/B00TU75HFW> (Year: 2015).*

Matty's Toy Stop Henry The Hydrant Water Sprinkler for Kids, Aug. 25, 2018, Amazon.com, Jul. 29, 2021, URL: <https://www.amazon.com/dp/B07DF37FBK> (Year: 2018).*
Fun Hydrant Sprinkler, Jan. 1, 1991, thisoldtoy.com, Jul. 29, 2021, URL: http://www.thisoldtoy.com/1_fp_set/toy-pages/2000-2499/2026-funhydrantsprinkler.html (Year: 1991).*

* cited by examiner

Primary Examiner — Jack Reickel
Assistant Examiner — Keith J Wilson
(74) *Attorney, Agent, or Firm* — Casey H. Kempner; Siamak S. Hefazi

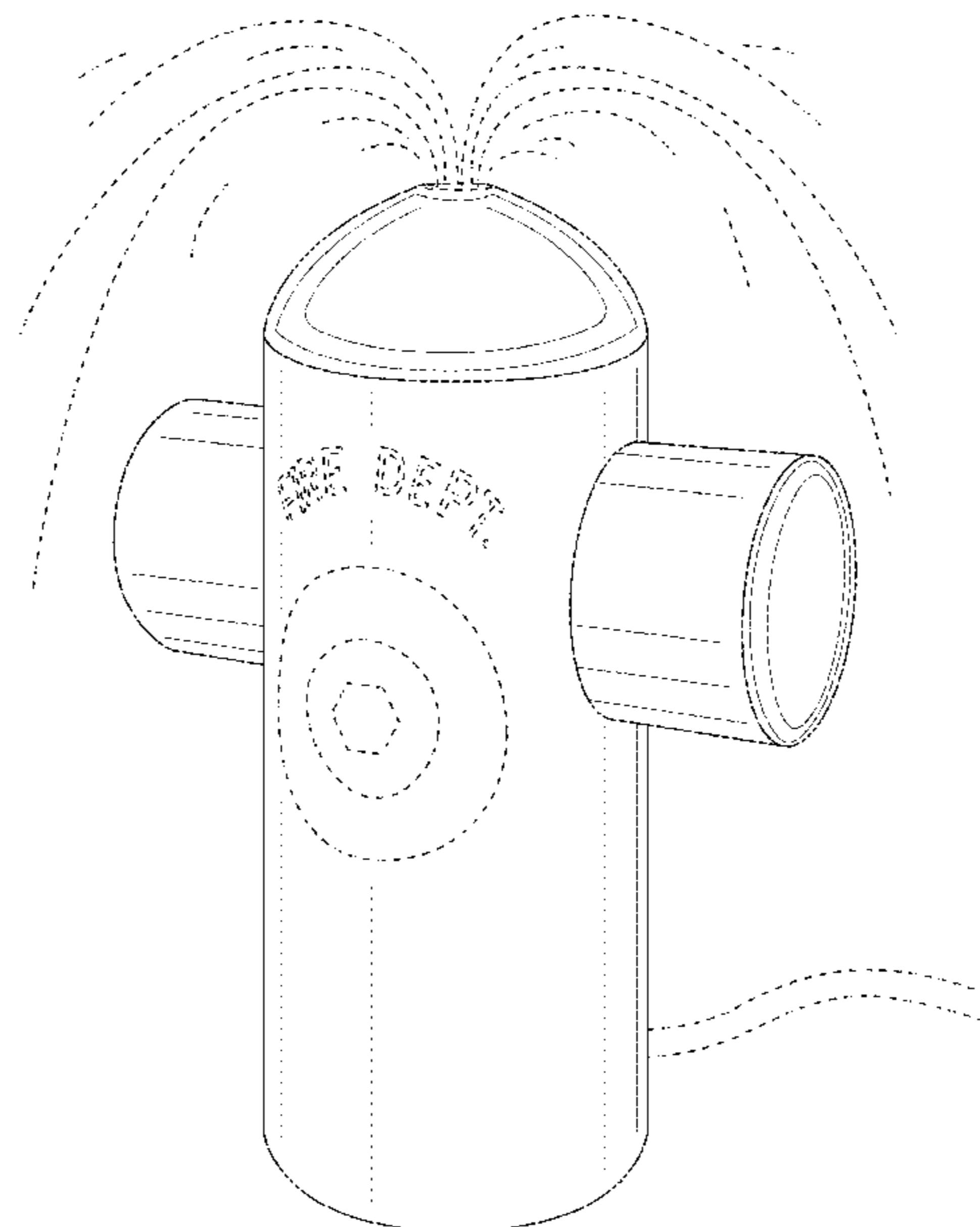
(57) **CLAIM**

The ornamental design for an inflatable sprinkler, as shown and described.

DESCRIPTION

FIG. 1 is a perspective view of an inflatable sprinkler showing the claimed design.
FIG. 2 is a perspective view of the inflatable sprinkler shown in FIG. 1.
FIG. 3 is a front view of the inflatable sprinkler shown in FIG. 1.
FIG. 4 is a back view of the inflatable sprinkler shown in FIG. 1.
FIG. 5 is a right-side view of the inflatable sprinkler shown in FIG. 1.
FIG. 6 is a left-side view of the inflatable sprinkler shown in FIG. 1.
FIG. 7 is a top view of the inflatable sprinkler shown in FIG. 1; and,
FIG. 8 is a bottom view of the inflatable sprinkler shown in FIG. 1.
The broken lines in the figures show portions of the inflatable sprinkler that form no part of the claimed design.

1 Claim, 8 Drawing Sheets



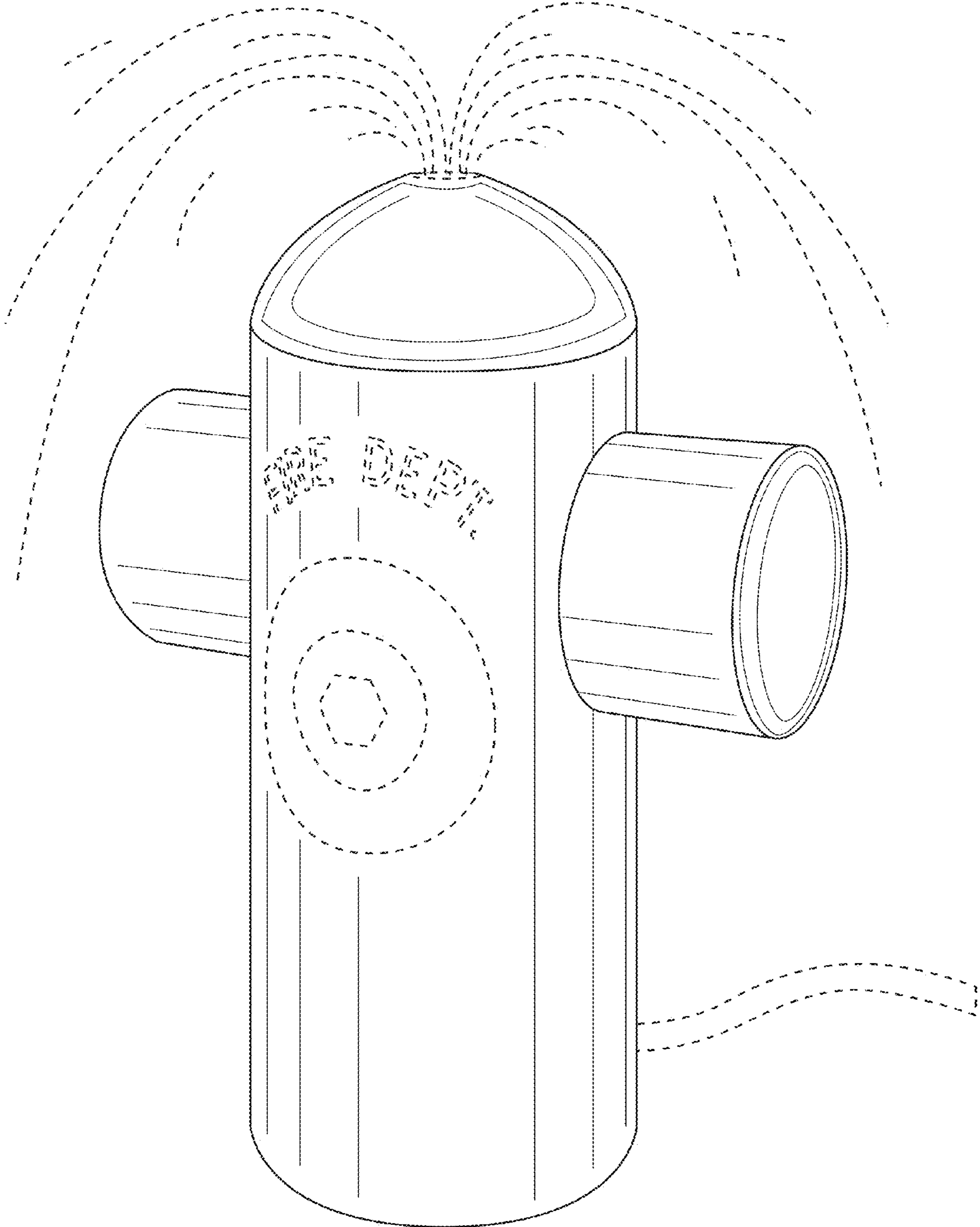


FIG. 1

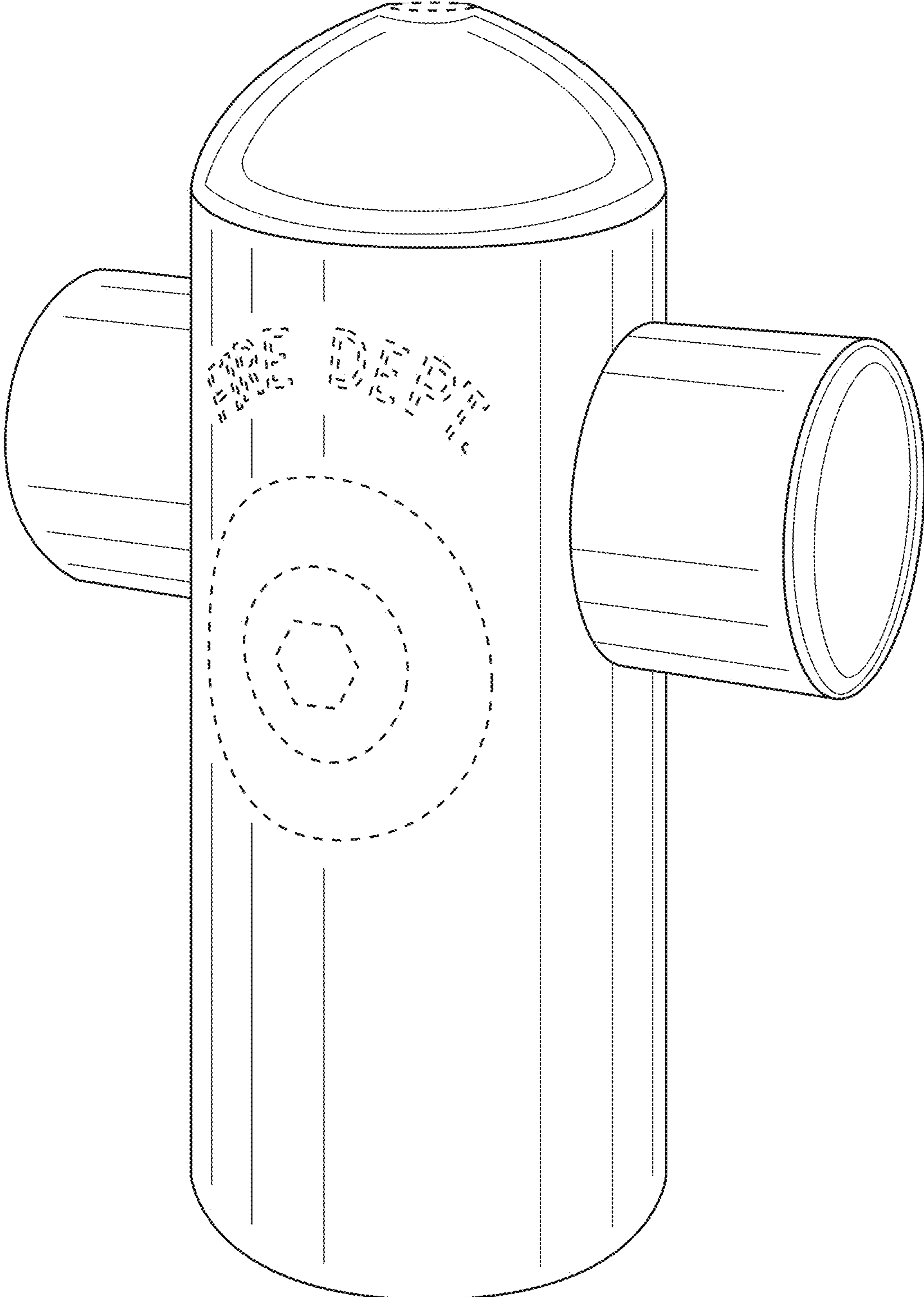


FIG. 2

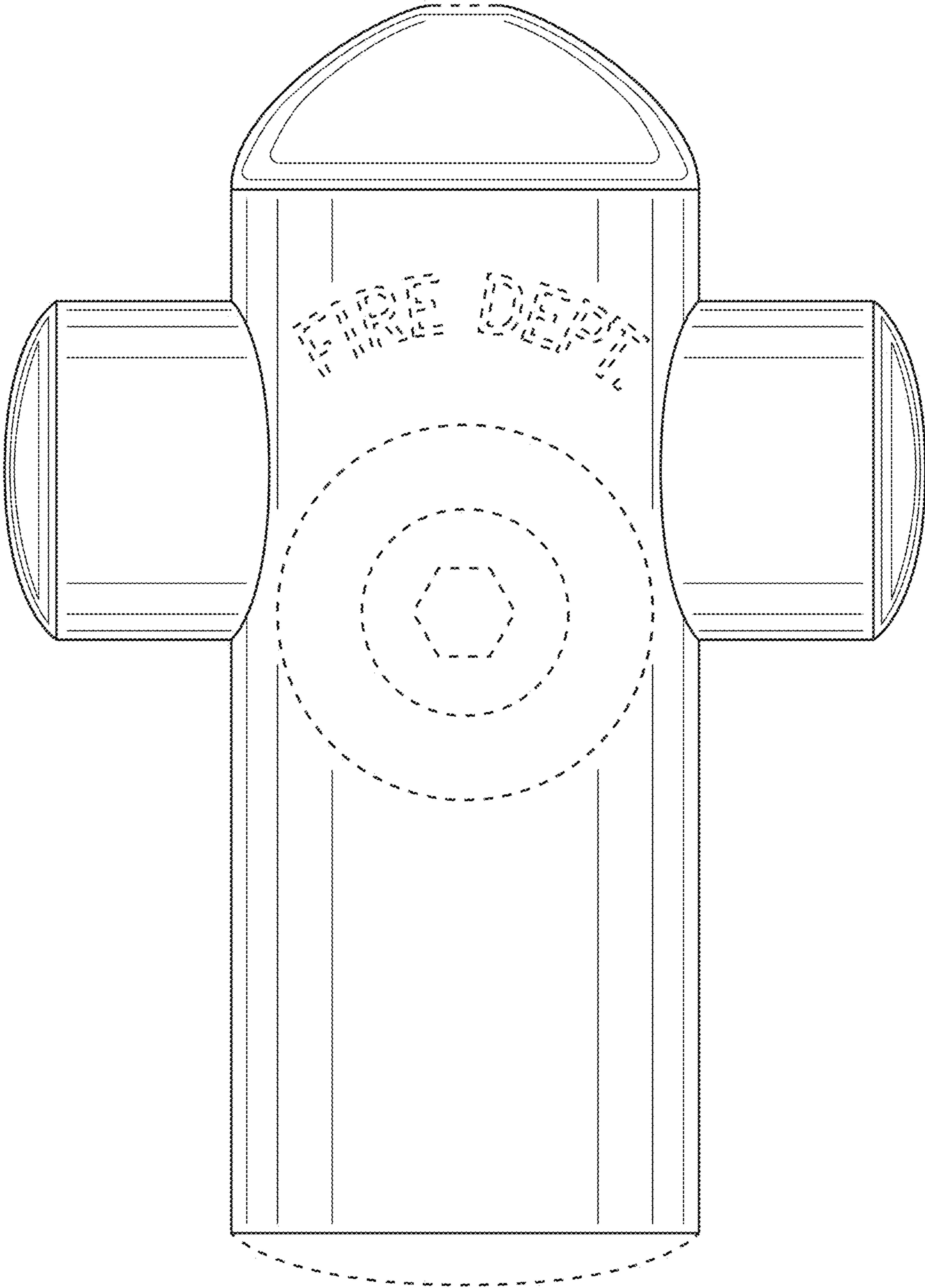


FIG. 3

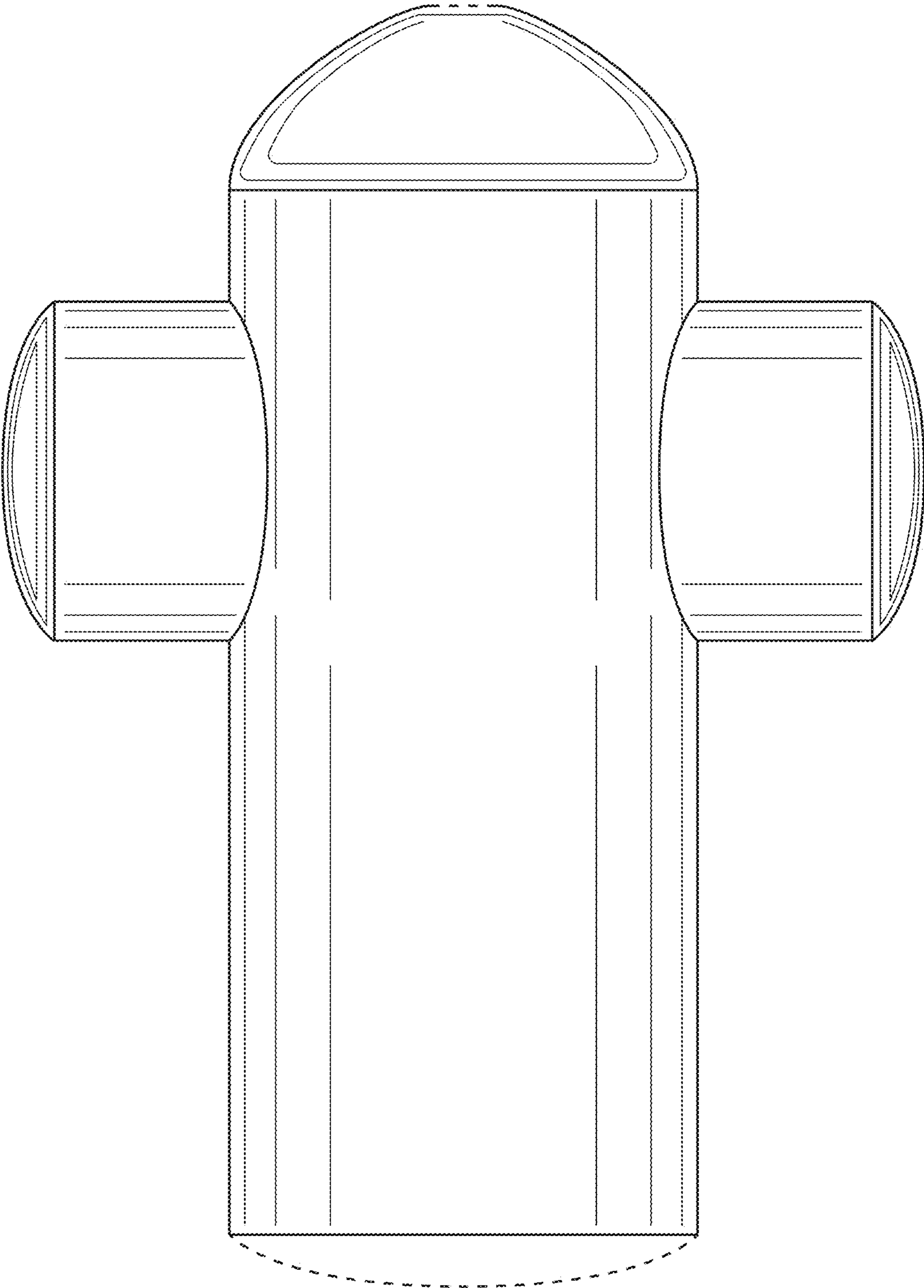


FIG. 4

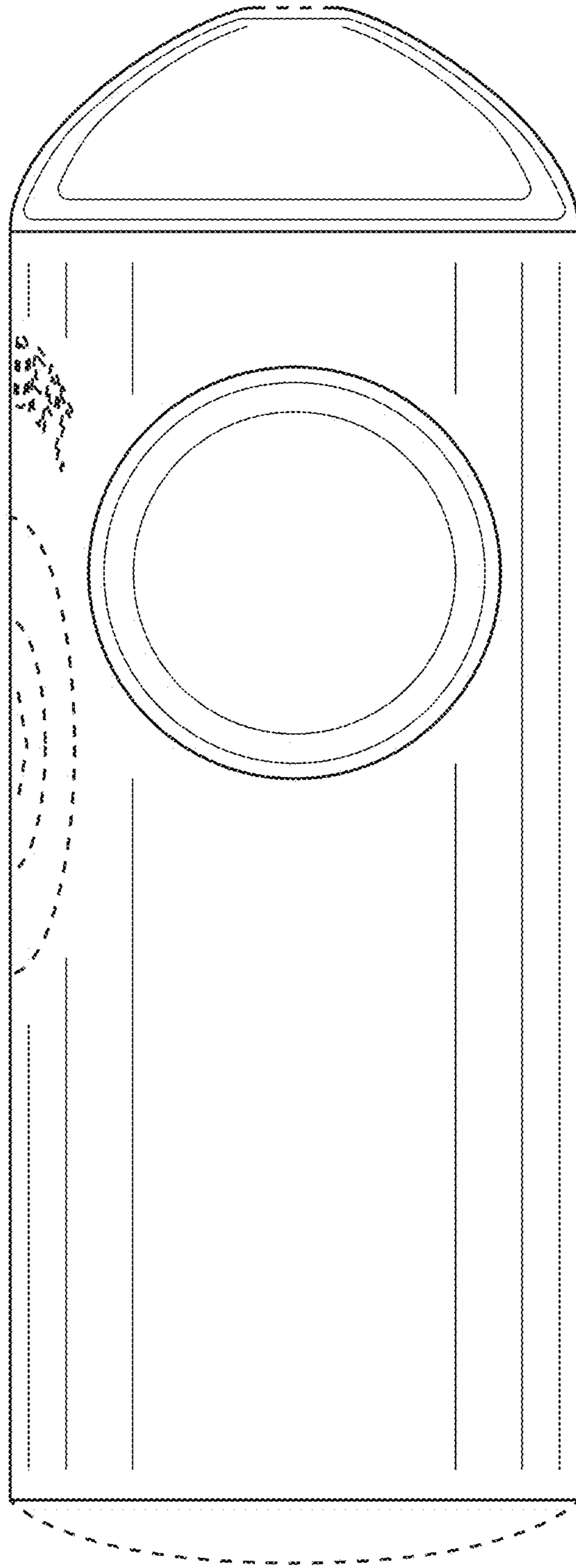


FIG. 5

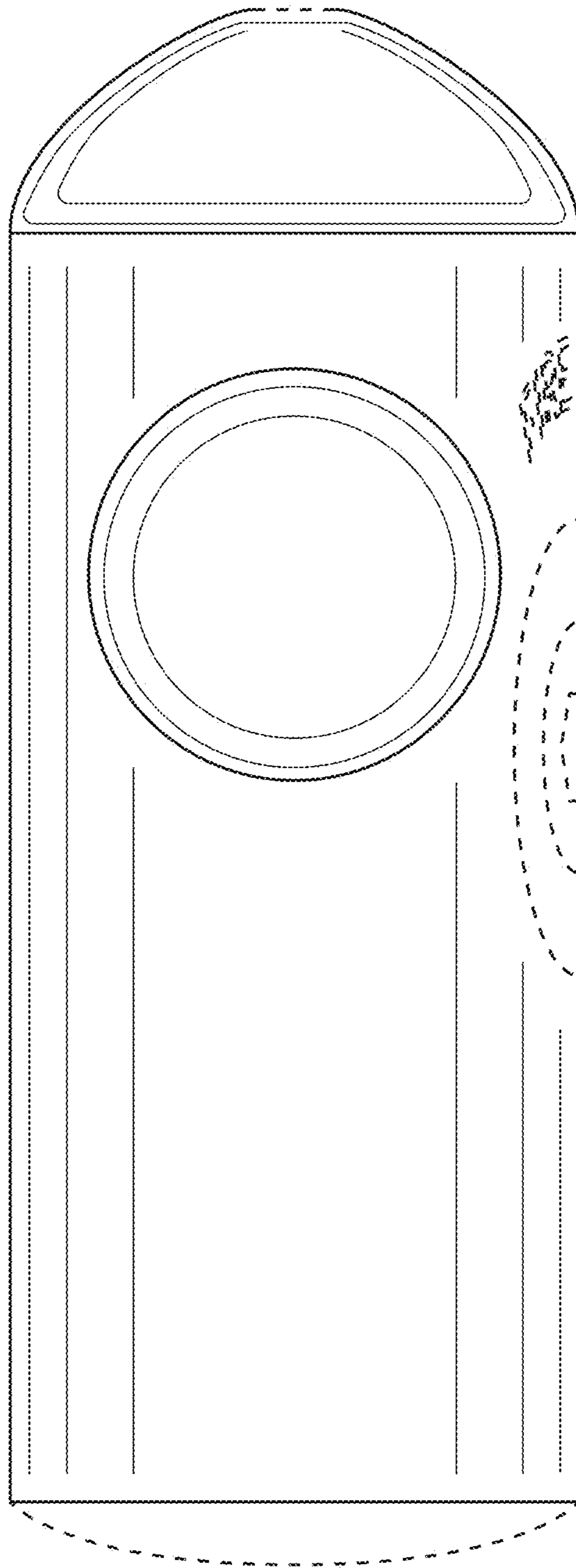


FIG. 6

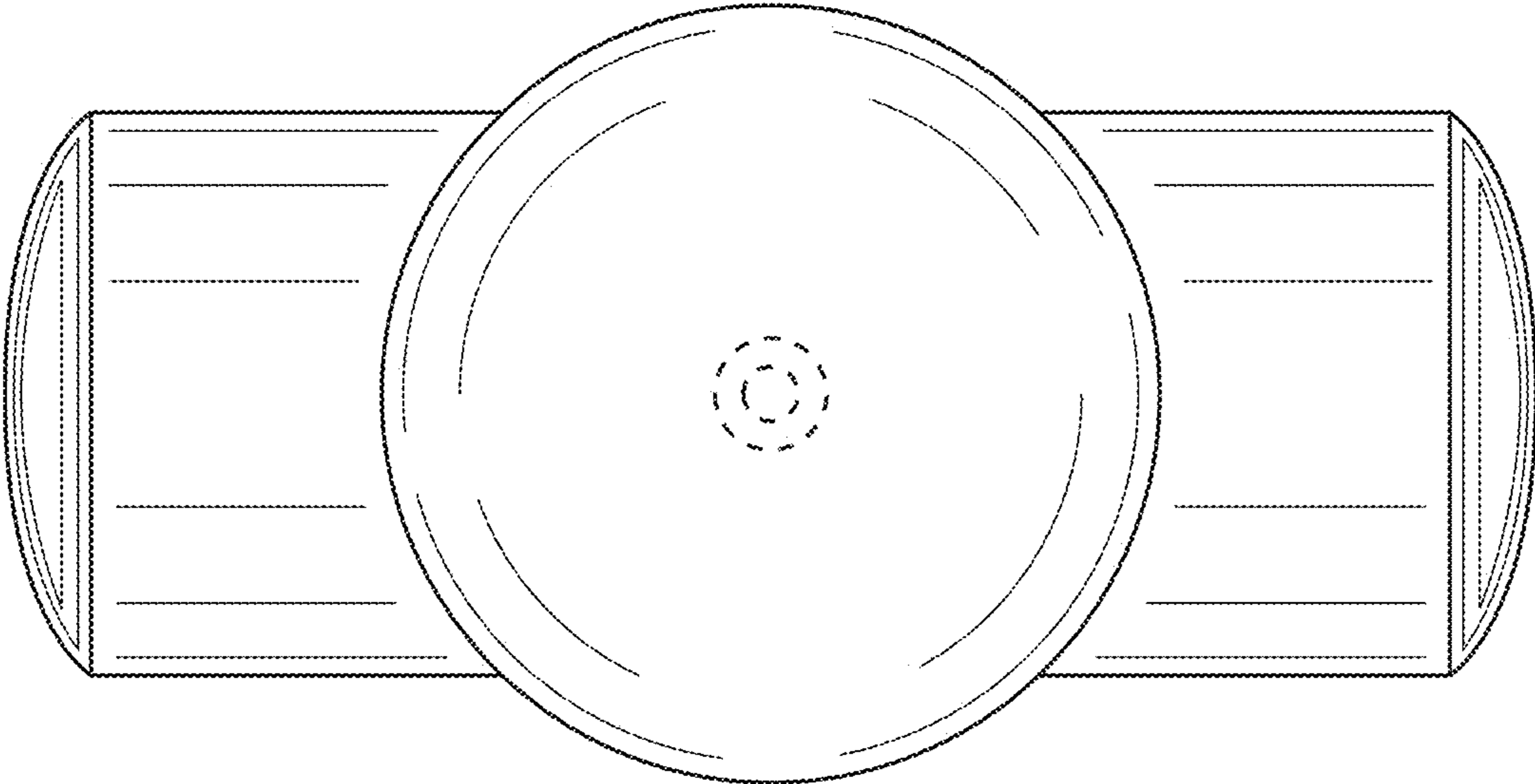


FIG. 7

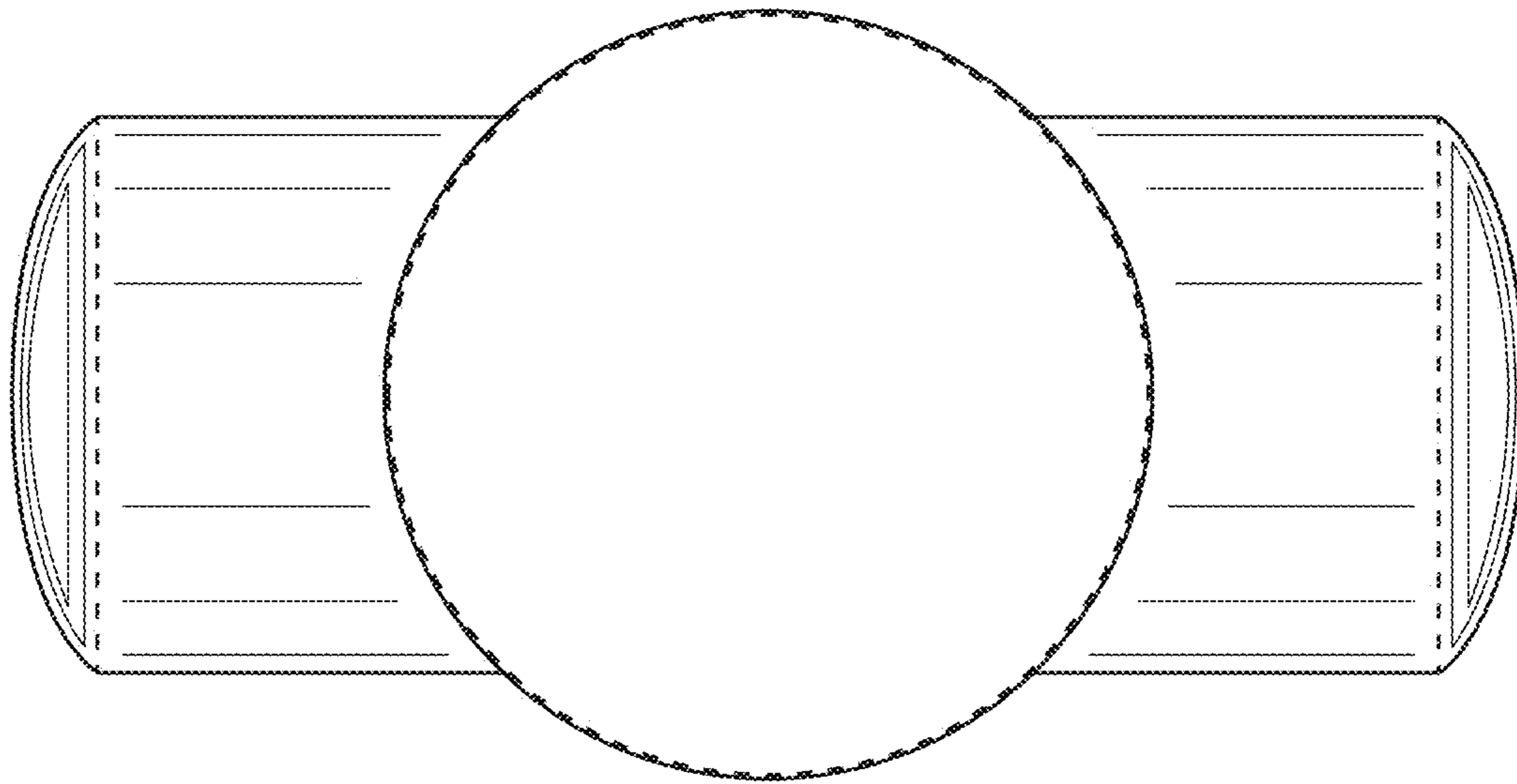


FIG. 8