



US00D931982S

(12) **United States Design Patent** (10) **Patent No.:** **US D931,982 S**  
**Engler et al.** (45) **Date of Patent:** **\*\* Sep. 28, 2021**

(54) **INFLATABLE SPRINKLER**

(71) Applicant: **P&P IMPORTS LLC**, Irvine, CA (US)  
(72) Inventors: **Peter Engler**, Newport Beach, CA (US); **Peter Tanoury**, Newport Beach, CA (US); **Sean Kyne**, Dana Point, CA (US)

(\*\*) Term: **15 Years**

(21) Appl. No.: **29/727,399**

(22) Filed: **Mar. 10, 2020**

(51) **LOC (13) Cl.** ..... **23-01**

(52) **U.S. Cl.**  
USPC ..... **D23/222**

(58) **Field of Classification Search**  
USPC ..... D23/213, 214, 215, 222, 223, 224, 226, D23/229, 230, 256; D21/619  
CPC ..... A61H 9/0021; A61H 33/00; B05B 1/00; B05B 1/14; B05B 1/185; B05B 1/08; B05B 1/02; B05B 1/26; B05B 12/002; B05B 1/18; B05B 9/01

See application file for complete search history.

(56) **References Cited**

**U.S. PATENT DOCUMENTS**

D282,248 S *	1/1986	Carbajales Santa-Eulalia	.....	D11/158
D291,716 S *	9/1987	Wolfe	.....	D21/619
D388,479 S *	12/1997	Allegre	.....	D21/619
D541,355 S *	4/2007	Strasbach	.....	D21/619
D601,209 S *	9/2009	Visser	.....	D21/619
D625,781 S *	10/2010	Ruckelshausen	.....	D23/256
D673,229 S *	12/2012	Ent	.....	D21/619
D865,073 S *	10/2019	Weisman	.....	D21/473
D920,474 S *	5/2021	Fu	.....	D23/222

**OTHER PUBLICATIONS**

SimpliCute Stuffed Giraffe Plush, Mar. 26, 2021, Amazon.com, Jul. 28, 2021.URL: <https://www.amazon.com/dp/B08TQKHZCZ> (Year: 2021).\*  
Jehlani The Giraffe—18 Inch Stuffed Animal Plush, Dec. 10, 2017, Amazon.com, Jul. 28, 2021.URL: <https://www.amazon.com/VIAHART-Jehlani-Giraffe-Stuffed-Animal/dp/B06XJ9D524> (Year: 2017).\*

(Continued)

*Primary Examiner* — Jack Reickel  
*Assistant Examiner* — Keith J Wilson  
(74) *Attorney, Agent, or Firm* — Casey H. Kempner; Siamak S. Hefazi

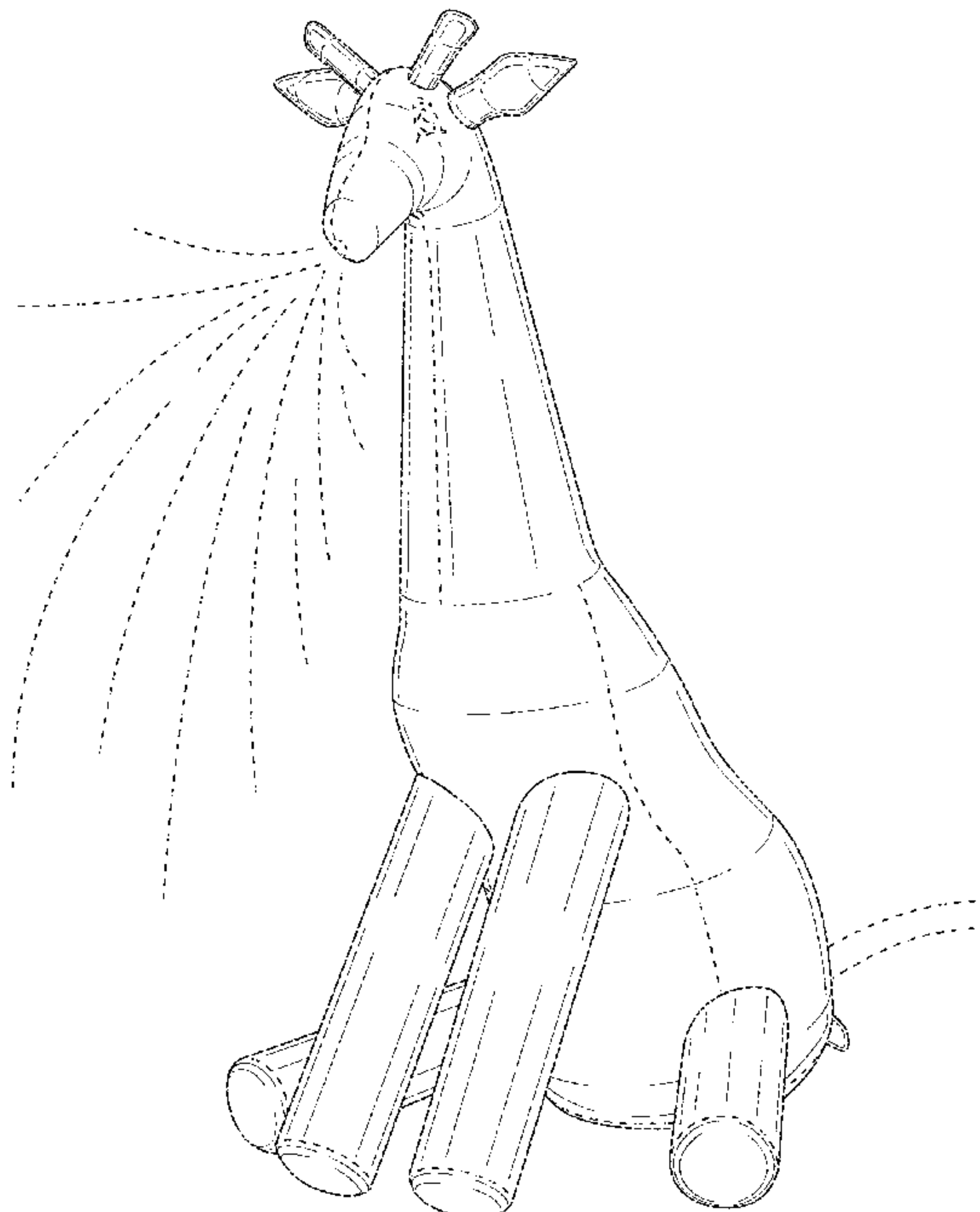
(57) **CLAIM**

The ornamental design for an inflatable sprinkler, as shown and described.

**DESCRIPTION**

FIG. 1 is a perspective view of an inflatable sprinkler showing the claimed design.  
FIG. 2 is a perspective view of the inflatable sprinkler shown in FIG. 1.  
FIG. 3 is a right-side view of the inflatable sprinkler shown in FIG. 1, the left-side view being a mirror image thereof.  
FIG. 4 is a front view of the inflatable sprinkler shown in FIG. 1.  
FIG. 5 is a back view of the inflatable sprinkler shown in FIG. 1.  
FIG. 6 is a bottom view of the inflatable sprinkler shown in FIG. 1; and,  
FIG. 7 is a top view of the inflatable sprinkler shown in FIG. 1.  
The broken lines in the figures show portions of the inflatable sprinkler that form no part of the claimed design.

**1 Claim, 7 Drawing Sheets**



(56)

**References Cited**

OTHER PUBLICATIONS

Aurora World Aurora—Destination—15" Giraffe, May 19, 2014, Amazon.com, Jul. 28, 2021.URL: <https://www.amazon.com/Aurora-World-Destination-Nation-Giraffe/dp/B00B90OP38> (Year: 2014).\*

JOYIN 48" Inflatable Unicorn Yard Sprinkler, Inflatable Water Toy, Mar. 15, 2019, Amazon.com, Aug. 4, 2021.URL: <https://www.amazon.com/dp/B07NNVMF9B> (Year: 2019).\*

\* cited by examiner

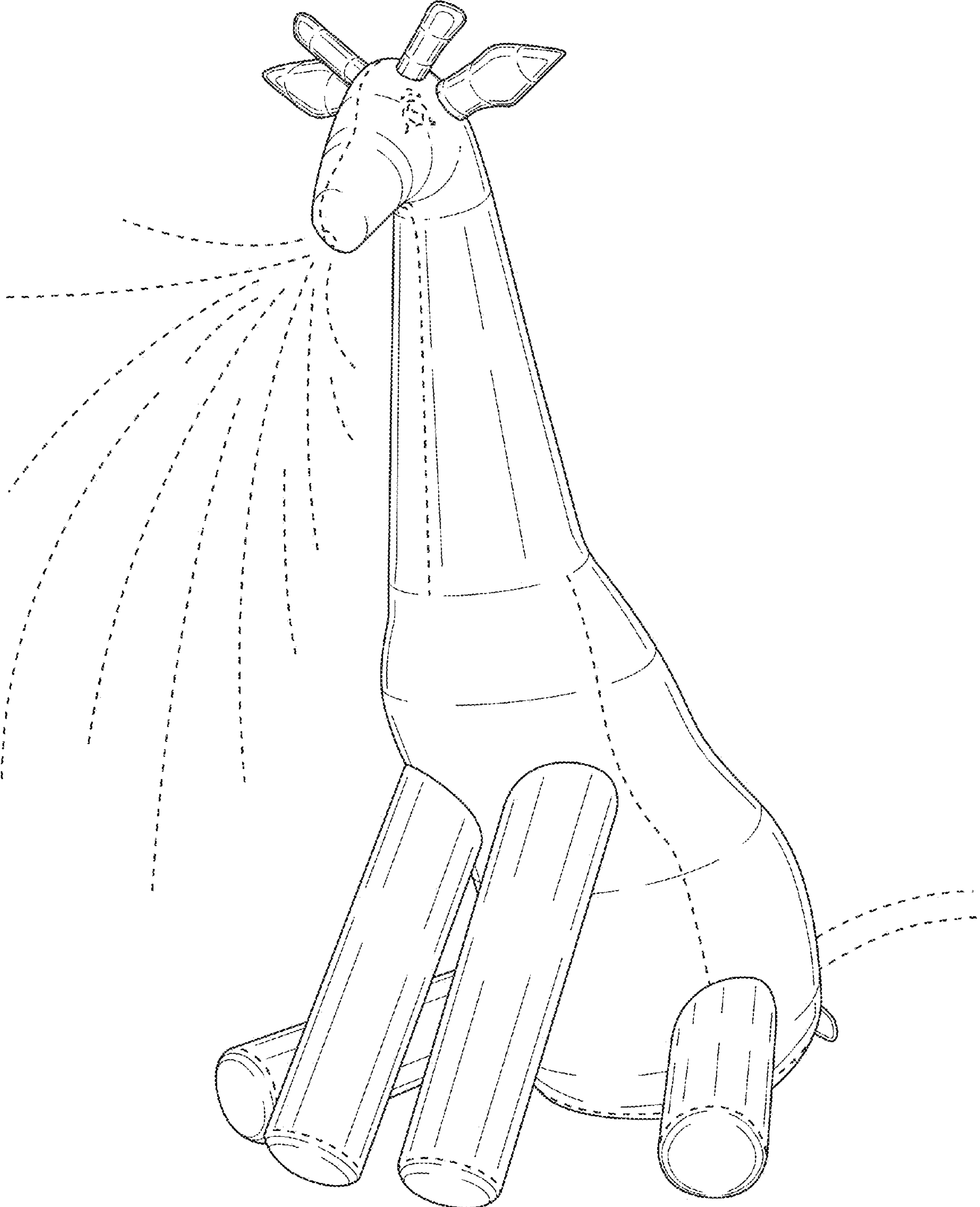


FIG. 1

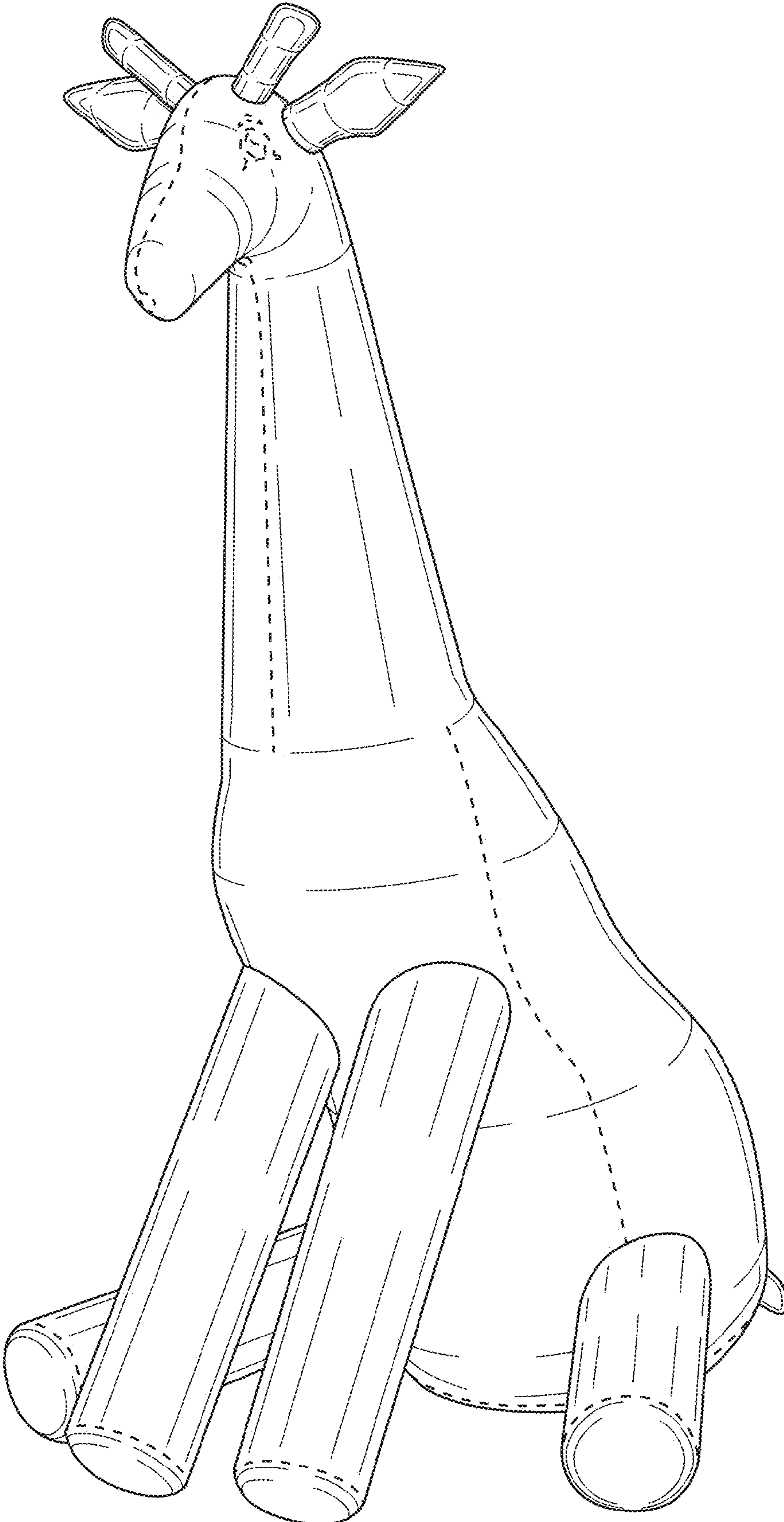


FIG. 2



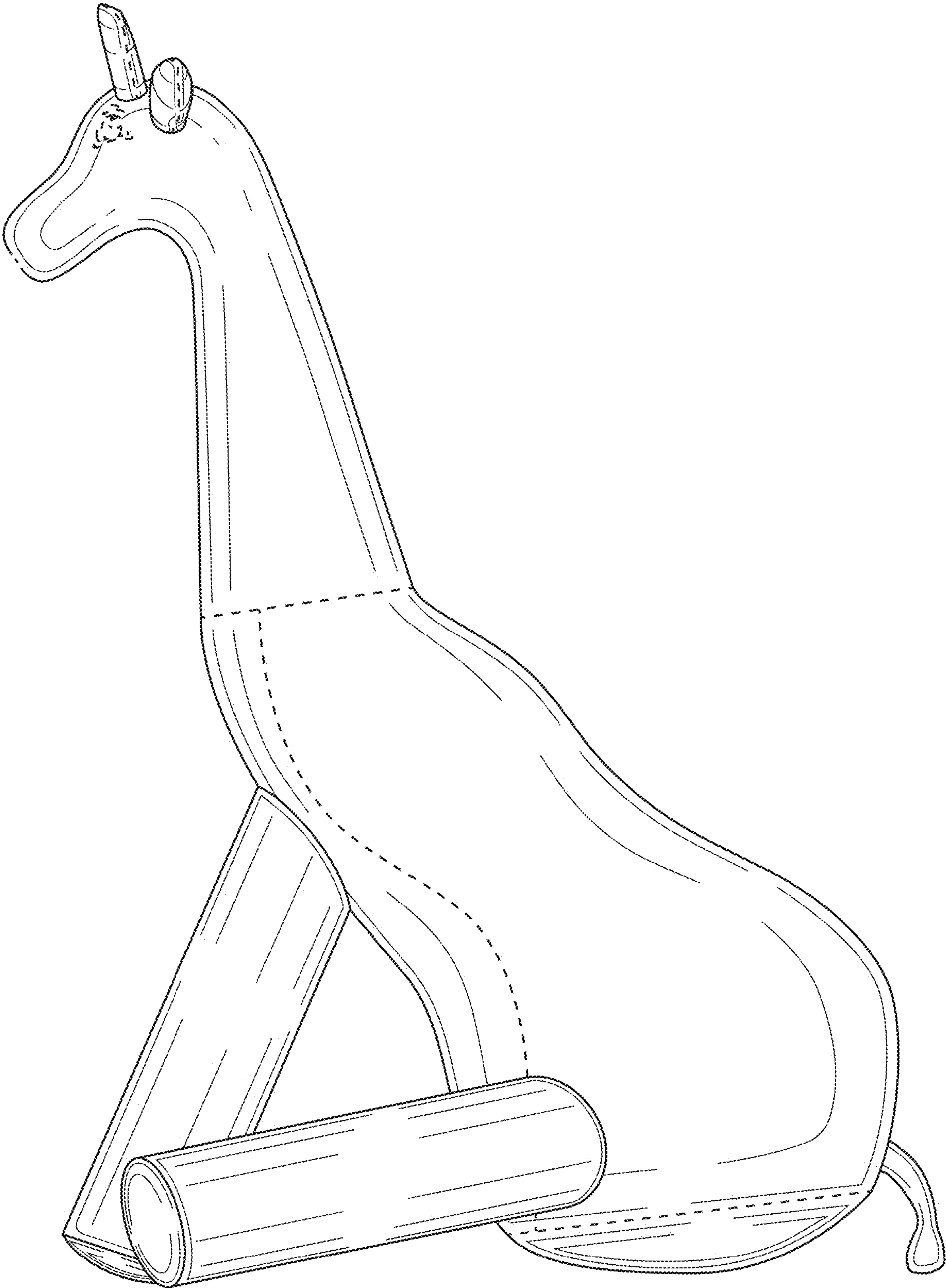


FIG. 3

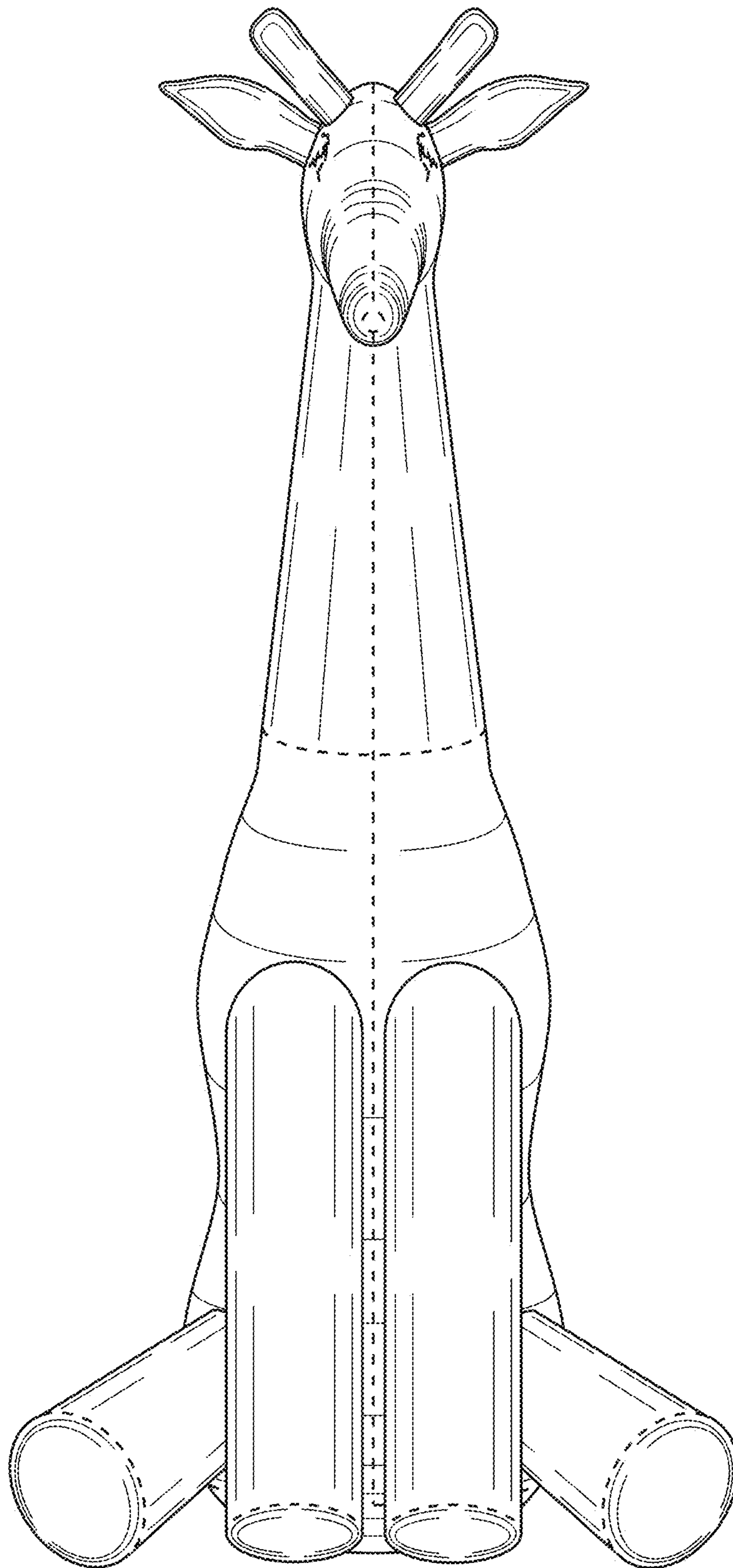


FIG. 4

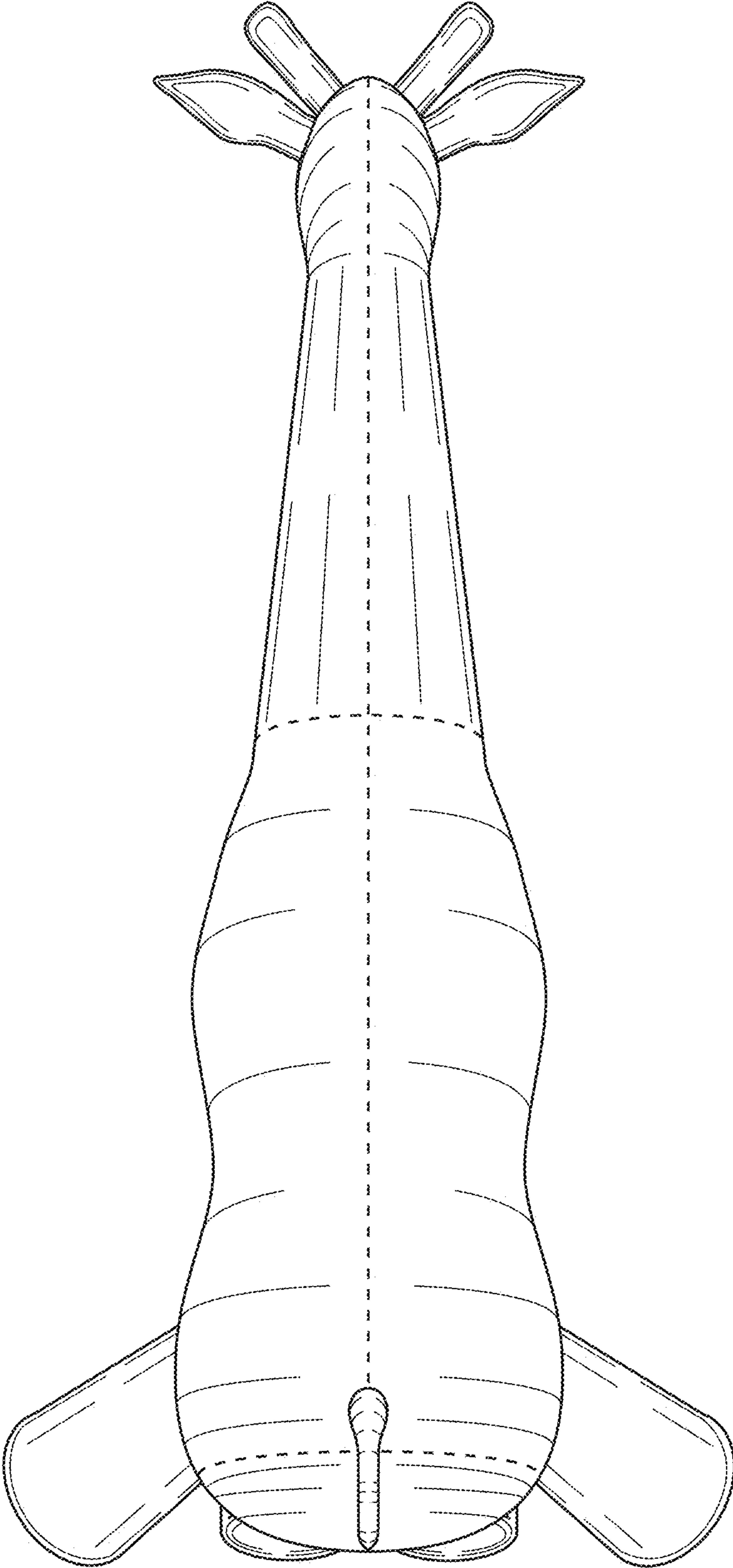


FIG. 5

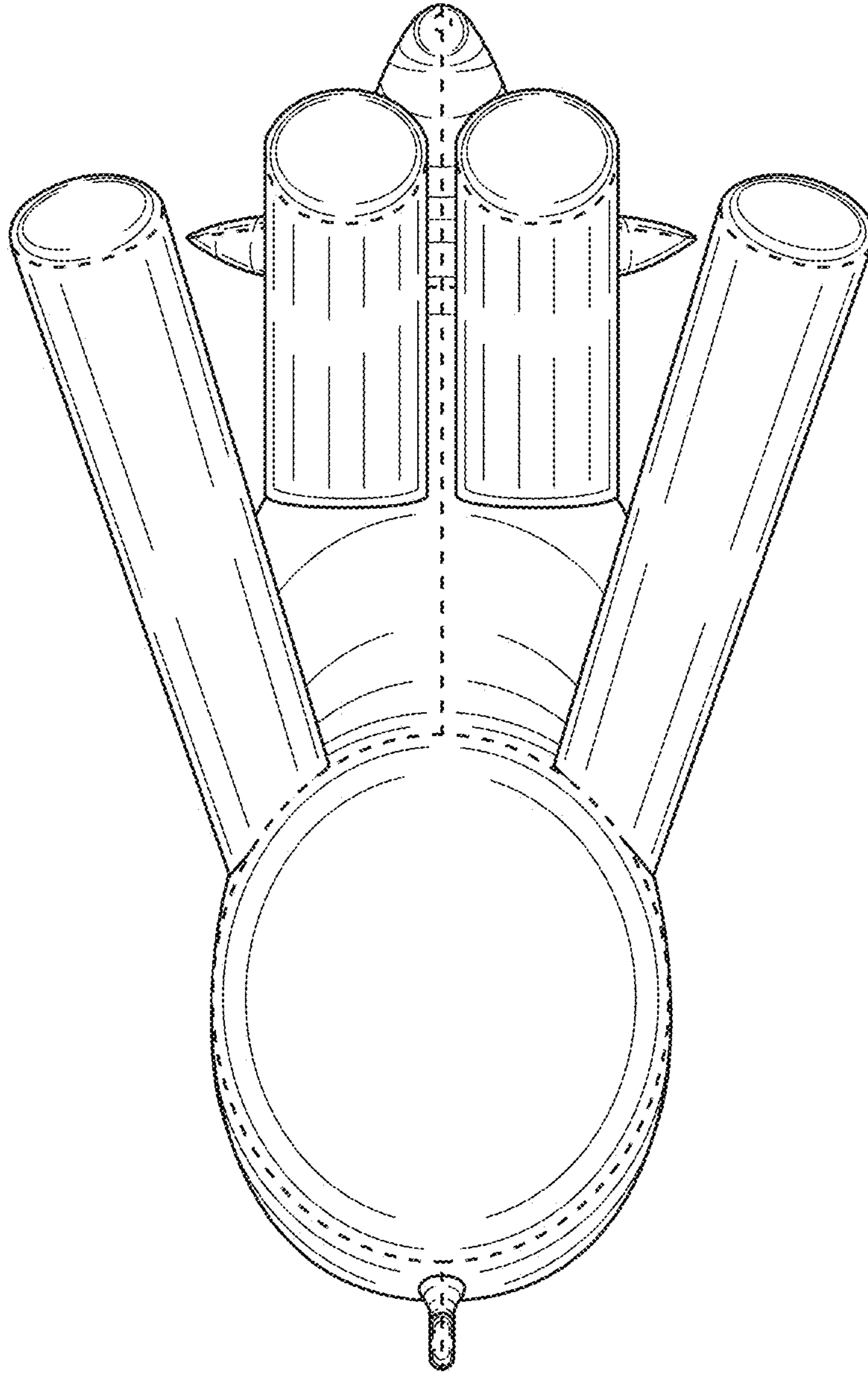


FIG. 6



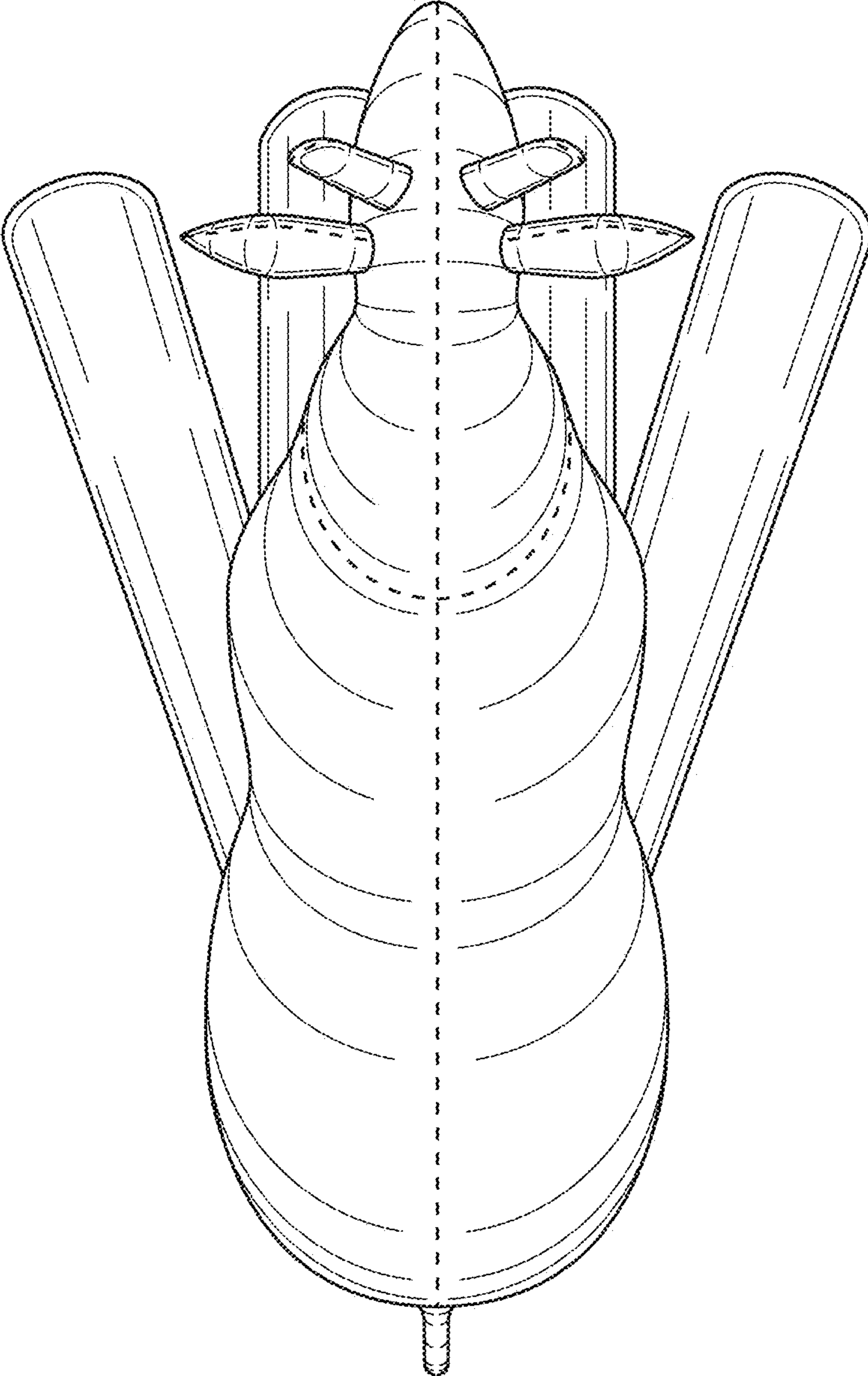


FIG. 7