



US00D931981S

(12) **United States Design Patent** (10) **Patent No.:** **US D931,981 S**
Li (45) **Date of Patent:** **** Sep. 28, 2021**

(54) **SOLAR SPRINKLER**

(71) Applicant: **Zhengping Li**, Shenzhen (CN)

(72) Inventor: **Zhengping Li**, Shenzhen (CN)

(**) Term: **15 Years**

(21) Appl. No.: **29/738,195**

(22) Filed: **Jun. 16, 2020**

(51) **LOC (13) Cl.** **23-01**

(52) **U.S. Cl.**
USPC **D23/215**

(58) **Field of Classification Search**
USPC D23/213, 214, 215, 222, 223, 224, 226,
D23/229, 230

CPC A61H 9/0021; A61H 33/00; B05B 1/00;
B05B 1/14; B05B 1/185; B05B 1/08;
B05B 1/02; B05B 1/26; B05B 12/002;
B05B 1/18; B05B 9/01

See application file for complete search history.

(56) **References Cited**

U.S. PATENT DOCUMENTS

D317,332 S *	6/1991	Williams	D21/483
D329,488 S *	9/1992	Santagada	D23/213
D414,245 S *	9/1999	Watson	D23/215
D610,227 S *	2/2010	Hunter	D23/222
D732,645 S *	6/2015	Beall	D23/267
D737,414 S *	8/2015	Beall	D23/267
D810,233 S *	2/2018	Winter	D23/213
D857,114 S *	8/2019	Fontaine	D21/496

OTHER PUBLICATIONS

Grohe Shower Flower, Oct. 6, 2014 <https://www.thewackyduo.com/2014/10/grohe-rainshower-flower-series-flower.html> (Year: 2014).*

Sunflower Shower Head, Oct. 29, 2018, Amazon.com, Aug. 10, 2021. URL: <https://www.amazon.com/Showerhead-Sunflower-shower-pressure-Novelty/dp/B07K13MZCJ> (Year: 2018).*

KinderUP Baby Bath Shower Toy, Jun. 1, 2020, Amazon.com, Aug. 10, 2021. URL: <https://www.amazon.com/Toddlers-Infants-Baby-Bath-Shower-Bathtub-Toy/dp/B07X74Q7H9> (Year: 2020).*

Rodriguez, Eric, "Lotos Flower sprinkler" Jan. 23, 2019, MyMiniFactory, site visited Aug. 11, 2021: <https://www.myminifactory.com/object/3d-print-lotus-flower-sprinkler-66823> (Year: 2019).*

* cited by examiner

Primary Examiner — Jack Reickel

Assistant Examiner — Keith J Wilson

(57) **CLAIM**

The ornamental design for a solar sprinkler, as shown and described.

DESCRIPTION

FIG. 1 is a perspective view of a solar sprinkler showing my new design;

FIG. 2 is another perspective view thereof;

FIG. 3 is a front elevational view thereof;

FIG. 4 is a rear elevational view thereof;

FIG. 5 is a left side elevational view thereof;

FIG. 6 is a right side elevational view thereof;

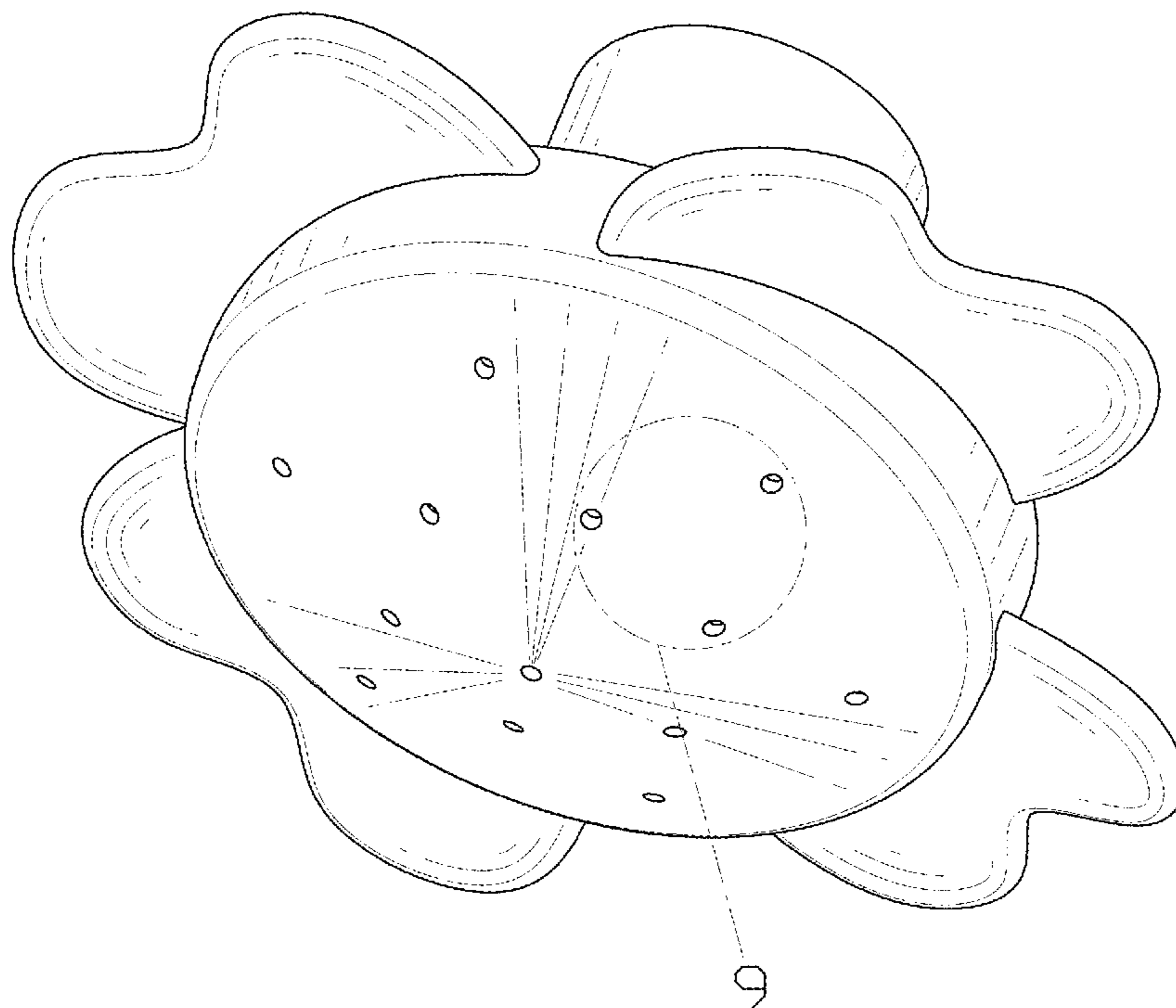
FIG. 7 is a top plan view thereof;

FIG. 8 is a bottom plan view thereof; and,

FIG. 9 is an enlarged view of portion 9 shown in FIG. 1.

The broken lines in the drawings depict portions of the solar sprinkler that form no part of the claimed design.

1 Claim, 9 Drawing Sheets



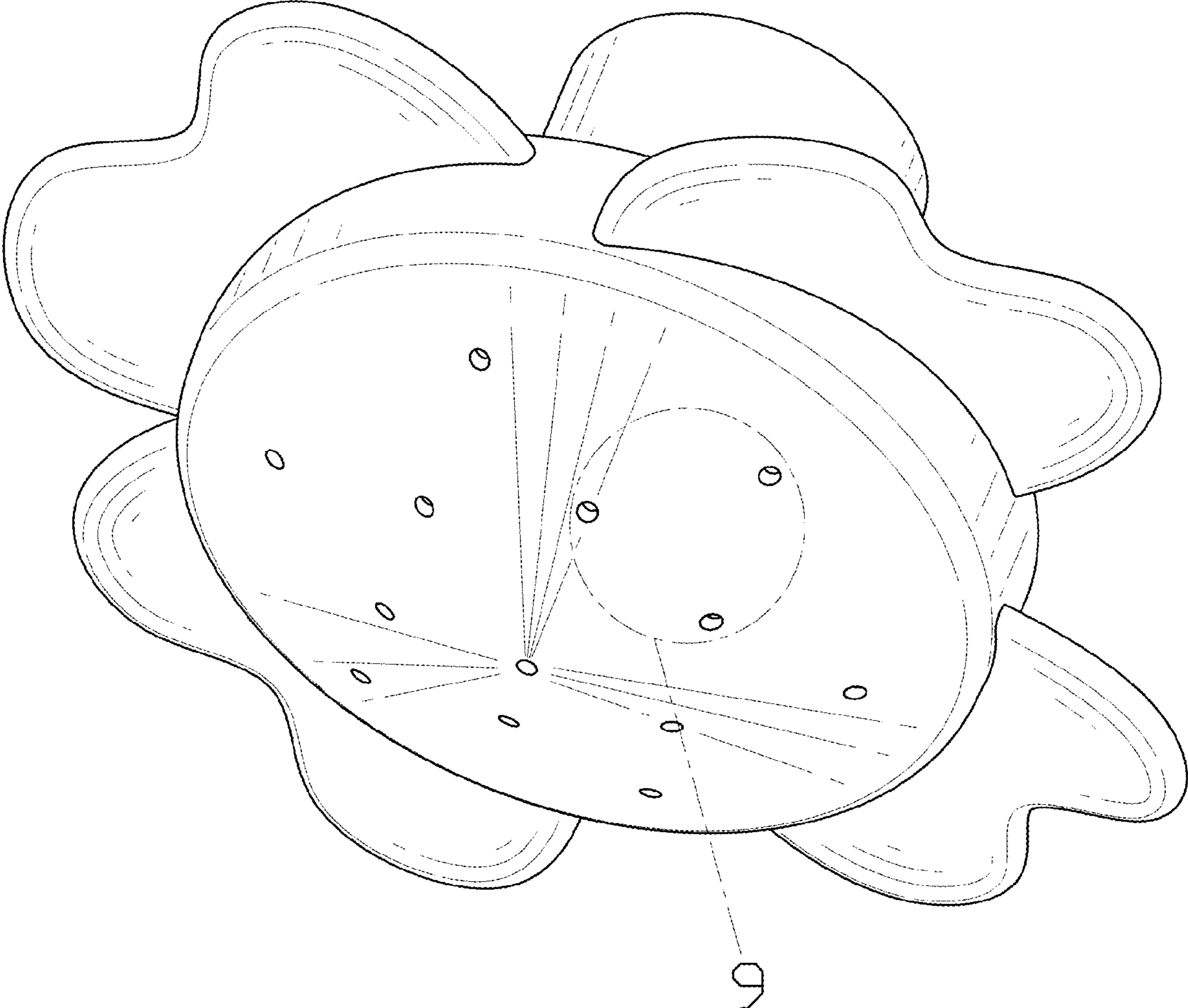


FIG. 1

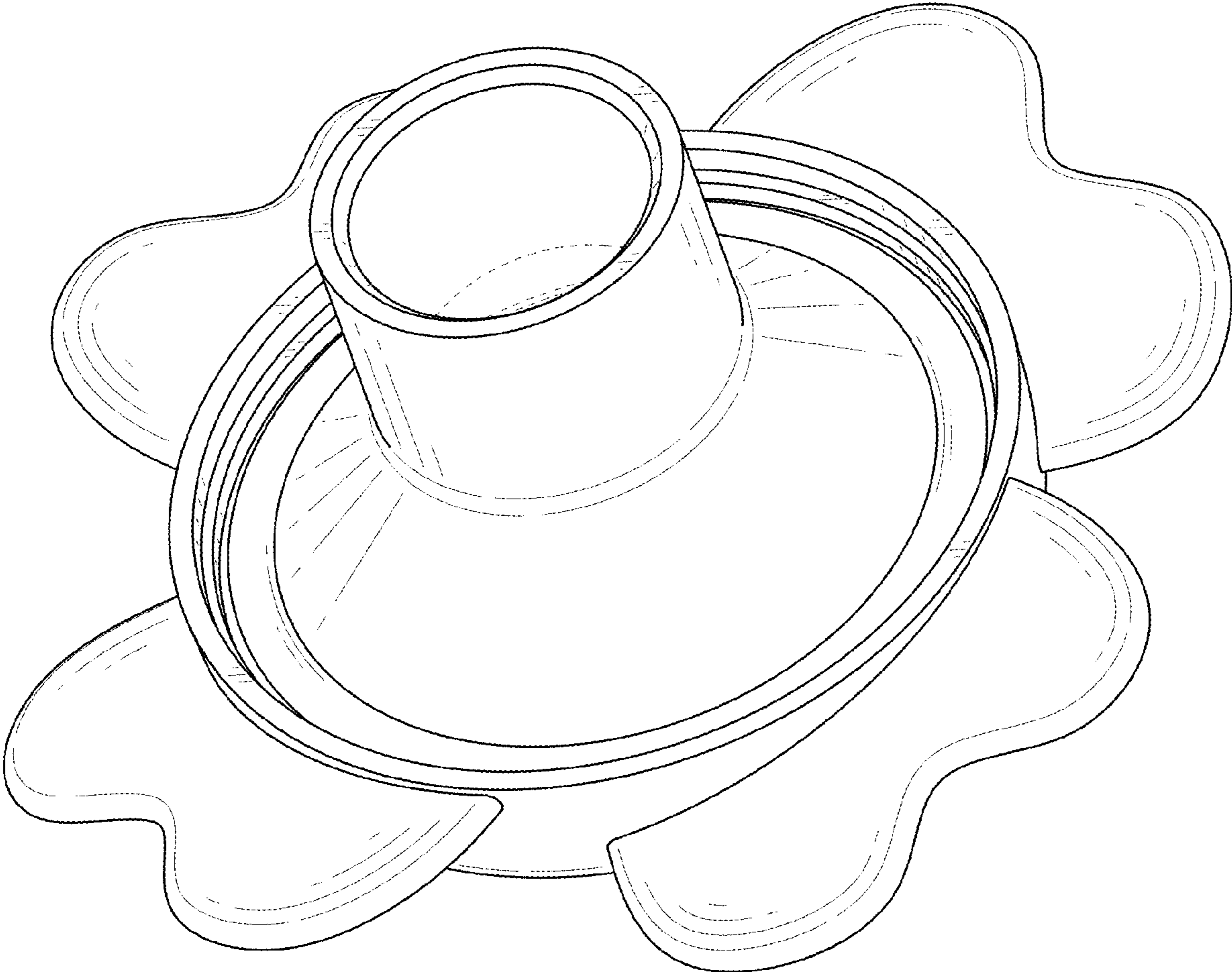


FIG. 2

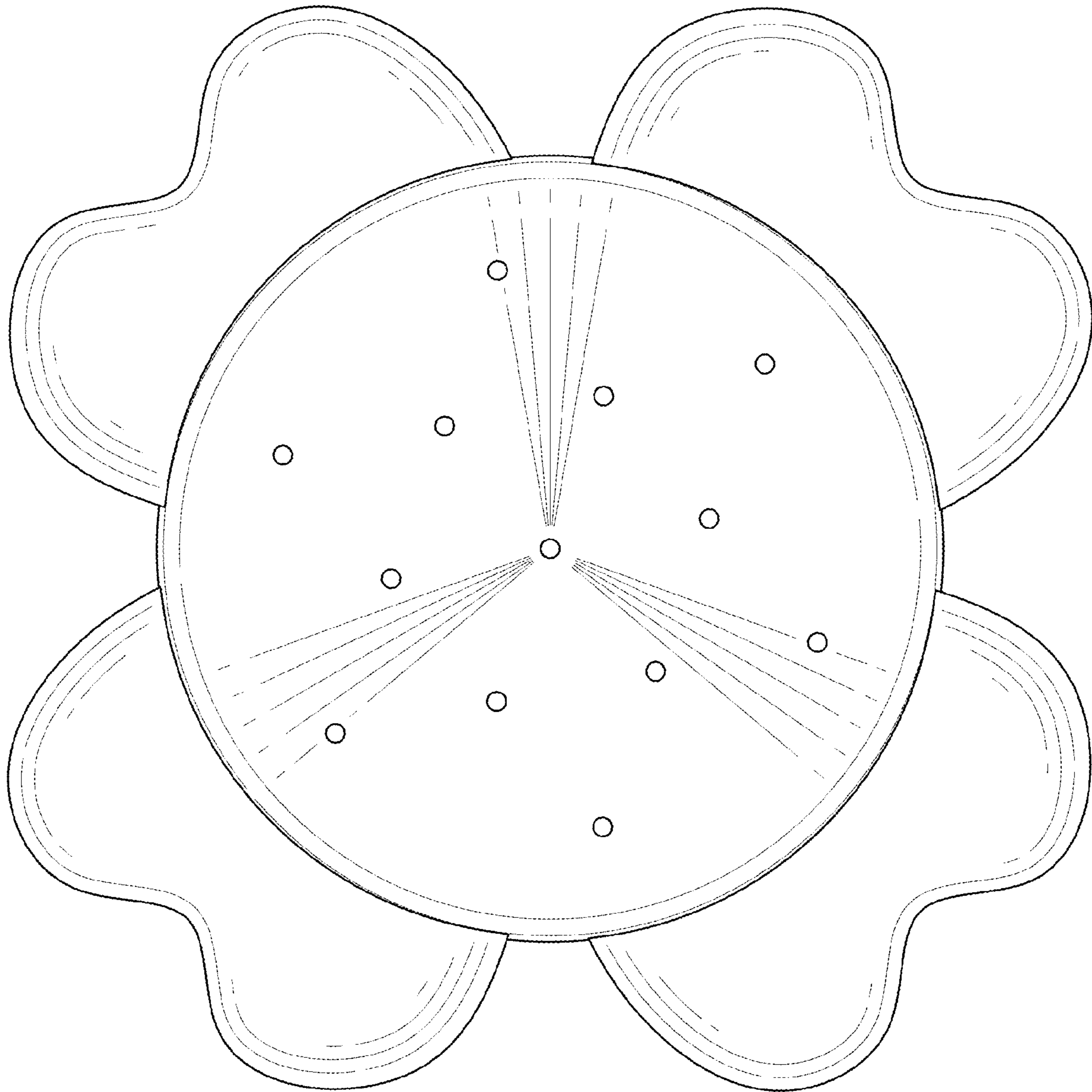


FIG. 3

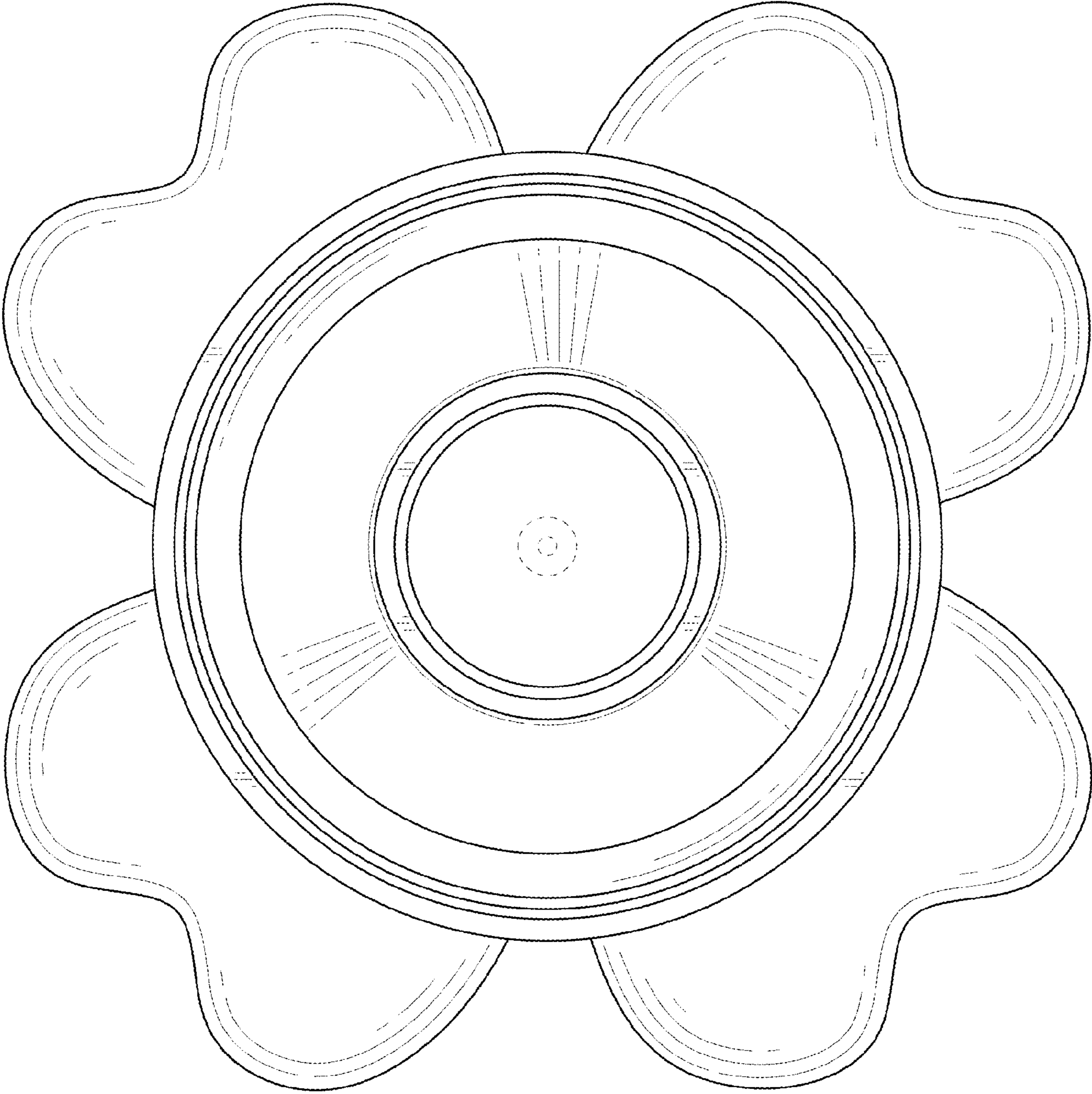


FIG. 4

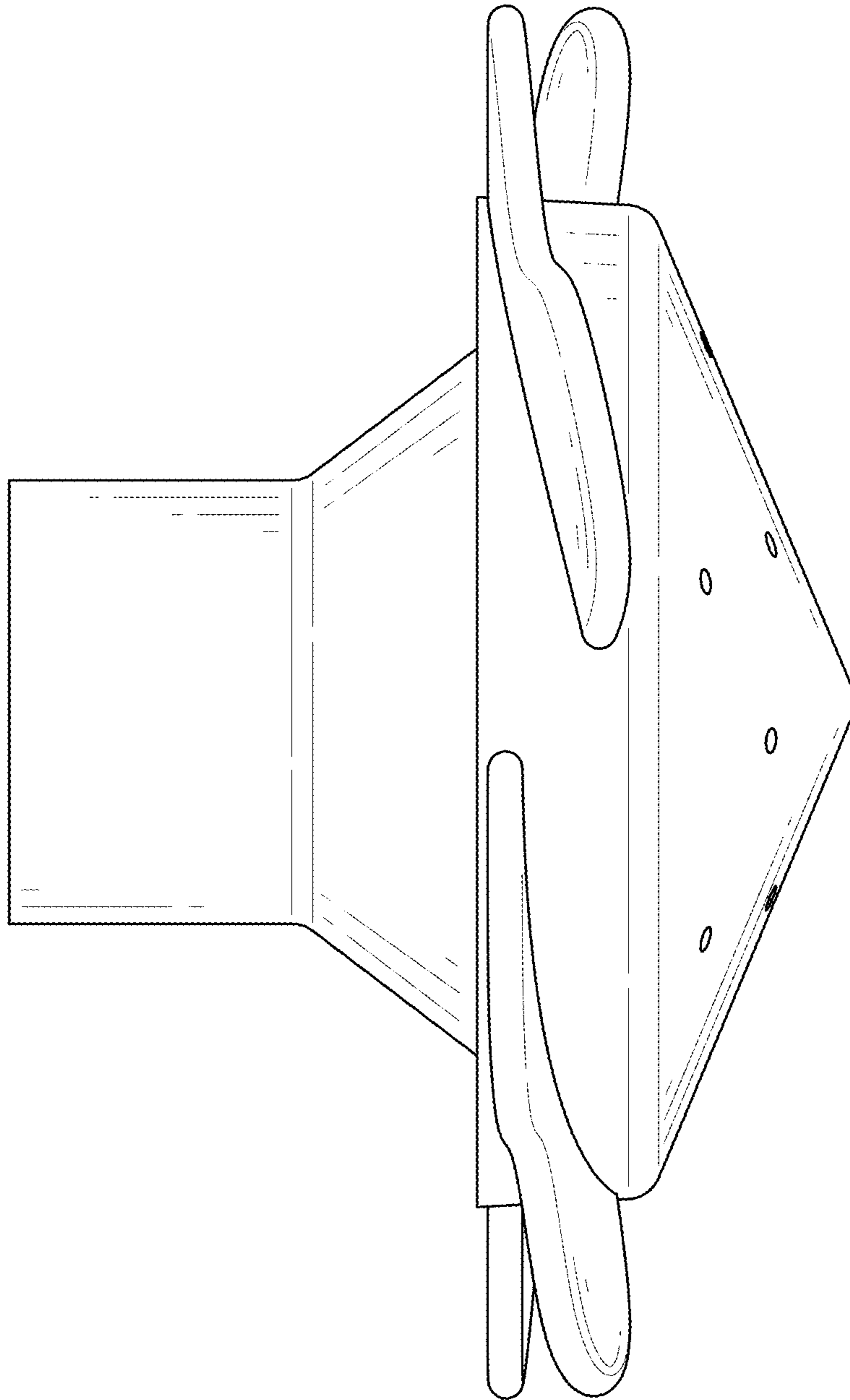


FIG. 5

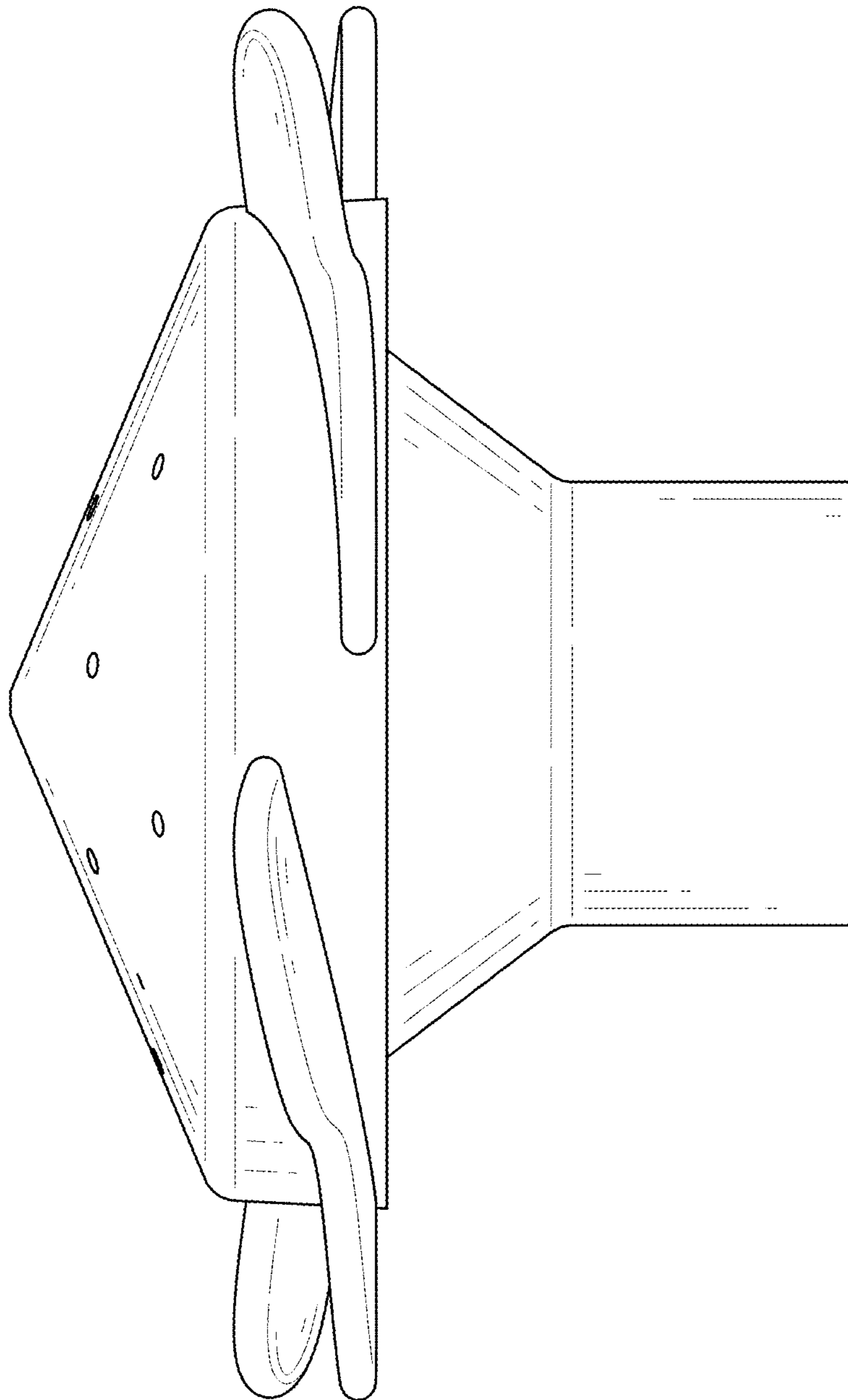


FIG. 6

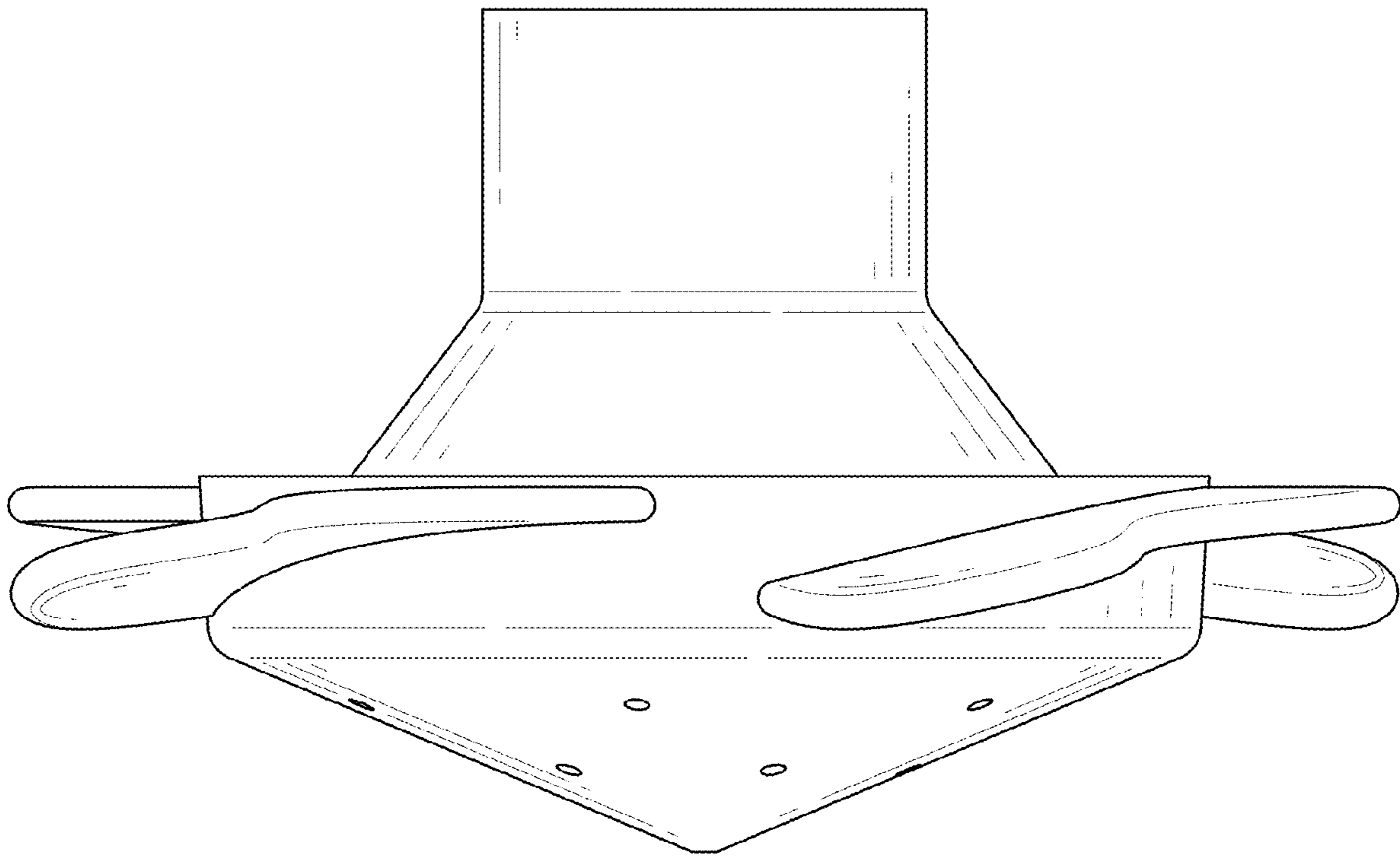


FIG. 7

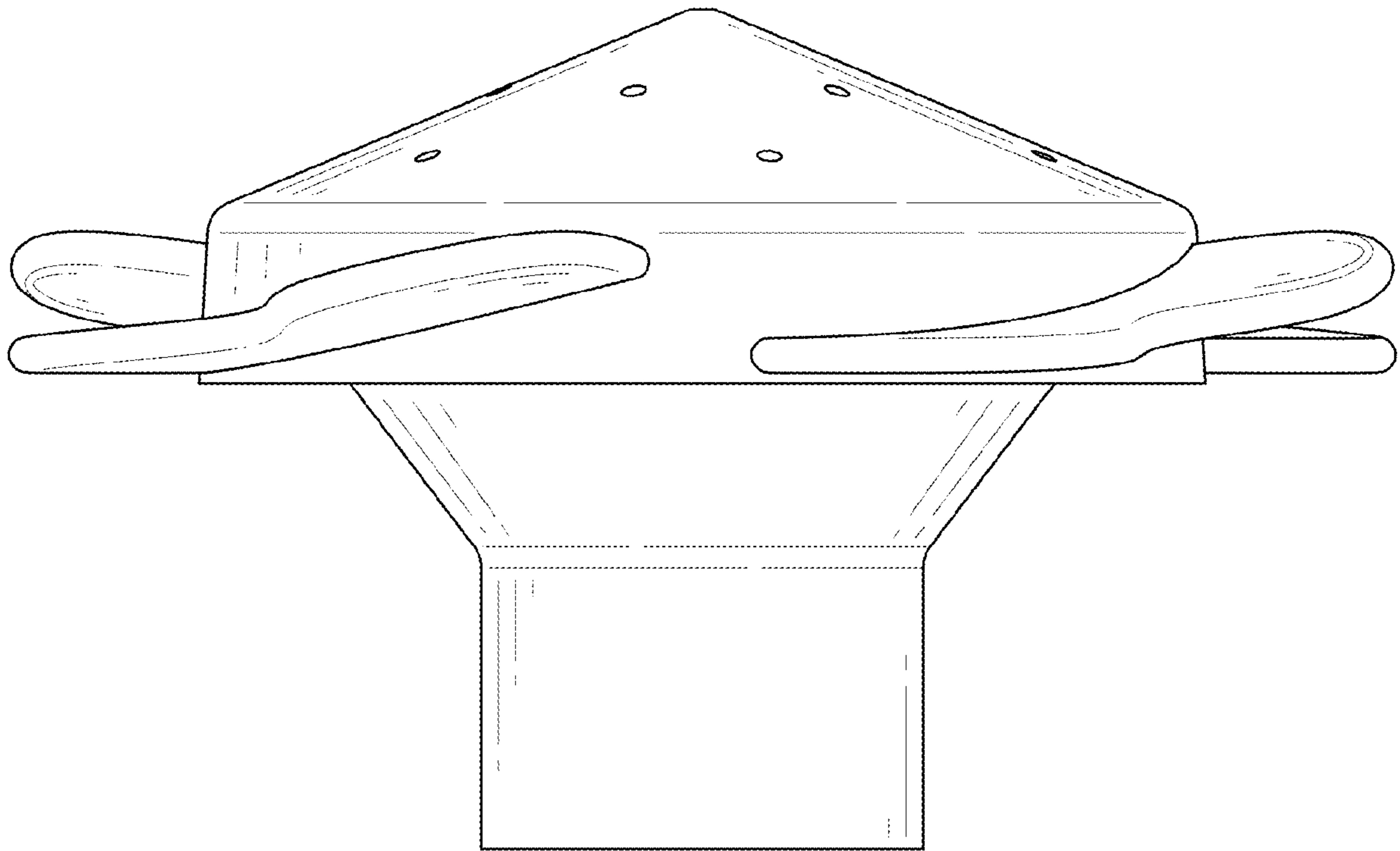


FIG. 8

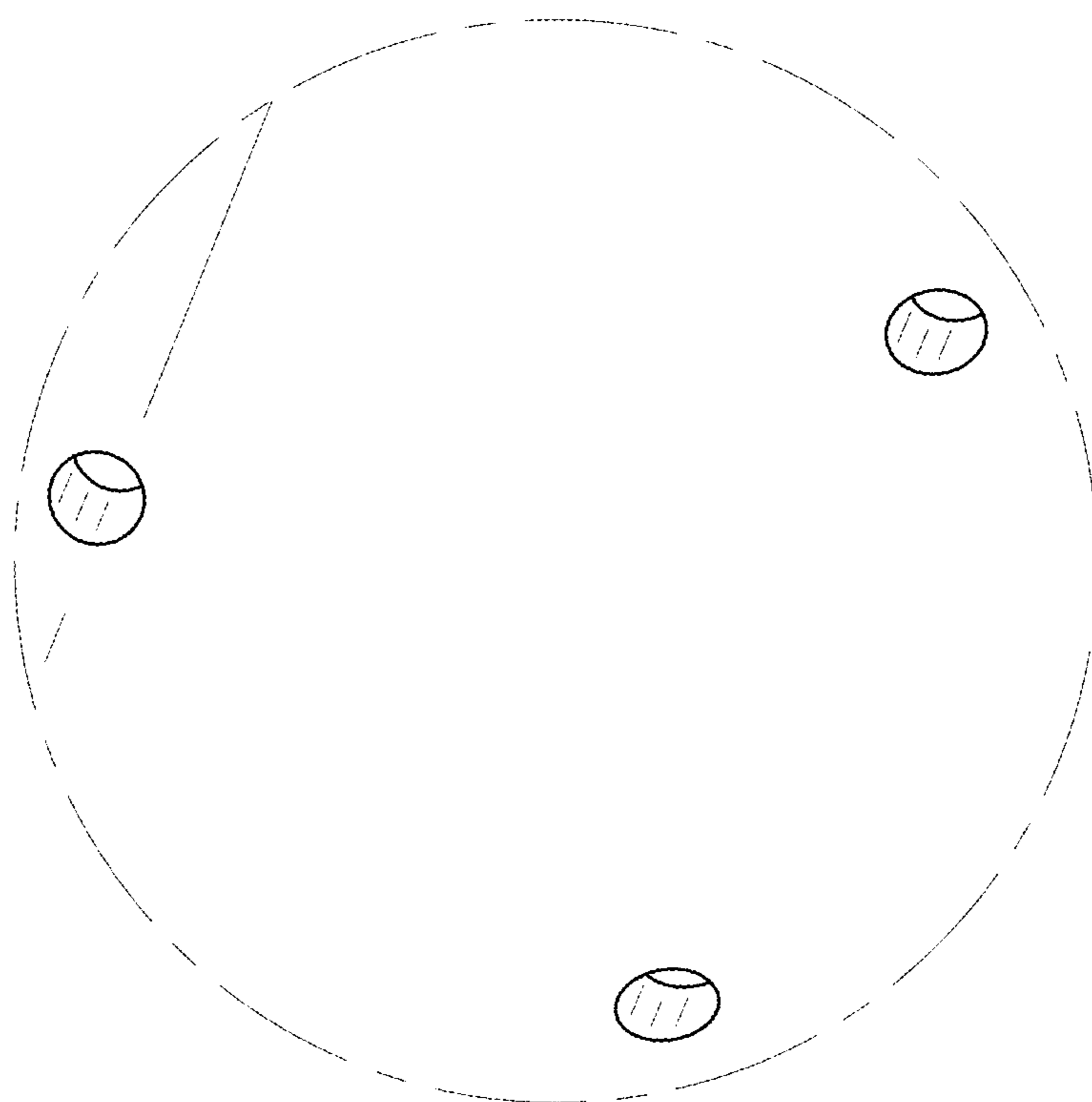


FIG. 9