



US00D931977S

(12) **United States Design Patent** (10) **Patent No.:** **US D931,977 S**
Sullentrop et al. (45) **Date of Patent:** **** Sep. 28, 2021**

(54) **FISHING ACCESSORY AND TOOL HOLDER**

(71) Applicants: **Lance Clark Sullentrop**, Lincoln, MO (US); **Lori Anne Sullentrop**, Lincoln, MO (US)

(72) Inventors: **Lance Clark Sullentrop**, Lincoln, MO (US); **Lori Anne Sullentrop**, Lincoln, MO (US)

(**) Term: **15 Years**

(21) Appl. No.: **29/720,015**

(22) Filed: **Jan. 9, 2020**

(51) **LOC (13) Cl.** **22-05**

(52) **U.S. Cl.**
USPC **D22/149**; D12/317

(58) **Field of Classification Search**
USPC D22/149, 134; D12/317, 223; 440/14; 114/363; D8/376; 297/344.22, 344.1
CPC B63B 29/00; B63B 29/06
See application file for complete search history.

(56) **References Cited**

U.S. PATENT DOCUMENTS

- 2,836,223 A * 5/1958 Kent B63B 29/06 297/252
- D238,265 S * 12/1975 Stewart D12/317
- D738,807 S * 9/2015 Lochala D12/317

OTHER PUBLICATIONS

Fisherman's Sidekick Boat Seat Caddy Gear Organizer . . . https://www.basspro.com/shop/en/fishermans-sidekick-boat-seat-caddy-gear-organizer?hvarAID=shopping_googleproductextensions&ds_e=GOOGLE&ds_c=Shop%7CGeneric%7CAllProducts%7CHigh%7CSSCCatchAll&gclid=

EAlalQobChMlysuPhPnq8QIVymJyCh0PrAKdEAQYBCABEgl7rfD_&gclid=
EAlalQobChMlysuPhPnq8QIVymJyCh0PrAKdEAQYBCABEgl7rfD_ BwE&gclsrc=aw.ds (Year: 2006).*
Springfield Boat Seat Mount . . . https://www.greatlakesskipper.com/springfield-boat-seat-mount-3100379-9-low-profile-13-x-11-inch?utm_source=google&utm_medium=cpc&adpos=&scid=scplp1082361&sc_intid=1082361&gclid=
EAlalQobChMlquaDhb3r8QIVisDICh2ApA4DEAYYASABEglqyPD_ BwE (Year: 2002).*

* cited by examiner

Primary Examiner — Catherine R Oliver-Garcia
(74) *Attorney, Agent, or Firm* — Hovey Williams LLP

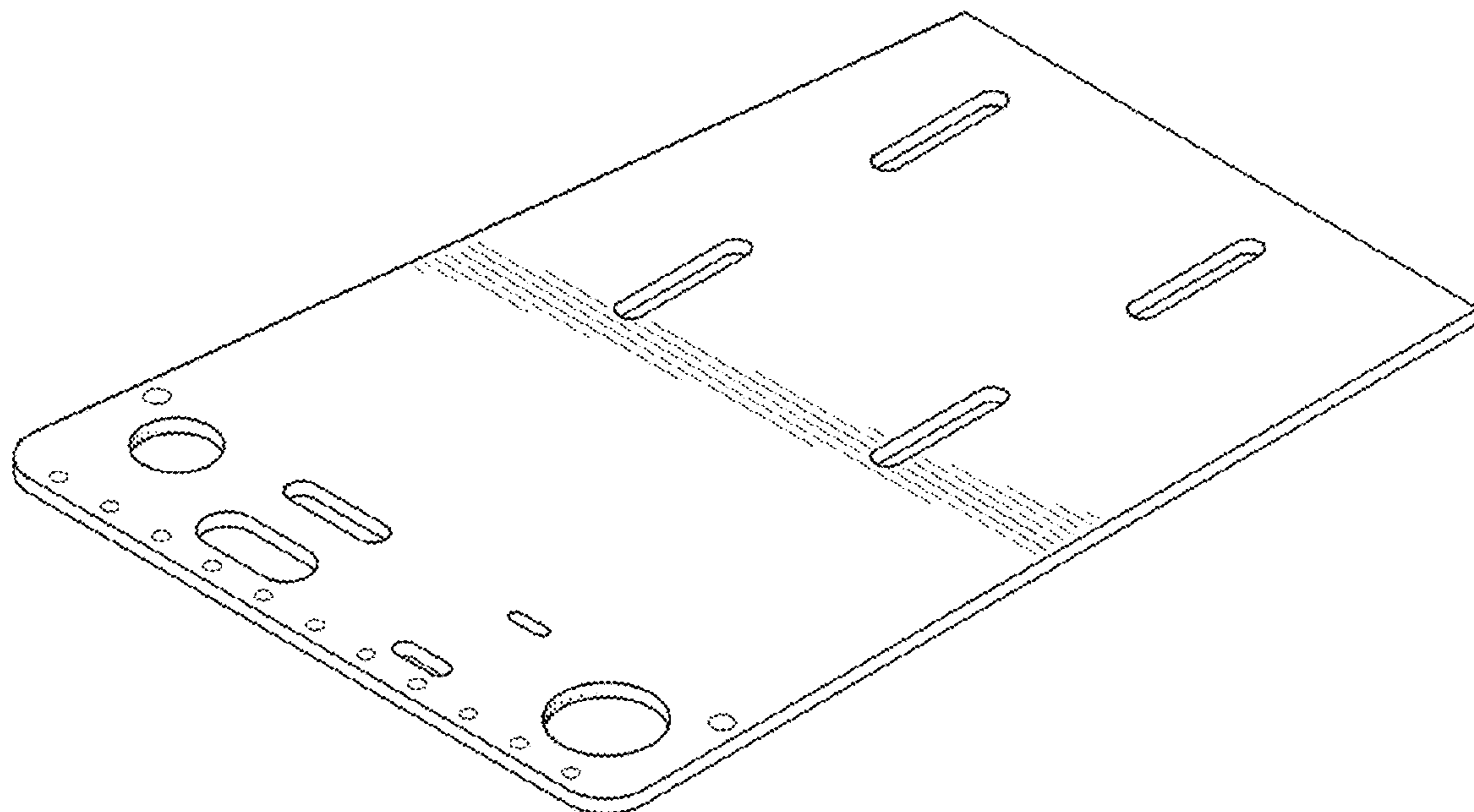
(57) **CLAIM**

The ornamental design for a fishing accessory and tool holder, as shown and described.

DESCRIPTION

FIG. 1 is a front perspective view of a fishing accessory and tool holder, in accordance with the present invention; FIG. 2 is a top view of the invention shown in FIG. 1; FIG. 3 is a bottom view of the invention shown in FIG. 1; FIG. 4 is front side view of the invention shown in FIG. 1; FIG. 5 is a back side view of the invention shown in FIG. 1; FIG. 6 is a left side view of the invention shown in FIG. 1; FIG. 7 is a right side view of the invention shown in FIG. 1; and, FIG. 8 is a bottom perspective view of the invention shown in FIGS. 1-7, operably attached with four screws to the underside of a removable boat seat, the screws and the boat seat being shown in broken lines. The broken line showing of parts of the drawings is included for the purpose of illustrating use and environment and forms no part of the claimed design.

1 Claim, 6 Drawing Sheets



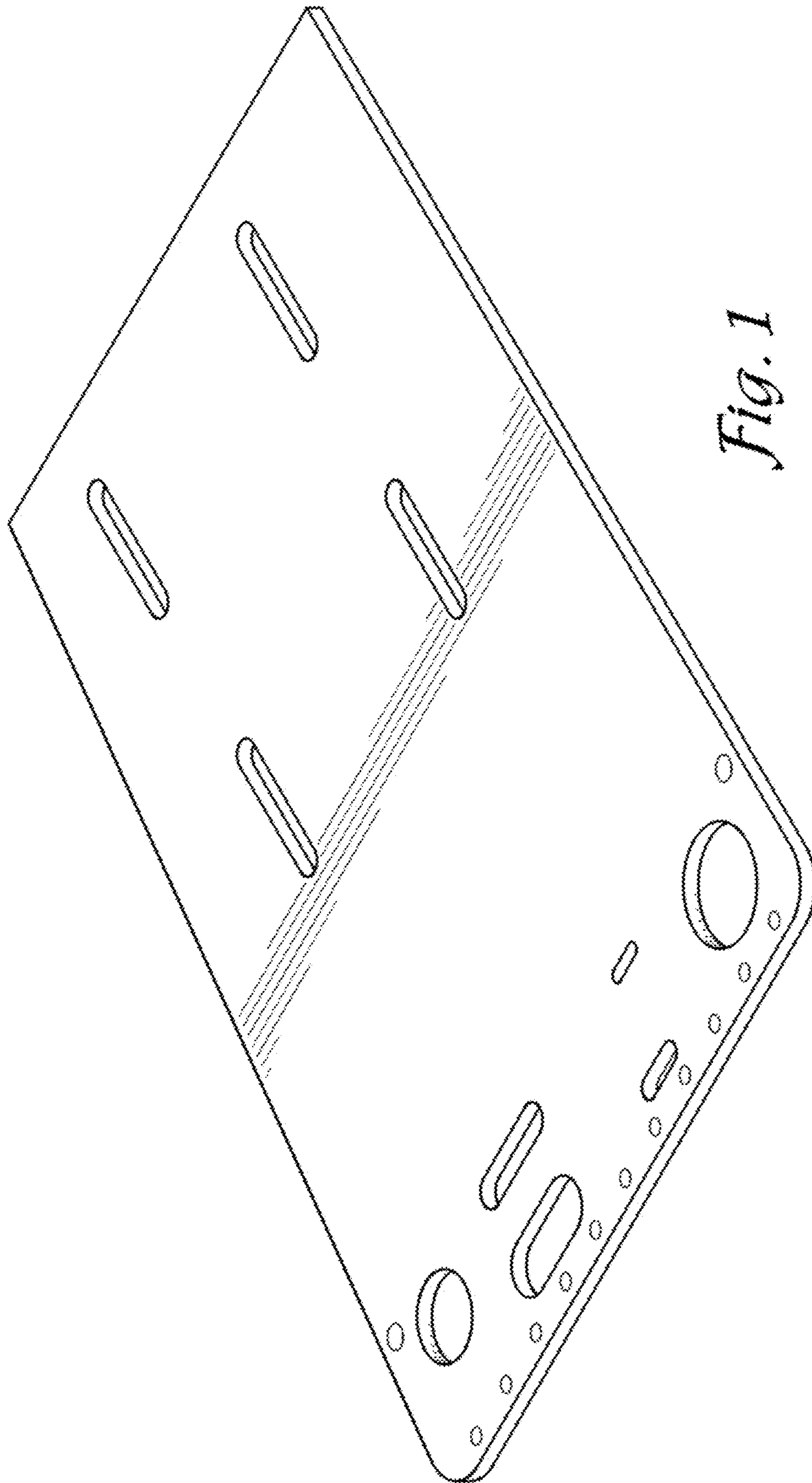


Fig. 1

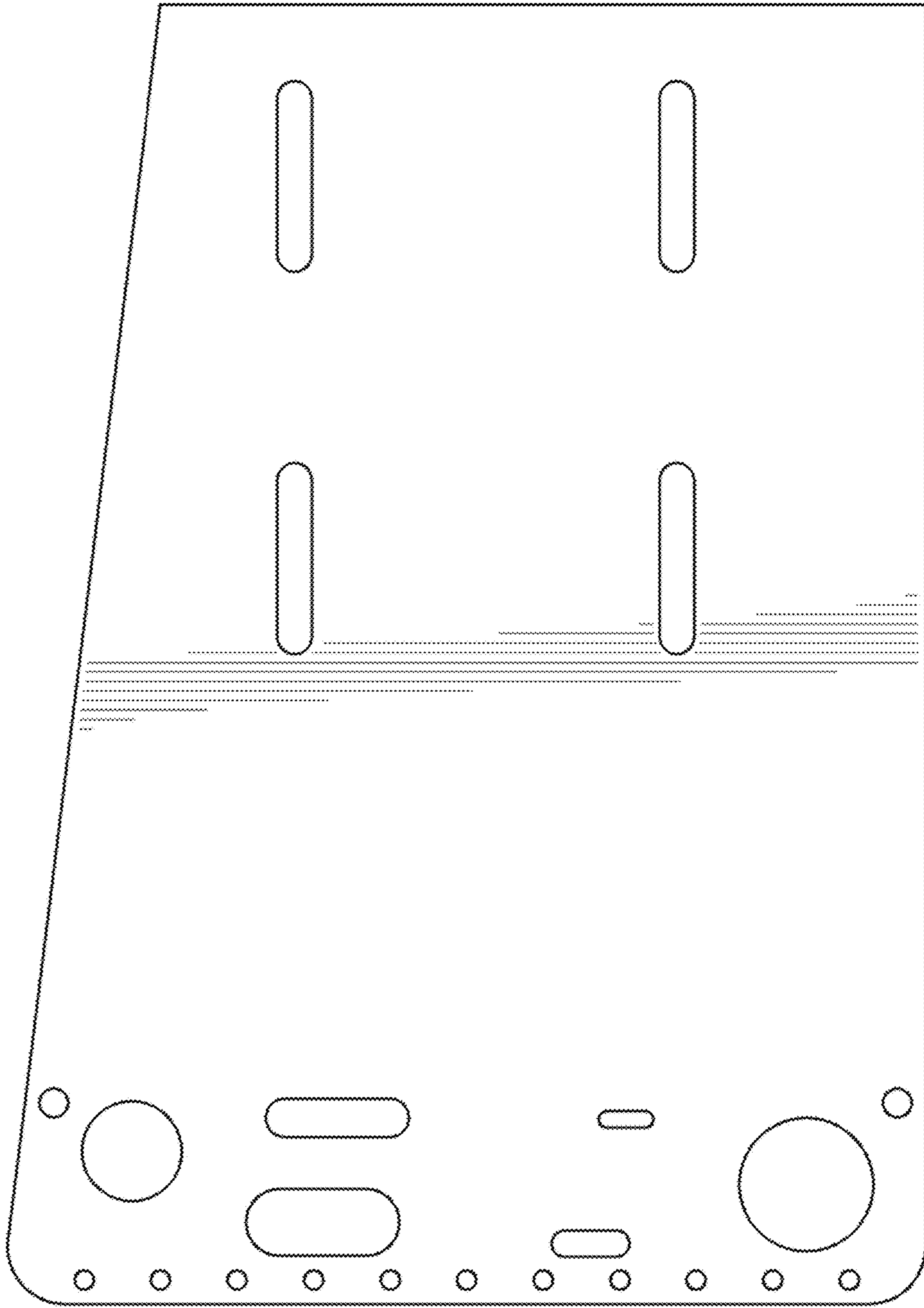


Fig. 2

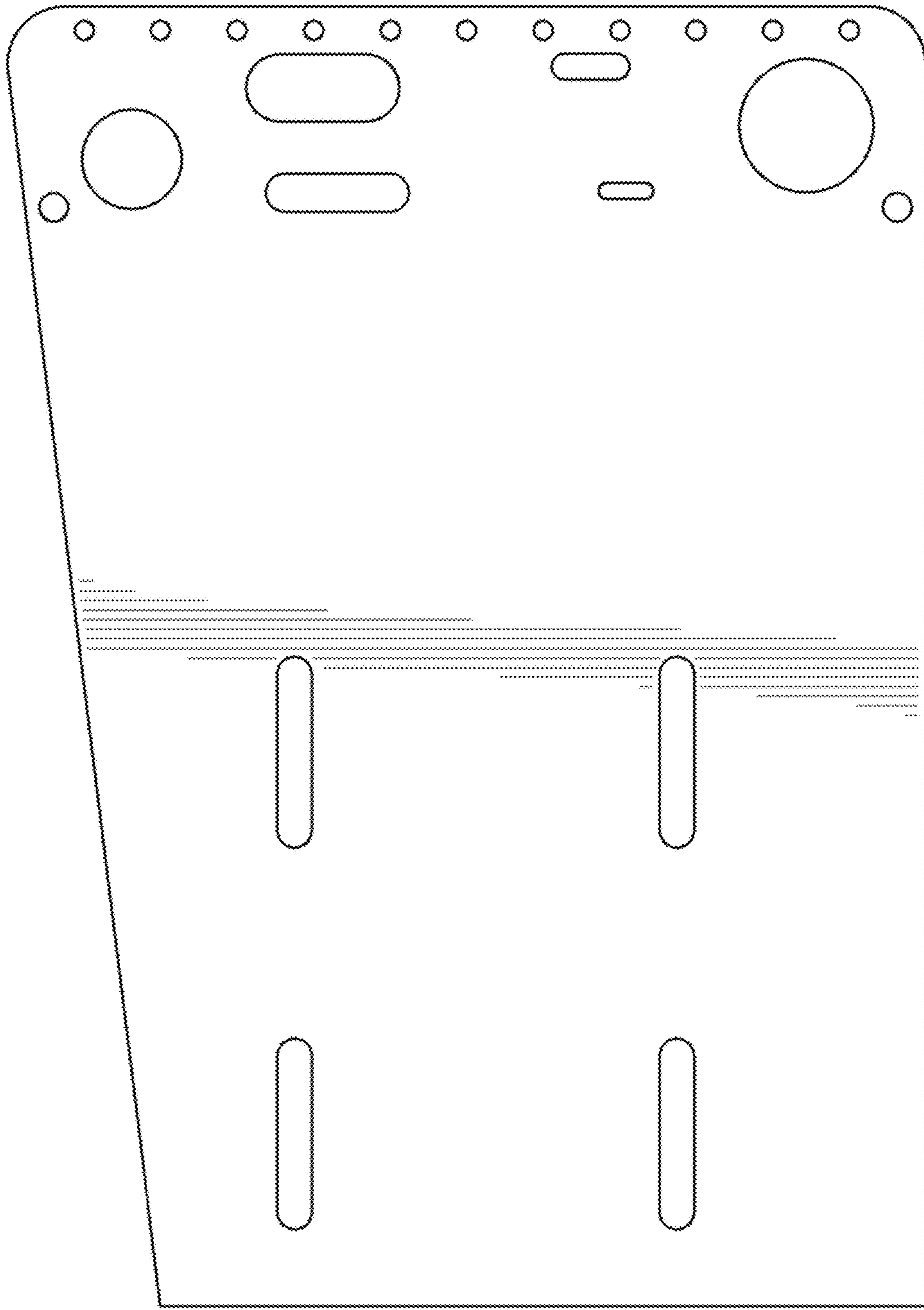


Fig. 3



Fig. 4



Fig. 5



Fig. 6



Fig. 7

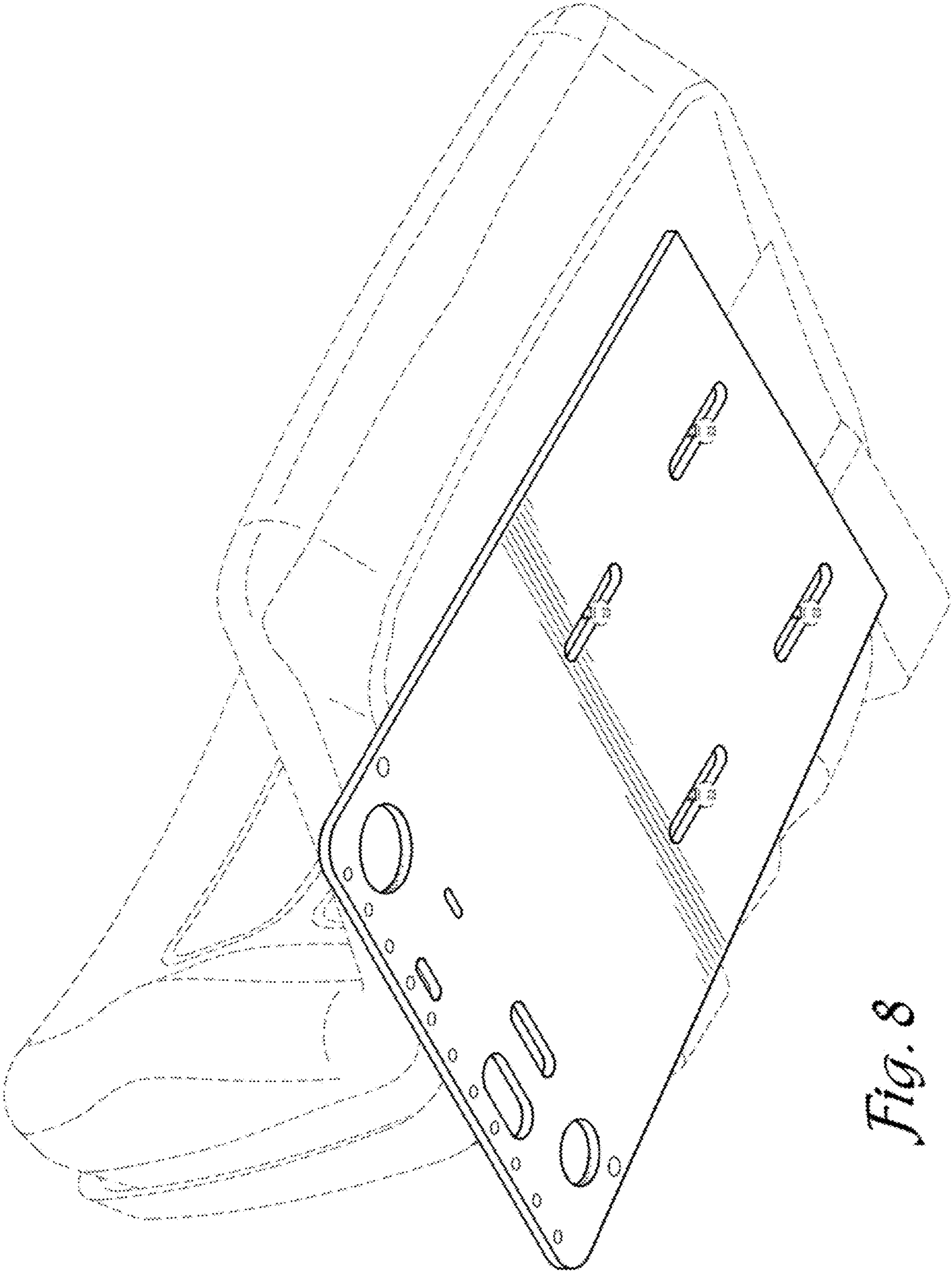


Fig. 8