



US00D931971S

(12) **United States Design Patent** (10) **Patent No.:** **US D931,971 S**
Wu (45) **Date of Patent:** **** Sep. 28, 2021**

(54) **KNIFE**
(71) Applicant: **Shangjie Wu**, Dalian (CN)
(72) Inventor: **Shangjie Wu**, Dalian (CN)
(**) Term: **15 Years**
(21) Appl. No.: **29/764,812**
(22) Filed: **Jan. 4, 2021**
(51) **LOC (13) Cl.** **22-02**
(52) **U.S. Cl.**
USPC **D22/118; D7/649**
(58) **Field of Classification Search**
USPC D8/99; D22/118; D7/649, 650, 651
CPC B26B 3/00; B26B 3/02; B26B 9/00
See application file for complete search history.

D713,923 S * 9/2014 Salvitti D22/118
D755,343 S * 5/2016 Freeman D22/118
D765,217 S * 8/2016 Tom D22/118
D767,078 S * 9/2016 Hannan D22/118
D806,498 S 1/2018 Bloch
D845,087 S * 4/2019 McMahon D7/650
2003/0208910 A1 * 11/2003 Dudley, Jr. B26B 3/00
30/314
2010/0212166 A1 * 8/2010 Visnack B26B 9/00
30/346
2012/0198707 A1 * 8/2012 Blacken A47J 17/02
30/346
2017/0341244 A1 * 11/2017 Chen B26B 3/02
* cited by examiner

Primary Examiner — Philip S Hyder

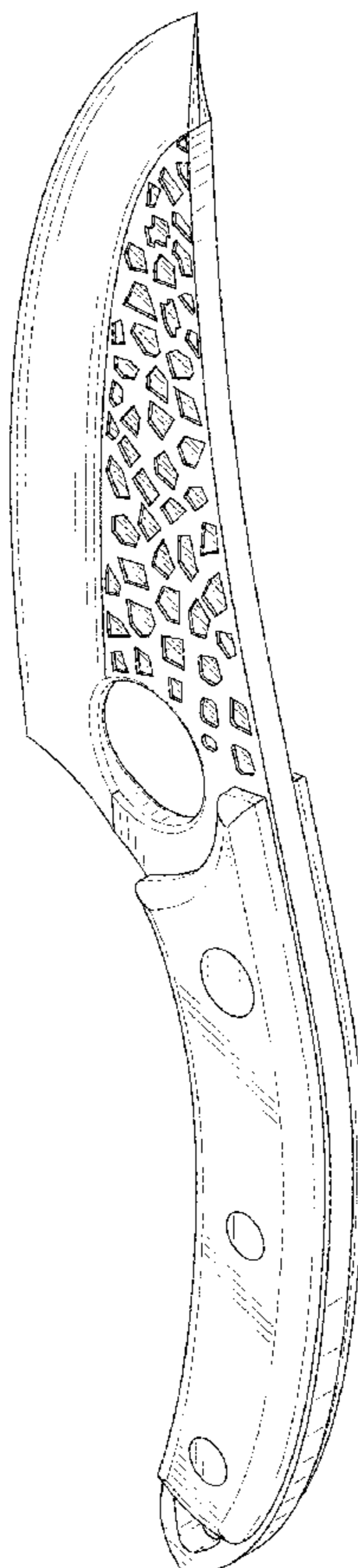
(57) **CLAIM**
The ornamental design for a knife, as shown and described.

DESCRIPTION

FIG. 1 is a perspective view of a knife showing my new design;
FIG. 2 is another perspective view thereof;
FIG. 3 is a front elevational view thereof;
FIG. 4 is a rear elevational view thereof;
FIG. 5 is a left side elevational view thereof;
FIG. 6 is a right side elevational view thereof;
FIG. 7 is a top plan view thereof; and,
FIG. 8 is a bottom plan view thereof.

1 Claim, 8 Drawing Sheets

(56) **References Cited**
U.S. PATENT DOCUMENTS
D267,622 S * 1/1983 Russell D7/649
D330,405 S * 10/1992 Luchak D22/118
D348,380 S * 7/1994 Allen D7/649
D360,013 S * 7/1995 Collins D22/118
D392,016 S * 3/1998 Balolia D22/118
D461,689 S * 8/2002 Lothe D7/649
D495,772 S * 9/2004 Hibben D22/118
D643,261 S * 8/2011 Spiegel D7/649
D697,781 S 1/2014 Trbovich et al.



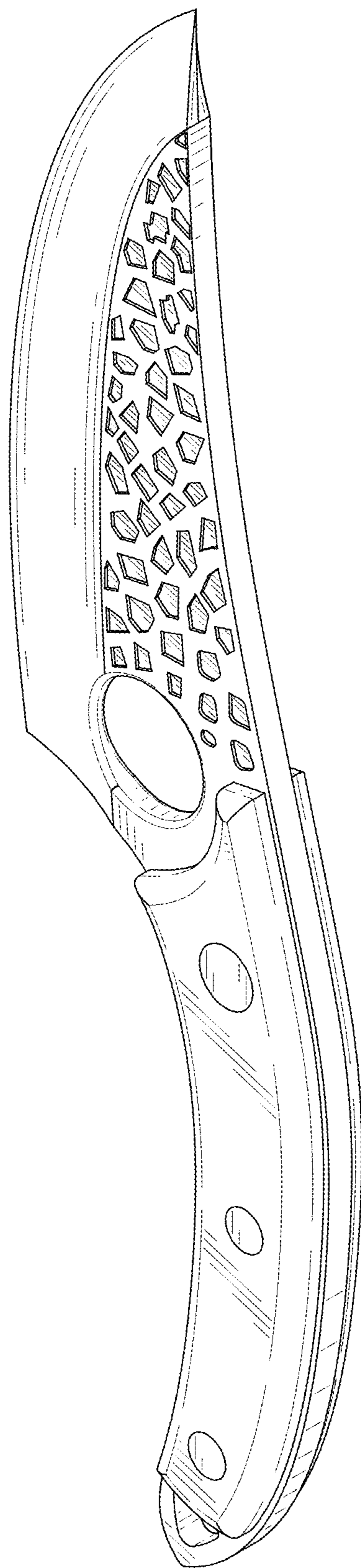


FIG. 1

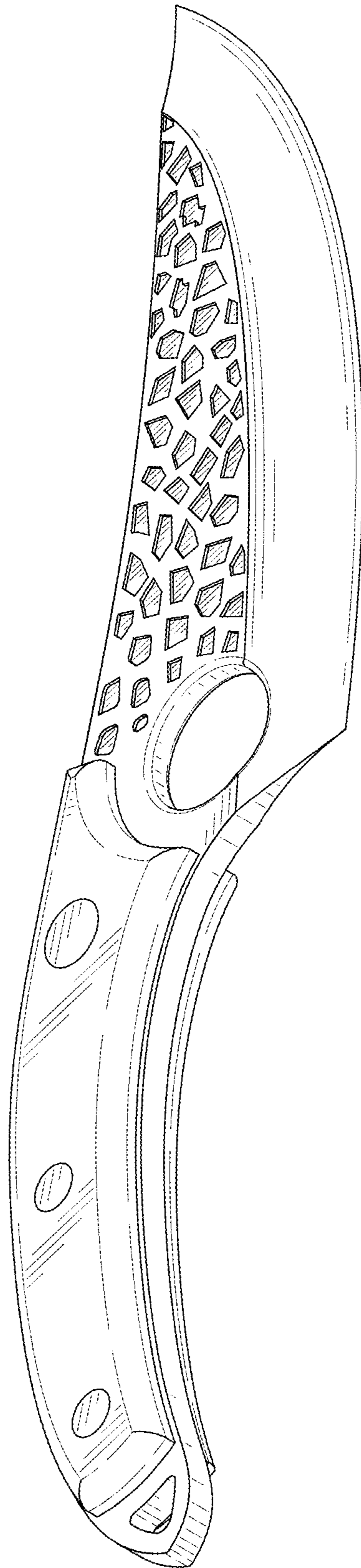


FIG. 2

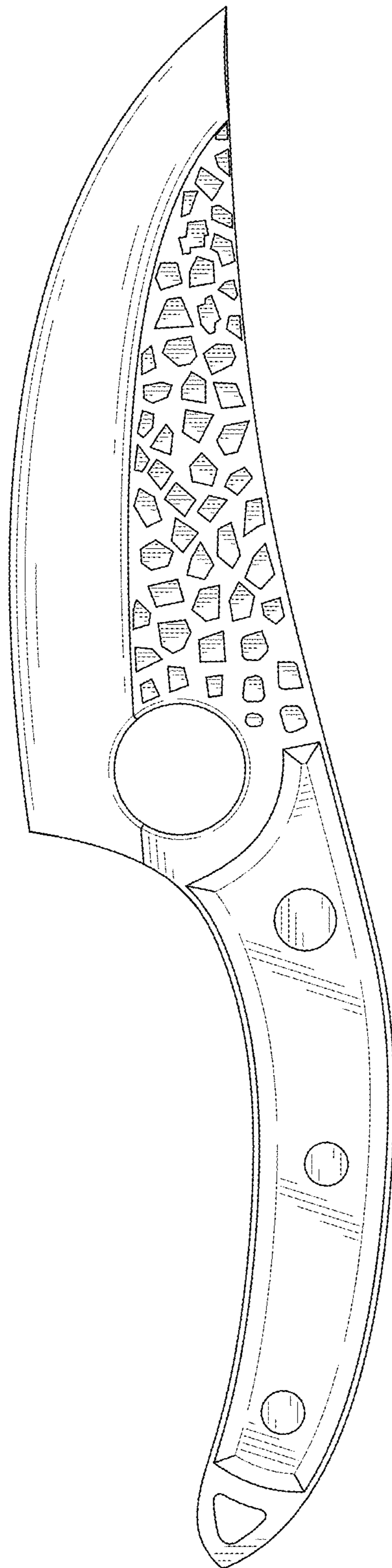


FIG. 3

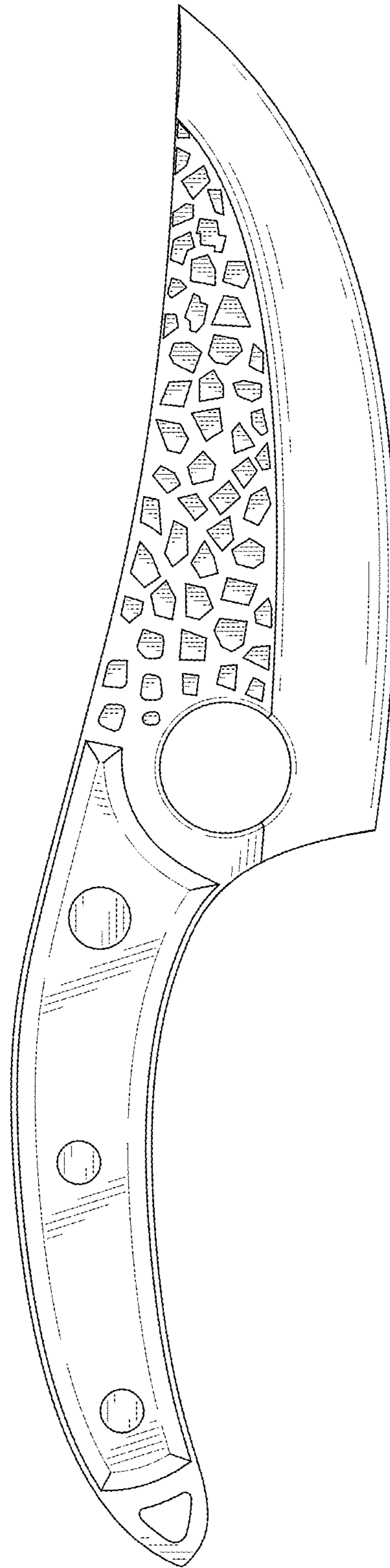


FIG. 4

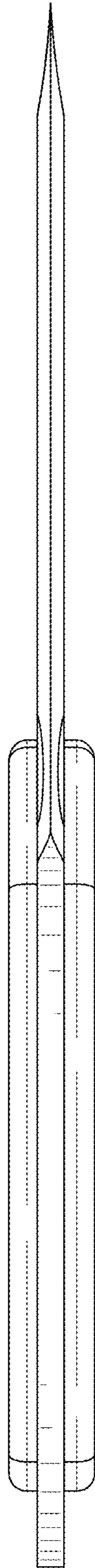


FIG. 5

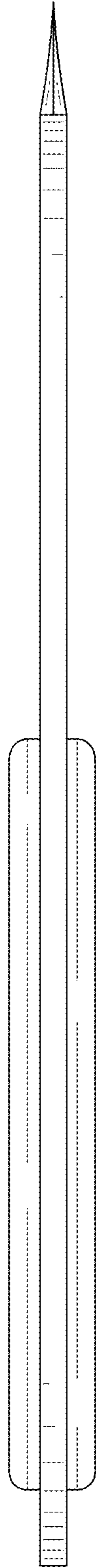


FIG. 6

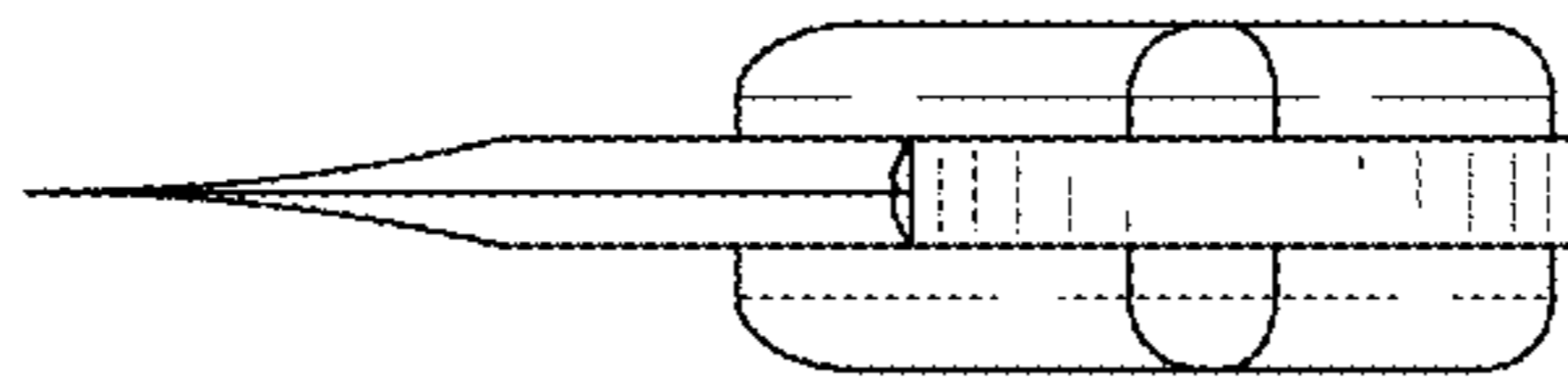


FIG. 7

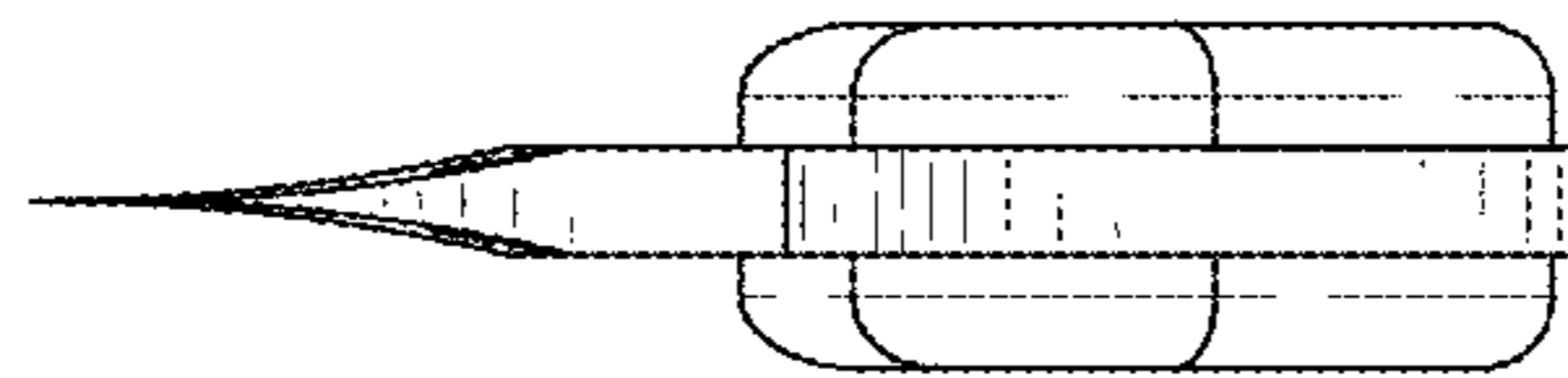


FIG. 8