



US00D931969S

(12) **United States Design Patent**
Pescovitz

(10) **Patent No.:** **US D931,969 S**

(45) **Date of Patent:** **** Sep. 28, 2021**

(54) **PERSONAL ENCLOSURE**

(71) Applicant: **Under The Weather, LLC**, Cincinnati, OH (US)

(72) Inventor: **Eric Pescovitz**, Cincinnati, OH (US)

(73) Assignee: **Under The Weather, LLC**, Cincinnati, OH (US)

(**) Term: **15 Years**

(21) Appl. No.: **29/684,149**

(22) Filed: **Mar. 19, 2019**

(51) **LOC (13) Cl.** **21-04**

(52) **U.S. Cl.**
USPC **D21/838**

(58) **Field of Classification Search**
USPC D21/834, 835, 836, 837, 838, 839, 840;
D25/22, 56, 61; D12/404; 135/88.13,
135/96, 124, 125, 148
CPC E04H 15/32; E04H 15/34; E04H 15/48;
E04H 15/324; E04H 15/06; E04H 15/006;
E04H 15/40; E04H 15/00; E04H 15/42;
E04H 15/54; E04H 15/12; E04H 15/56;
E04H 15/20; A47D 13/063

See application file for complete search history.

(56) **References Cited**

U.S. PATENT DOCUMENTS

D412,959 S *	8/1999	Cung	D21/834
D691,688 S *	10/2013	Pescovitz	D21/838
D691,689 S *	10/2013	Pescovitz	D21/838
D691,690 S *	10/2013	Pescovitz	D21/838
D711,996 S *	8/2014	Pescovitz	D21/834
D711,997 S *	8/2014	Pescovitz	D21/834
D711,998 S *	8/2014	Pescovitz	D21/834
D725,735 S *	3/2015	Pescovitz	D21/838
D776,777 S *	1/2017	Pescovitz	D21/836
D776,778 S *	1/2017	Pescovitz	D21/836

D776,779 S *	1/2017	Pescovitz	D21/836
D790,023 S *	6/2017	Pescovitz	D21/838
D790,024 S *	6/2017	Pescovitz	D21/838
D790,025 S *	6/2017	Pescovitz	D21/838
D790,026 S *	6/2017	Pescovitz	D21/838
D814,590 S *	4/2018	Pescovitz	D21/838
D838,801 S *	1/2019	Chaklos	D21/834

(Continued)

OTHER PUBLICATIONS

WalkingPod—Under the weather, Earliest review date Jan. 17, 2019 [Online], [Site visited Jun. 2, 2020] Available From Internet, URL:<<https://utwPods.com/products/walkingpod>> (Year: 2019).*

(Continued)

Primary Examiner — Cynthia M. Chin

(74) *Attorney, Agent, or Firm* — Benesch, Friedlander, Coplan & Aronoff, LLP

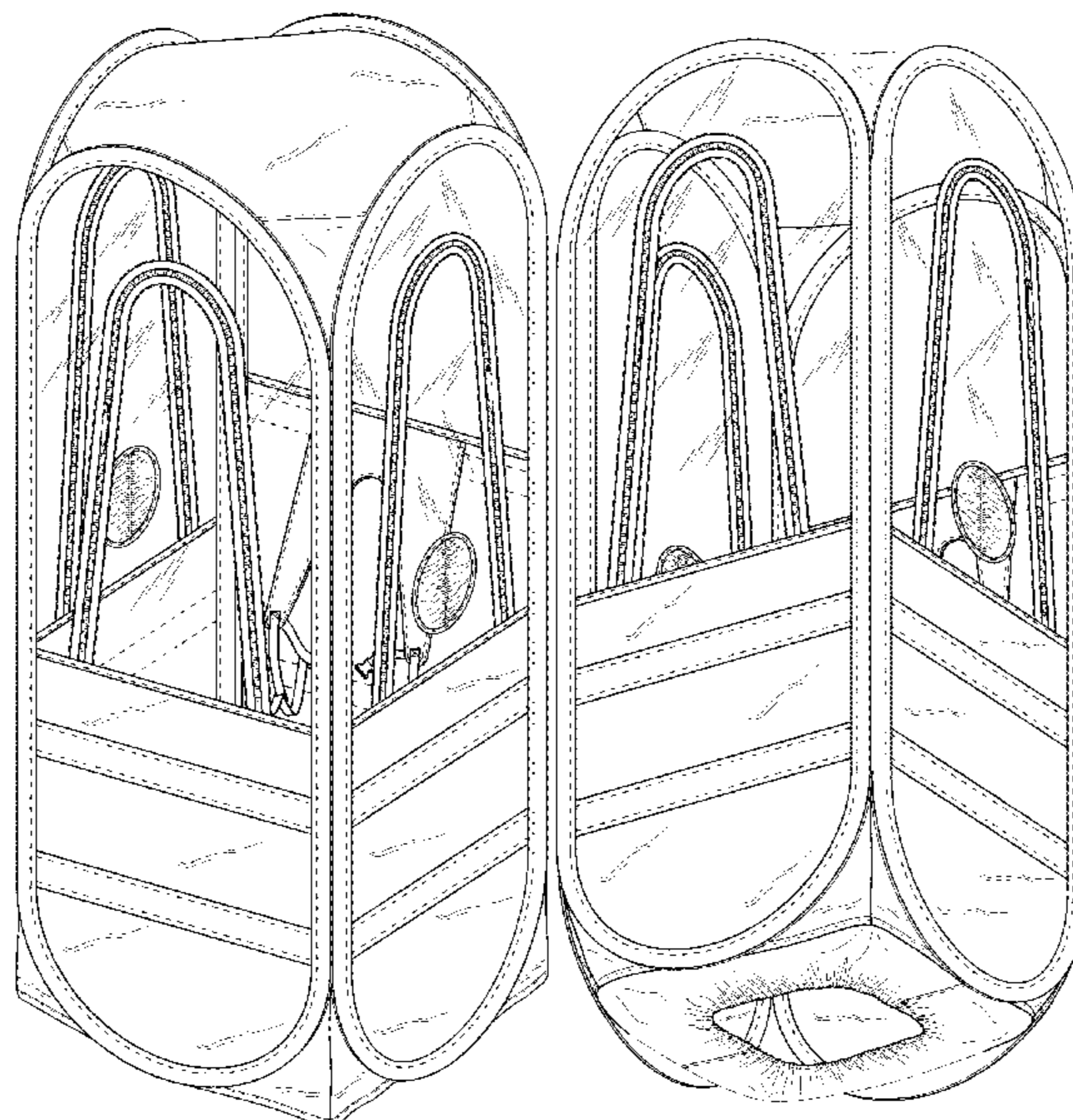
(57) **CLAIM**

What is claimed is the ornamental design for a personal enclosure, as shown and described.

DESCRIPTION

FIG. 1 is a perspective view of a personal enclosure; FIG. 2 is another perspective view of the personal enclosure of FIG. 1; FIG. 3 is a front view of the personal enclosure of FIG. 1; FIG. 4 is a rear view of the personal enclosure of FIG. 1; FIG. 5 is a left side view of the personal enclosure of FIG. 1; FIG. 6 is a right side view of the personal enclosure of FIG. 1; FIG. 7 is a top view of the personal enclosure of FIG. 1; and, FIG. 8 is a bottom view of the personal enclosure of FIG. 1. The broken lines in the drawings show stitching that is included in the claimed design.

1 Claim, 7 Drawing Sheets



(56)

References Cited

U.S. PATENT DOCUMENTS

D844,087 S * 3/2019 Chaklos D21/834
D845,422 S * 4/2019 Chaklos D21/834
10,323,435 B2 * 6/2019 Ferrara E04H 15/001
D864,333 S * 10/2019 Wu D21/834
D875,197 S * 2/2020 Pescovitz D21/838
D875,198 S * 2/2020 Pescovitz D21/838
D875,868 S * 2/2020 Pescovitz D21/838
10,648,193 B2 * 5/2020 Ferrara E04H 15/001
2018/0155955 A1 * 6/2018 Ferrara E04H 15/001

OTHER PUBLICATIONS

Would you wear this plastic tent on a plane to avoid coronavirus?,
by Kara Godfrey on Feb. 4, 2020 [Online], [Site visited Jun. 2,
2020] Available From Internet, URL:<[https://www.thesun.co.uk/
travel/10886780/plastic-tent-plane-coronavirus/](https://www.thesun.co.uk/travel/10886780/plastic-tent-plane-coronavirus/)> (Year: 2020).*

* cited by examiner

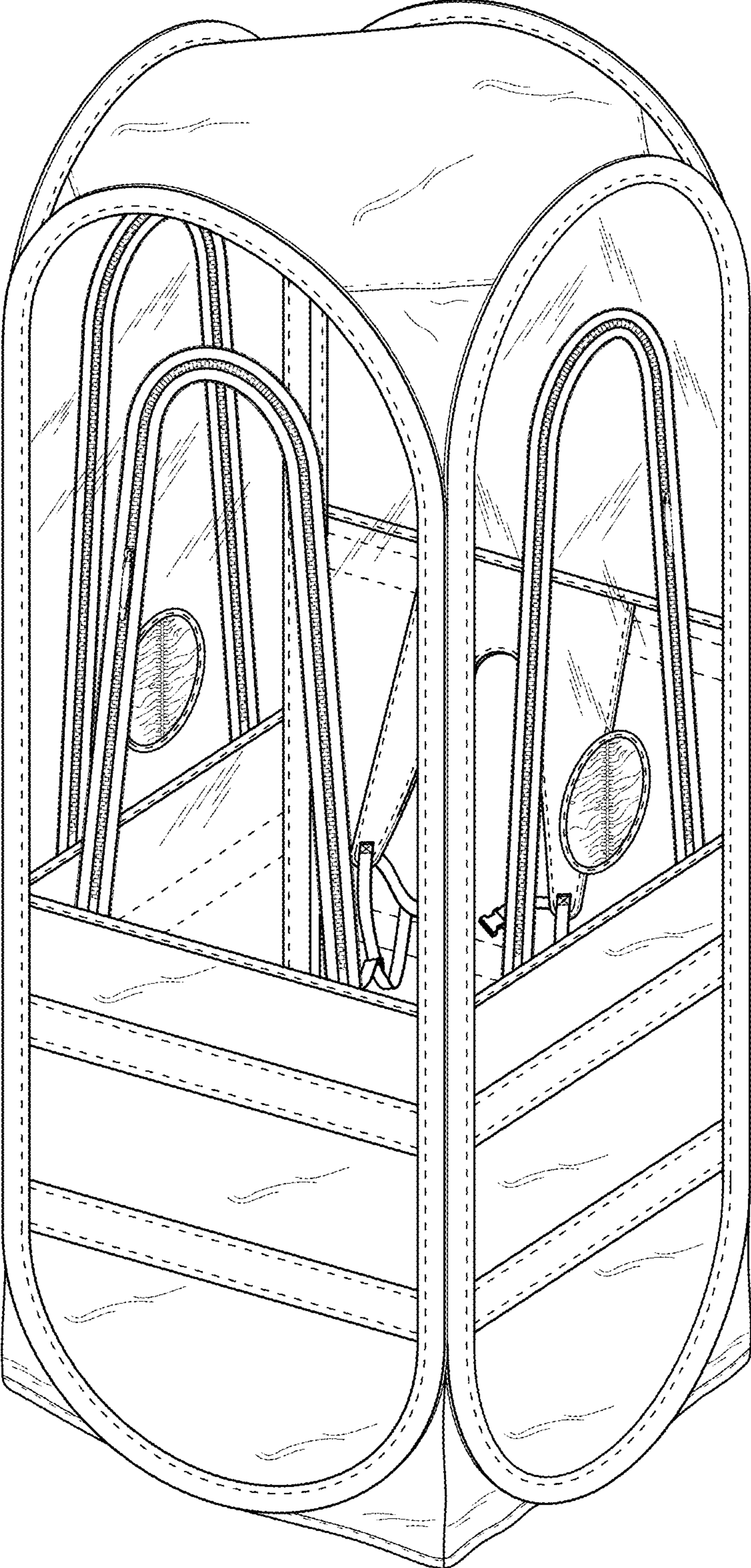


FIG. 1

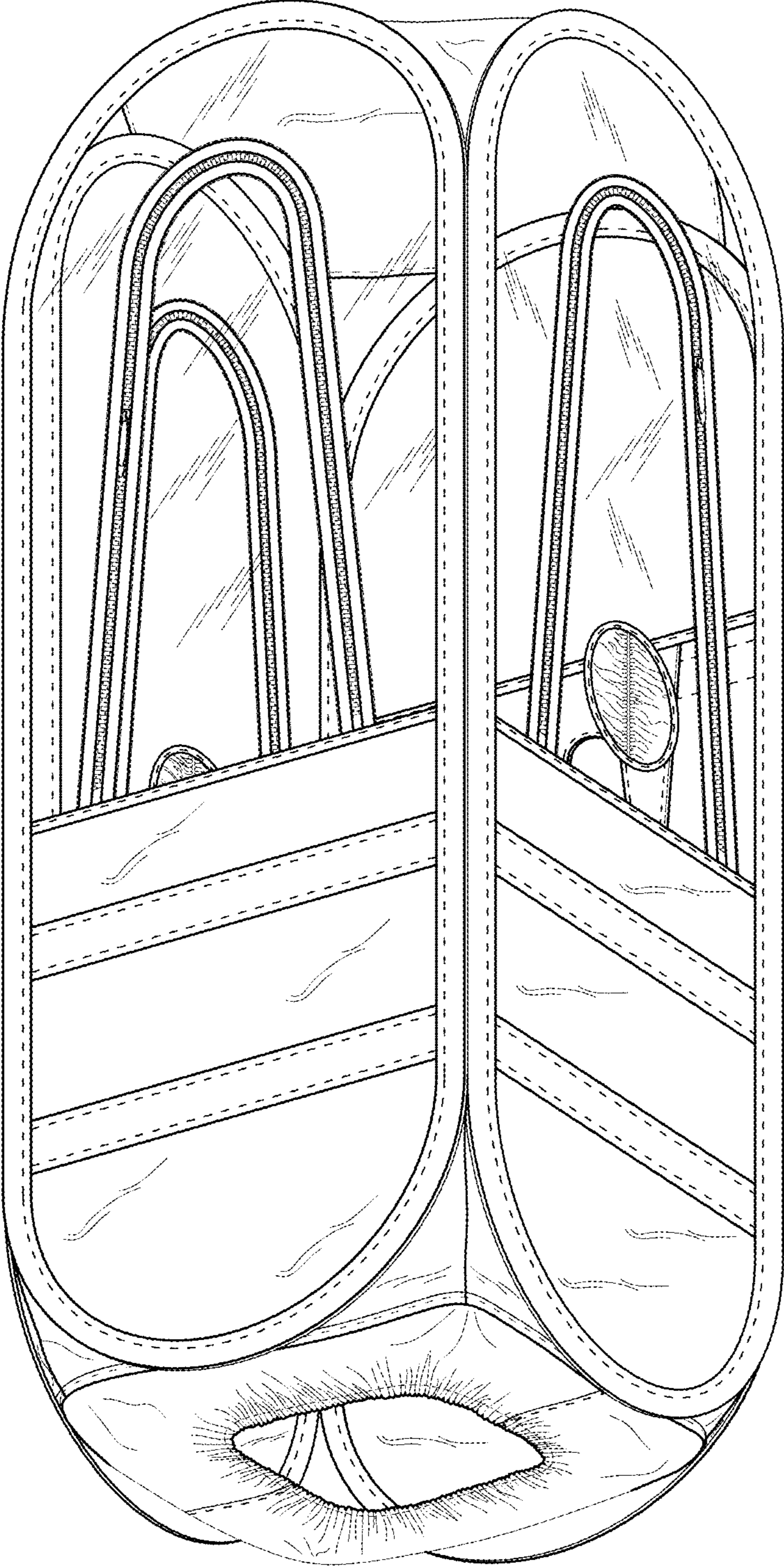


FIG. 2

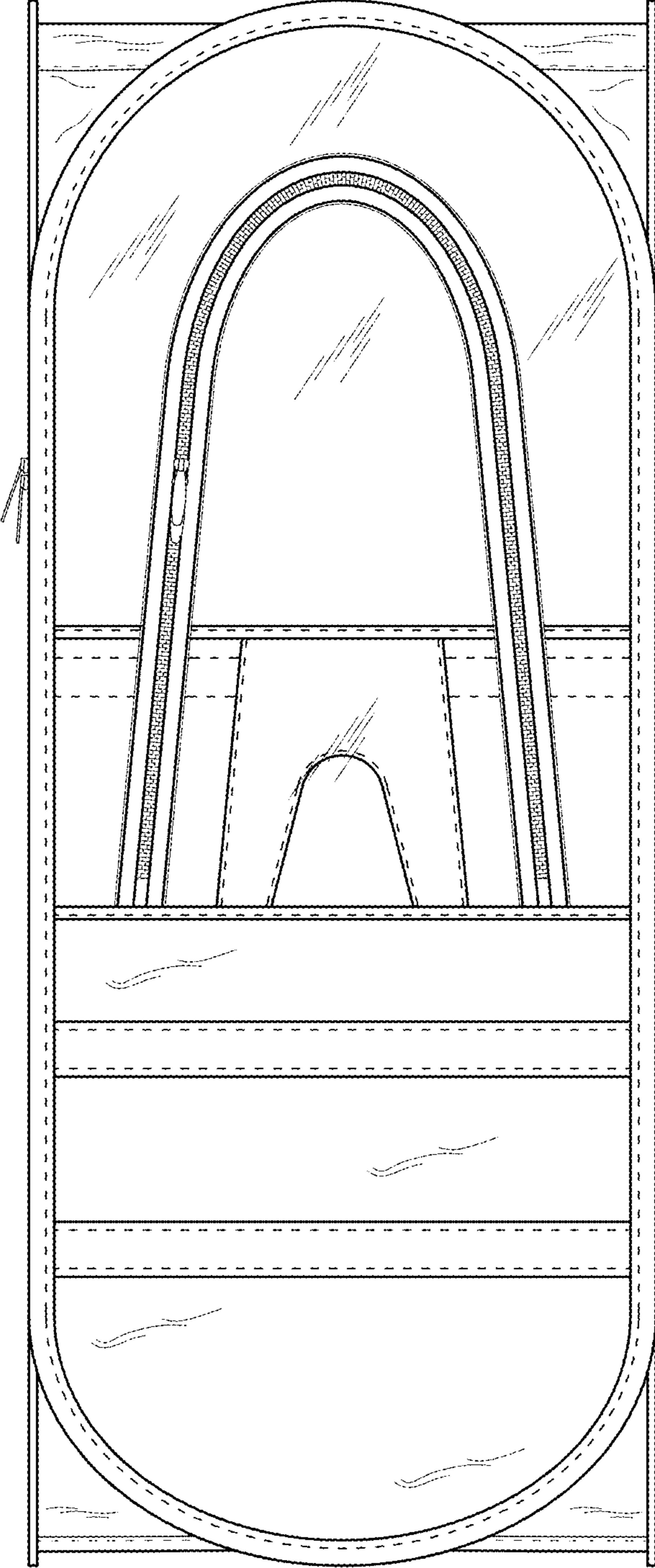


FIG. 3

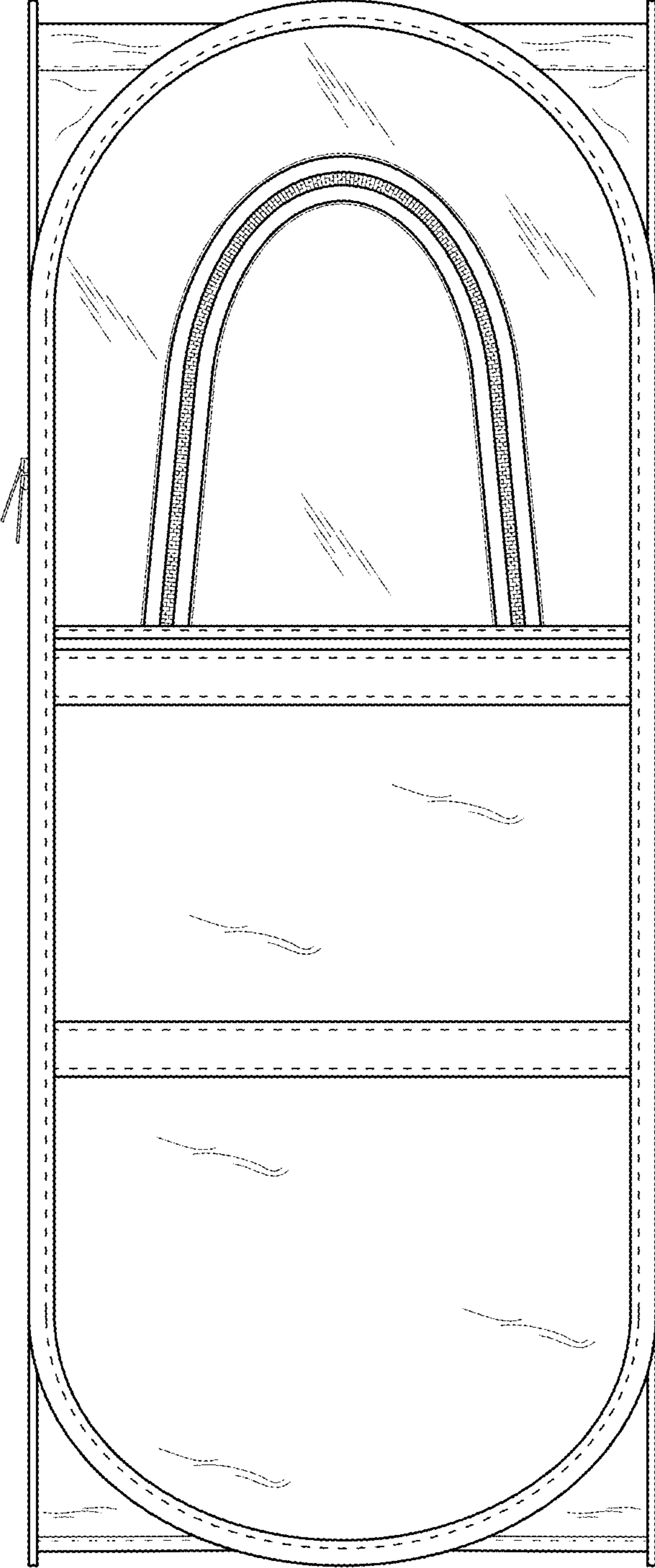


FIG. 4

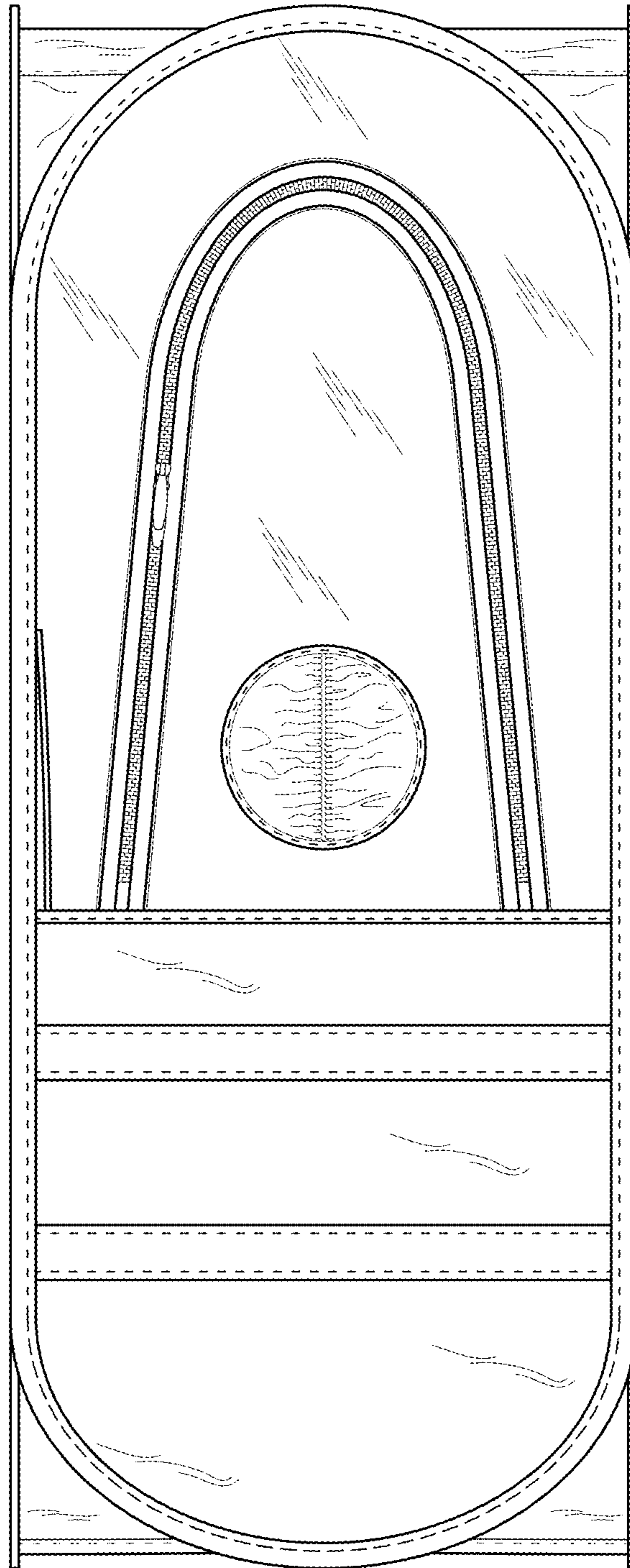


FIG. 5

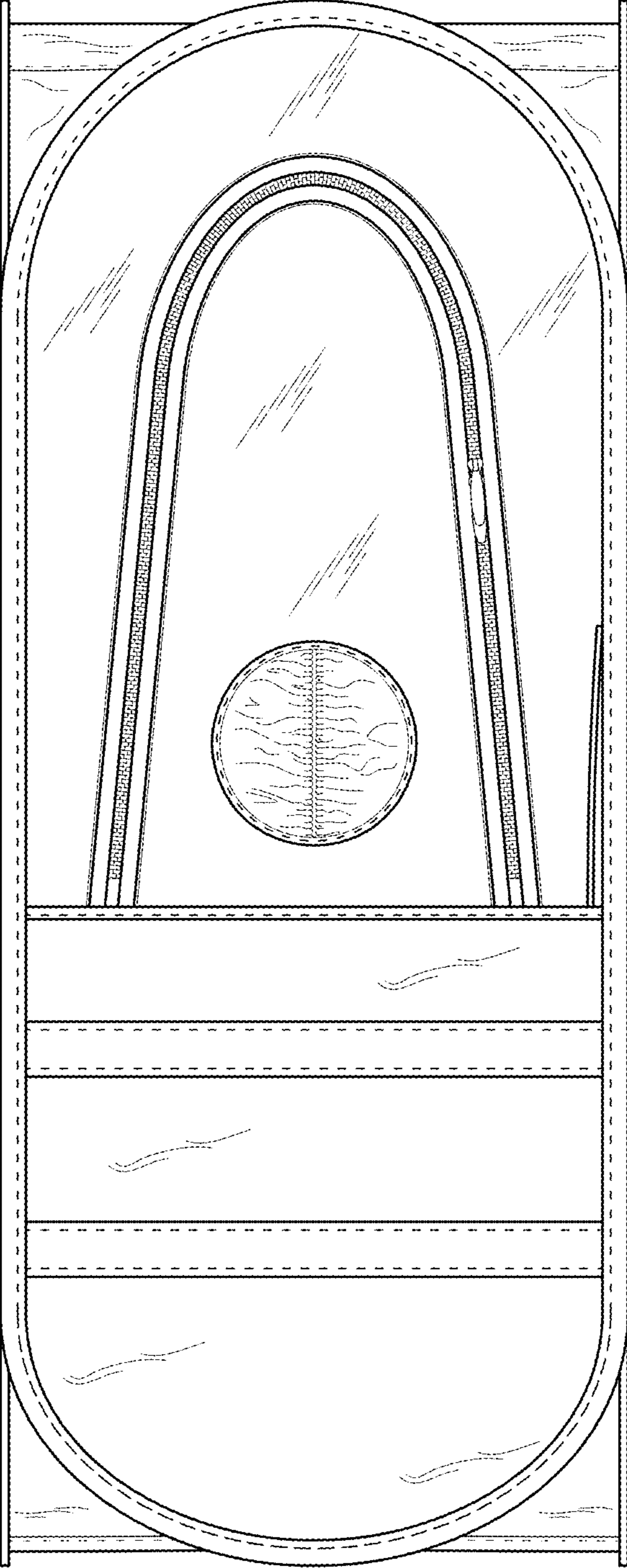


FIG. 6

FIG. 7

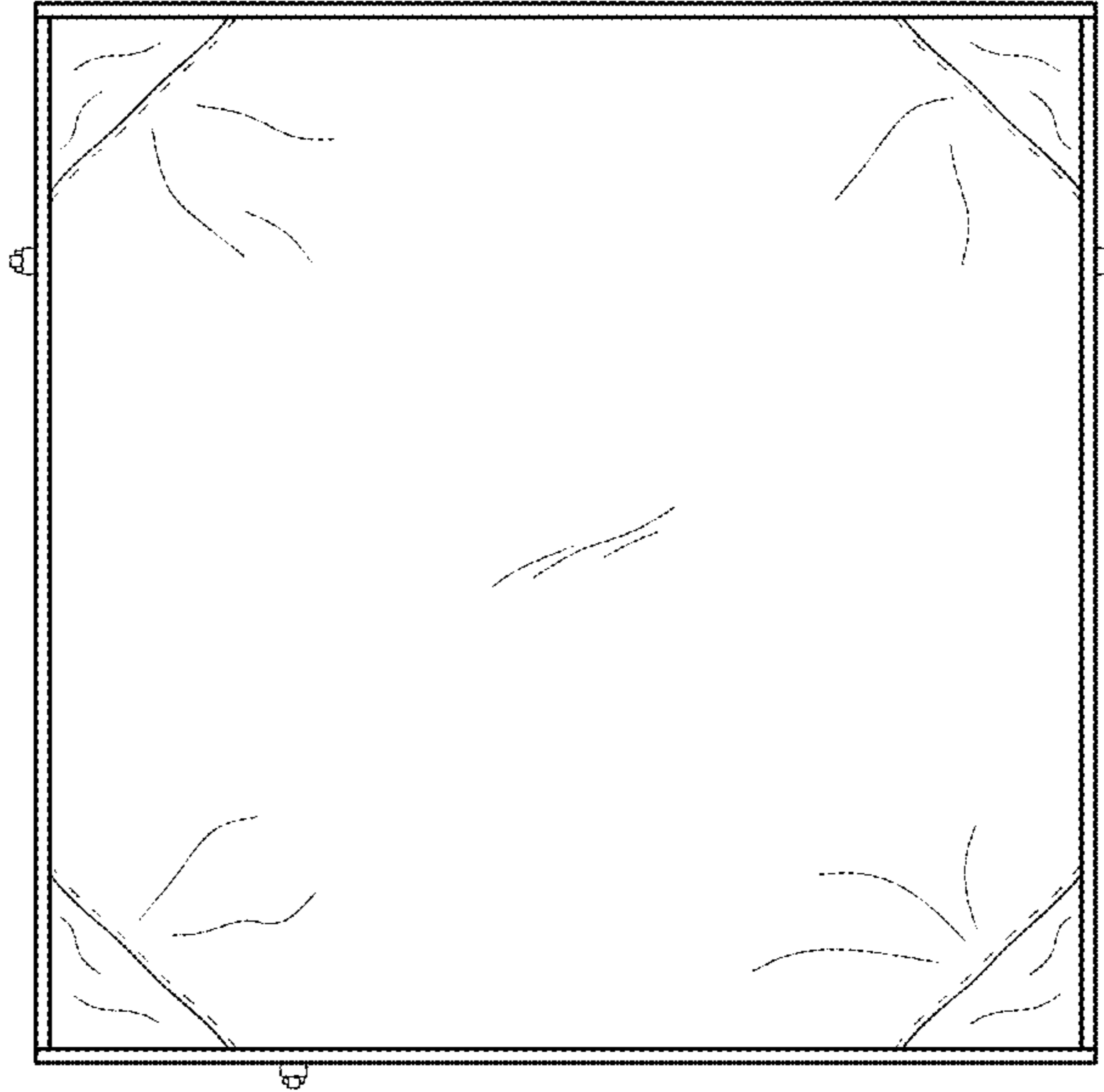


FIG. 8

