



US00D931968S

(12) **United States Design Patent** (10) **Patent No.:** **US D931,968 S**  
**Jossi** (45) **Date of Patent:** **\*\* Sep. 28, 2021**

(54) **GOLF ALIGNMENT DEVICE**  
(71) Applicant: **Craig Jossi**, Peoria, AZ (US)  
(72) Inventor: **Craig Jossi**, Peoria, AZ (US)  
(\*\*) Term: **15 Years**  
(21) Appl. No.: **29/727,865**  
(22) Filed: **Mar. 13, 2020**  
(51) **LOC (13) Cl.** ..... **21-02**  
(52) **U.S. Cl.**  
USPC ..... **D21/791**  
(58) **Field of Classification Search**  
USPC ..... D21/789, 791, 722  
CPC . A63B 69/36; A63B 69/3614; A63B 69/3632;  
A63B 69/3623; A63B 69/3608; A63B  
69/3661; A63B 69/3667; A63B 69/3691;  
A63B 69/3629; A63B 2214/0073; A63B  
2214/00; A63B 67/14; A63D 15/086;  
A63F 7/2436  
See application file for complete search history.

(56) **References Cited**  
U.S. PATENT DOCUMENTS  
3,253,829 A \* 5/1966 Ford ..... A63B 69/3632  
473/238  
4,682,775 A \* 7/1987 Wood ..... A63B 69/3632  
473/227  
D339,840 S \* 9/1993 Coconate ..... D21/717  
D347,457 S \* 5/1994 Armstrong, III ..... D21/791  
5,524,892 A \* 6/1996 Karp ..... A63B 69/3632  
473/201  
5,605,509 A \* 2/1997 Gray ..... A63B 69/3632  
473/237  
6,251,025 B1 \* 6/2001 Brock ..... A63B 69/3632  
473/227  
6,447,401 B1 \* 9/2002 Torkos ..... A63B 69/3632  
473/201  
7,059,970 B1 \* 6/2006 Hamburger ..... A63B 69/3685  
473/219

8,388,460 B1 \* 3/2013 Schantz ..... A63B 69/3685  
473/223  
D692,081 S \* 10/2013 Stallman ..... D21/791  
D708,285 S \* 7/2014 Miller ..... D21/791  
D736,332 S \* 8/2015 Daniel ..... D21/791  
9,333,408 B1 \* 5/2016 Hedrick ..... A63B 69/3632  
D797,228 S \* 9/2017 Zeigler ..... D21/789  
2003/0220151 A1 \* 11/2003 Bainter ..... A63B 69/3667  
473/270  
2006/0122000 A1 \* 6/2006 Paredes ..... A63B 69/3638  
473/219

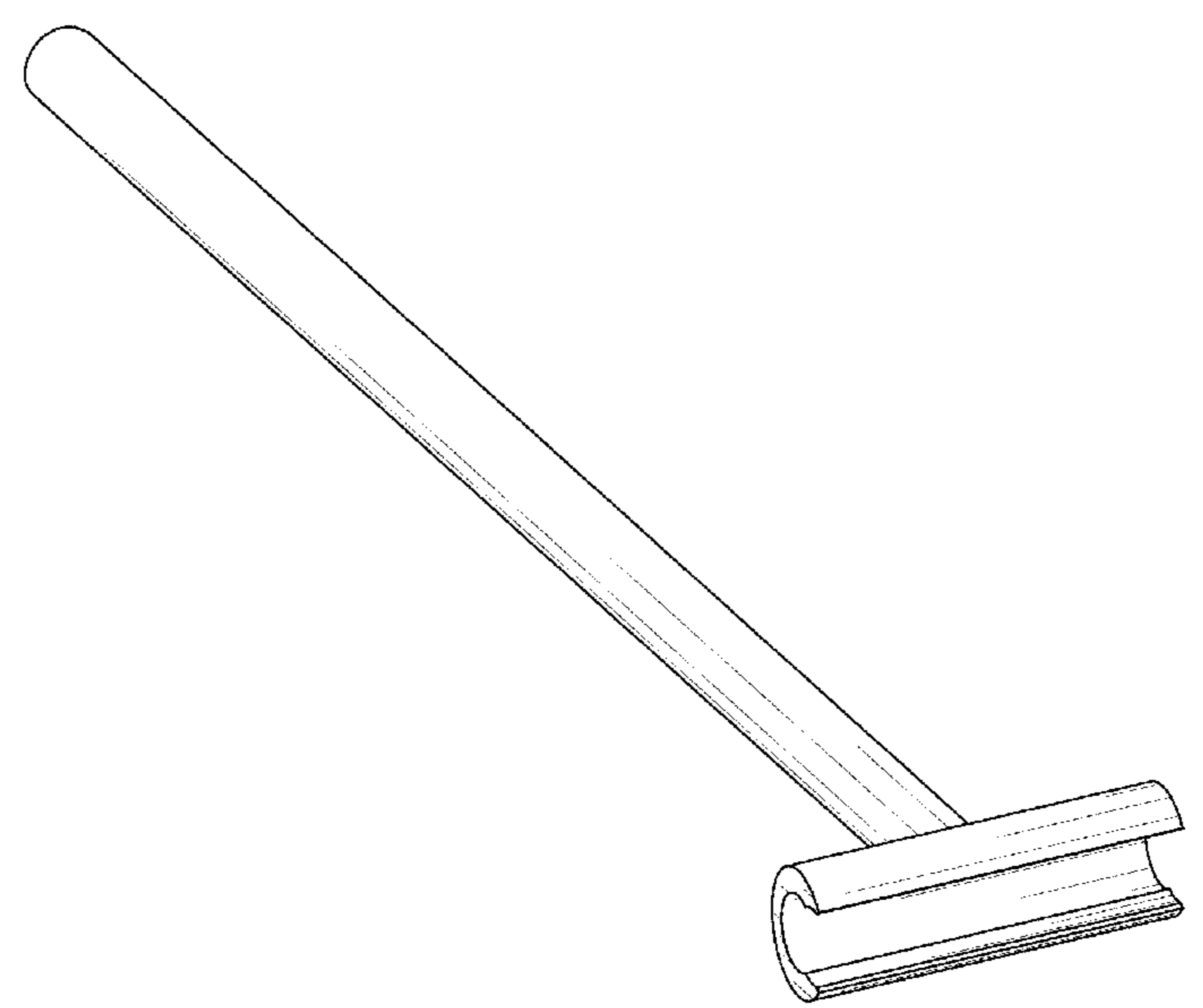
(Continued)

*Primary Examiner* — Mitchell I. Siegel  
(74) *Attorney, Agent, or Firm* — Adam R. Stephenson,  
Ltd.

(57) **CLAIM**  
The ornamental design for a golf alignment device, as shown  
and described.

**DESCRIPTION**  
FIG. 1 is a front and top perspective view of an implemen-  
tation of a golf alignment device;  
FIG. 2 is a top view thereof;  
FIG. 3 is bottom view thereof;  
FIG. 4 is a left-side view thereof;  
FIG. 5 is a right-side view thereof;  
FIG. 6 is a front view thereof;  
FIG. 7 is a rear view thereof;  
FIG. 8 is a front and top perspective view of another  
implementation of a golf alignment device;  
FIG. 9 is a top view thereof;  
FIG. 10 is bottom view thereof;  
FIG. 11 is a left-side view thereof;  
FIG. 12 is a right-side view thereof;  
FIG. 13 is a front view thereof; and,  
FIG. 14 is a rear view thereof.  
The broken lines shown on the article forms no part of the  
claimed design.

**1 Claim, 8 Drawing Sheets**



(56)

**References Cited**

U.S. PATENT DOCUMENTS

2015/0209643 A1\* 7/2015 Macaluso ..... A63B 69/3685  
473/238  
2015/0258411 A1\* 9/2015 Kronzer ..... A63B 69/3621  
473/266  
2020/0306611 A1\* 10/2020 Russo ..... A63B 69/3667

\* cited by examiner

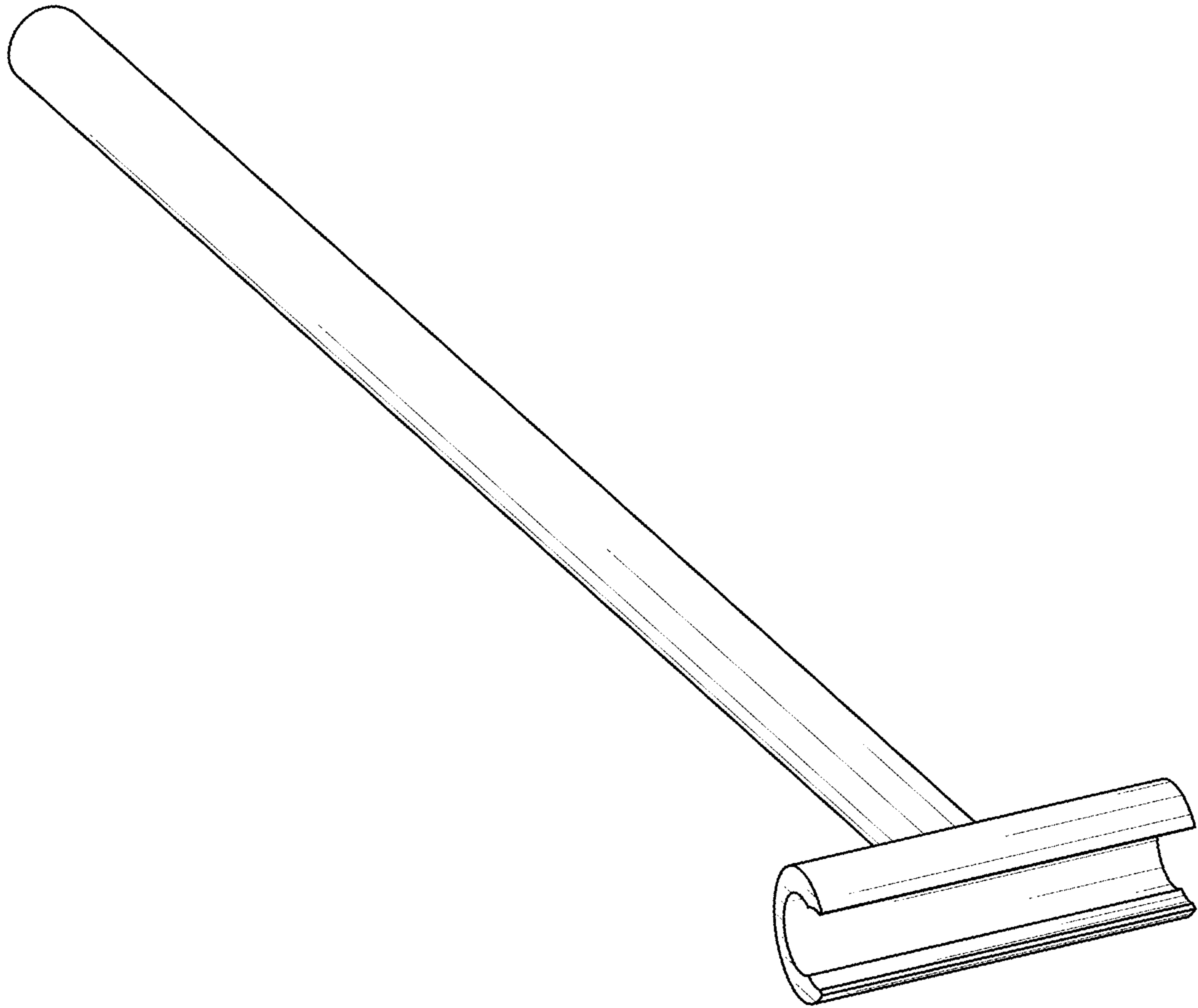


FIG. 1

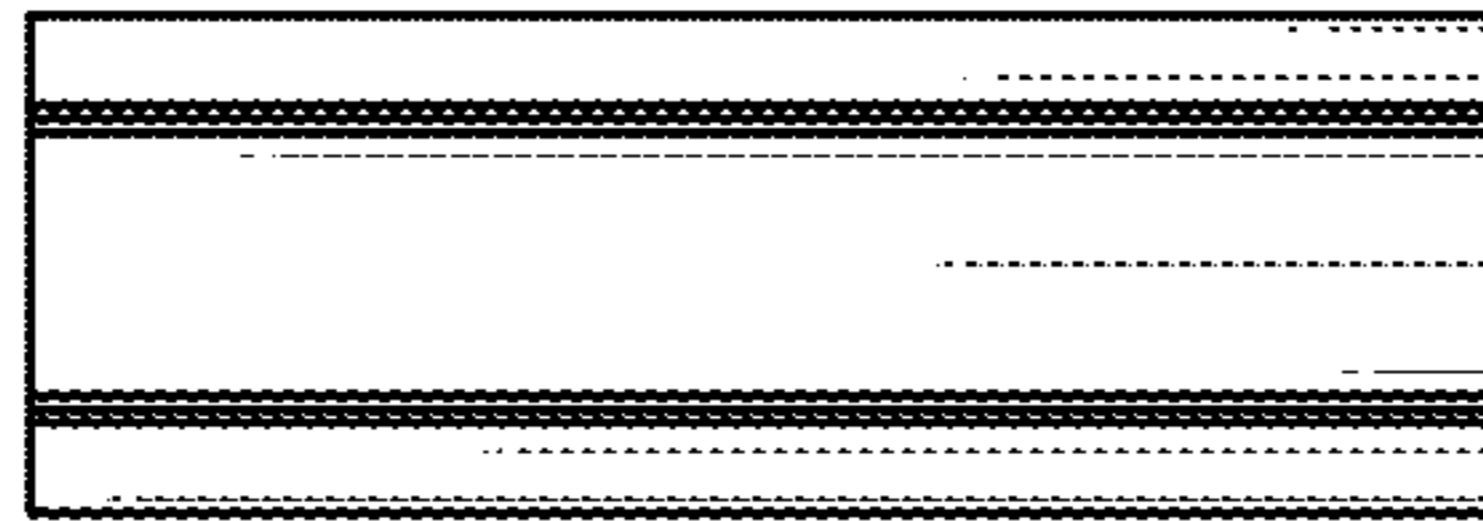


FIG. 2

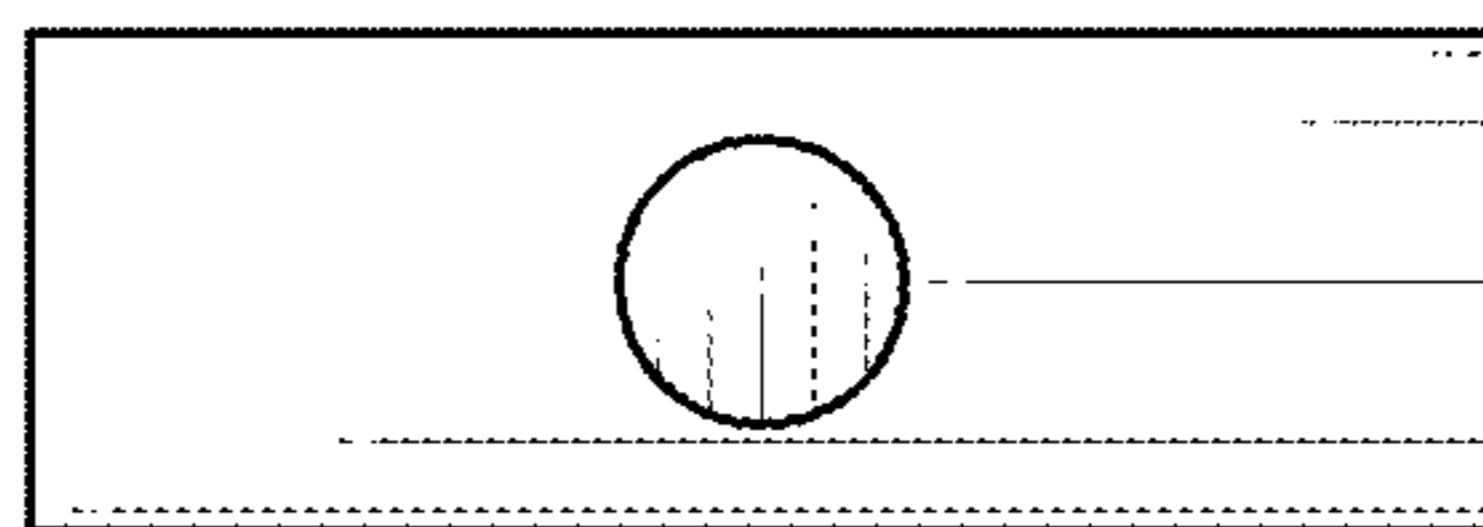


FIG. 3

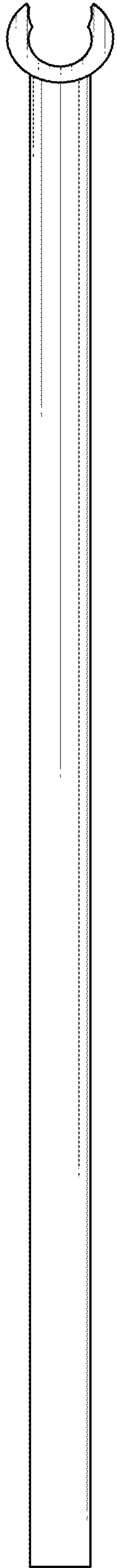


FIG. 4

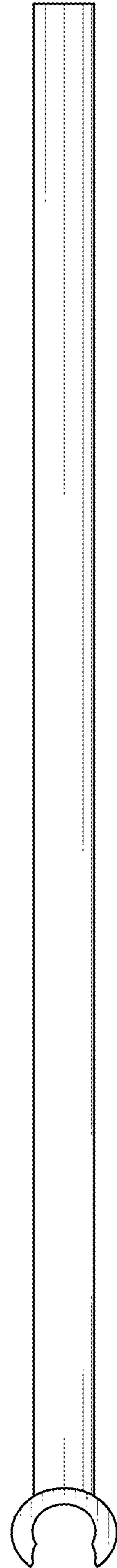


FIG. 5

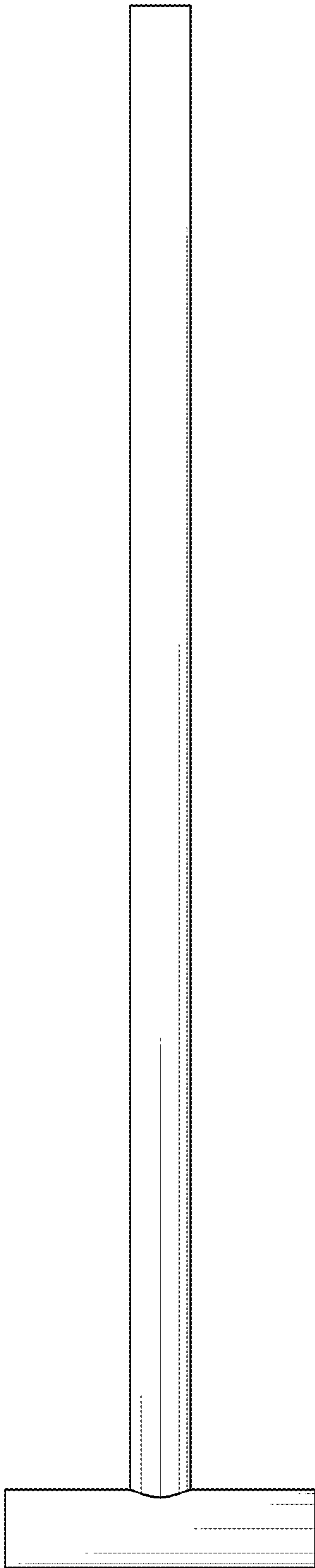


FIG. 6

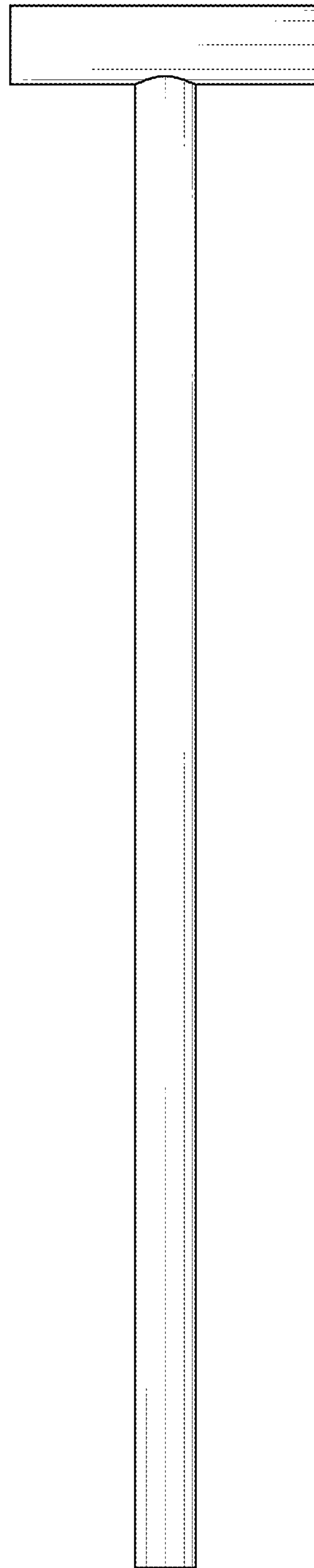


FIG. 7

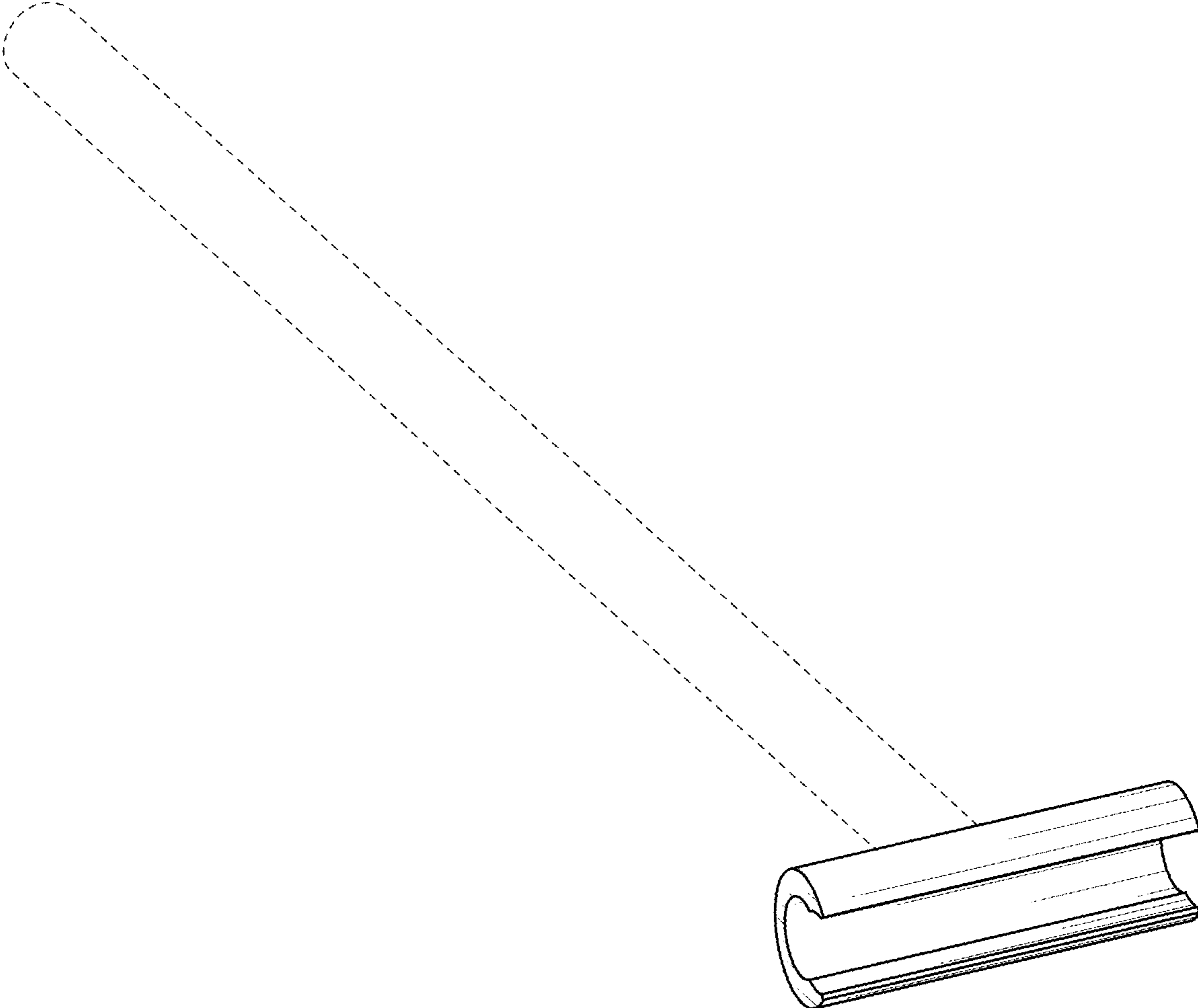


FIG. 8

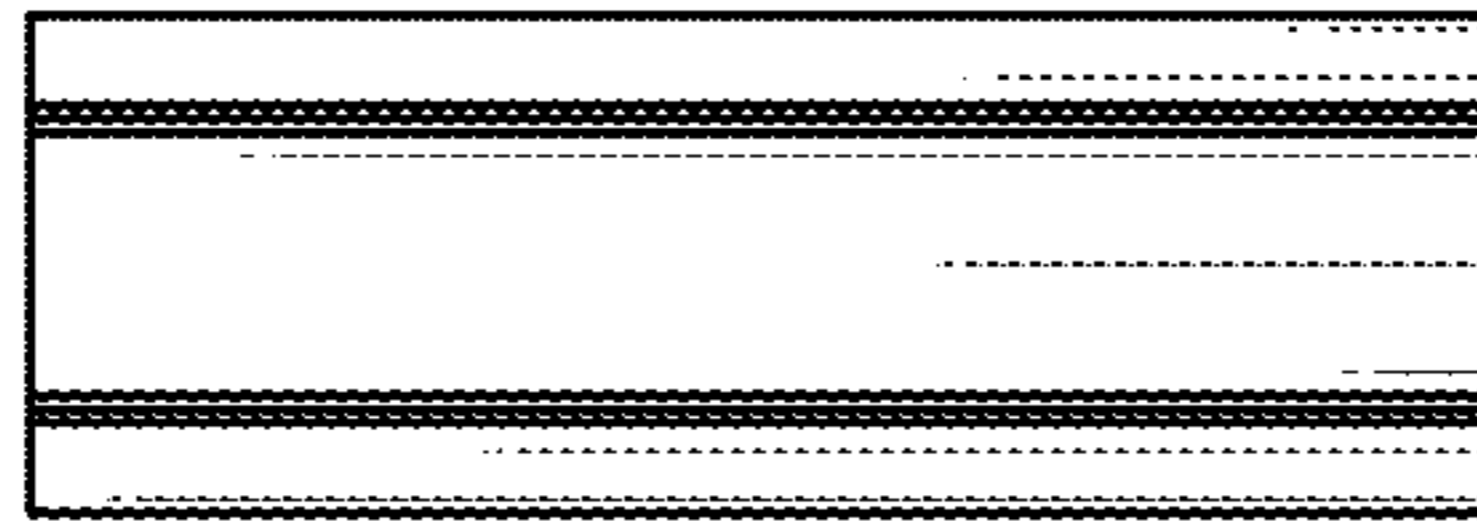


FIG. 9

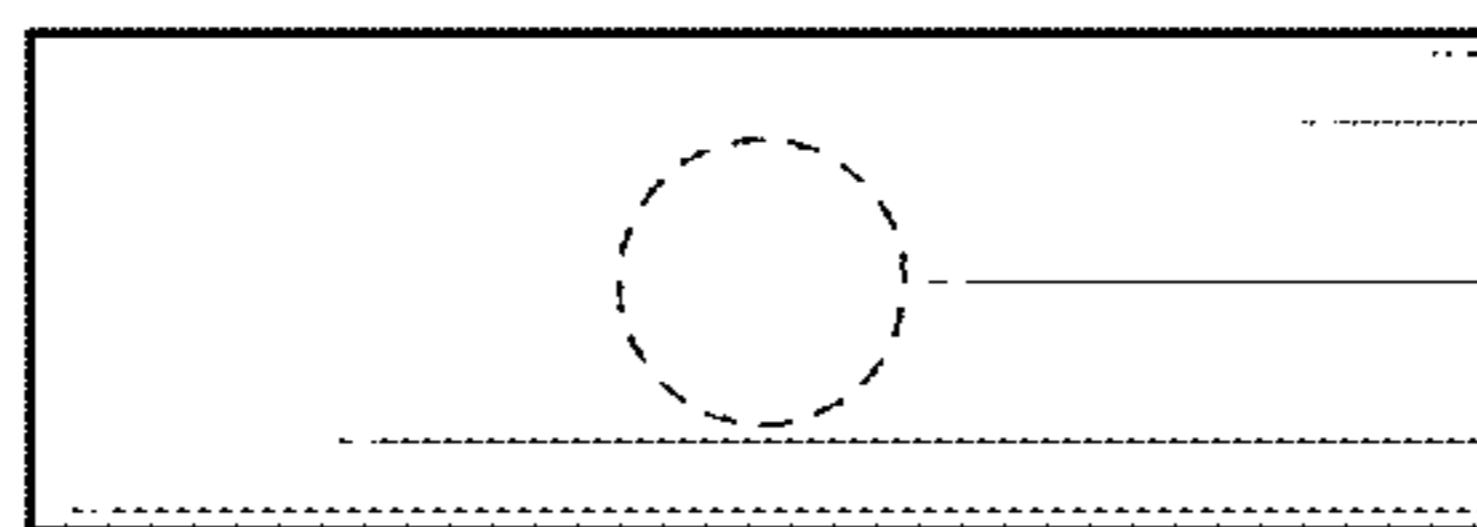


FIG. 10



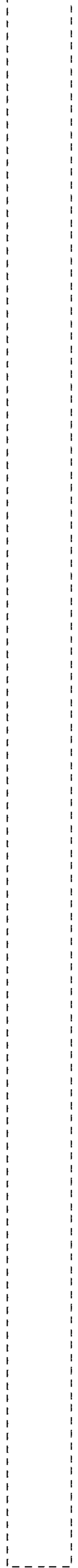
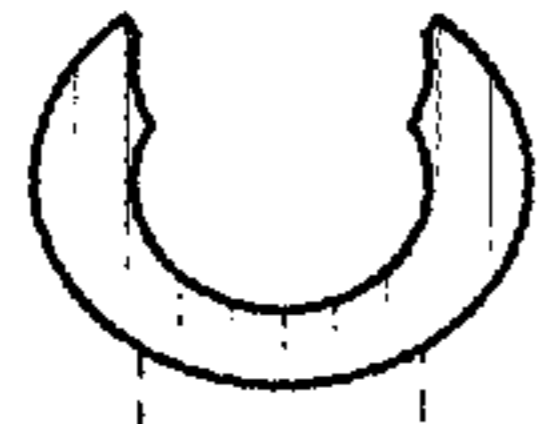


FIG. 11

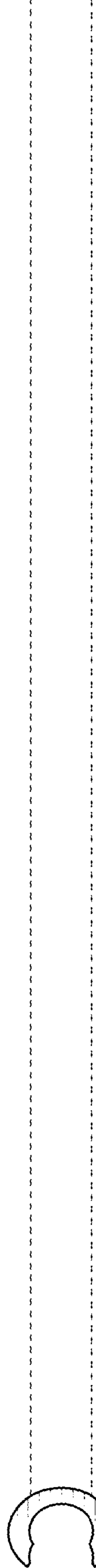


FIG. 12

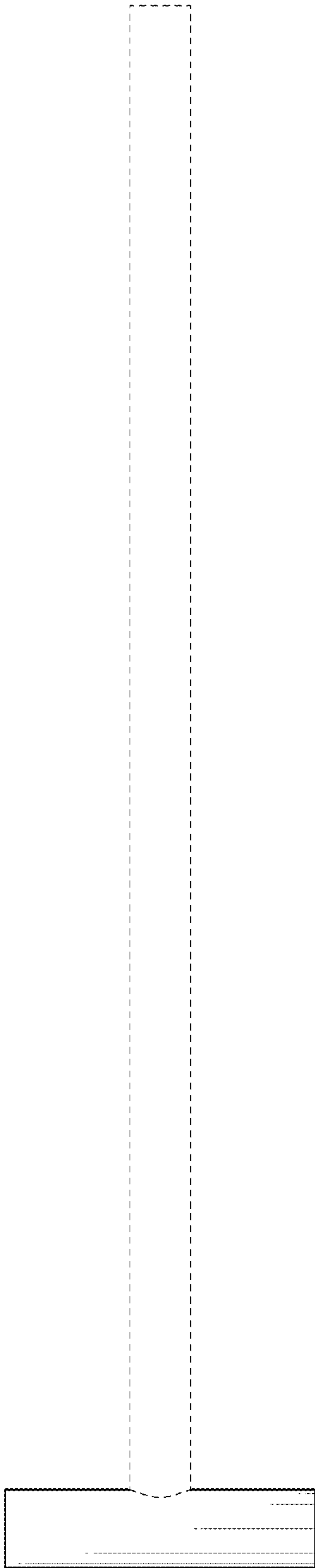


FIG. 13

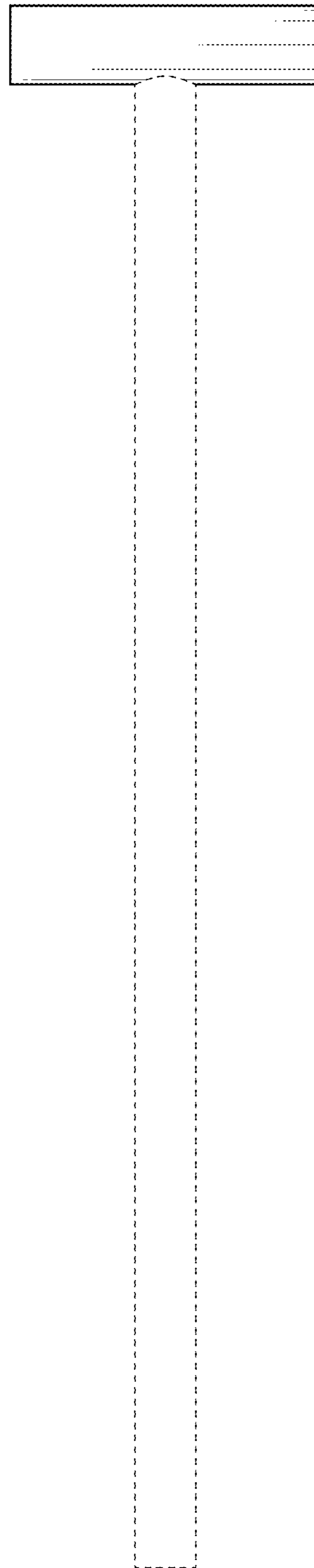


FIG. 14