



US00D931967S

(12) **United States Design Patent**
Michelini

(10) **Patent No.:** **US D931,967 S**

(45) **Date of Patent:** **** Sep. 28, 2021**

(54) **THREE-LINE GOLF BALL MARKER**

(71) Applicant: **Mark Ian Michelini**, Los Angeles, CA
(US)

(72) Inventor: **Mark Ian Michelini**, Los Angeles, CA
(US)

(**) Term: **15 Years**

(21) Appl. No.: **29/729,647**

(22) Filed: **Mar. 29, 2020**

(51) **LOC (13) Cl.** **21-02**

(52) **U.S. Cl.**
USPC **D21/789**

(58) **Field of Classification Search**
USPC D21/789, 793, 794
CPC A63B 69/3676; A63B 69/3697; A63B
69/3688; A63B 69/3655; A63B 45/02;
A63B 47/008

See application file for complete search history.

| | | | | | |
|--------------|-----|---------|-----------|-------|-------------------------|
| 2003/0109319 | A1* | 6/2003 | Andresen | | A63B 69/3688 473/200 |
| 2003/0153396 | A1* | 8/2003 | Andresen | | A63B 69/3688 473/280 |
| 2008/0271333 | A1* | 11/2008 | Sung | | A63B 57/00 33/562 |
| 2008/0271334 | A1* | 11/2008 | Sung | | A63B 57/20 33/562 |
| 2009/0054178 | A1* | 2/2009 | Perry | | A63B 57/50 473/406 |
| 2009/0186721 | A1* | 7/2009 | Kramski | | A63B 69/3676 473/407 |
| 2010/0095858 | A1* | 4/2010 | Krikorian | | A63B 43/008 101/35 |
| 2013/0090186 | A1* | 4/2013 | Edison | | A63B 43/00 473/351 |

(Continued)

Primary Examiner — Mitchell I. Siegel

(74) *Attorney, Agent, or Firm* — Lazaris IP

(57) **CLAIM**

The ornamental design for a three-line golf ball marker, as shown and described.

(56) **References Cited**

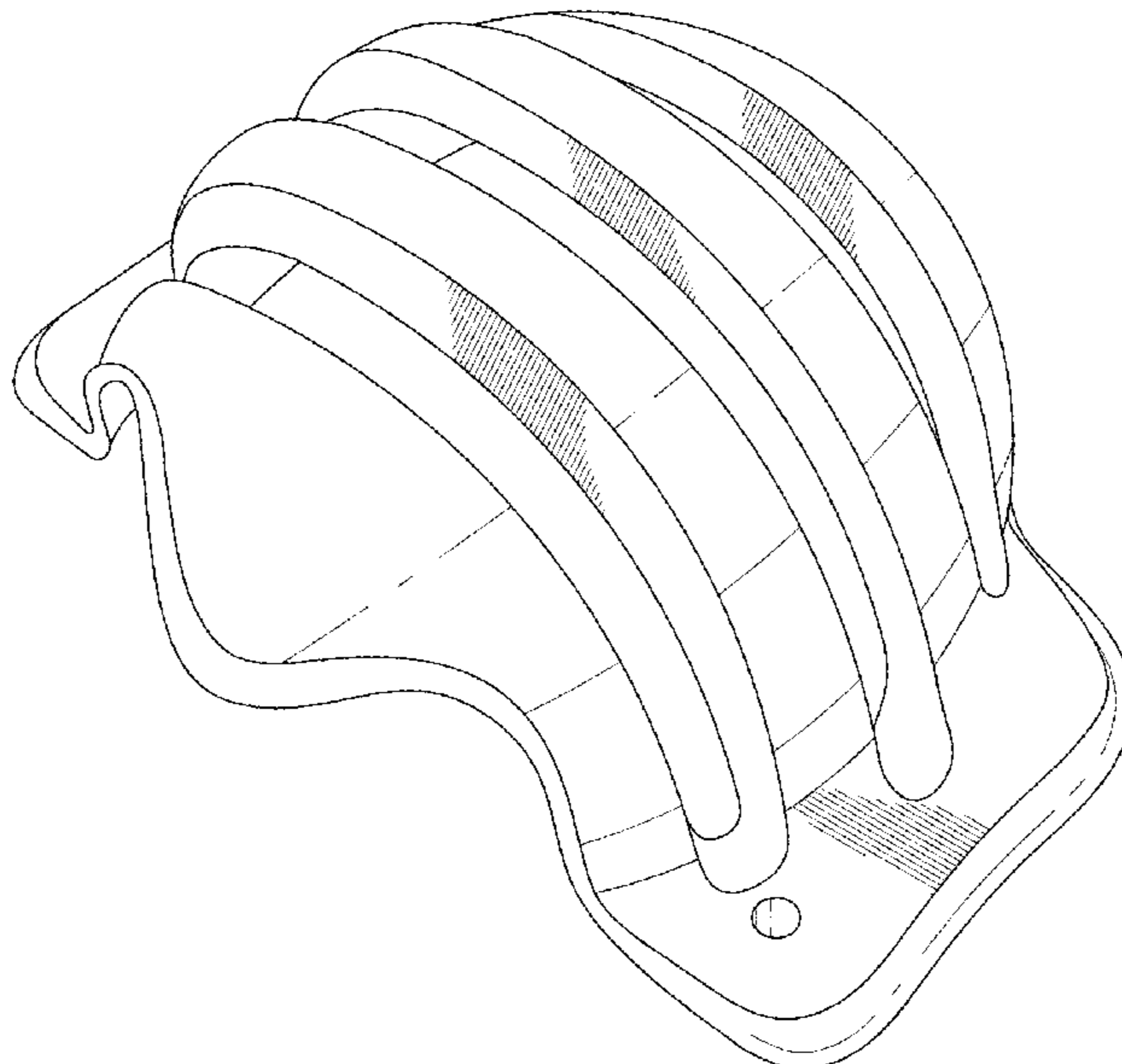
U.S. PATENT DOCUMENTS

| | | | | | |
|--------------|-----|---------|---------|-------|-------------------------|
| D301,554 | S * | 6/1989 | Ogawa | | D10/46 |
| D323,301 | S * | 1/1992 | Cheng | | D10/46 |
| 6,004,223 | A * | 12/1999 | Newcomb | | A63B 69/3688 101/127 |
| D531,248 | S * | 10/2006 | Burnett | | D21/789 |
| D542,875 | S * | 5/2007 | Rankin | | A63B 45/02 D21/789 |
| D558,291 | S * | 12/2007 | Burnett | | D10/82 |
| D569,469 | S * | 5/2008 | Dingman | | D21/789 |
| D604,786 | S * | 11/2009 | Millar | | A63B 45/02 D21/789 |
| D707,318 | S * | 6/2014 | Kim | | D21/789 |
| D724,684 | S * | 3/2015 | Cohen | | D21/789 |
| 2001/0053721 | A1* | 12/2001 | Tyke | | A63B 69/3688 473/257 |
| 2002/0086741 | A1* | 7/2002 | Newcomb | | A63B 37/0003 473/351 |

DESCRIPTION

FIG. 1 is a top, rear, and right perspective view of a three-line golf ball marker according to the present design; FIG. 2 is a left side elevation view of a three-line golf ball marker according to the present design; FIG. 3 is a right side elevation view of a three-line golf ball marker according to the present design; FIG. 4 is a front elevation view of a three-line golf ball marker according to the present design; FIG. 5 is a rear elevation view of a three-line golf ball marker according to the present design; FIG. 6 is a top plan view of a three-line golf ball marker according to the present design; and, FIG. 7 is a bottom plan view of a three-line golf ball marker according to the present design.

1 Claim, 4 Drawing Sheets



(56)

References Cited

U.S. PATENT DOCUMENTS

2013/0092036 A1* 4/2013 Barrett A63B 45/02
101/35
2015/0075395 A1* 3/2015 Liao B41F 17/30
101/35
2021/0220706 A1* 7/2021 Nam A63B 57/30

* cited by examiner

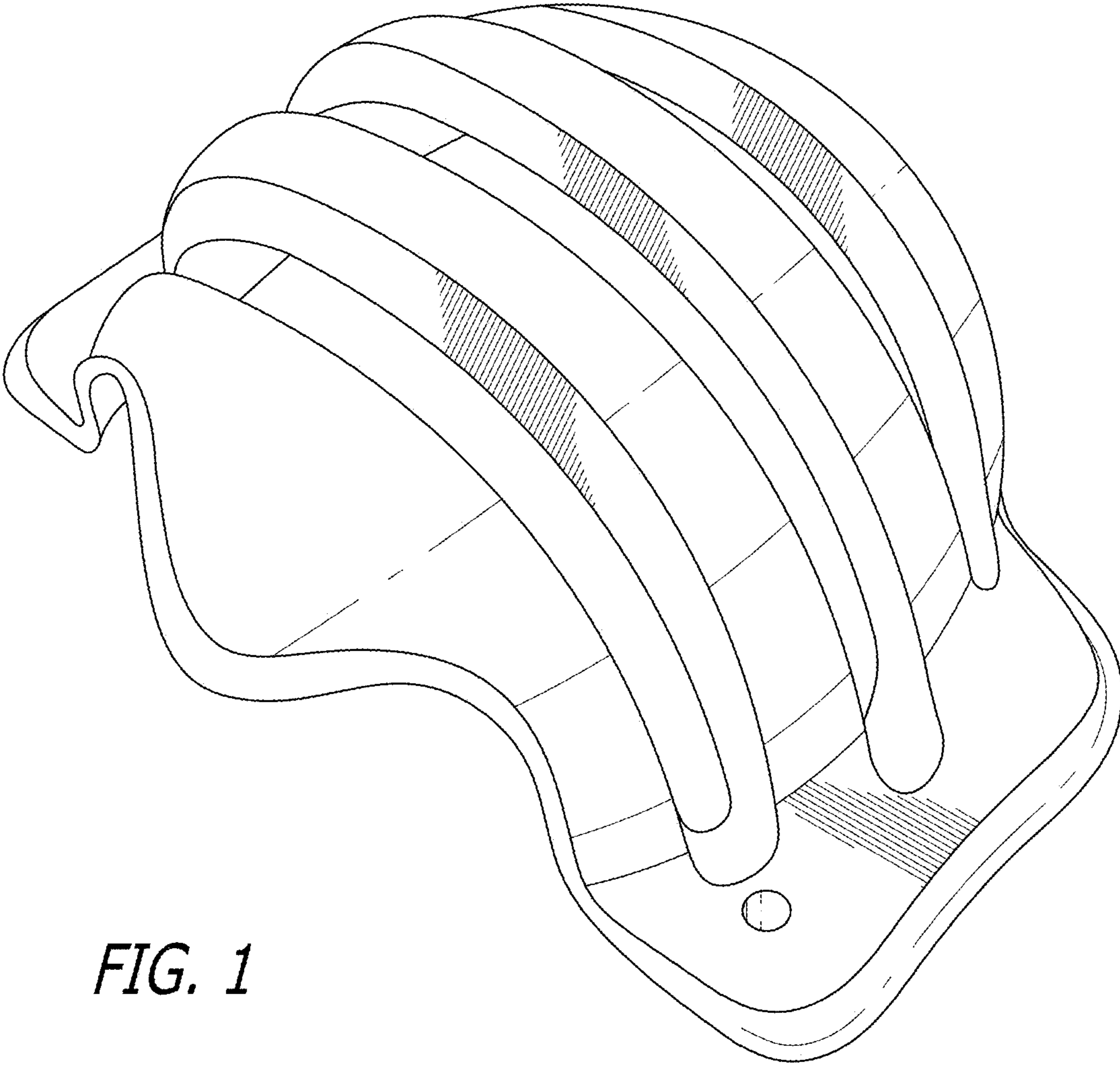


FIG. 1

FIG. 2

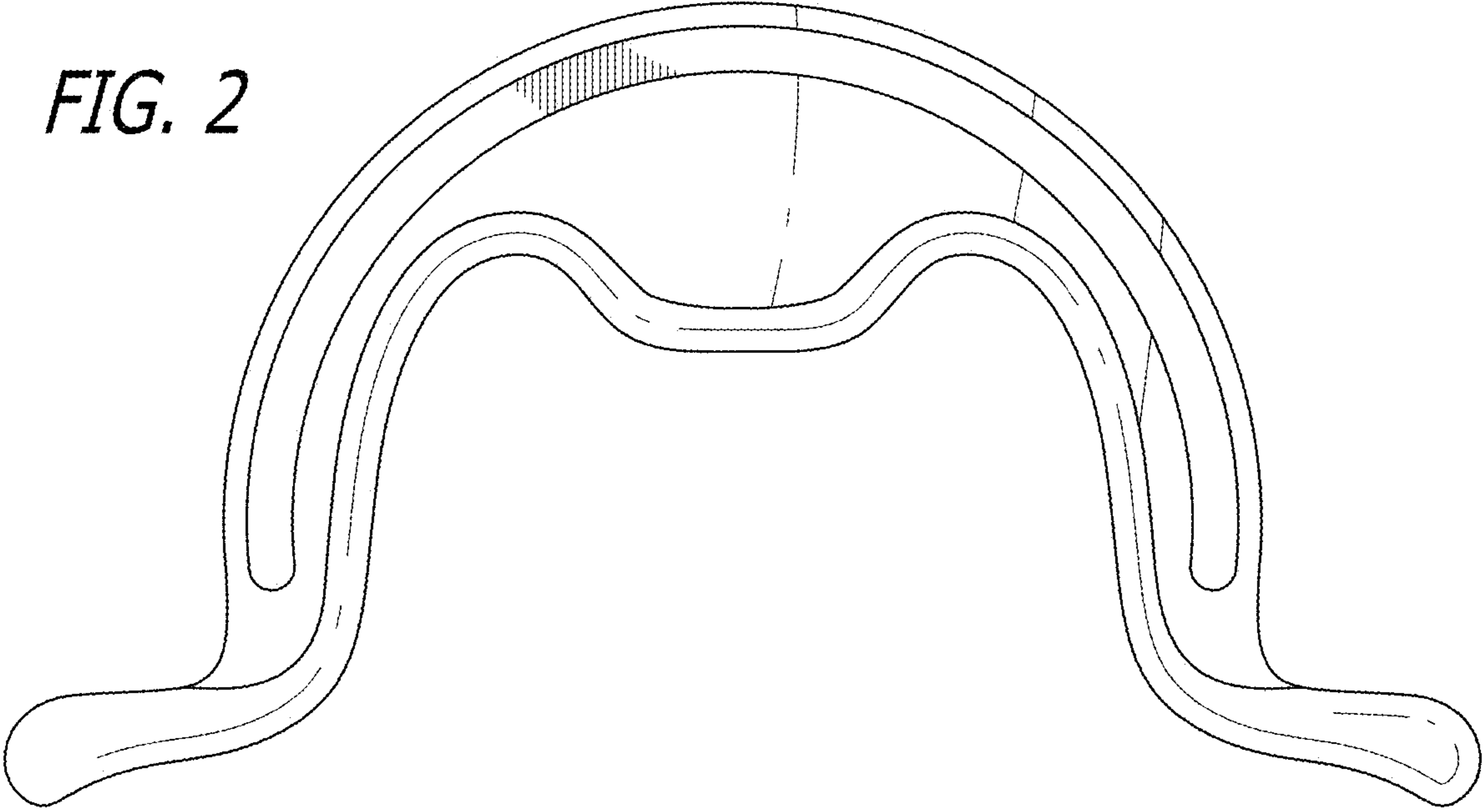


FIG. 3

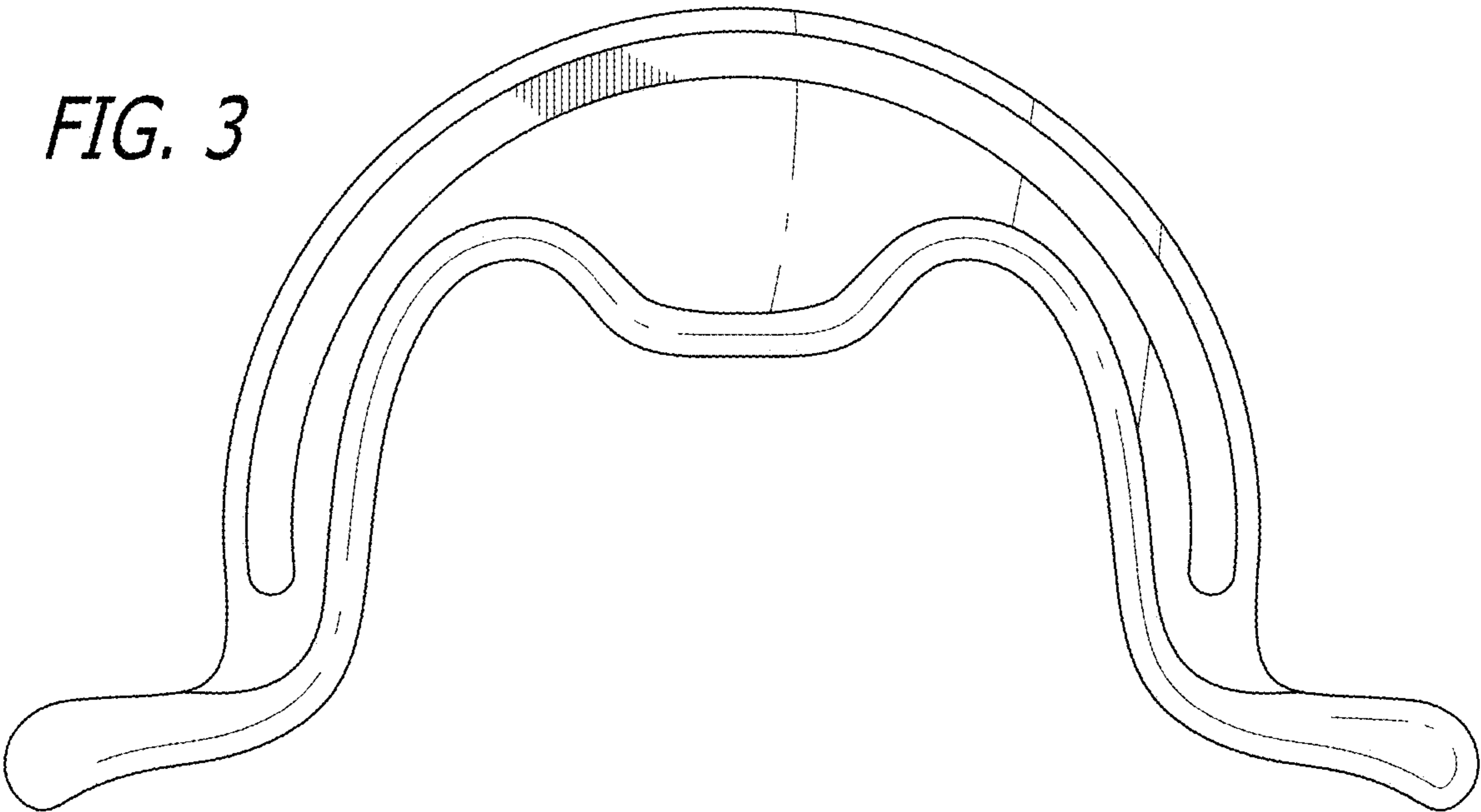


FIG. 4

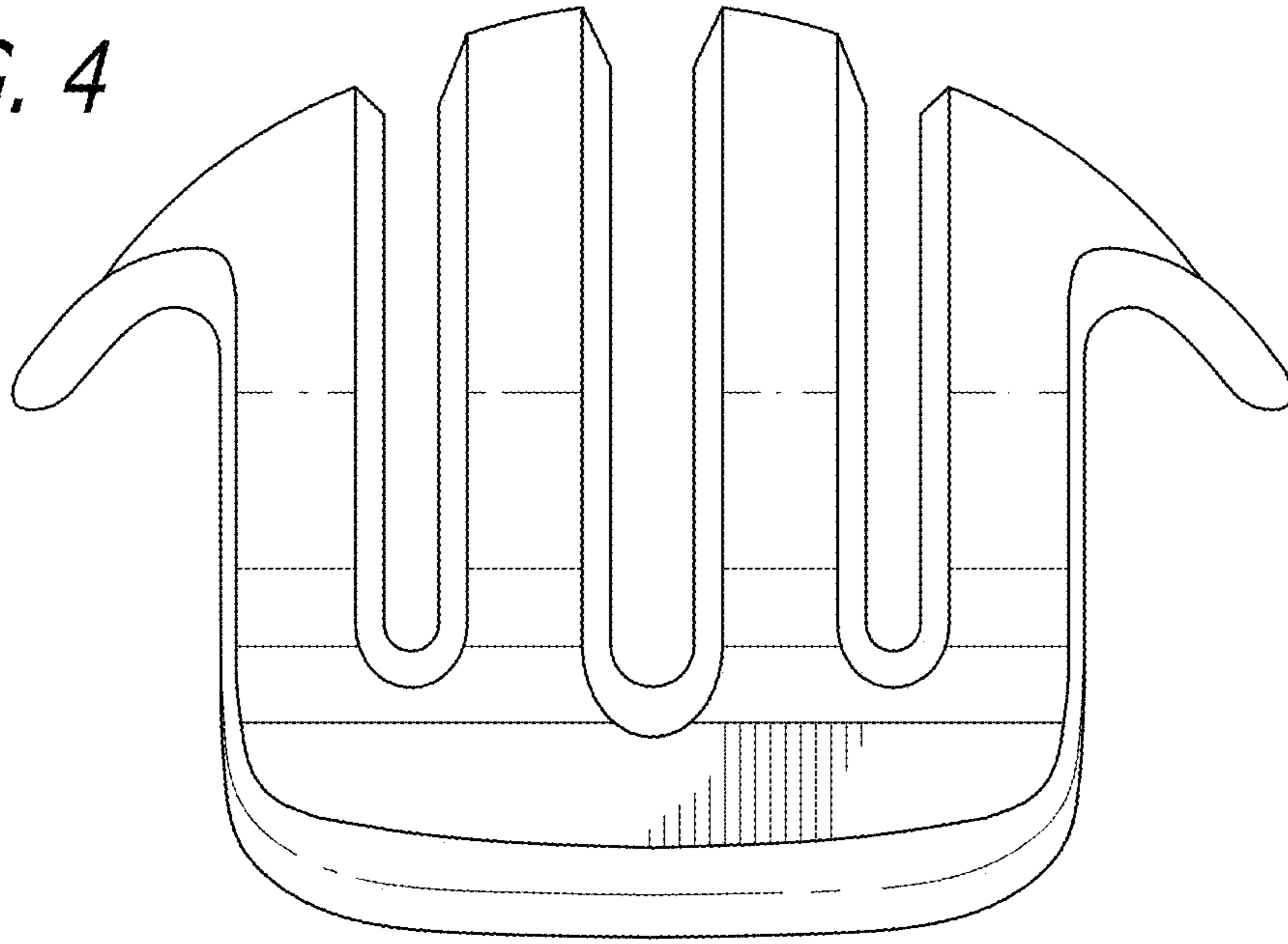


FIG. 5

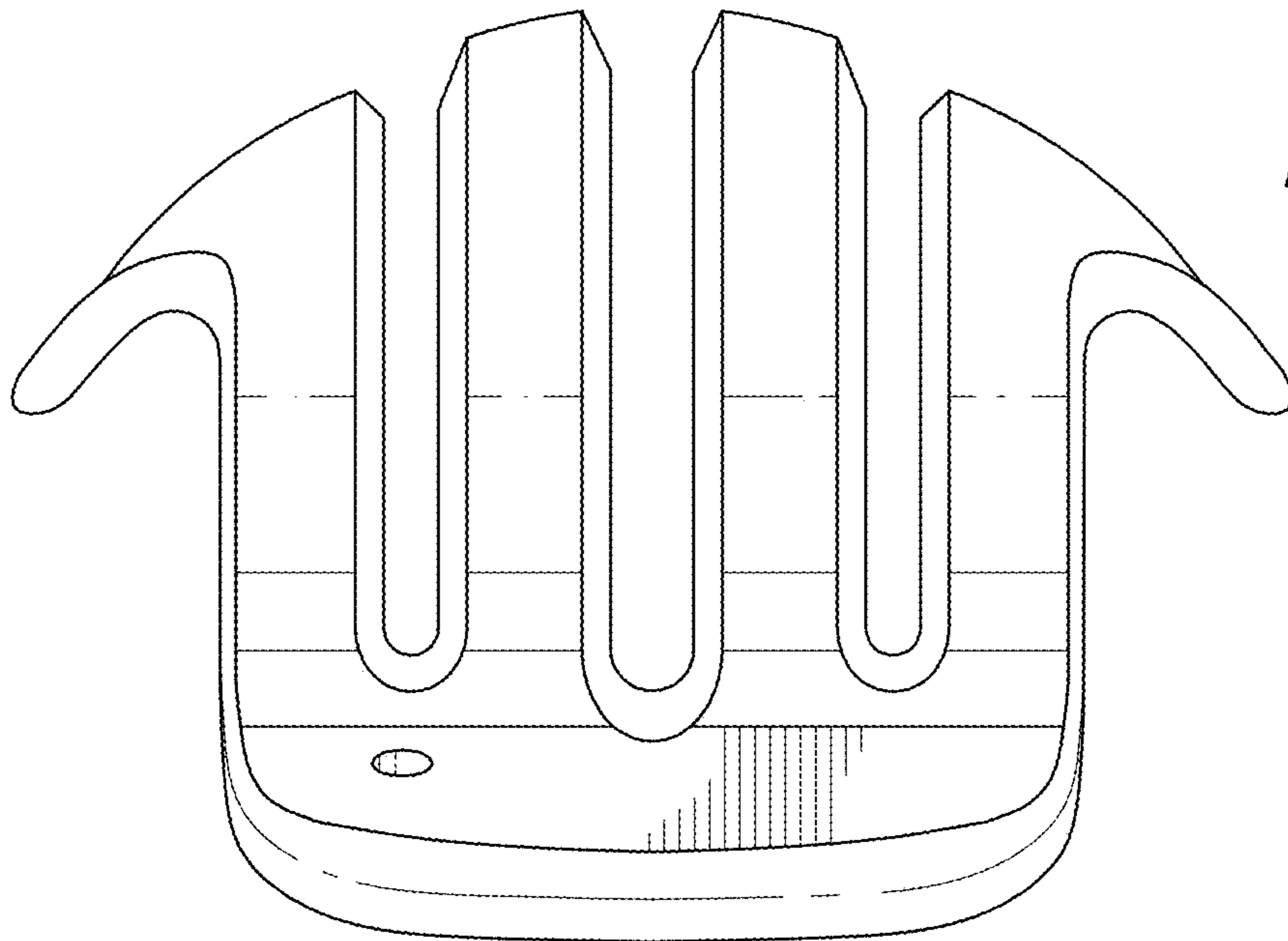


FIG. 6

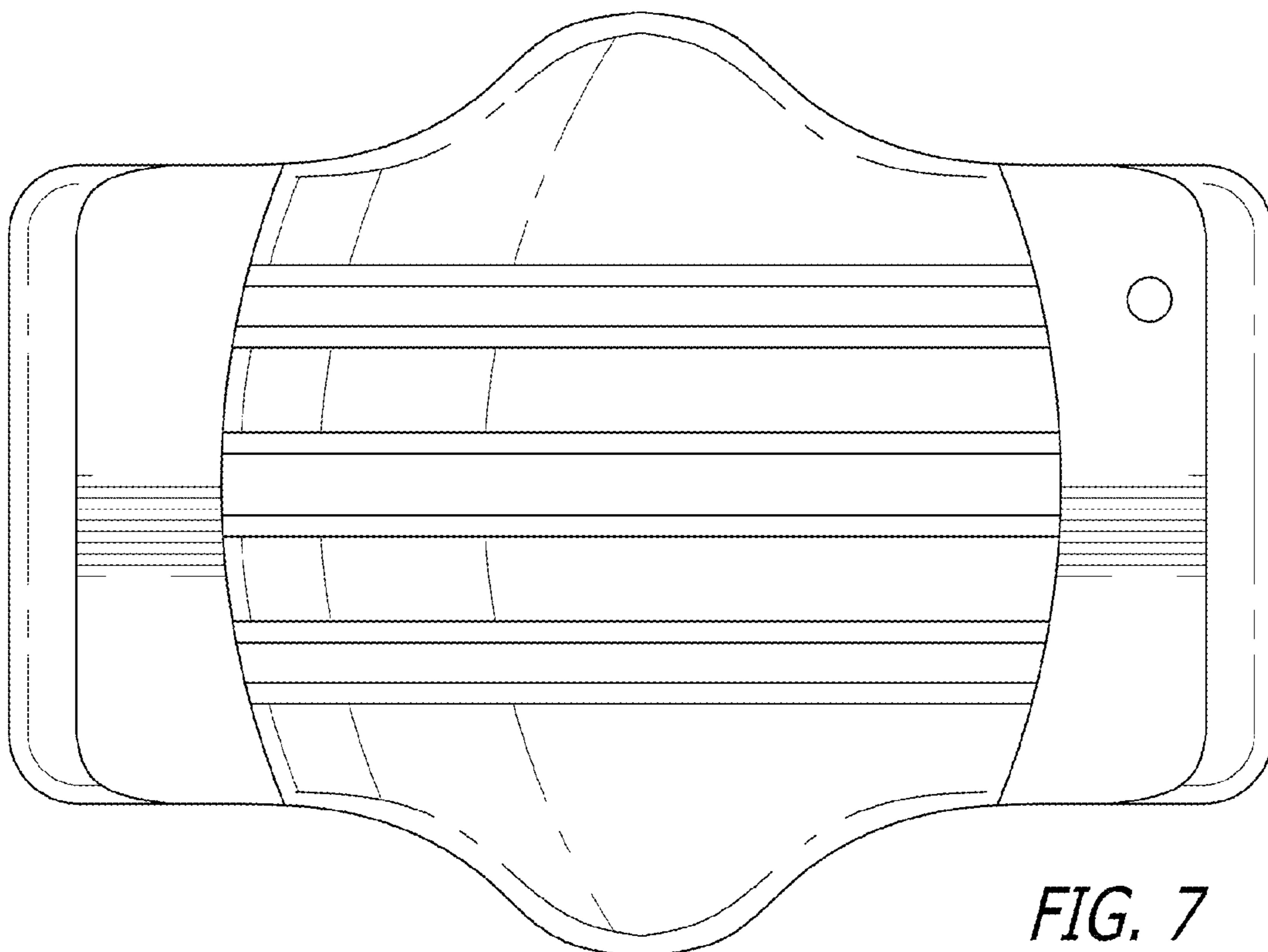
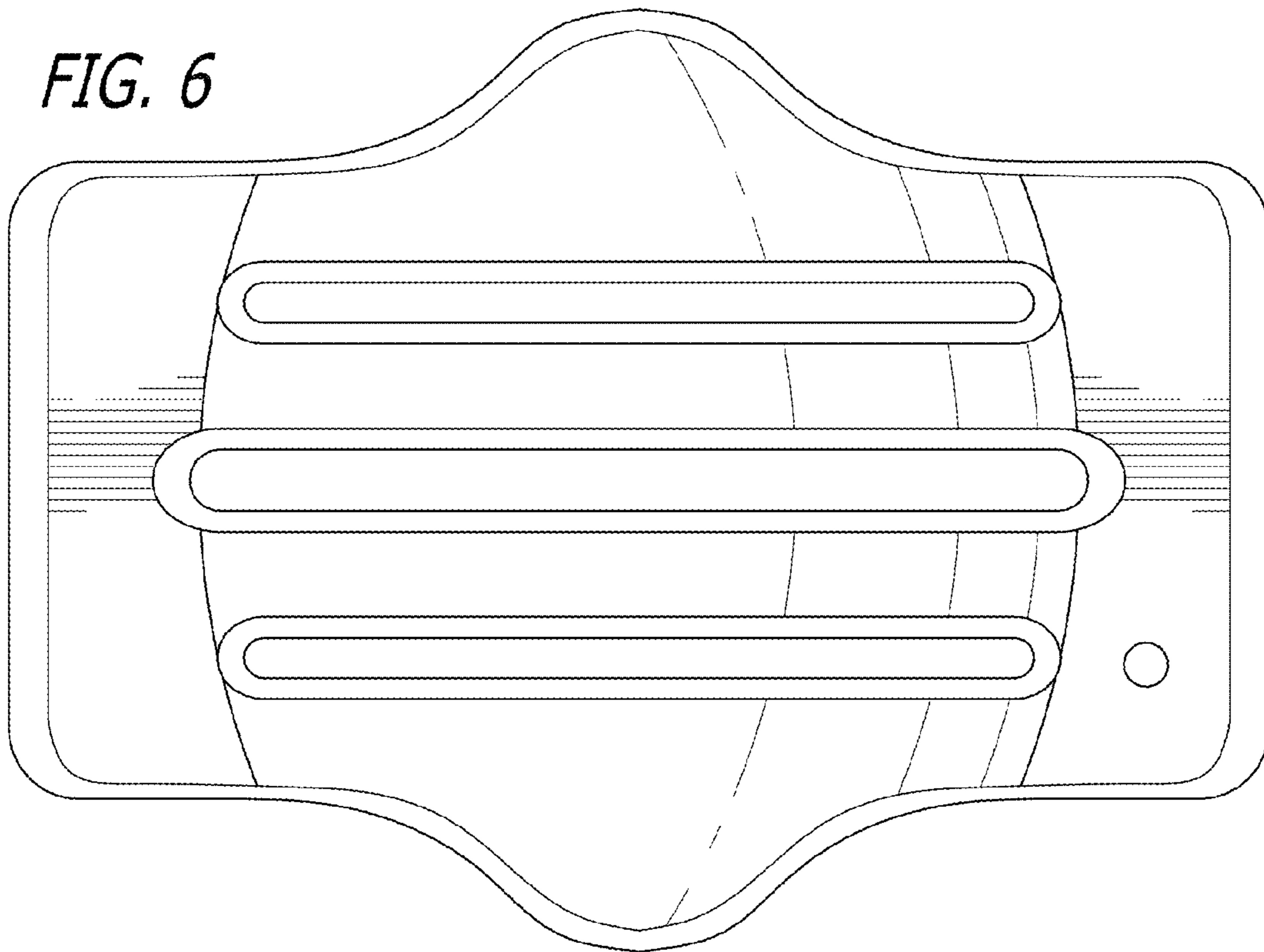


FIG. 7