

US00D931966S

(12) **United States Design Patent**
Carey

(10) **Patent No.:** **US D931,966 S**

(45) **Date of Patent:** **** Sep. 28, 2021**

(54) **BAT GRIP**

(71) Applicant: **Hunter Carey**, Dorchester, MA (US)

(72) Inventor: **Hunter Carey**, Dorchester, MA (US)

(**) Term: **15 Years**

(21) Appl. No.: **29/725,134**

(22) Filed: **Feb. 21, 2020**

(51) **LOC (13) Cl.** **21-03**

(52) **U.S. Cl.**

USPC **D21/753**; D21/780

(58) **Field of Classification Search**

USPC D21/684, 722, 725, 753, 756-758, 780

CPC A63B 59/00; A63B 59/50-58; A63B

2102/00; A63B 2102/10; A63B 2102/12;

A63B 2102/26; A63B 2102/28; A63B

2102/30; A63B 2102/38; A63B 59/60-80

See application file for complete search history.

(56) **References Cited**

U.S. PATENT DOCUMENTS

472,006 A * 3/1892 Walk et al. B26B 29/02
30/295

855,016 A * 5/1907 Orthwein A63B 53/14
473/206

1,587,287 A * 6/1926 Denman A63B 53/14
473/205

1,692,201 A * 11/1928 Denman A63B 53/14
473/205

2,546,118 A * 3/1951 Wright A45D 29/22
132/73

2,591,523 A * 4/1952 Dick G05G 1/06
2/17

2,710,190 A * 6/1955 Schimansky A63B 53/14
473/206

2,780,464 A * 2/1957 Ashley A63B 60/10
473/206

3,203,697 A * 8/1965 Berzatzky A63B 60/16
473/538

3,227,455 A * 1/1966 Hulsman A63B 60/14
473/206

3,674,268 A * 7/1972 Shellman, Sr. A63B 59/40
473/526

4,226,418 A * 10/1980 Balfour A63B 49/08
473/551

4,423,868 A * 1/1984 Younts A63B 60/06
473/564

4,697,377 A * 10/1987 Martin A63B 60/50
43/23

4,977,621 A * 12/1990 Richard A41D 13/082
2/161.1

D365,622 S * 12/1995 Edwards D22/117
(Continued)

Primary Examiner — Mitchell I. Siegel

(74) *Attorney, Agent, or Firm* — Daniel J. Holmander

(57) **CLAIM**

The ornamental design for a bat grip, as shown and described.

DESCRIPTION

FIG. 1 is a right side view of a bat grip in accordance with the subject disclosure; the left side view is a mirror image thereof.

FIG. 2 is a top view thereof.

FIG. 3 is a rear view thereof

FIG. 4 is a front perspective view thereof.

FIG. 5 is a rear perspective view thereof.

FIG. 6 is a left side rear perspective view thereof assembled onto a baseball bat.

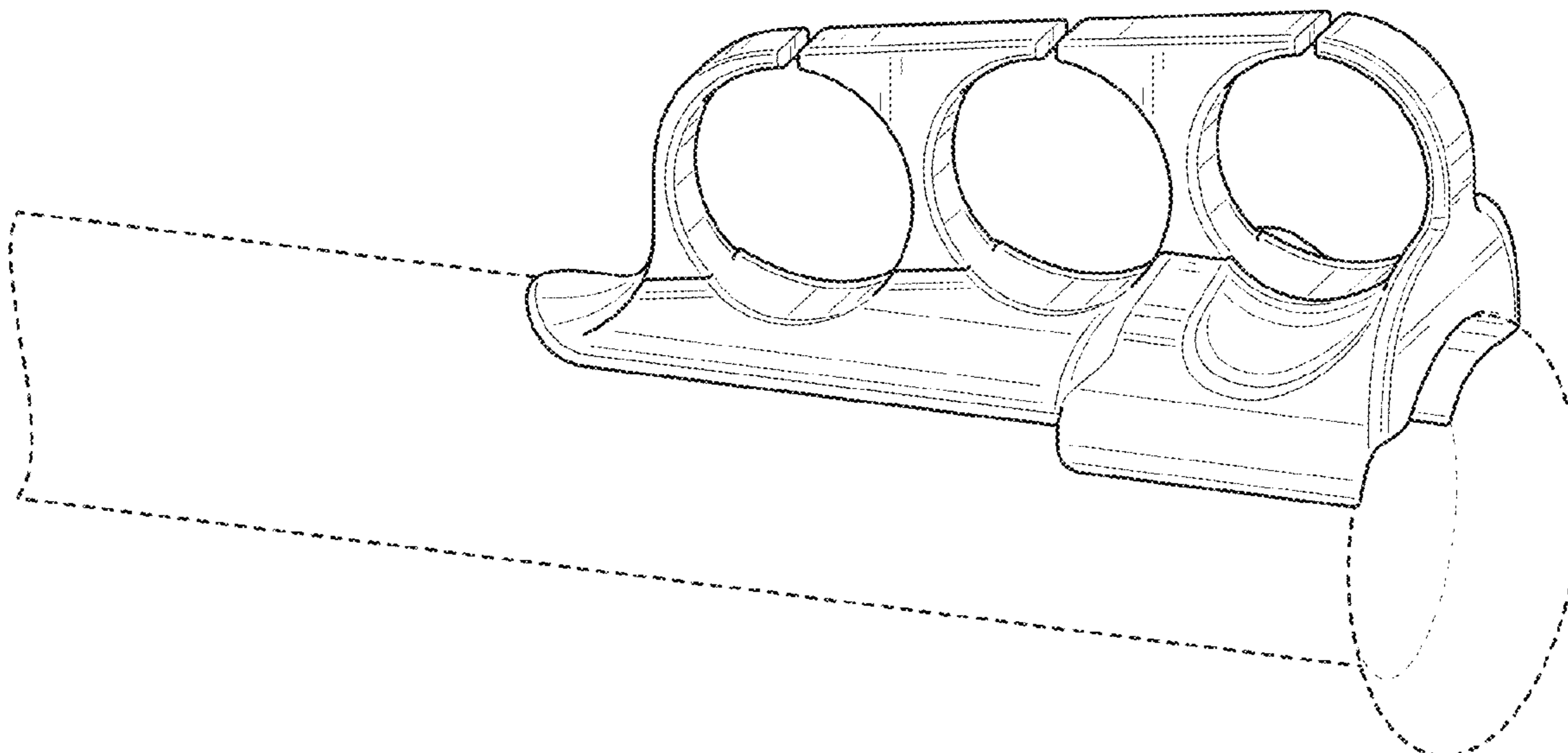
FIG. 7 is a right side rear perspective view thereof assembled onto a baseball bat.

FIG. 8 is a bottom view of the bat grip in accordance with the subject disclosure; and,

FIG. 9 is a front view of the bat grip in accordance with the subject disclosure.

The broken lines illustrate a bat used with the bat grip, where the bat forms no part of the claimed design.

1 Claim, 9 Drawing Sheets



(56)

References Cited

U.S. PATENT DOCUMENTS

5,839,983 A * 11/1998 Kramer A63B 60/12
 473/568
 6,482,113 B1 * 11/2002 Finn A63B 60/00
 473/551
 D728,725 S * 5/2015 Anderson D22/108
 9,364,734 B1 * 6/2016 Dixon, Jr. A63B 71/0622
 D776,024 S * 1/2017 Jordan D12/179
 D793,495 S * 8/2017 Ffrench D21/684
 D847,919 S * 5/2019 Jhaveri D21/684
 D854,005 S * 7/2019 Hayes A45F 5/00
 D14/251
 2006/0027614 A1 * 2/2006 Hall, Jr. A63B 60/10
 224/220
 2009/0312125 A1 * 12/2009 Kearns A63B 69/0002
 473/451
 2010/0087279 A1 * 4/2010 Jennings A63B 71/14
 473/516
 2010/0151975 A1 * 6/2010 Hisle A63B 60/12
 473/568
 2014/0373244 A1 * 12/2014 Jhaveri A63B 71/14
 2/20
 2017/0106261 A1 * 4/2017 DePaoli A63B 60/14
 2017/0348584 A1 * 12/2017 Rhodes A41D 13/0568
 2018/0055108 A1 * 3/2018 Long A41D 19/01523
 2019/0290984 A1 * 9/2019 Sharum A63B 59/50

* cited by examiner

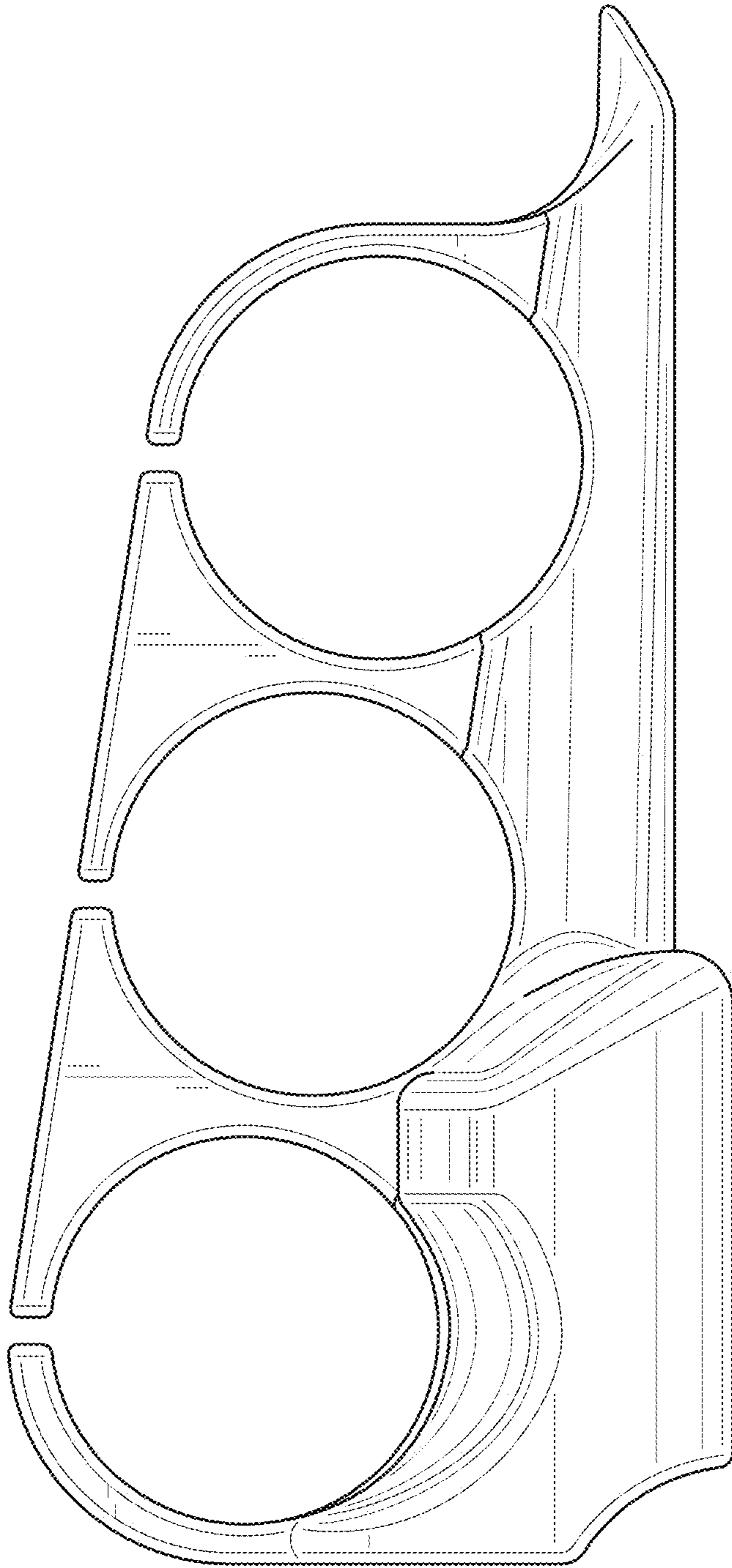


FIG. 1

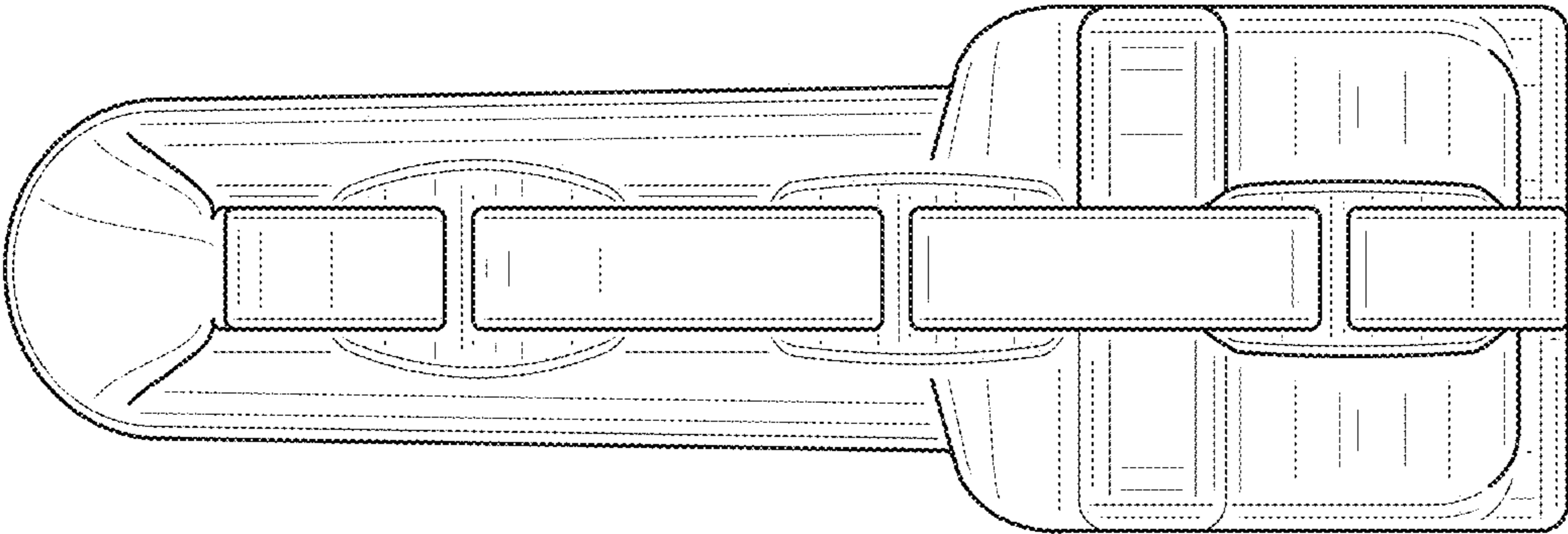


FIG. 2

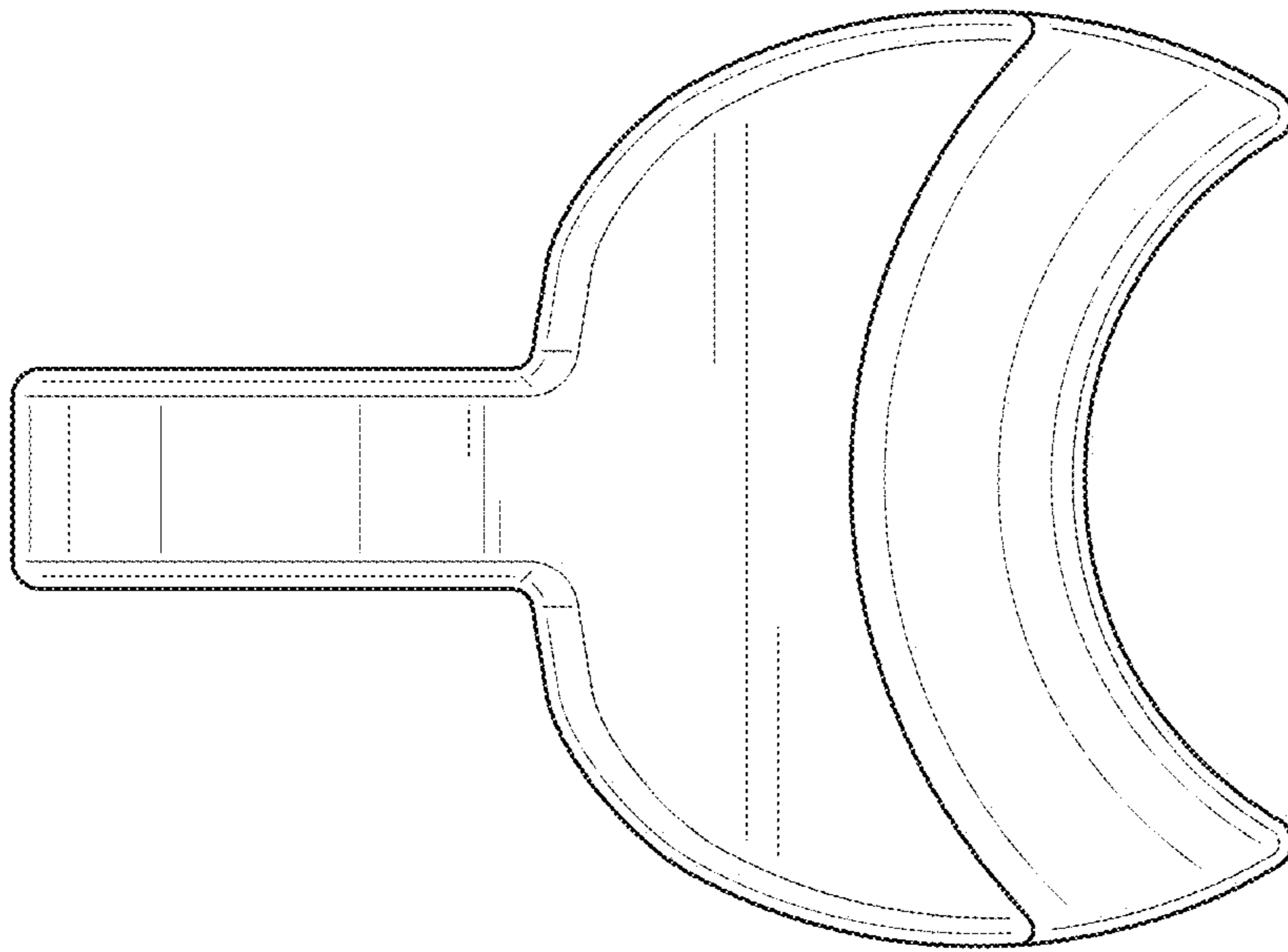


FIG. 3

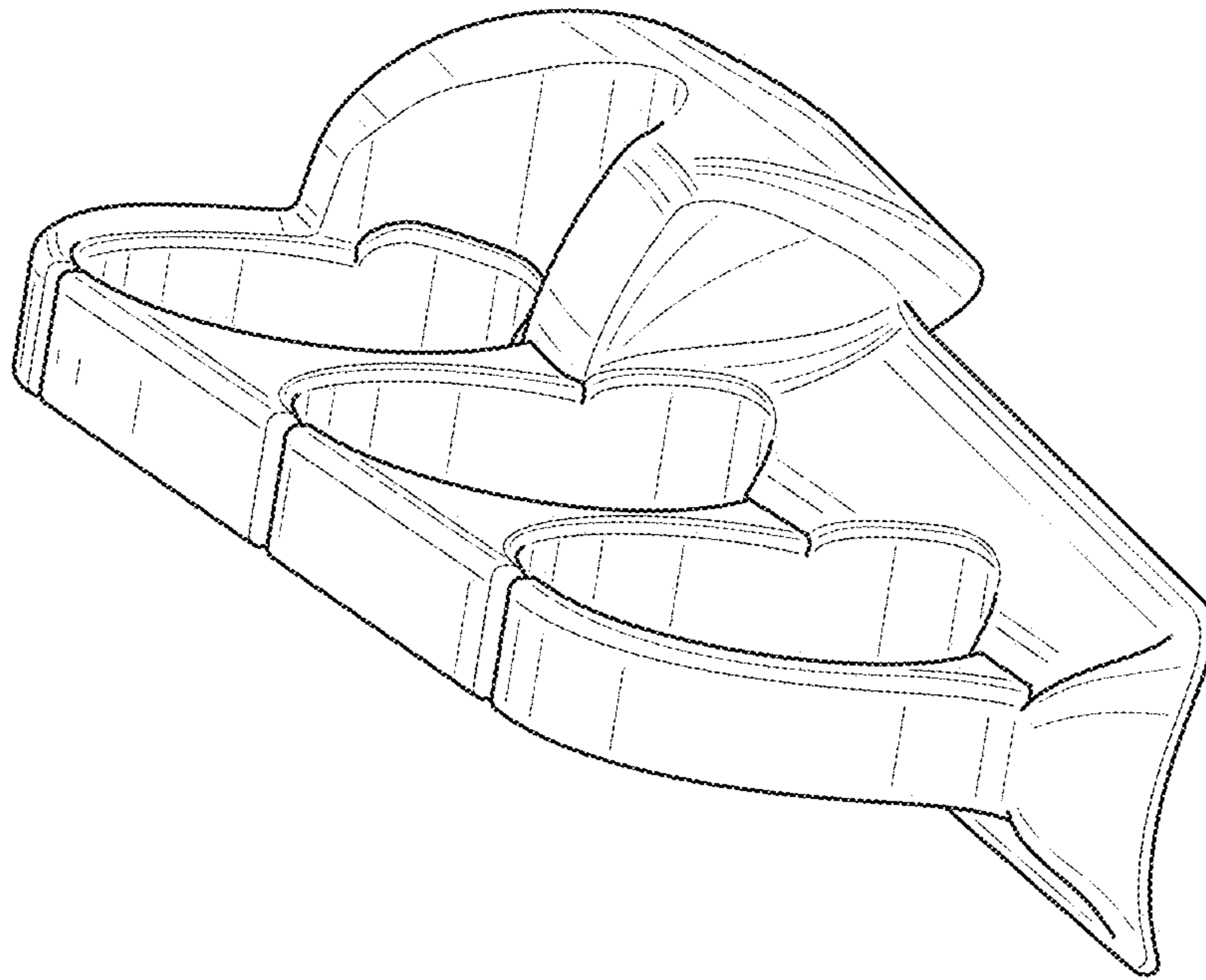


FIG. 4

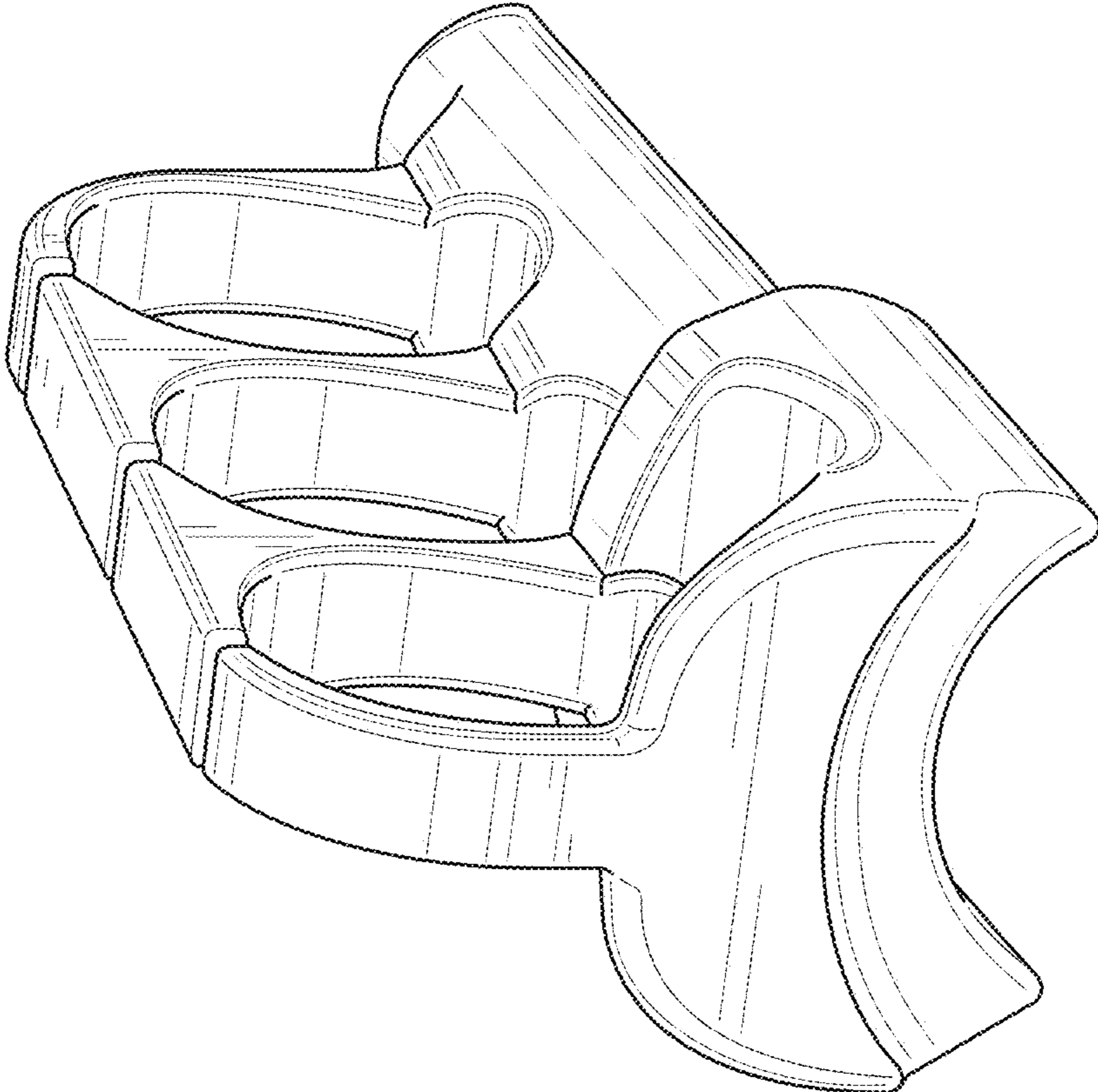


FIG. 5

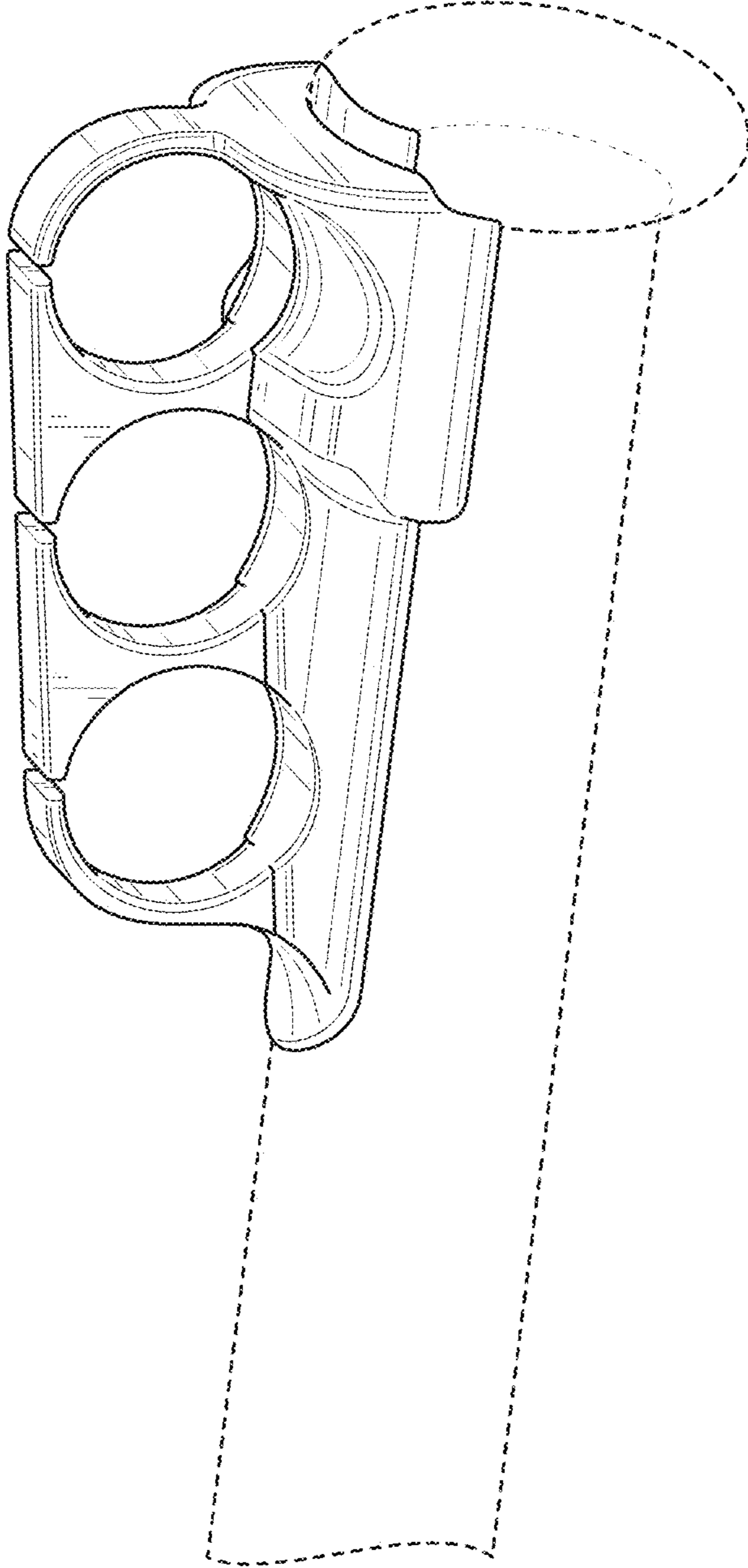


FIG. 6

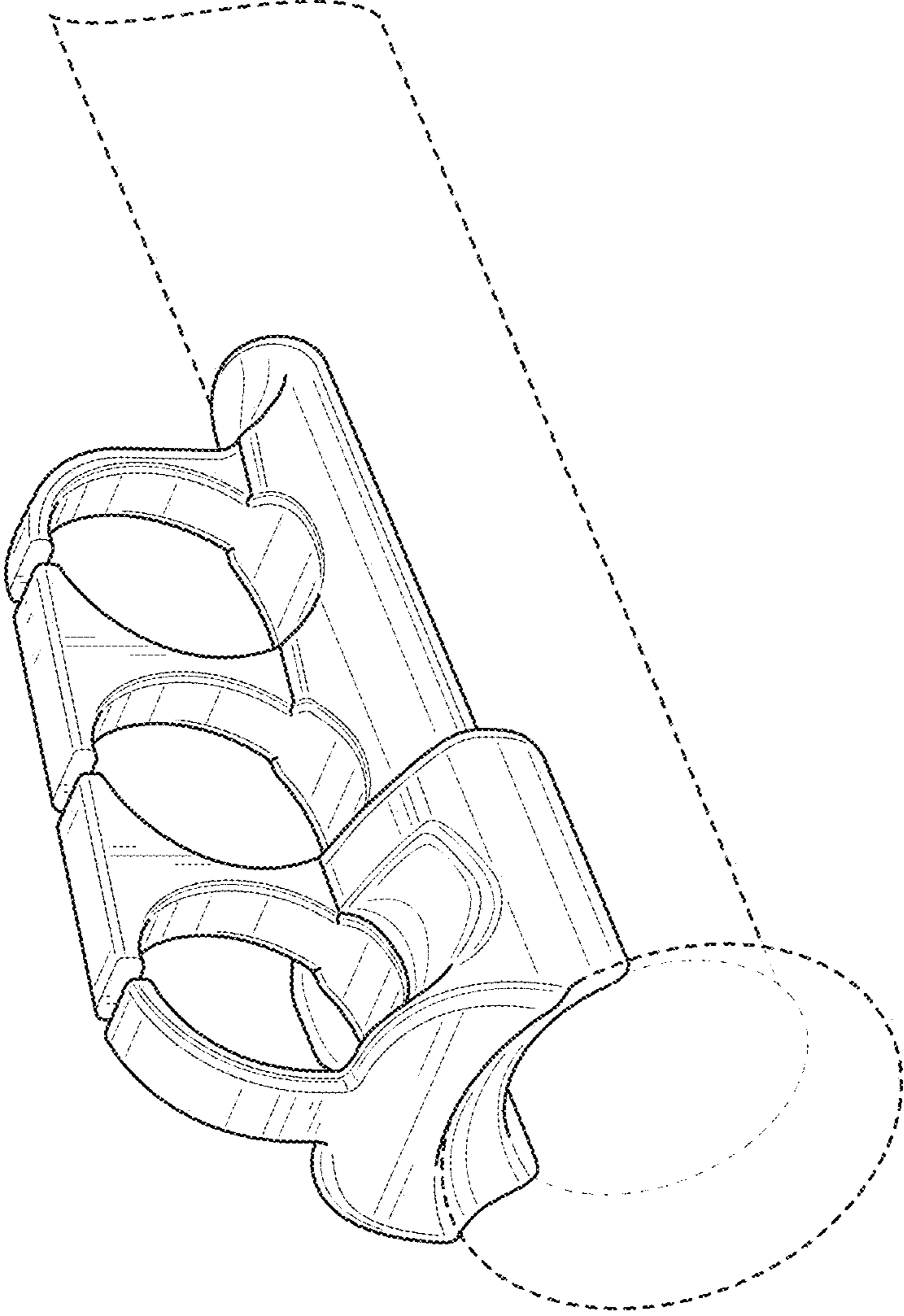


FIG. 7

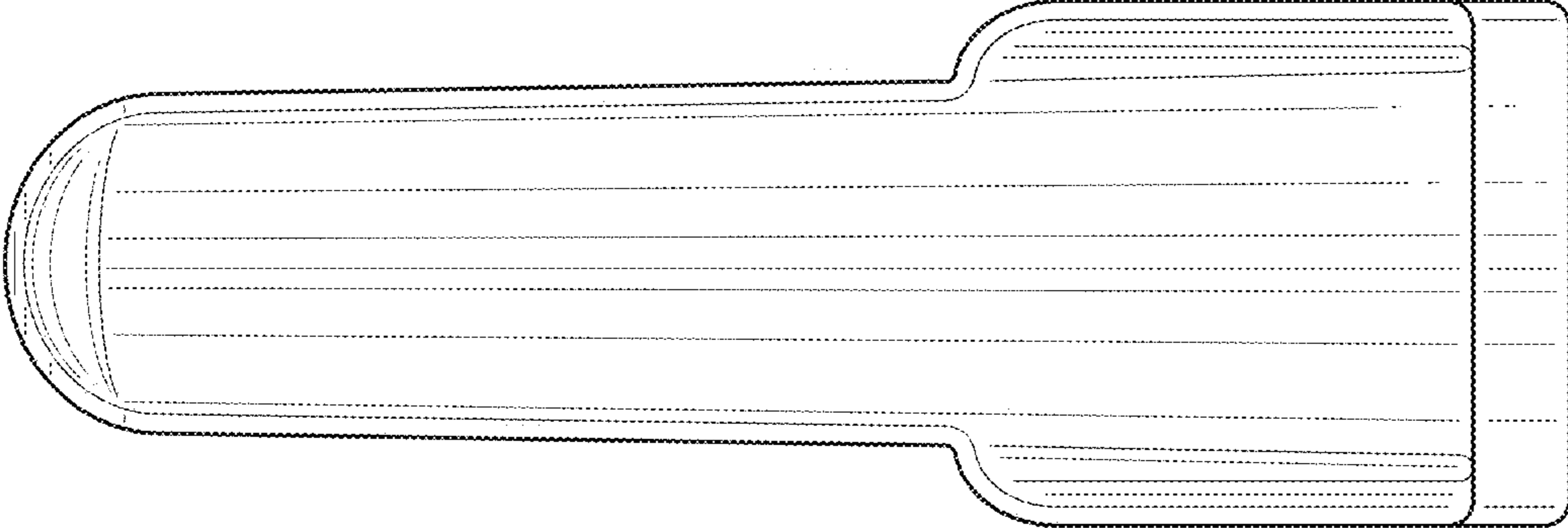


FIG. 8

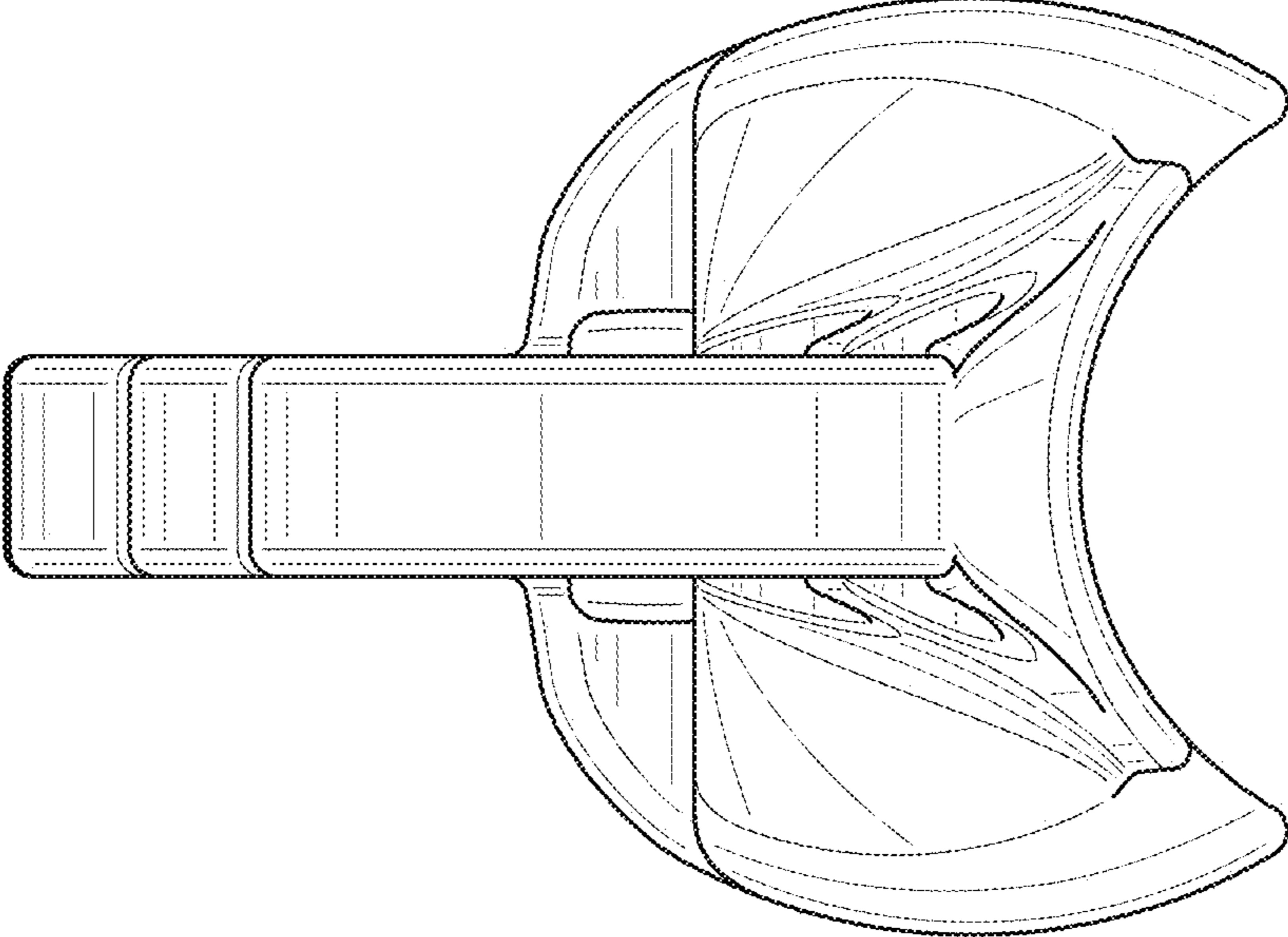


FIG. 9